

Foundations Worldwide, Inc.
 • 5216 Portside Dr., Medina, OH 44256 USA • PH: 330.722.5033 • FAX: 330.722.5037
 www.childcraftbaby.com

THIS IS THE ASSEMBLY INSTRUCTIONS FOR CRIBS SOLD IN THE UNITED STATES

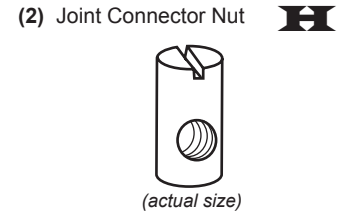
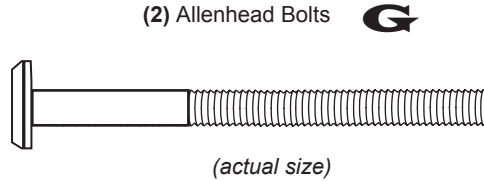
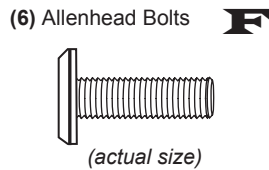
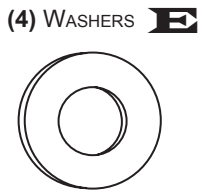
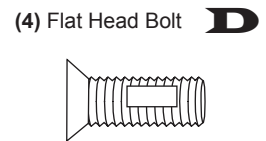
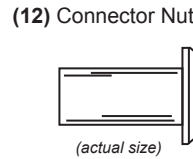
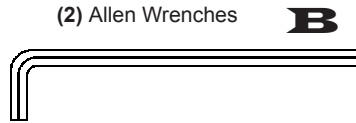
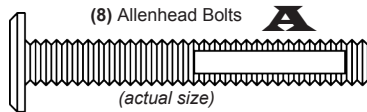
ASSEMBLY DIRECTIONS AND PARTS LIST

Directions for Maintenance, Cleaning, Storage and Use of your Crib are also included.

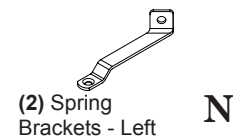
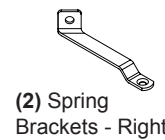
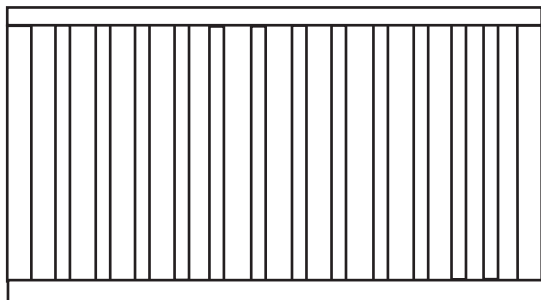
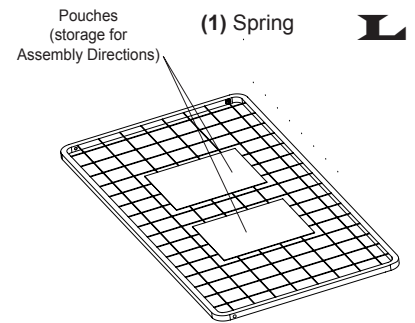
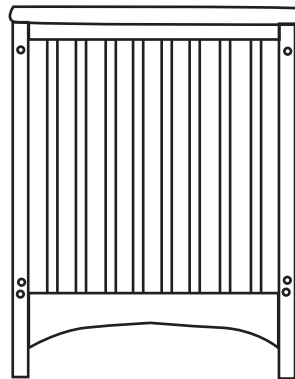
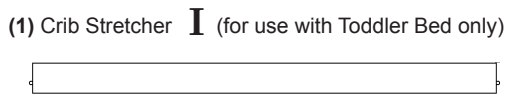
BEFORE STARTING THE ASSEMBLY PROCEDURE, READ ALL DIRECTIONS WITH CARE.
 YOU WILL NEED THE FOLLOWING FOR THE ASSEMBLY OF YOUR CRIB/TODDLER BED:

- ✓ #1 and #2 Phillip Screwdrivers
- ✓ Slotted Screwdriver
- ✓ Enclosed Allen Wrenches **B**

PARTS ENCLOSED IN HARDWARE BAG (NOTED WHEN SHOWN ACTUAL SIZE)



PARTS ENCLOSED IN CARTON



PREPARATION

Carefully remove and lay out all hardware and parts. During the assembly process, when using screws or bolts (fastening devices), check each with **PARTS ENCLOSED IN HARDWARE BAG** list by letter and size. Identify by placing each fastening device on the diagram of the item (sketched actual size). Be sure to use the proper size specified in the assembly directions. Hardware Bag may contain extra fastening devices. Check quantities and match to **PARTS ENCLOSED IN HARDWARE BAG/CARTON** lists. If a part is missing or broken, DO NOT return the product to your dealer. Call Foundations® for assistance at 877.716.2757 (U.S. Only) or 330.722.5033 (Monday through Friday, 9:00 a.m.– 4:00 p.m. Eastern Time). Before making this contact identify your crib. Model Identification numbers are stamped on a label attached to the inside face of a End Panel **X** bottom rail. Record the complete model identification number now: Include this number with a request for a part or literature for your crib. **DO NOT SUBSTITUTE PARTS!** # _____.

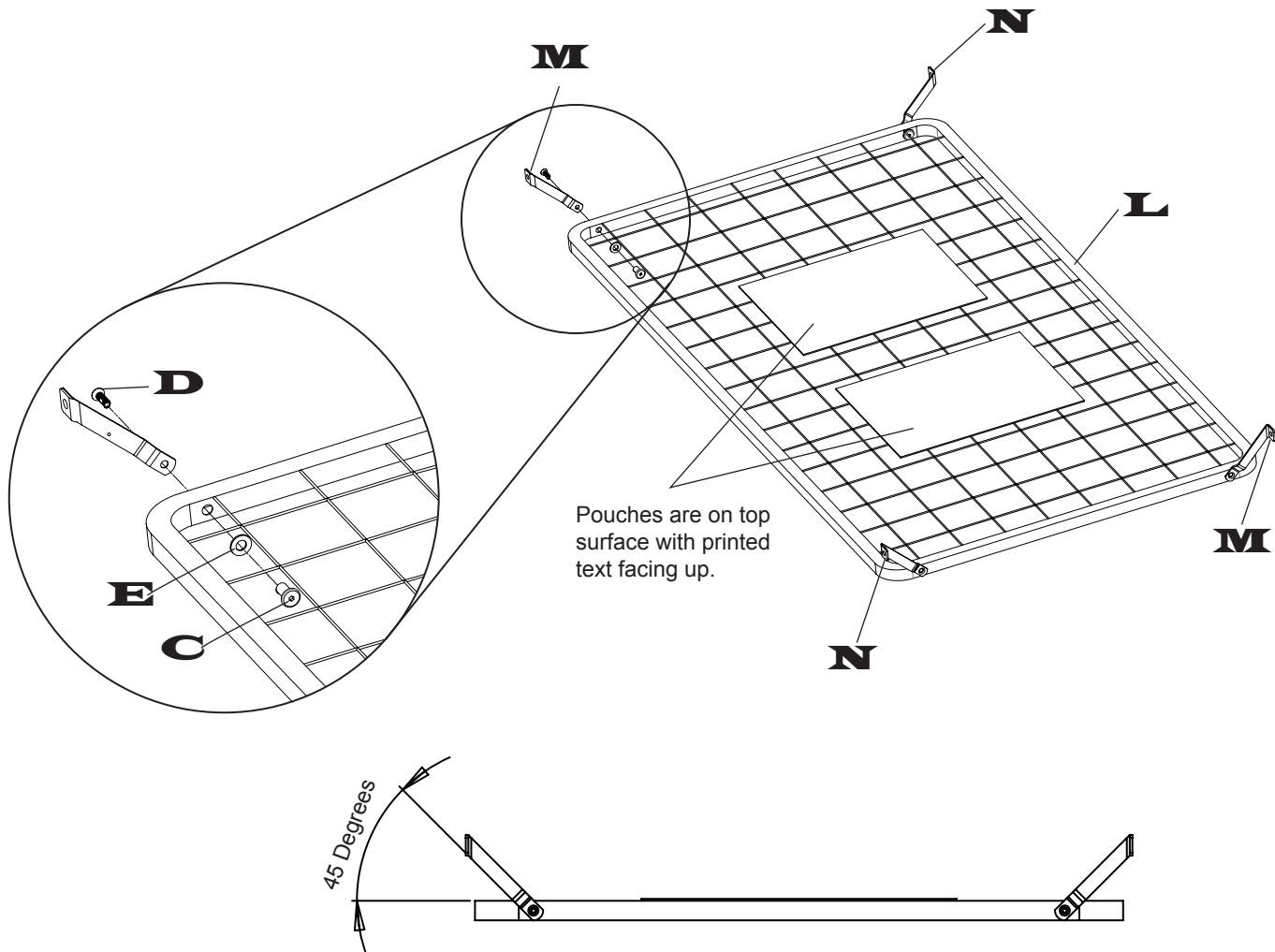
Meets CSPC Safety Requirements

STEP 1 - DIAGRAM 1: MOUNTING BRACKETS TO SPRING

Attach **Spring Bracket-Right (M)** and **Spring Bracket-Left (N)** to **Mattress Support Assembly (L)** using a **Flat Head Bolt (D)**, a **Washer (E)** and a **Connector Nut (C)**.

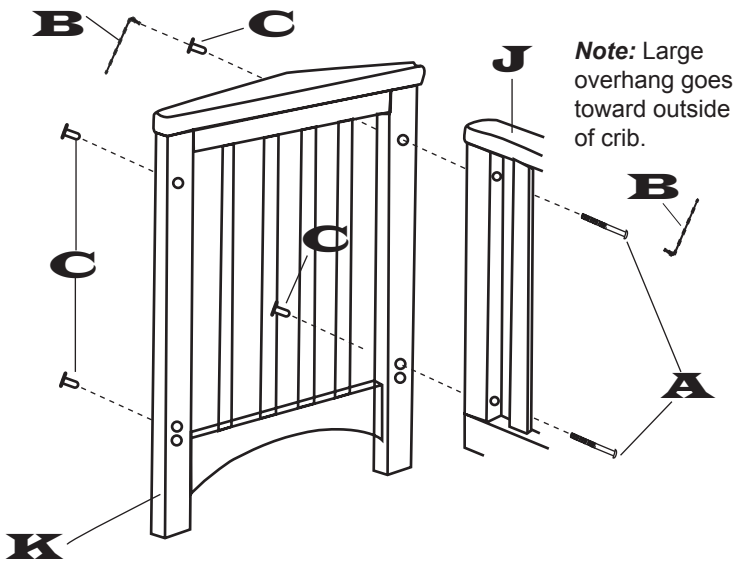
Note: Each **Flat Head Bolt (D)** has a friction enhancing patch applied to the threads which will cause some resistance during the tightening process.

Tighten each bracket until it is secure, but allows each bracket to be easily rotated by hand. Place each bracket at a 45 degree angle as shown.



STEP 2 - DIAGRAM 2: ATTACH STATIONARY SIDES TO FOOTBOARD/HEADBOARD

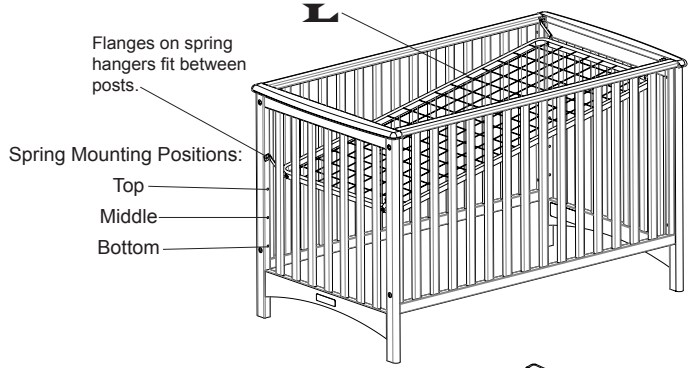
Place the (8) Connector Nuts **C** into their holes in the corner posts of End Panel **K** as shown. Align the holes in an end rail of a Stationary Side **J** with the holes in End Panel **K**. Insert Allenhead Bolts **A** through the end rail on Stationary Side **J**, then tighten into Connector Nuts **C** in End Panel **K** by using the two Allen Wrenches **B**. DO NOT OVERTIGHTEN. Repeat this process at the other three corner posts.



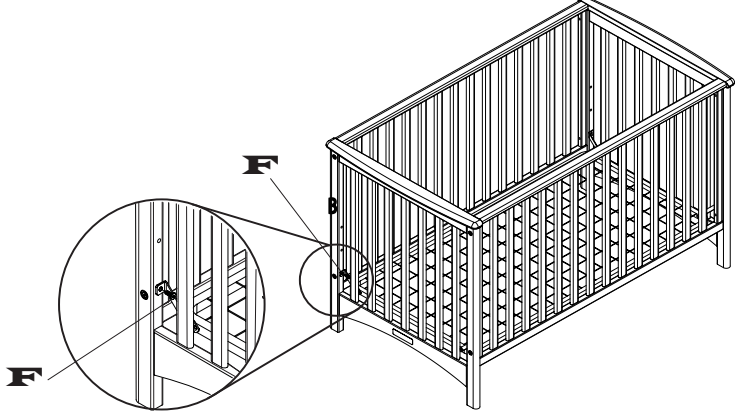
STEP 3 - DIAGRAM 3: ATTACH SPRING TO CRIB

Select the height position you want to mount the Spring Assembly **L**. Refer to warnings on page 6 and 7 before making this selection.

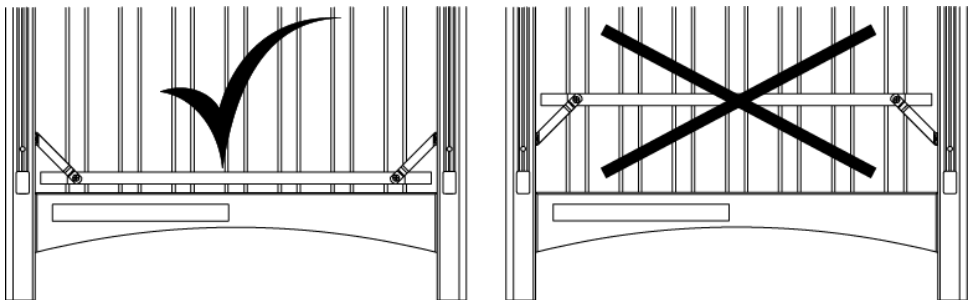
Carefully guide the Spring Assembly **L** from Step 1 down into the crib by first tilting the spring at approximately 10 degrees as shown. Position mounting flanges on spring hangers between the posts. Attach spring brackets to the crib posts using Bolt **F**.



Insert Bolt **F** through mounting hole in Spring Brackets **M** and **N** and thread into the factory installed insert located in each crib post using Allen Wrench **B**. Tighten securely. DO NOT OVERTIGHTEN.



To adjust height of Spring **L**, remove Bolts **F** and move Spring **L** to the other height locations shown in the diagram above. Install Bolts **F** as described above.



STEP 4: FINISHING TOUCHES

Place a purchased mattress on Spring **L**.

After completing crib assembly, review **Warnings** on page 7. Also review **Cautions, Cleaning, Storage, Use** and **Maintenance** of crib on pages 6 and 7. Store the assembly directions in the pouch which was pre-attached to Spring **L**. For future referral to assembly directions you will only need to remove them from the pouch. We caution you not to store excess hardware in pouch as this would be a danger to child if retrieved by him/her.

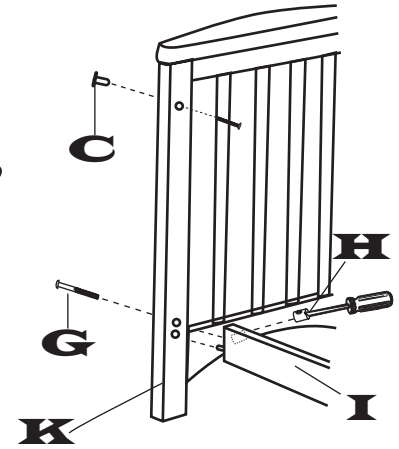
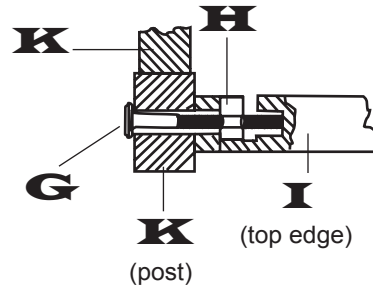
Check periodically to be sure screws and bolts (fastening devices) remain tight as instructed in warnings on page 7 of these assembly directions.



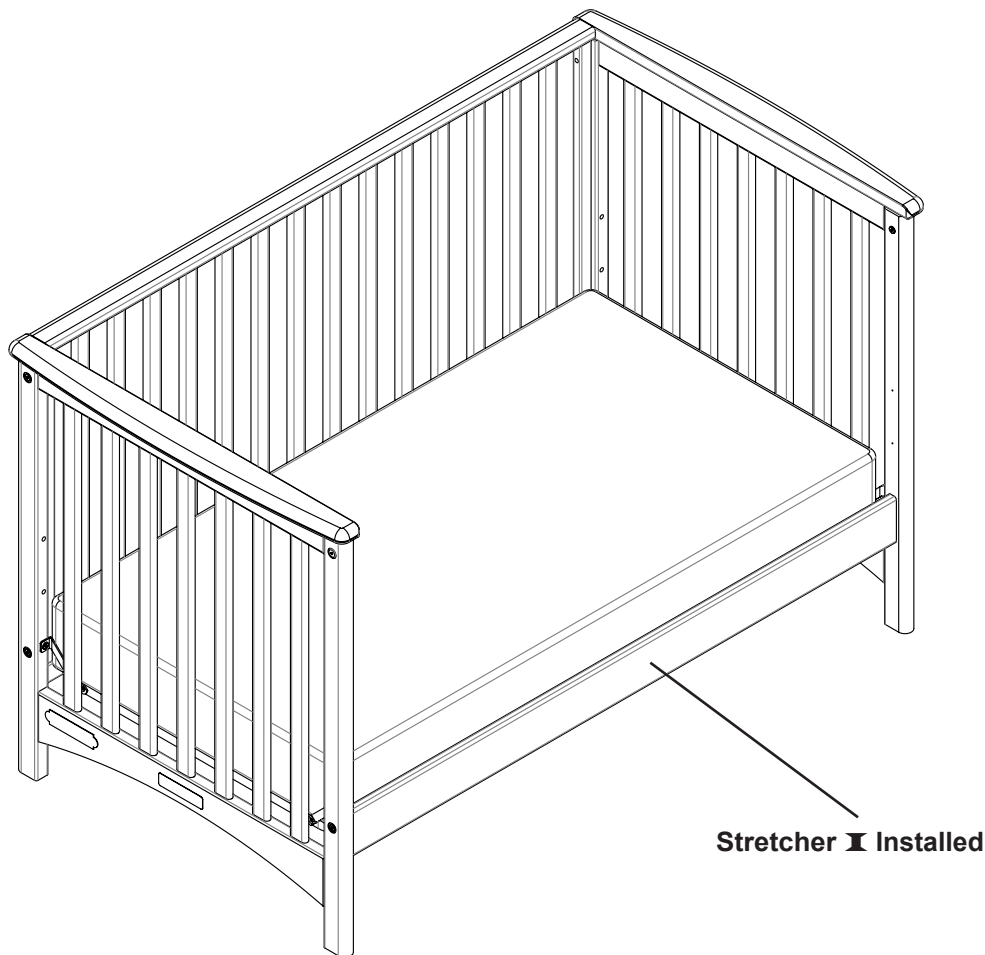
TODDLER BED CONVERSION

When use as a crib has been completed, you have the option to convert your crib to a toddler bed for years of additional use in your child's room. Remove one Stationary Side **J** and install Spring **L** in its lowest position. Store removed parts and hardware as perhaps sometime in the future you may want to convert the toddler bed back into a crib. Install Allenhead Bolt **F** and Connector Nut

C in top hole of each End Panel **K** post as shown and tighten securely. Locate the dowel pins in the ends of Stretcher **I** into their holes in End Panels **K**. Insert Allenhead Bolts **G** through their holes in End Panel **K** and into Stretcher **I** aligning the threaded hole in Joint Connector Nut **H**. You can use a flat tipped screwdriver in the slotted end of the Joint Connector Nut **H** to hold and rotate it to help to align it with the Allenhead Bolt **G**. Tighten securely. Review warnings on page 6. Place Assembly Directions back into the pouch attached to Spring **L**.



• **Again check to be sure each bolt is tightened securely, then check frequently to be sure all remain tightened.**



INSTALLING A GUARD RAIL

For added security, a guard rail can be purchased for this crib. Contact Foundations® or your dealer.

NOTE: Allen Head Bolt **A** and Connector Nuts **C** will be required to install the guard rail. Keep all parts and these instructions for future reference.

WARNING (For Toddler Bed)

⚠️ WARNING: INFANTS HAVE DIED IN TODDLER BEDS FROM ENTRAPMENT. Openings in and between bed parts can entrap head and neck of a small child. NEVER use bed with children younger than 15 months. ALWAYS follow assembly instructions.

⚠️ WARNING: STRANGULATION HAZARD: NEVER place bed near windows where cords from blinds or drapes may strangle a child. NEVER suspend strings over bed. NEVER place items with a string, cord or ribbon, such as hood strings or pacifier cords, around a child's neck. These items may catch on bed parts.

⚠️ CAUTION: ENTRAPMENT HAZARD: To avoid dangerous gaps, any mattress used in this bed shall be a full-size crib mattress at least 51 5/8 in. (1310 mm) in length, 27 1/4 in. (690 mm) in width, and 4 in. (100 mm) in thickness.

- The users maximum weight shall not be greater than 50 lbs. (22.7 kg).
- Mattress MUST be moved into lowest position for proper positioning behind stretcher.
- This crib contains all components necessary to convert to a toddler bed. However, a guardrail may be available for purchase to provide additional security. Contact Foundations® for assistance. Refer to maintenance section for contact information.

MAINTENANCE OF YOUR CRIB/TODDLER BED: Upon completion of the assembly, check to ensure that all screws, bolts and fastening devices have been tightened securely. There should be a frequent check of this product for damaged hardware, loose joints, missing parts or sharp edges before and after assembly and frequently during use. **DO NOT** use crib if any parts are missing or broken. If any parts are missing or broken or you need assistance with assembly, **DO NOT** return the product to your dealer. Call Foundations® for assistance at 877.716.2757 (U.S. Only) or 330.722.5033 (Monday through Friday, 9:00 a.m.– 4:00 p.m. Eastern Time) for replacement parts and instructional literature if needed. Include model identification numbers which you recorded on page 2. **DO NOT** substitute parts.

CLEANING INSTRUCTIONS FOR YOUR CRIB/TODDLER BED: Mix together a mild solution of gentle dishwashing liquid and water, apply to surface using a soft clean cloth lightly dampened in the solution. Rinse with clear water again using a soft clean cloth, then dry all surfaces thoroughly with a soft dry cloth. **NO ABRASIVE CLEANERS, SCOURING PADS, STEEL WOOL, OR COARSE RAGS SHOULD BE USED TO CLEAN THIS FINE FURNITURE.**

STORAGE AND USE OF YOUR CRIB/TODDLER BED: A printed pouch is attached to the crib spring for the permanent storage of the assembly directions. After completing the assembly process you are advised to read and be aware of all **WARNINGS, CAUTIONS, CLEANING, STORAGE, USE AND MAINTENANCE** notices contained in this set of directions and printed on the pouch located on the crib spring. You will then place the complete set of assembly directions into the pouch for future referral. We caution you not to place excess hardware in the pouch as it could present danger to a child if retrieved. When storing crib use **CAUTION** as extreme temperature or humidity changes could be harmful. Use **CAUTION** when a vaporizer is in use, always aim vapor stream away from crib as well as away from any wood furniture item.

CAUTION

- ANY MATTRESS USED IN THIS CRIB SHALL BE AT LEAST 27 1/4 BY 51 5/8 IN. WITH A THICKNESS NOT EXCEEDING 6 IN. IF YOUR CRIB IS DESIGNED TO CONVERT TO A TODDLER BED, THE MATTRESS MUST BE AT LEAST 4 IN. (100 MM) THICK.
- UPON COMPLETION OF ASSEMBLY BE SURE ALL SCREWS, BOLTS AND FASTENING DEVICES HAVE BEEN TIGHTENED SECURELY. A FREQUENT CHECK SHOULD BE MADE OF ALL SCREWS, BOLTS AND FASTENING DEVICES AND TIGHTEN IF NEEDED.

⚠️ WARNING

• **FAILURE TO FOLLOW THESE WARNINGS AND THE ASSEMBLY INSTRUCTIONS COULD RESULT IN SERIOUS INJURY OR DEATH.**

⚠️ WARNING: Infants can suffocate on soft bedding. **NEVER** add a pillow or comforter. **NEVER** place additional padding under an infant.

- Read all instructions before assembling crib. Keep instructions for future use. A pouch is attached to crib for permanent storage of the instructional literature.
- To reduce the risk of SIDS pediatricians recommend healthy infants be placed on their backs to sleep, unless otherwise advised by your physician.
- Strings can cause strangulation! **DO NOT** place items with a string around a child's neck, such as hood strings or pacifier cords. **DO NOT** suspend strings over a crib or attach strings to toys.
- To help prevent strangulation, tighten all fasteners. A child can trap parts of the body or clothing on loose fasteners.
- **DO NOT** place crib near window where cords from blinds or drapes may strangle a child.
- When child is able to pull to standing position, set mattress to lowest position and remove bumper pads, large toys and other objects that could serve as steps for climbing out.
- Stop using crib when child begins to climb out or reaches the height of 35 in. (89 cm).
- After raising side, make sure latches are secure (if your unit has a moveable side).
- **DO NOT** leave child in crib with side lowered. Be sure side is in raised and locked position whenever child is in crib (if your crib has a moveable side).
- Check this product for damaged hardware, loose joints, loose bolts or other fasteners, missing parts or sharp edges before and after assembly and frequently during use. Securely tighten bolts and other fasteners. **DO NOT** use crib if any parts are missing, damaged or broken. If any parts are missing or broken or you need assistance with assembly, **DO NOT** return the product to your dealer. Call Foundations® for assistance at 1 877.716.2757 (U.S. Only) or +1 330.722.5033 (Monday through Friday, 9:00 a.m.– 4:00 p.m. Eastern Time) for replacement parts and instructional literature if needed. Include model identification numbers with your request which you recorded on page 2. **DO NOT** substitute parts.
- Replace teething rail(s) if damaged, cracked, or loose (if equipped with teething rails).
- If refinishing, use a non-toxic finish specified for children's products.
- Follow warnings on all products in a crib.
- **NEVER** use plastic shipping bags or other plastic film as mattress covers because they can cause suffocation.
- Infants can suffocate in gaps between crib sides and a mattress that is too small.
- **DO NOT** use a water mattress with this crib.
- When disassembling this crib, **DO NOT** remove any item attached with wood screws.



5216 Portside Dr.
 Medina, OH 44256 USA
 Telephone: 1 877.716.2757 (U.S. Only)
 or 330.722.5033
 Fax: 330.722.5037
www.childcraftbaby.com