



CHILD CRAFT INDUSTRIES, INC.

P.O. Box 444, Salem, IN USA 47167-0444

PH: 812-883-3111 - FAX: 812-883-1819 - <http://www.childcraftind.com>

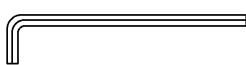
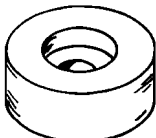

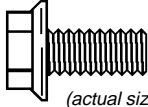

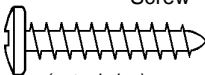
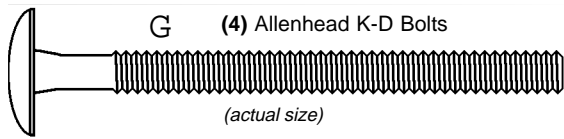
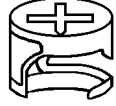
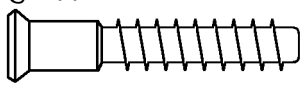
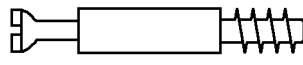
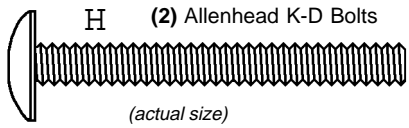
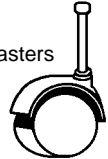
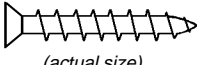
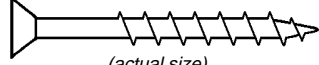
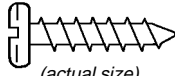
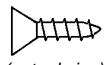
Thank you for choosing Child Craft. This crib was designed for your child's comfort and your convenience. Quality material and workmanship have been utilized in the construction of this unit which will provide a sound and comfortable bed for your baby if properly assembled and maintained. When use as a crib has been completed you have the option to convert to a "Daybed". For the security of your child do not make any additional alteration to this crib other than the conversion to a daybed option included in this set of assembly directions. Read and Observe all Warning and Caution statements as well as Maintenance, Cleaning, Storage and Use directions.

ASSEMBLY DIRECTIONS AND PARTS LIST

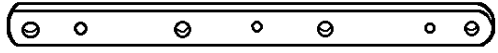
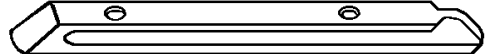
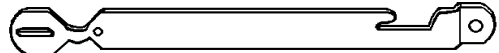
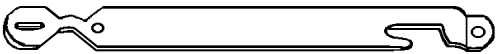
Φ **READ ALL INSTRUCTIONS WITH CARE BEFORE STARTING THE ASSEMBLY PROCEDURE.**

Φ **YOU WILL NEED A #2 PHILLIPS SCREWDRIVER, A STANDARD SLOTTED SCREWDRIVER, 10MM WRENCH AND ENCLOSED ALLEN WRENCH.**


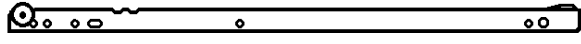
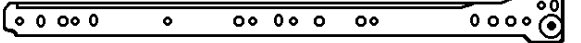
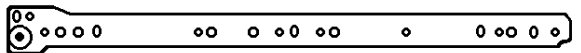
PARTS ENCLOSED IN HARDWARE BAG (Noted when shown actual size) DO NOT SUBSTITUTE PARTS!

<p>A (1) Allen Wrench</p> 	<p>B (2) Rubber Washers</p>  <p>(actual size)</p>	<p>C (2) RH Slotted/Phillips Machine Screws</p>  <p>(actual size)</p>	<p>D (4) Hexhead Machine Screws</p>  <p>(actual size)</p>
<p>E (6) K/D Bolt Plugs</p>  <p>(actual size)</p>	<p>F (1) Panhead Screw</p>  <p>(actual size)</p>	<p>G (4) Allenhead K-D Bolts</p>  <p>(actual size)</p>	<p>I (5) Cam Locks</p>  <p>(actual size)</p>
<p>J (2) Joint Connector Screws</p>  <p>(actual size)</p>	<p>K (5) Threaded Connectors</p>  <p>(actual size)</p>	<p>H (2) Allenhead K-D Bolts</p>  <p>(actual size)</p>	<p>X (4) Casters</p> 
<p>Y (4) Flathead Phillips Wood Screws</p>  <p>(actual size)</p>	<p>B B (6) Flathead Phillips Wood Screws</p>  <p>(actual size)</p>	<p>C C (16) Roundhead Phillips Wood Screws</p>  <p>(actual size)</p>	<p>L L (6) Flathead Phillips Wood Screws</p>  <p>(actual size)</p>

PARTS ENCLOSED IN INNER PACK HARDWARE BAG:

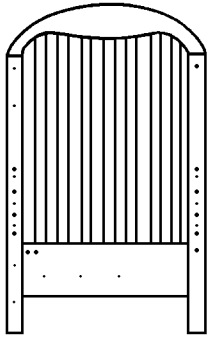
<p>D D (4) 4-Position Spring Brackets</p> 
<p>E E (2) Upper Tracks</p> 
<p>F F (1) Lower Track Assembly (Right)</p> 
<p>G G (1) Lower Track Assembly (Left)</p> 

PARTS ENCLOSED IN INNER PACK HARDWARE BAG:

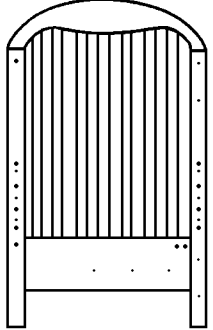
<p>H H (1) Metal Drawer Rail - Right</p> 
<p>I I (1) Metal Drawer Rail - Left</p> 
<p>J J (1) Drawer Cabinet Rail - Right</p> 
<p>K K (1) Drawer Cabinet Rail - Left</p> 

PARTS ENCLOSED IN CARTON:

L (1) Headboard

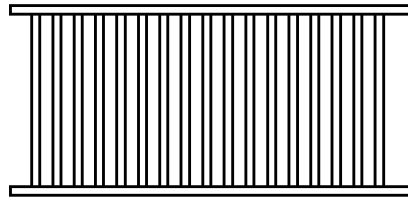


M (1) Footboard

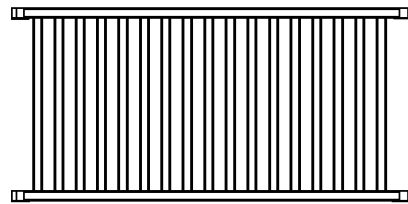


N (1) Stationary Side

(longer than Dropside O and not affixed with plastic hardware)

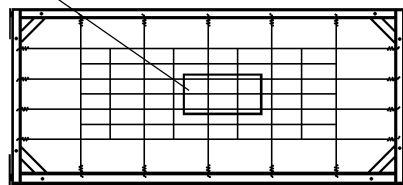


O (1) Dropside

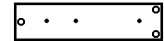


P (1) Spring

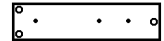
Plastic Pouch



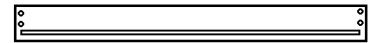
Q (1) Drawer End - Right



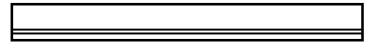
R (1) Drawer End - Left



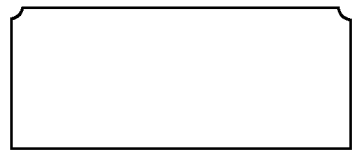
S (1) Drawer Front



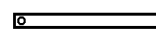
T (1) Drawer Back



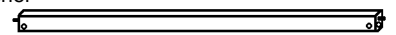
U (1) Drawer Bottom



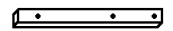
V (1) Support Rail



W (1) Stretcher



M (2) Wood Drawer Rails



PREPARATION

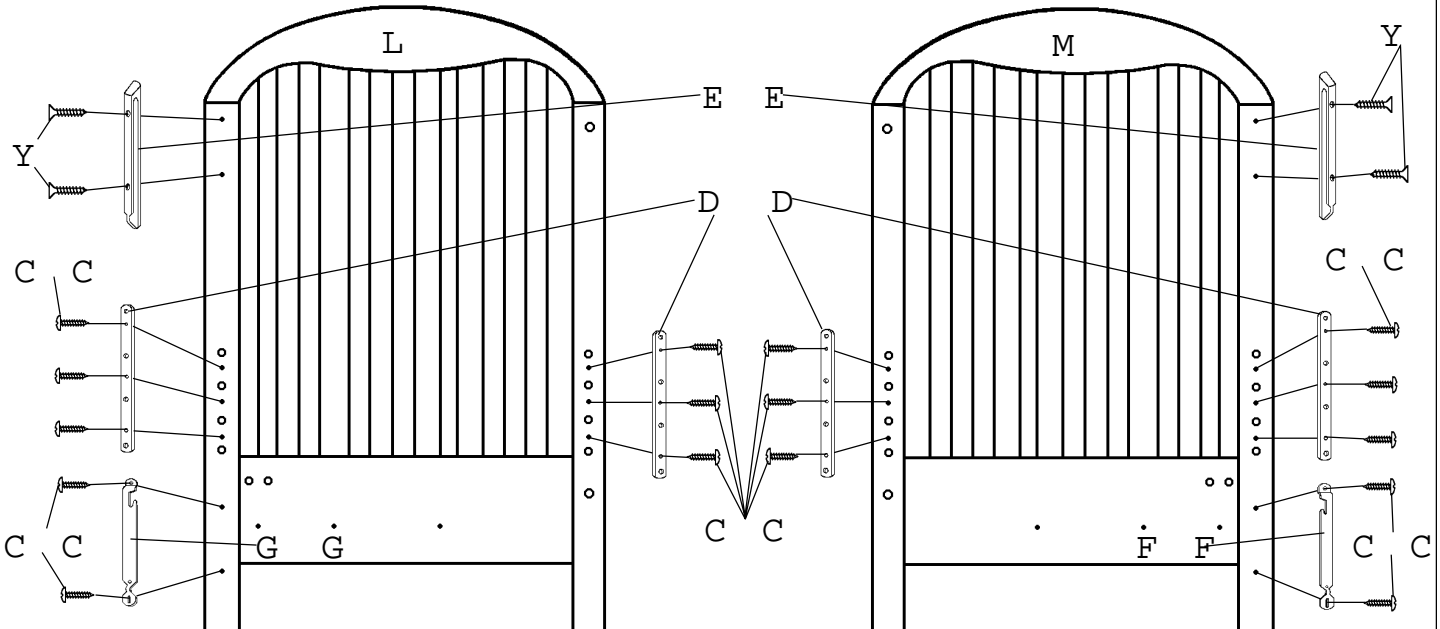
Carefully remove and lay out all hardware and parts. During the assembly process whenever using screws or bolts (fastening devices), check each with Hardware Parts List (page 1), letter and size identify by placing the fastening device directly over the item which is sketched actual size. Be sure to use the proper size fastening device specified in the assembly directions. Check quantities and match to **Hardware Bag** and **Carton Parts Lists**. If a part is missing or broken contact your dealer or Child Craft, P.O. Box 444, Salem, IN 47167-0444 (PH: 812/ 883-3111 FAX: 812-883-1819), for a replacement part or instructional literature. Before making this contact identify your crib model number. Model identification numbers are stamped on the inside face or bottom edge of Headboard **L** or Footboard **M**, or to a label affixed to the inside bottom rail of Footboard **M**. Make note of all identification numbers and include this information with your request.

DO NOT SUBSTITUTE PARTS! Record your Crib model identification number for future reference: _____

STEP 1 - DIAGRAM 1: ATTACH HARDWARE TO FOOTBOARD & HEADBOARD

Attach (1) Upper Track **EE** to Footboard **M** using (2) Flathead Phillips Wood Screws **Y** see **Diagram**.

Attach (2) 4-Position Spring Brackets **DD** using (3) Roundhead Phillips Wood Screws **CC** in each as shown in **Diagram**. Next install the (1) Lower Track Assembly -Right **FF** using (2) Roundhead Phillips Wood Screws **CC**, again refer to **Diagram** for proper placement. Tighten all screws securely. Follow the same procedure to attach hardware **EE**, **DD** and **GG** using screws **Y** and **CC** as shown to Headboard **L**. **Check all screws and bolts periodically and tighten when needed.**

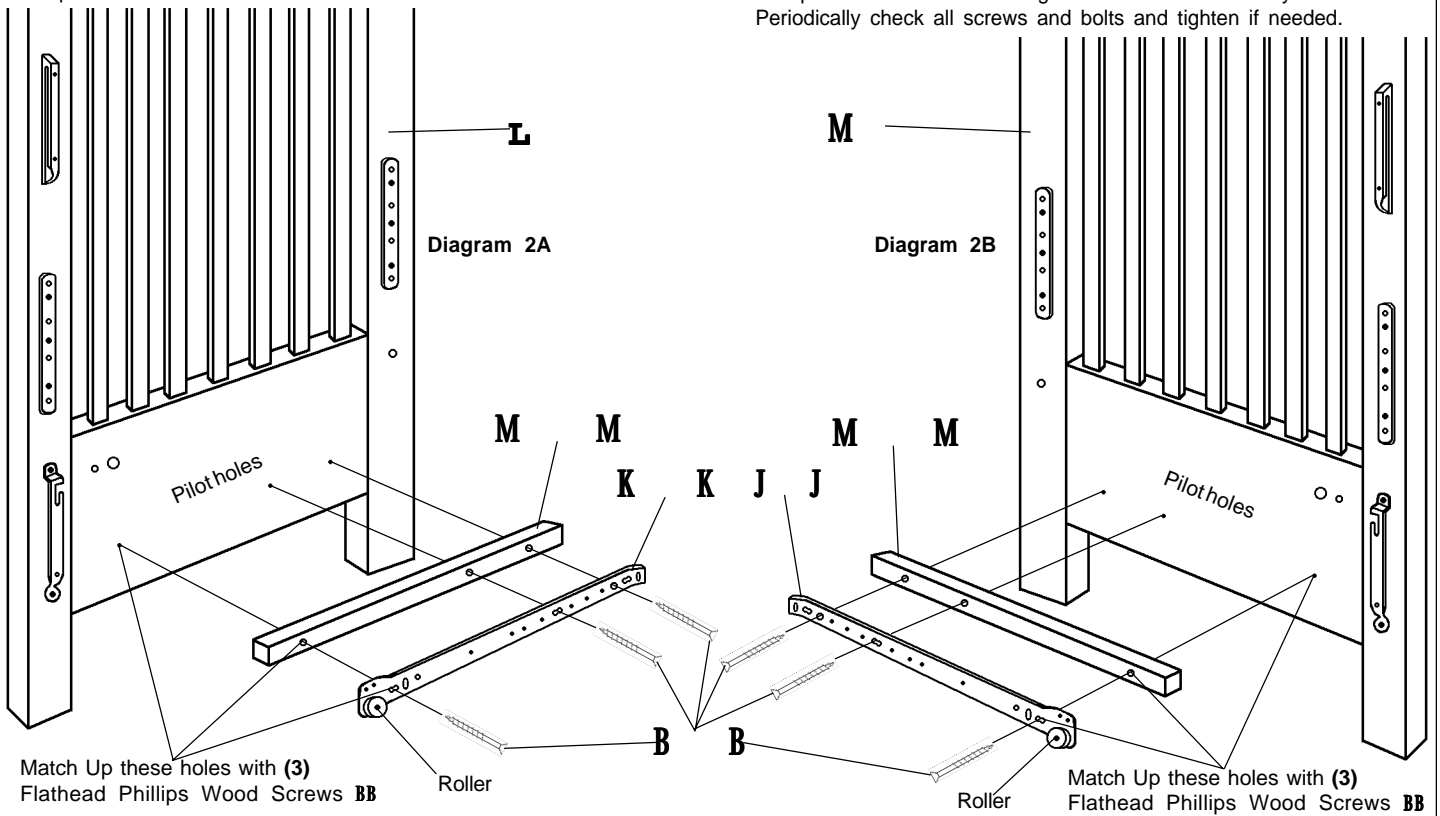


Note: All screws have factory bored pilot holes to start the screws (pilot holes shown in diagrams).

STEP 2 - DIAGRAM 2: ATTACH WOOD DRAWER RAILS AND DRAWER "CABINET" RAILS FOOTBOARD AND HEADBOARD.

Follow **Diagram 2A** exactly for installing Wood Drawer Rail **MM** and Drawer "Cabinet" Rail - Left **KK** to Headboard **L** using (3) Flathead Phillips Wood Screws **BB**.

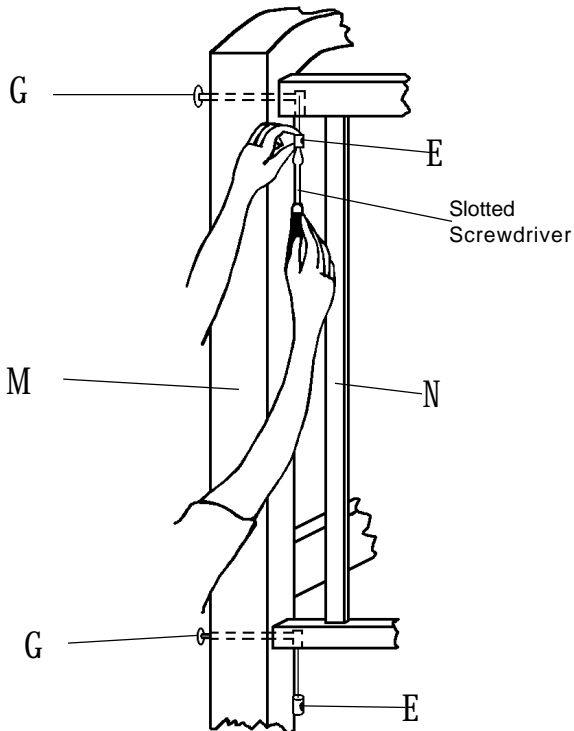
Follow **Diagram 2B** exactly for installing Wood Drawer Rail **MM** and Drawer "Cabinet" Rail -Right **JJ** to Footboard **M** using (3) Flathead Phillips Wood Screws **BB**. Tighten all screws securely at this time. Periodically check all screws and bolts and tighten if needed.



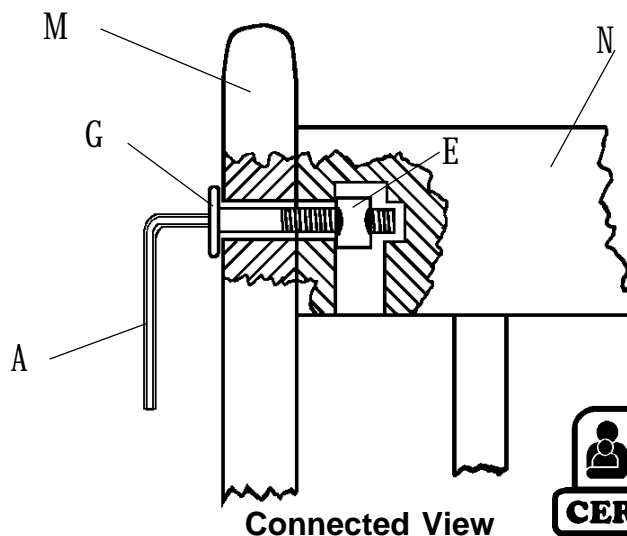
STEP 3 - DIAGRAM 3: ATTACH STATIONARY SIDE TO HEADBOARD AND FOOTBOARD.

Dropside O, in alignment and allow Allenhead K-D Bolts **G** to continue into ends of top and bottom rails of Stationary Side Assembly **N**. Insert four of the K-D Bolt Plugs **E** as shown in **Diagrams**. Pull out each Allenhead K-D Bolt **G** just enough to allow the K-D Bolt Plug **E** to be fully inserted in hole. **TIGHTEN ALL FOUR ALLENHEAD K-D BOLTS G UNTIL SECURE USING ALLENHEAD WRENCH A (enclosed) WHILE SECURING K-D BOLT PLUGS E WITH A STANDARD SLOTTED SCREWDRIVER. CAUTION: DO NOT OVERTIGHTEN.**

Insert each of the four Allenhead K-D Bolts **G** into receiving holes from outside face of corner posts of Headboard **L** and Footboard **M**, refer to **Diagrams** for proper placement. Place Stationary Side Assembly **N**, (which is 1" longer than *Dropside O*), in alignment and allow Allenhead K-D Bolts **G** to continue into ends of top and bottom rails of Stationary Side Assembly **N**. Insert four of the K-D Bolt Plugs **E** as shown in **Diagrams**. Pull out each Allenhead K-D Bolt **G** just enough to allow the K-D Bolt Plug **E** to be fully inserted in hole. **TIGHTEN ALL FOUR ALLENHEAD K-D BOLTS G UNTIL SECURE USING ALLENHEAD WRENCH A (enclosed) WHILE SECURING K-D BOLT PLUGS E WITH A STANDARD SLOTTED SCREWDRIVER. CAUTION: DO NOT OVERTIGHTEN.**

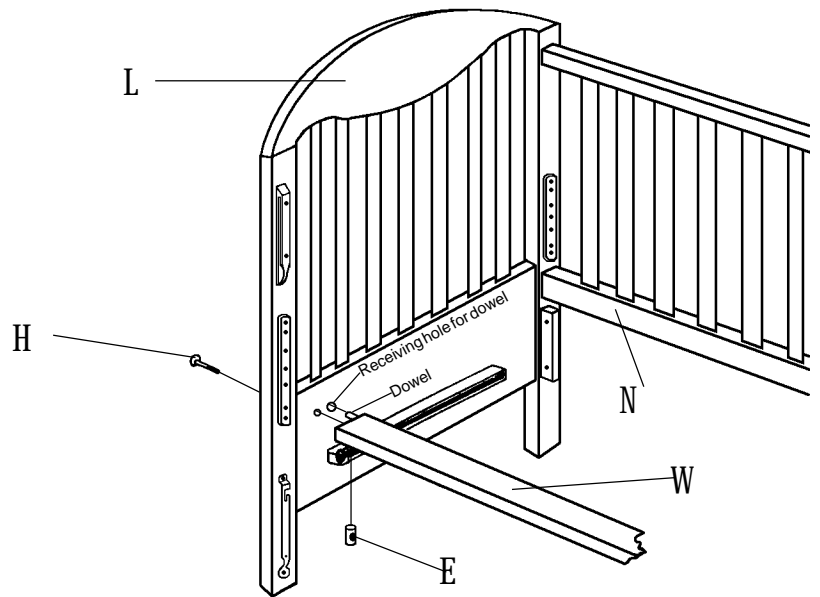


MAINTENANCE: CHECK BOLTS AND SCREWS (FASTENING DEVICES) PERIODICALLY AS LONG AS YOUR CRIB IS IN USE, AND TIGHTEN IF NEEDED.

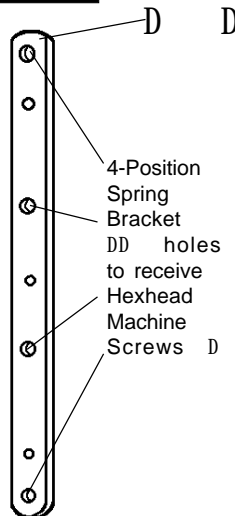


STEP 4 - DIAGRAM 4: INSTALL STRETCHER

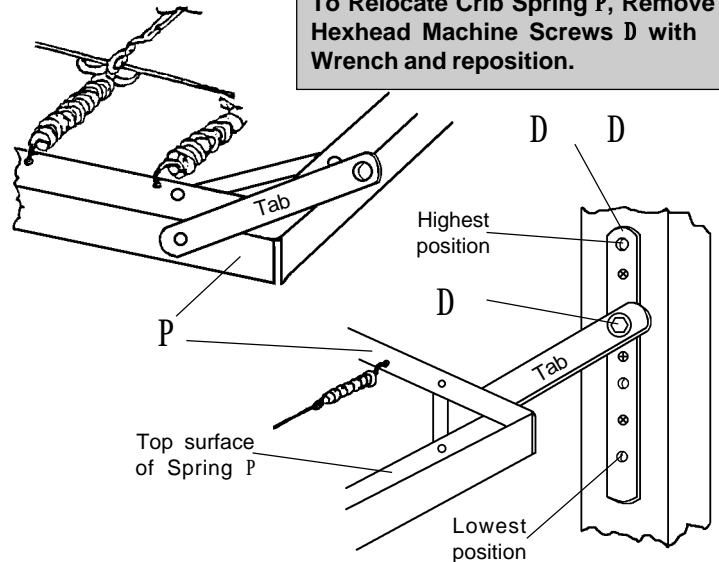
Locate Stretcher **W**, the remaining (2) K-D Bolt Plugs **E** and the (2) Allenhead K-D Bolts **H**. Insert the dowel on the ends of the Stretcher **W** into the receiving holes located on the inside face of the bottom rail of Headboard **L** and Footboard **M**, see **Diagram**. Insert an Allenhead K-D Bolt **H** into its receiving hole from the outside face of Headboard **L** and Footboard **M** as shown. Insert a K-D Bolt Plug **E** into the hole near each end of Stretcher **W**. Pull out each Allenhead K-D Bolt **H** just enough to allow the K-D Bolt Plug **E** to be fully inserted in the hole. Tighten Allenhead K-D Bolts **H** at each end of Stretcher **W** until secure using Allen Wrench **A** (enclosed), while securing K-D Bolt Plug **E** with a standard slotted screwdriver, **Note**: this is the same process you just performed in **Step 3**. **CAUTION: DO NOT OVERTIGHTEN K-D BOLTS H.**

**STEP 5 - DIAGRAM 5: INSTALL CRIB SPRING**

Locate Crib Spring **P** with (4) Tabs. Refer to **Diagrams**. **Note**: Be sure smooth side of Crib Spring **P** wire is placed upward as illustrated. Position the (4) Tabs attached to ends of Crib Spring **P** to mount to selected position in the 4-Position Spring Brackets **DD** which you installed to Headboard **L** and Footboard **M** in **Step 1**. Select a position and install a Hexhead Machine Screw **D** through each of the (4) Crib Spring **P** Tabs and into a receiving hole in each 4-Position Spring Bracket **DD**, then tighten securely with a 10 mm (3/8 inch) wrench. When you decide on another placement of Crib Spring **P** you will need to remove the (4) Hexhead Machine Screws **D** with a 10 mm 3/8 inch wrench and relocate to another of the four positions. Check Hexhead Machine Screws **D** periodically and tighten if needed.



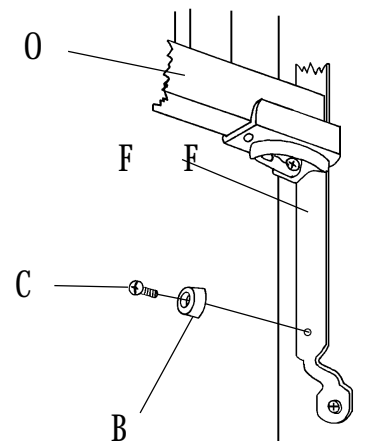
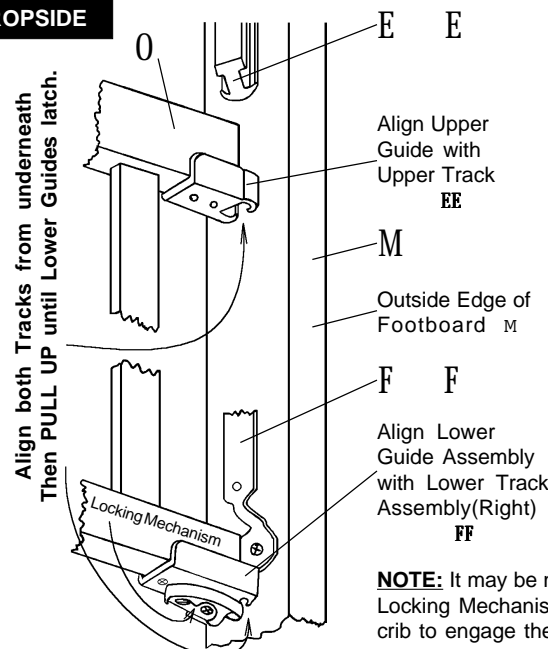
To Relocate Crib Spring **P**, Remove Hexhead Machine Screws **D** with Wrench and reposition.

**STEP 6 - DIAGRAM 6: ATTACH DROPSIDE**

Align Dropside **O**, from underneath, with dropside hardware mounted on post. When aligned "Pull" Dropside **O** "UP" until Lower Guides **FF/GG** latch. See **Diagram**.

After Dropside **O** is installed on the Tracks and is latched in the "UP" position, insert a Machine Screw **C** into a Rubber Washer **B** and thread into empty hole near bottom on Lower Track Assembly **FF/GG** mounted to both Headboard **L** and Footboard **M** as shown. Tighten Machine Screws **C** securely.

TO LOWER DROPSIDE O, FIRST-LIFT THE DROPSIDE, SECOND-PUSH IN ON CENTER OF THE BOTTOM RAIL ON DROPSIDE O WITH YOUR KNEE. TO RAISE DROPSIDE O PULL "UP" UNTIL LOWER GUIDE RAIL LATCHES. ALWAYS BE SURE CRIB DROPSIDE LATCHES!



NOTE: It may be necessary to Flex Locking Mechanism toward outside of crib to engage the Lower Track

STEP 7: INSTALL CASTERS

Install Casters: Locate the (4) Casters X, insert each into a lower corner post of Headboard L/ Footboard M. Refer to **Sketch A**. (Caster X design may vary according to your particular model.)

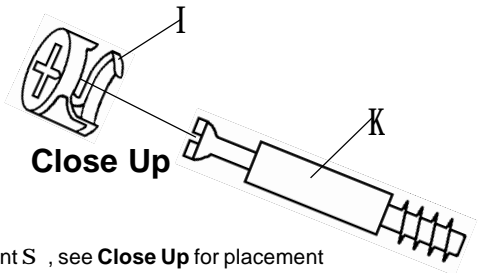
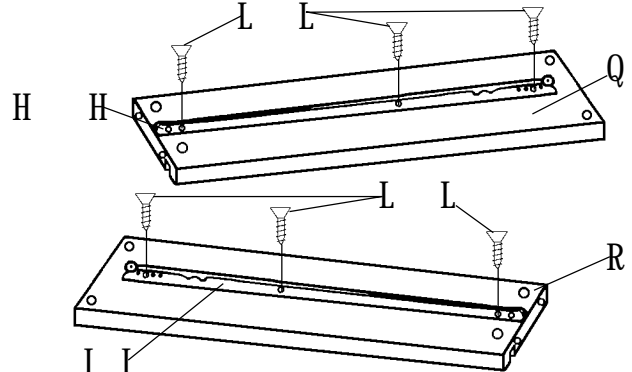
Note: If crib is placed on exceptionally thick carpet, take care when crib is rolled as Casters X could catch on thick carpet pile and possibly cause breakage or damage to lower corner posts of crib.



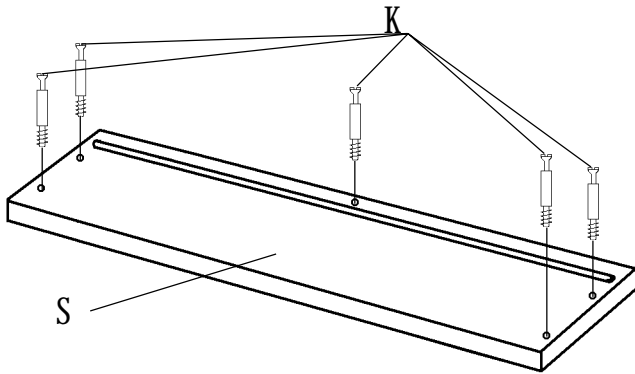
Sketch A

STEP 8 - DIAGRAM 7: BUILD UP OF DRAWER

STEP 8A - Attach Metal Drawer Rail-Right HH to Drawer End-Right Q by matching to pilot holes, affix with (3) Flathead Phillips Wood Screws LL as shown in **Diagram**. Repeat this procedure with Metal Drawer Rail-Left II to Drawer End-Left R, again affix with the remaining (3) Flathead Phillips Wood Screws LL. Tighten screws securely.

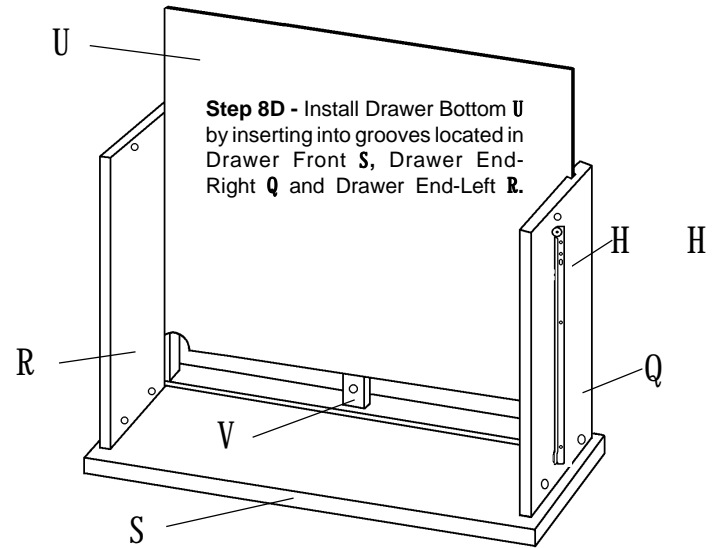
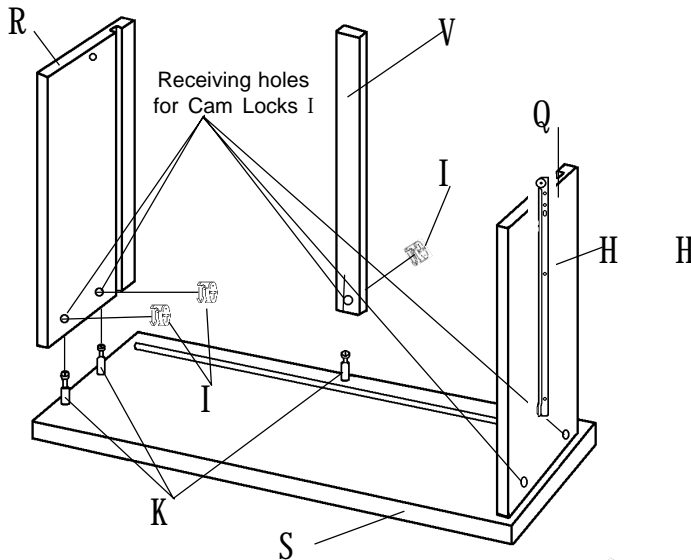


Close Up



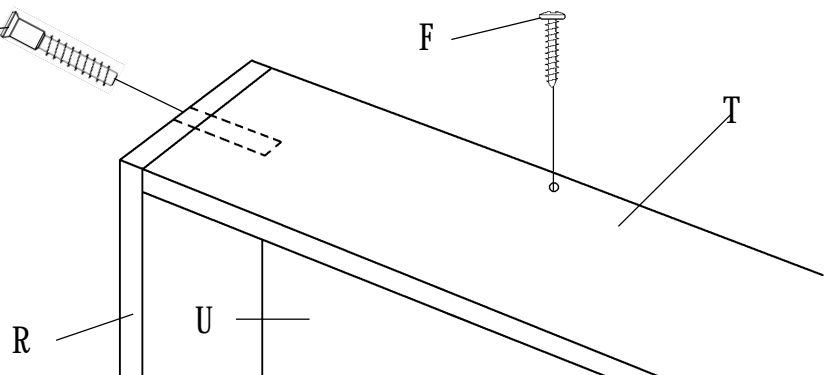
STEP 8B - Install Threaded Connectors K into Drawer Front S as shown.

STEP 8C. Attach Drawer End-Right Q, Drawer End-Left R and Support Rail V to Drawer Front S, see **Close Up** for placement of Cam Locks I. Insert Cam Locks I into their receiving holes in Support Rail V, Drawer End-Right Q and Drawer End-Left R, then lower onto the Threaded Connectors K. **NOTE:** Align the large opening in Cam Lock I to receive the head of the Threaded Connector K after Cam Locks are inserted in receiving holes. Rotate Cam Locks I clockwise 1/2 turn using a phillips screwdriver.



Step 8D - Install Drawer Bottom U by inserting into grooves located in Drawer Front S, Drawer End-Right Q and Drawer End-Left R.

Step 8E - Install Drawer Back T. Joint Connector Screw J, will be inserted into receiving hole in Drawer Ends Q & R and into receiving hole in Drawer Back T and tightened as shown in. Panhead Screw F to be inserted through receiving hole in Drawer Back T, then into pilot hole in end of the Support Rail V. Tighten all fastening devices securely.



Drawer Placement. Place the Drawer under the crib by inserting the rollers on the Drawer Track (attached to the drawer) into the channel of Drawer "Cabinet" Rails under the crib. See **Sketch A**.

STEP 9

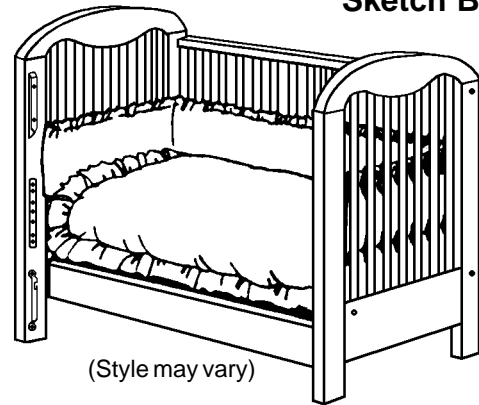
After completing the assembly of the crib, and after making yourself aware of the Warnings, Cautions, Cleaning, Storage, Use and Maintenance of crib, store the assembly directions in the plastic pouch which was pre-attached to the underneath side of the Crib Spring **P**. For future referral to the assembly directions you will only need to retrieve them from the plastic storage pouch.

Check to be sure each screw and bolt is tightened securely, then check frequently to be sure all fastening devices remain tightened.

Place a purchased mattress on Crib Spring **P** and crib is ready for use. See mattress size requirements on page 6 under **CAUTION**.

Directions For Converting "Crib" to A "Daybed". When use as a crib has been completed you have the option to convert crib to a daybed for years of additional use in your child's room. Remove Drawer, then simply follow **Step 6** in reverse order and refer to **Diagram 6** (Crib Spring **P** must be in the lowest position). Store removed parts and hardware as perhaps sometime in the future you may want to convert daybed back into a crib. Also see **Sketch B**. Reinsert Drawer. Place Assembly Directions back into the plastic pouch attached to crib/daybed spring.

• **Again check to be sure each screw and bolt is tightened securely, then check frequently to be sure all fastening devices remain tightened.**



★MAINTENANCE OF YOUR CHILD CRAFT CRIB OR DAYBED: Upon completion of assembly be sure all screws, bolts and fastening devices have been tightened securely. A frequent periodic check should be made of all screws, bolts and fastening devices and tighten if needed. Before each usage or assembly, inspect crib/daybed for damaged hardware, loose joints, missing parts or sharp edges. **DO NOT** use if parts are missing or broken. Ask your dealer or write to Child Craft for replacement parts and instructional literature if needed. Before making this contact refer to the model identification numbers you recorded on page two, *(and can be located on the bottom edge of crib Headboard **L** or crib Footboard **M**)*. Use model identification numbers when making a request for parts or hardware. **DO NOT** substitute parts. **DO NOT** make any alteration not described in these assembly directions.

★CLEANING INSTRUCTIONS FOR YOUR CHILD CRAFT CRIB OR DAYBED: Mix a mild dishwashing liquid and water solution, apply to surface with a soft cloth lightly dampened in the solution. After cleaning rinse and then dry all surfaces thoroughly with a soft dry cloth. **NO** ABRASIVE CLEANERS, SCOURING PADS, STEEL WOOL, OR COARSE RAGS SHOULD BE USED TO CLEAN THIS FINE FURNITURE.

★STORAGE AND USE OF YOUR CHILD CRAFT CRIB OR DAYBED: KEEP THE ASSEMBLY INSTRUCTIONS FOR FUTURE REFERRAL. A printed plastic pouch is attached to Crib Spring **P** for permanent storage of the assembly directions. After completing the assembly process you are advised to read and be aware of all **WARNINGS, CAUTIONS, CLEANING, STORAGE, USE AND MAINTENANCE** notices contained in this set of assembly directions and printed on the plastic pouch located on the top side of Crib Spring **P**. You will then place the complete set of assembly directions into the plastic pouch for future referral. We caution you not to place excess hardware in the plastic pouch as it could present danger to a small child if retrieved and it could also puncture crib mattress. When storing crib use **CAUTION** as extreme temperature or humidity changes could be harmful. Use **CAUTION** when a vaporizer is in use, always aim vapor stream away from crib as well as away from any other wood furniture item.

CAUTION

Φ ANY MATTRESS USED IN THIS CRIB MUST BE AT LEAST 27-1/4 INCHES (69 CENTIMETERS), BY 51-5/8 INCHES (131 CENTIMETERS), WITH A THICKNESS NOT EXCEEDING 6 INCHES (15 CENTIMETERS). the dimensions of the mattress shall be taken from seam to seam or edge to edge where appropriate.

Φ UPON COMPLETION OF ASSEMBLY BE SURE ALL SCREWS, BOLTS AND FASTENING DEVICES HAVE BEEN TIGHTENED SECURELY. A FREQUENT CHECK SHOULD BE MADE OF ALL SCREWS, BOLTS AND FASTENING DEVICES AND TIGHTEN IF NEEDED.



WARNING

⊕ FAILURE TO FOLLOW THESE WARNINGS AND ASSEMBLY INSTRUCTIONS COULD RESULT IN SERIOUS INJURY OR DEATH.

⊕ READ ALL INSTRUCTIONS BEFORE ASSEMBLING CRIB. KEEP INSTRUCTIONS FOR FUTURE USE. A plastic pouch is attached to crib spring for permanent storage of the instructional literature.

⊕ BEFORE EACH USAGE OR ASSEMBLY, INSPECT CRIB FOR DAMAGED HARDWARE, LOOSE JOINTS, MISSING PARTS OR SHARP EDGES. DO NOT USE CRIB IF ANY PARTS ARE MISSING OR BROKEN. ASK YOUR DEALER OR WRITE TO CHILD CRAFT, P.O. BOX 444, SALEM, IN 47167-0444 USA (812/883-3111), service@childcraftind.com FOR REPLACEMENT PARTS AND INSTRUCTIONAL LITERATURE IF NEEDED. Include model identification numbers with your request which you recorded on page two. DO NOT SUBSTITUTE PARTS.

⊕ AFTER RAISING SIDE, MAKE SURE LATCHES ARE SECURE.

⊕ WHEN CHILD IS ABLE TO CLIMB OUT OR REACHES THE HEIGHT OF 35 INCHES (90 CM) THE CRIB SHALL NO LONGER BE USED. (You may then convert "crib" to a "Daybed".)

⊕ DO NOT PLACE CRIB NEAR WINDOW WHERE CORDS FROM BLINDS OR DRAPES MAY STRANGLE A CHILD.

⊕ DO NOT LEAVE CHILD IN CRIB WITH SIDE LOWERED. BE SURE SIDE IS IN RAISED AND LOCKED POSITION WHENEVER CHILD IS IN CRIB.

⊕ STRINGS CAN CAUSE STRANGULATION! DO NOT PLACE ITEMS WITH A STRING AROUND A CHILD'S NECK, SUCH AS HOOD STRINGS OR PACIFIER CORDS. DO NOT SUSPEND STRINGS OVER A CRIB OR ATTACH STRINGS TO TOYS.

⊕ DO NOT USE A WATER MATTRESS WITH THIS CRIB.

⊕ WHEN CHILD IS ABLE TO PULL TO A STANDING POSITION, SET MATTRESS TO LOWEST POSITION AND REMOVE BUMPER PADS, LARGE TOYS AND OTHER OBJECTS THAT COULD SERVE AS STEPS FOR CLIMBING OUT.

⊕ NEVER USE PLASTIC SHIPPING BAGS OR OTHER PLASTIC FILM AS MATTRESS COVERS BECAUSE THEY CAN CAUSE SUFFOCATION.

⊕ IF REFINISHING, USE A NON-TOXIC FINISH SPECIFIED FOR CHILDREN'S PRODUCTS.

⊕ WHEN DISASSEMBLING THIS CRIB, DO NOT REMOVE ANY ITEM ATTACHED WITH WOOD SCREWS.

⊕ REPLACE TEETHING RAIL(S) IF DAMAGED OR LOOSE. (if crib is equipped with teething rails.)

⊕ REMOVE ALL CRIB TOYS WHICH ARE STRUNG ACROSS CRIB AREA WHEN YOUR CHILD IS BEGINNING TO PUSH UP ON HANDS AND KNEES OR IS 5 MONTHS OF AGE, WHICHEVER OCCURS EARLIEST. THESE TOYS CAN CAUSE STRANGULATION!

⊕ ALWAYS ENSURE A SAFE ENVIRONMENT FOR THE CHILD BY CHECKING REGULARLY, BEFORE PLACING THE CHILD IN THE CRIB, THAT EVERY COMPONENT IS PROPERLY AND SECURELY IN PLACE.



child craft

•PO BOX 444 •SALEM •IN 47167-0444 •USA
 •(812) 883-3111 •FAX (812) 883-1819
<http://www.childcraftind.com>

CCH00715:10/00 JCHE.p65

MADE IN CROATIA