



CHILD CRAFT INDUSTRIES, INC.

P.O. Box 335, New Salisbury, IN USA 47161-0335 PH: 812-206-2200 FAX: 812-206-2250 http://www.childcraftindustries.com

# ASSEMBLY DIRECTIONS AND PARTS LIST

Directions for Maintenance, Cleaning, Storage and Use of your crib/toddler bed are also included.

● **BEFORE STARTING THE ASSEMBLY PROCEDURE, READ ALL DIRECTIONS WITH CARE.**


● **YOU WILL NEED THE FOLLOWING FOR THE ASSEMBLY OF YOUR LEGACY CRIB/TODDLER BED:**

- ✓ #1 and #2 phillips screwdrivers
- ✓ slotted screwdriver
- ✓ 7/16" wrench
- ✓ enclosed Allen Wrenches **F** & **N**

## PARTS ENCLOSED IN HARDWARE BAG (NOTED WHEN SHOWN ACTUAL SIZE)

OPTIONAL

(16) Washers **T**




*(actual size)*

See STEP 7.  
Use Washers **T**  
only if drawer fits too  
loose in its tracks.

(2) Upper Guide Bushings **A**


H01217



*(actual size)*

(2) Flat Head Machine Screws **B**

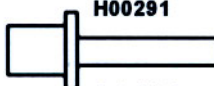
H00116



*(actual size)*

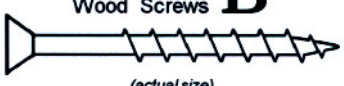
(2) Lower Guide Pins **C**

H00291



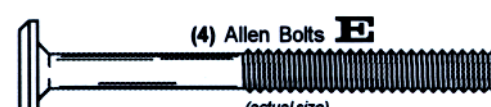
*(actual size)*

(8) F/H Slotted Phillips Wood Screws **D**



*(actual size)*

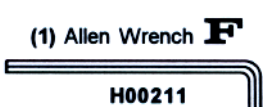
(4) Allen Bolts **E**




*(actual size)*

(1) Allen Wrench **F**

H00211

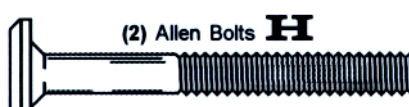


(6) K-D Bolt Plugs **G**




*(actual size)*

(2) Allen Bolts **H**

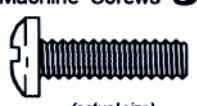


*(actual size)*

(4) Spring Mounting Brackets **I**




(8) Pan Head Machine Screws **J**



*(actual size)*

(4) Bracket Caps **L**

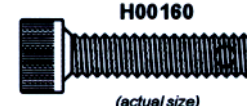
H01216



*(actual size)*

(4) Socket Head Cap Screws **M**

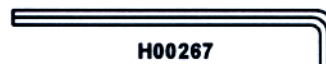
H00160




*(actual size)*

(1) Allen Wrench **N**

H00267

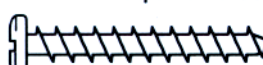


(8) Lock Nuts **K**




*(actual size)*

(3) P/H Slotted Phillips Wood Screws **Q**




*(actual size)*

(2) P/H Phillips Wood Screws **S**



*(actual size)*

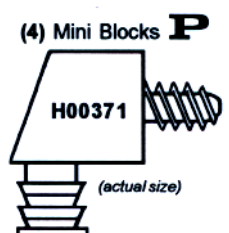
(4) Casters **O**



*(style may vary)*

(4) Mini Blocks **P**

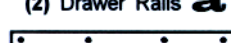
H00371



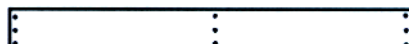
*(actual size)*

## PARTS ENCLOSED IN CARTON

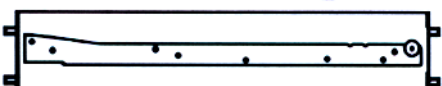
(2) Drawer Rails **a**



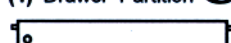
(1) Drawer Back **e**



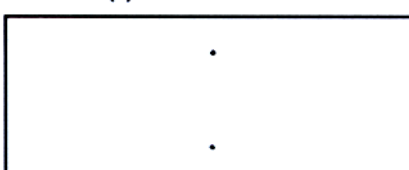
(1) Drawer End-Right **g**



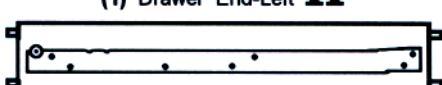
(1) Drawer Partition **c**



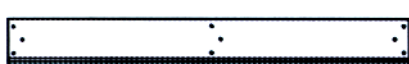
(1) Drawer Bottom **f**



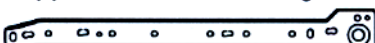
(1) Drawer End-Left **h**



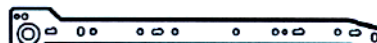
(1) Drawer Front **d**



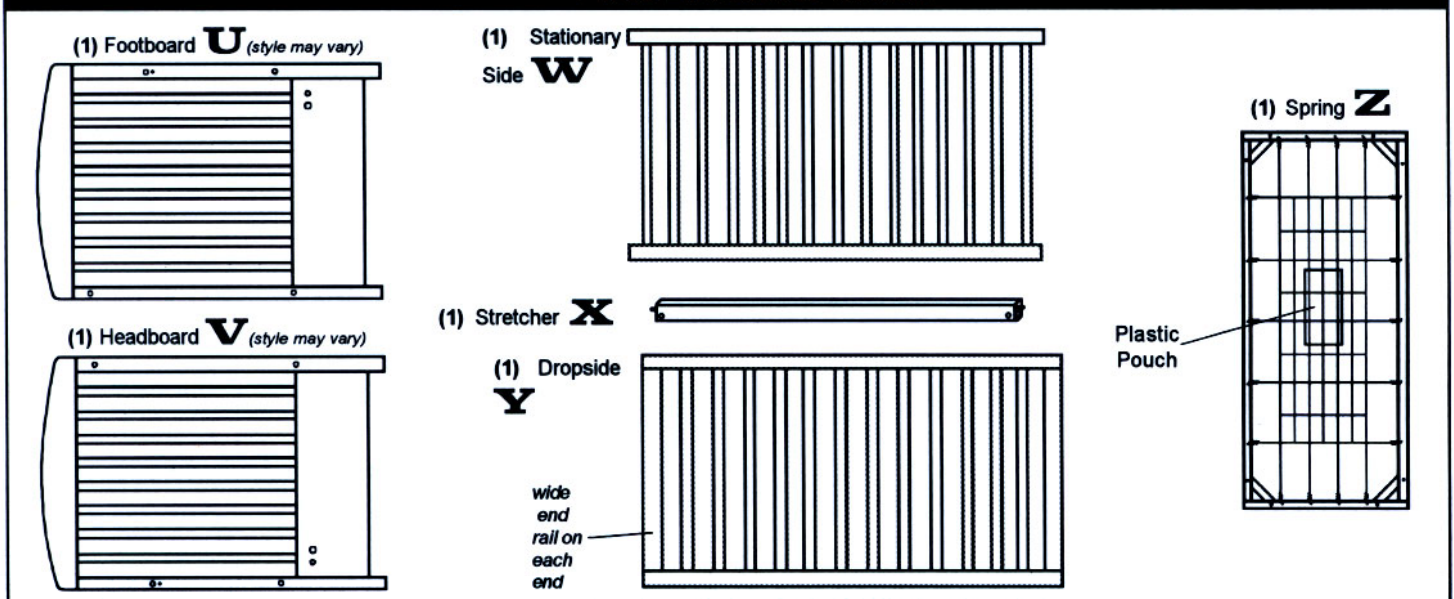
(1) Drawer "Cabinet Rail"-Right **i**



(1) Drawer "Cabinet Rail"-Left **j**



## PARTS ENCLOSED IN CARTON:

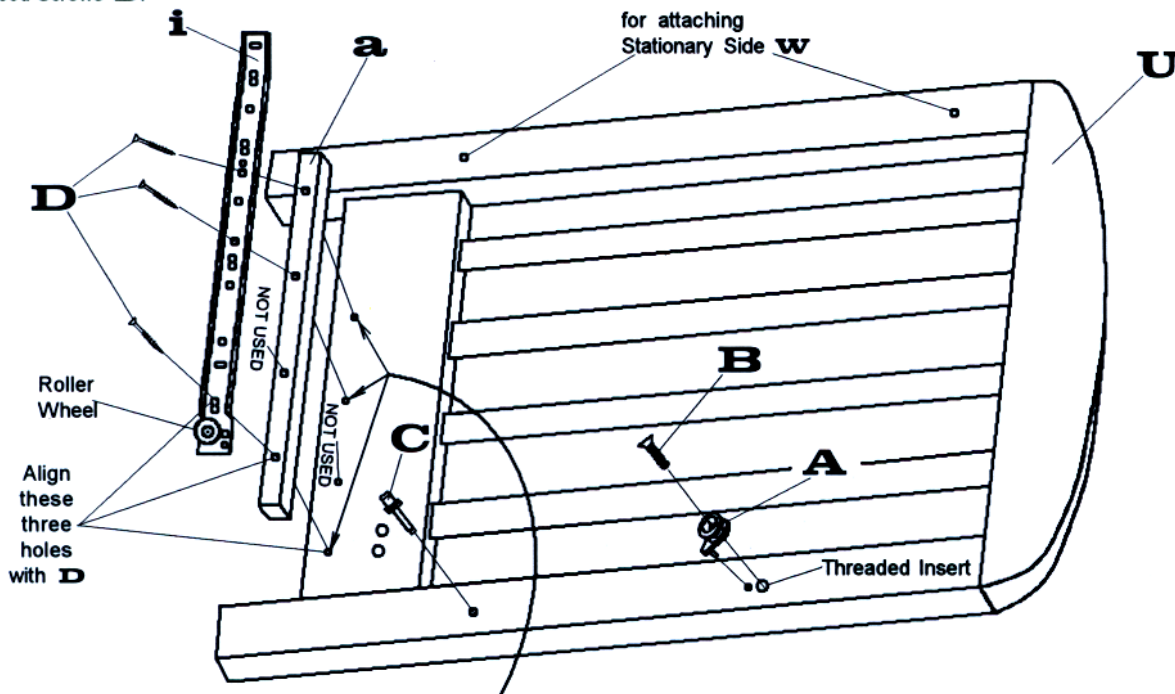


## PREPARATION

Carefully remove and lay out all hardware and parts. During the assembly process, when using screws or bolts (fastening devices), check each with **PARTS ENCLOSED IN HARDWARE BAG** list by letter and size. Identify by placing each fastening device on the diagram of the item (sketched actual size). Be sure to use the proper size specified in the assembly directions. Hardware Bag may contain extra fastening devices. Check quantities and match to **PARTS ENCLOSED IN HARDWARE BAG/CARTON** lists. If a part is missing or broken contact your dealer or Legacy, 812-206-2200, FAX: 812-206-2250, <http://www.childcraftindustries.com> for a replacement part or instructional literature. Before making this contact identify your crib. Model Identification numbers are stamped on a label attached to the inside face of Footboard **U** bottom rail. Record the complete model identification number now: \_\_\_\_\_ Include this number with a request for a part or literature for your crib. **DO NOT SUBSTITUTE PARTS!** # \_\_\_\_\_

## STEP 1 - DIAGRAM 1: ATTACH HARDWARE TO HEADBOARD &amp; FOOTBOARD

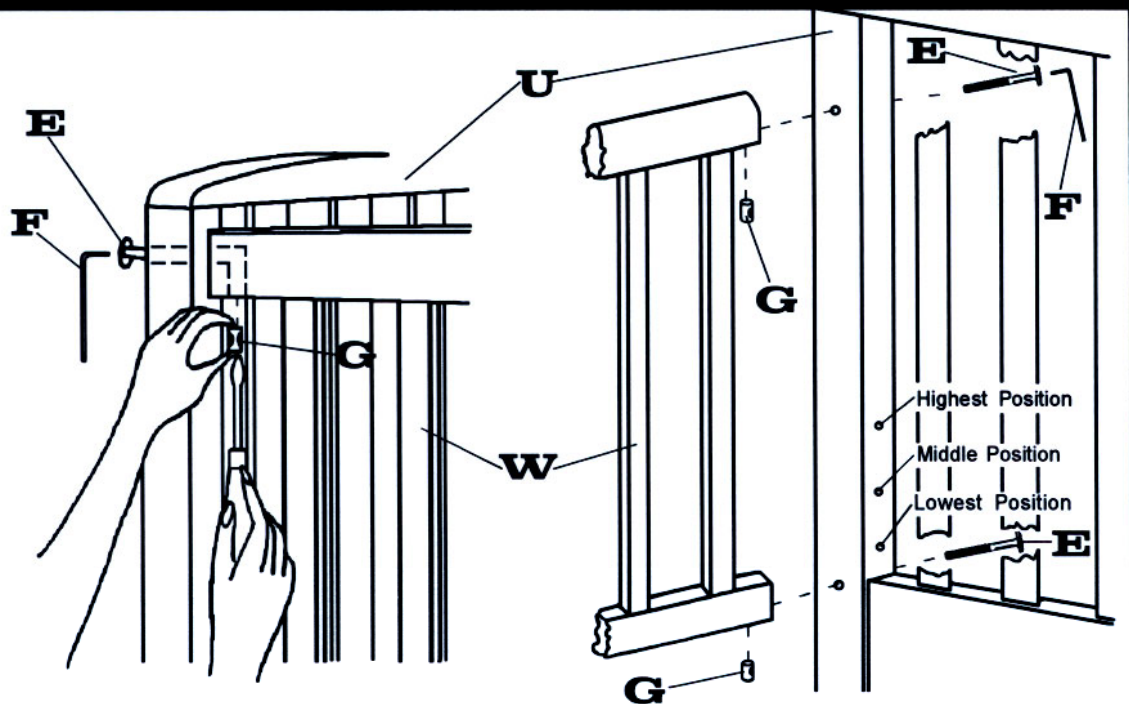
Lay Footboard **U** and Headboard **V** down horizontally, (outside facing down) as shown. Insert an Upper Guide Bushing **A** and affix with a Flathead Machine Screw **B** to Footboard **U**. Note: use hand screwdriver not battery or electric driver. Tighten, but do not overtighten. (Overtightening can cause the Upper Guide Bushing **A** to compress down.) The Upper Guide Bushing **A** must slide freely in groove of Metal Top Track. At this time read and understand **DIAGRAM 4**. Test to see that Metal Top Track will slide freely over Upper Guide Bushing **A**, if not loosen Flathead Machine Screws **B** until Metal Top Track slides freely, but make sure Upper Guide Bushing **A** is securely attached. Insert a Lower Guide Pin **C** into its receiving hole located on inside face of Footboard **U** exactly as shown. Follow the same procedure to install the remaining Upper Guide Bushing **A** and the Lower Guide Pin **C** to Headboard **V**. Install Drawer Rail **a** and Drawer "Cabinet Rail"-Right **1** to Footboard **U**, again exactly as shown using (3) F/H Phillips/Slotted Wood Screws **D**, tighten securely. Now, install Drawer Rail **a** and Drawer "Cabinet Rail"-Left **j** to Headboard **V** using the remaining (3) F/H Phillips/Slotted Wood Screws **D**.



**NOTE:** See **STEP 7**. If needed, install the enclosed Washers **T** here, between Drawer Rail **a** and Footboard **U** and/or Headboard **V**. **DO NOT INSTALL WASHERS DURING STEP 2.**

## STEP 2 - DIAGRAM 2: ATTACH STATIONARY SIDE TO HEADBOARD &amp; FOOTBOARD

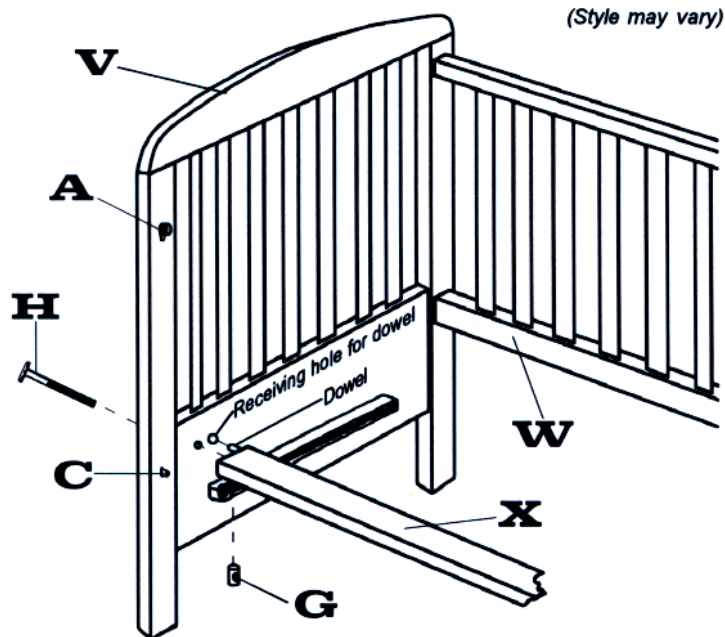
Align the receiving holes in each end of the Stationary Side **W** with the receiving holes located in corner posts of Footboard **U** and Headboard **V**. Insert an Allen Bolt **E** into each of the (4) receiving holes and allow each to pass through the corner posts of Headboard **V** & Footboard **U**, then into the receiving holes in each end of the Stationary Side **W**. Insert each of the (4) K-D Bolt Plugs **G** as shown. Pull out each Allen Bolt **E** just enough to allow the K-D Bolt Plug **G** to be fully inserted in the receiving hole. Tighten all (4) Allen Bolts **E** until secure using the Allen Wrench **F** (*enclosed*) while securing K-D Bolt Plugs **G** with a standard slotted screwdriver.



**CAUTION:**  
DO NOT OVERTIGHTEN

## STEP 3 - DIAGRAM 3: INSTALL STRETCHER

Locate Stretcher **X**, the remaining (2) K-D Bolt Plugs **G** and the (2) Allenhead K-D Bolts **H**. Insert the dowel on the ends of the Stretcher **X** into the receiving holes located on the inside face of the bottom rail of Headboard **V** and Footboard **U**, see Diagram 3. Insert an Allenhead K-D Bolt **H** into its receiving hole from the outside face of Headboard **V** and Footboard **U** as shown. Insert a K-D Bolt Plug **G** into the hole near each end of Stretcher **X**. Pull out each Allenhead K-D Bolt **H** just enough to allow the K-D Bolt Plug **G** to be fully inserted in the hole. Tighten Allenhead K-D Bolts **H** at each end of Stretcher **X** using Allen Wrench **F** (*enclosed*), while securing K-D Bolt Plug **G** with a standard slotted screwdriver, **Note**: this is the same process you just performed in Step 2. **CAUTION: DO NOT OVERTIGHTEN K-D BOLTS H.**



*This crib conforms to applicable regulations promulgated by the CONSUMER PRODUCT SAFETY COMMISSION and the AMERICAN SOCIETY FOR TESTING AND MATERIALS (ASTM) Voluntary Standard in effect at the date of manufacture and is certified by JUVENILE PRODUCTS MANUFACTURERS ASSOCIATION (JPMA) and ASTM.*

**STEP 4 - DIAGRAM 4: INSTALLATION OF DROPSIDE.**

**PREPARATION FOR INSTALLATION OF DROPSIDE:** Loosen Allenhead K-D Bolts **H** which attach Stretcher **X** to Headboard **V** and Footboard **U** to prepare for Dropside **Y** installation. Back out these (2) Bolts a full (5) revolutions each, but do not remove them. Stretcher **X** will now be loose.

Install Dropside **Y** by following substeps I through IV listed below. Refer to **DIAGRAM 4**. (It would be helpful to have a friend assist you with this procedure.) **Note:** the outside location of Dropside **Y** as shown in **DIAGRAM 4**.

**I. Note:** During the Dropside **Y** installation procedure use extreme caution when Top Tracks and Lower Tracks make contact with Upper Guide Bushings **A** and Lower Guide Pins **C** so as not to damage the finish of this crib.

**II.** Insert the Upper Guide Bushings **A** (mounted to Footboard **U** and Headboard **V** in **STEP 1**) into the Upper Tracks (metal) which were factory mounted to Dropside. Hold the Dropside **Y** at approximately 30 degrees from vertical as shown in **DIAGRAM 4**.

**III.** Once both ends are engaged, then carefully allow Dropside **Y** to slide downward. Then rotate the bottom end of the Dropside **Y** until it is nearly vertical. (**Note:** Rotation will be stopped when the dropside **Y** touches the Lower Guide pins **C**. Carefully let the Dropside **Y** slide down until it is as low as it can go.

**IV. READ THIS STEP COMPLETELY BEFORE PROCEEDING.** Next, lift Dropside **Y** approximately two inches (2") vertically. This will put Dropside **Y** in the proper vertical alignment with the Lower Guide Pin **C** which will be inserted into the Lower Tracks (Right & Left).

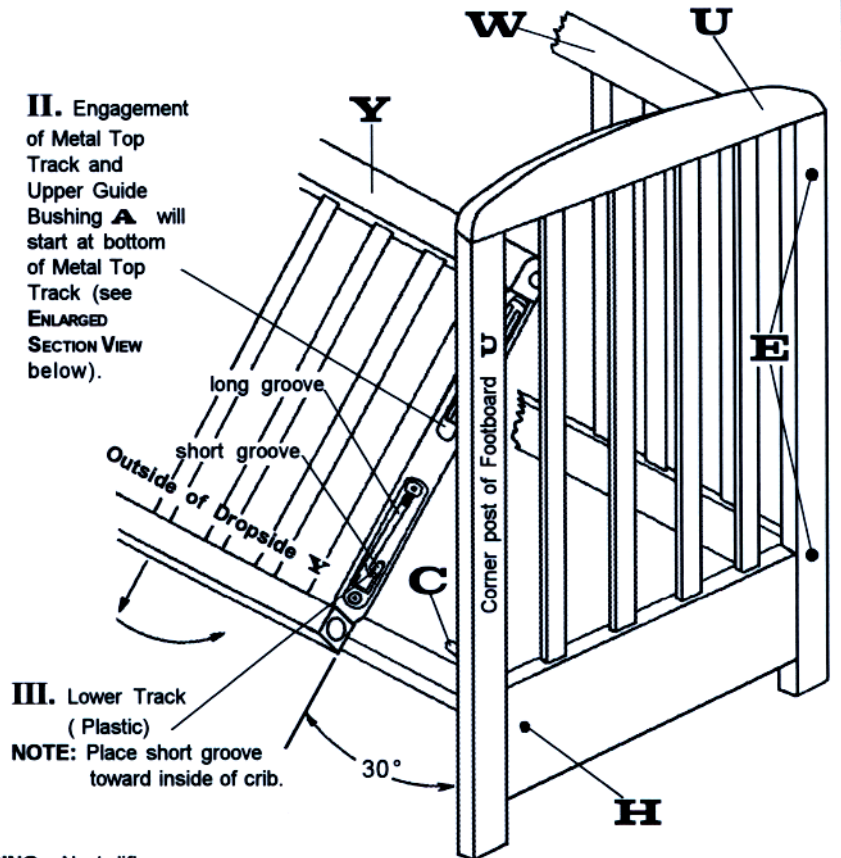
Flex the bottom end of the corner post on the Dropside side of Footboard **U** away from the Dropside **Y**. The purpose of this process is to create a gap for the Lower Guide Pins **C** to pass through so that the Lower Guide Pins **C** can be inserted into the long groove of the plastic Lower Tracks. As you prepare to accomplish this please note the following:

If Stretcher **X** was not loosened enough (as described in **PREPARATION FOR INSTALLATION OF DROPSIDE** in the beginning of **STEP 4**) there will not be enough slack to create the necessary gap required for the Lower Guide Pin **C** to pass through. Prematurely forcing the pin through a gap with inadequate clearance could damage the finish on Dropside **Y**. If your crib has too small of a gap, then lower Dropside **Y** to its lowest position and check to verify that preparation at beginning of **STEP 4** was performed correctly.

If it was performed correctly, but the gap is still too small, it may be because Stretcher **X** needs to be pulled away from the bottom rails of the Footboard **U** or Headboard **V**.

After Lower Guide Pin **C** has been installed into the long groove on Footboard **U**, then repeat this process on Headboard **V**. After both Lower Guide Pins **C** are installed, very carefully and slowly raise the Dropside **Y** up until it locks into its raised position. Be very careful to ensure that the Lower Guide Pins **C** located in the grooves do not slip out during the process of raising Dropside **Y**.

Refer to **DIAGRAM 3**. Tighten the (2) Allenhead K-D Bolts **H**. Be sure the (2) Allenhead K-D Bolts **H** are tightened securely. Check these bolts periodically and tighten if needed.

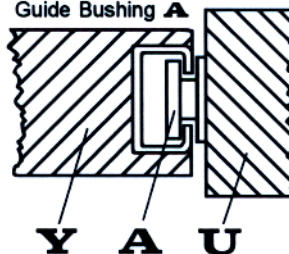
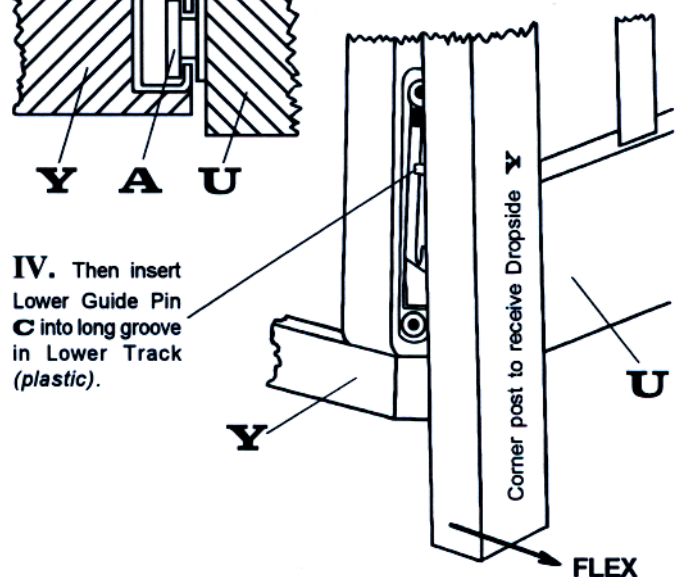


**II. Engagement of Metal Top Track and Upper Guide Bushing A** will start at bottom of Metal Top Track (see **ENLARGED SECTION VIEW** below).

**III. Lower Track (Plastic)**  
**NOTE:** Place short groove toward inside of crib.

**II. ENLARGED SECTION VIEW**

Engagement of Metal Top Track and Upper Guide Bushing **A**

**IV. ENLARGED VIEW**

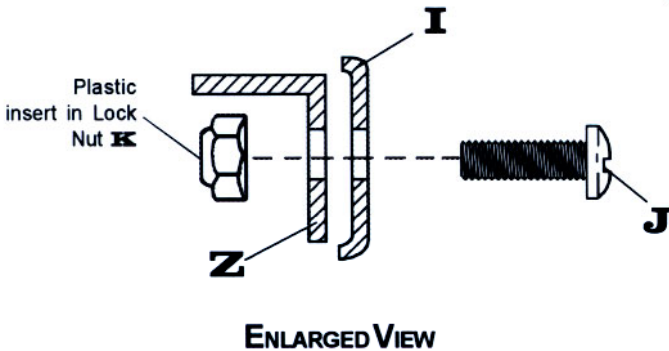
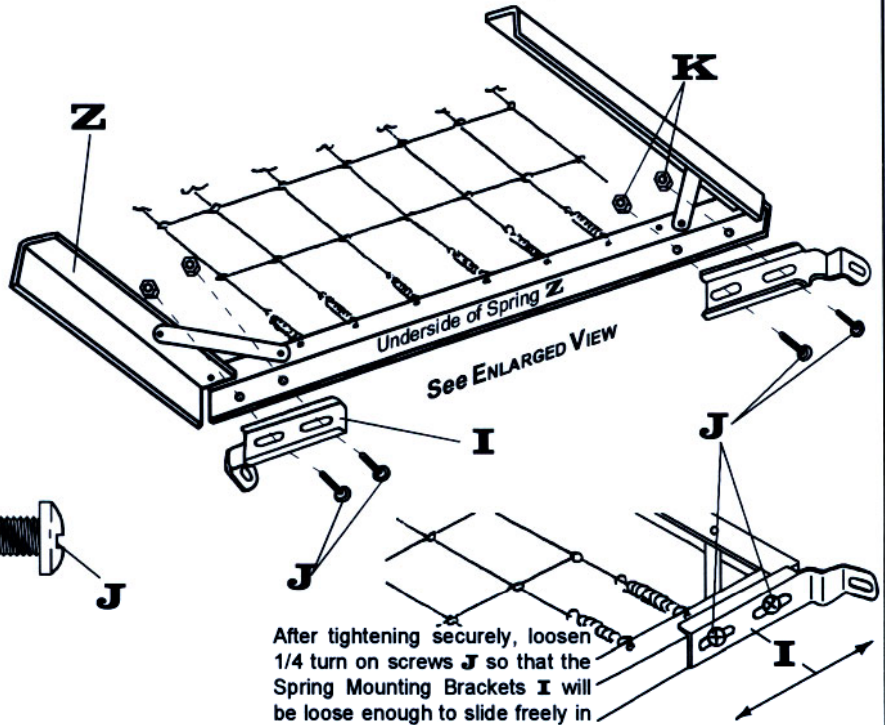
**IV. Then insert Lower Guide Pin C** into long groove in Lower Track (plastic).

**Check the function of Dropside Y.** To lower the Dropside, lift up on the Dropside top rail with your hand near the middle and then press in with your knee on the center of the Dropside bottom rail. The Dropside will then lower. To lock the Dropside in the raised position, just lift it up until it locks into place. Always verify that both ends of the Dropside are locked in the raised position whenever child is placed in crib. Only lower the Dropside when attending to child. Lower crib Dropside prior to proceeding with **STEP 5**.

**STEP 5 - DIAGRAM 5: SPRING ASSEMBLY.**

Install (4) Spring Mounting Brackets **I** to ends of Spring **Z** using (8) Pan Head Machine Screws **J** and (8) Lock Nuts **K**, (metal threads of Lock Nut to be inserted first over Screw as shown in ENLARGED VIEW).

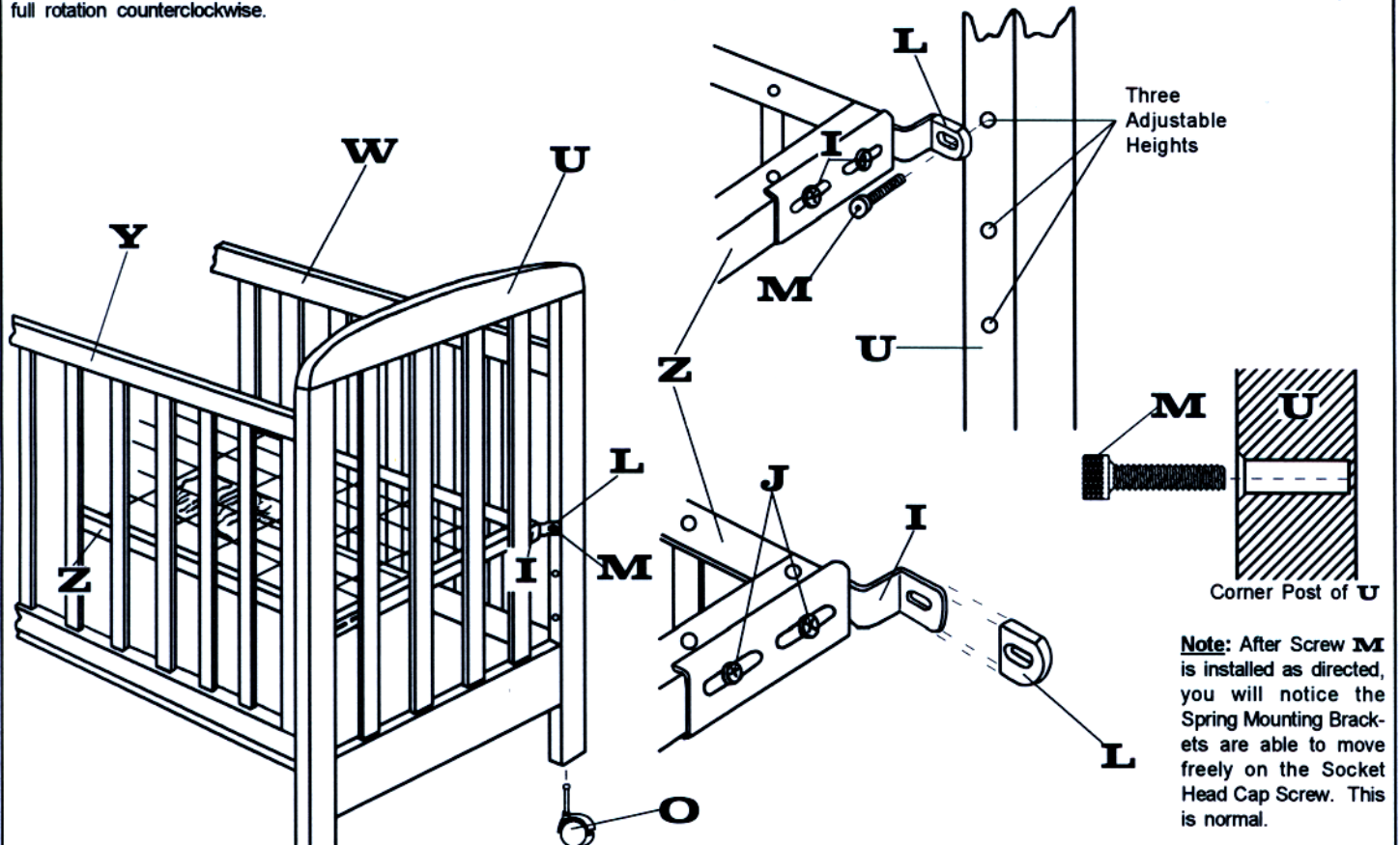
Tighten all (8) Pan Head Machine Screws **J** while holding Lock Nuts **K** with a 7/16 inch wrench. After tightening securely, loosen 1/4 turn on all Screws **J** so that Spring Mounting Brackets **I** will be loose enough to slide freely in their mounting slots. **Note:** These (8) Panhead Machine Screws **J** will always remain 1/4 turn loose.



**STEP 6 - DIAGRAM 6: ATTACHMENT OF SPRING TO CRIB.**

First, slip the (4) Bracket Caps **L** onto the ends of the Spring Mounting Brackets **I** attached to Spring **Z** as shown. (Lower Dropside **Y** before proceeding.) Lower the spring assembly down into the inside of the crib. Be careful to position the Spring Mounting Brackets **I** between the crib posts and the first spindle. You may choose any of the three adjustable height positions shown for mounting the spring with the (4) Socket Head Cap Screws **M**. Use Allen Wrench **N** to tighten Socket Head Cap Screws **M**. Please note that the Socket Head Cap Screws **M** have a plastic pellet inserted in their metal threads. This plastic pellet will cause Socket Head Cap Screws **M** to feel tight as they are being inserted into the metal inserts in the corner posts of the crib. Carefully tighten the Socket Head Cap Screws **M** into the metal inserts by rotating them clockwise until the Spring Mounting Brackets **I** are secure against the corner posts. After secure, loosen Socket Head Cap Screws **M** by one full rotation counterclockwise.

First, slip the (4) Bracket Caps **L** onto the ends of the Spring Mounting Brackets **I** attached to Spring **Z** as shown. (Lower Dropside **Y** before proceeding.) Lower the spring assembly down into the inside of the crib. Be careful to position the Spring Mounting Brackets **I** between the crib posts and the first spindle. You may choose any of the three adjustable height positions shown for mounting the spring with the (4) Socket Head Cap Screws **M**. Use Allen Wrench **N** to tighten Socket Head Cap Screws **M**. Please note that the Socket Head Cap Screws **M** have a plastic pellet inserted in their metal threads. This plastic pellet will cause Socket Head Cap Screws **M** to feel tight as they are being inserted into the metal inserts in the corner posts of the crib. Carefully tighten the Socket Head Cap Screws **M** into the metal inserts by rotating them clockwise until the Spring Mounting Brackets **I** are secure against the corner posts. After secure, loosen Socket Head Cap Screws **M** by one full rotation counterclockwise.



Locate the (4) Casters **O**, insert one into each socket in each lower corner post of Headboard **V** and Footboard **U**. Caster design may vary according to your particular model. **CAUTION:** If crib is placed on exceptionally thick carpet, take care when crib is rolled as Casters could catch on thick carpet pile and possibly cause breakage to lower corner posts of crib.

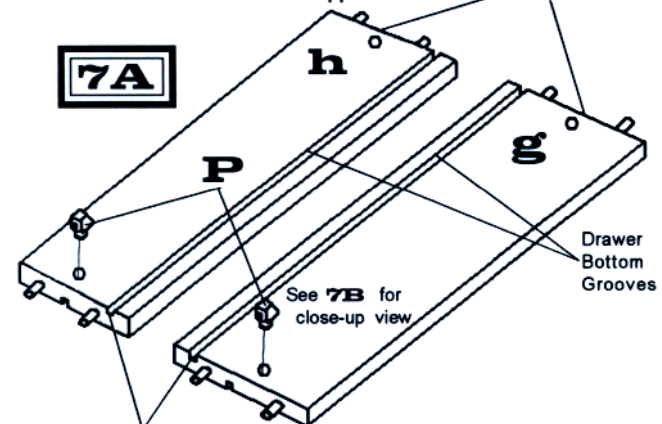
**STEP 7 - DIAGRAM 7: DRAWER BUILD-UP & INSTALLATION** Installation of Mini Blocs **P**. Refer to DIAGRAMS **7A**, **7B**, **7C**, **7D**, and **7E**. Install (1) Mini Bloc **P** into each of the Drawer Ends **g&h** as shown in DIAGRAM **7A** in order to have a pair when complete.

**Build Up of the Drawer.** Assemble the Drawer as shown in DIAGRAM **7E**. **NOTE:** After the drawer is assembled as shown in DIAGRAM **7E**, turn the drawer upside down and install (2) 5/8" P/H Slotted Wood Screws **S** into holes located in Drawer Bottom **f** to secure it to the Drawer Partition **c**.

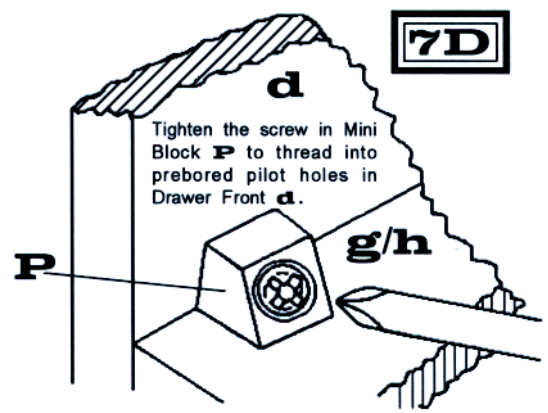
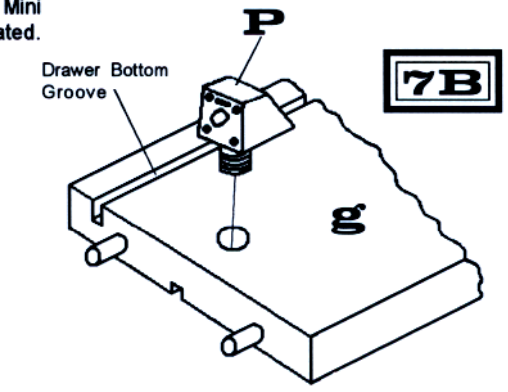
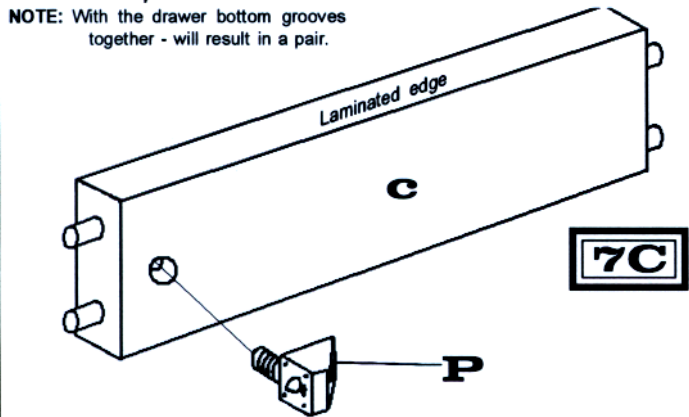
**Drawer Installation.** Install the Drawer under the crib by inserting the rollers on Drawer Ends **g&h** (attached to the drawer) into the channel of Drawer "Cabinet Rails" **i** and **j** mounted to Headboard **V** and Footboard **U** under the crib.

**IF THE DRAWER FITS TOO LOOSE IN ITS TRACKS,** you can adjust the fit by adding the enclosed Washers **T** as shown in DIAGRAM 1. Remove the drawer. Carefully lay the crib on its back to allow access to parts **D**, **a**, **i**, & **j**. Remove the Drawer Rails and insert a washer over each screw point **D** between **a** and **U** and/or **V**. Reinstall rail assembly and drawer. Add additional washers if necessary repeating this process. Insure the washers are installed between parts **a** and **U** and/or **V** only if needed.

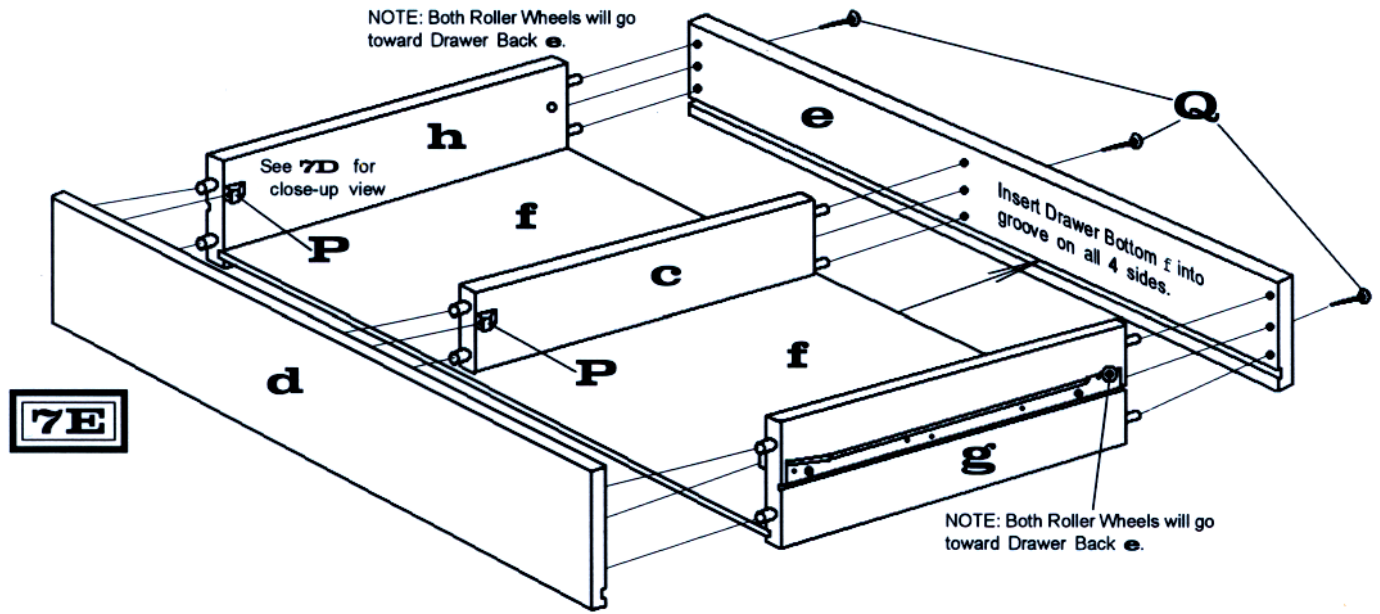
**NOTE:** Roller wheel on metal track will be underneath and on this end. Mini Blocs **P** install at opposite end of roller wheel attached to **g & h** as illustrated.



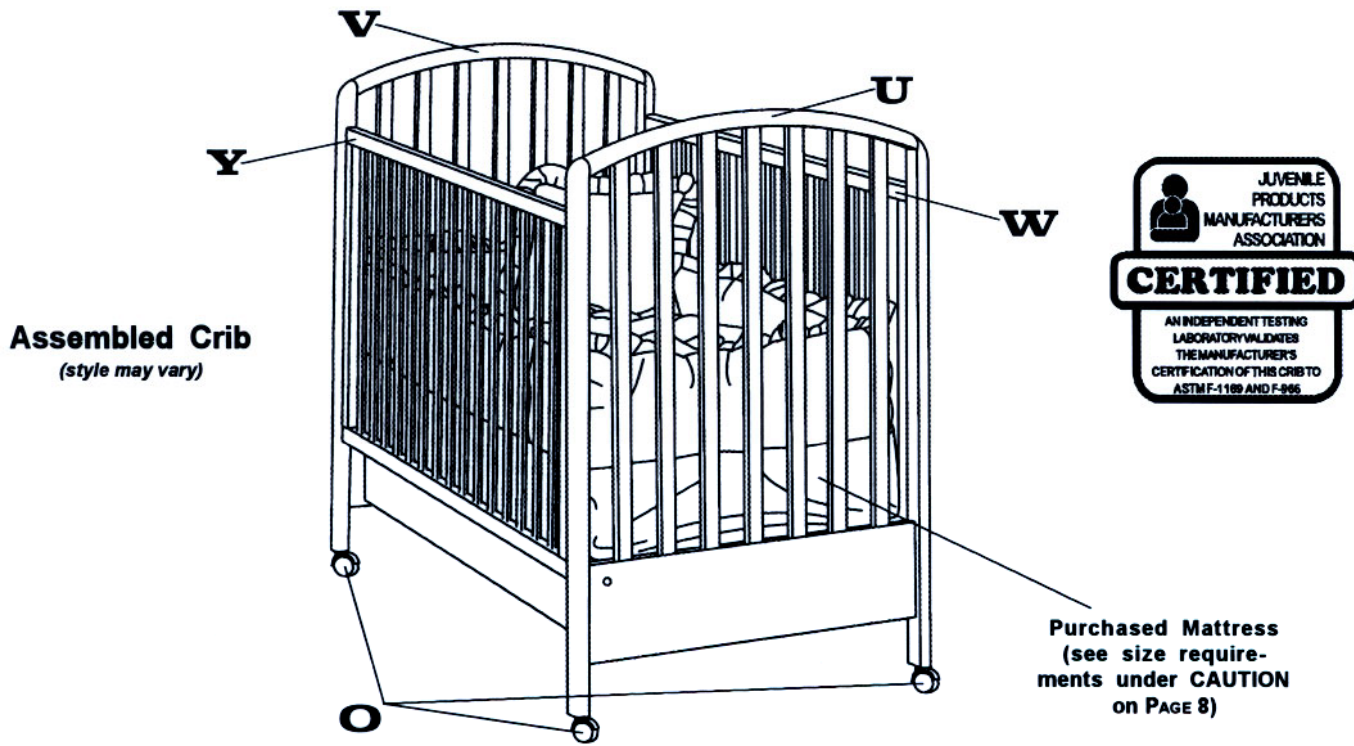
**NOTE:** With the drawer bottom grooves together - will result in a pair.



**NOTE:** Both Roller Wheels will go toward Drawer Back **e**.



**STEP 8: FINISHING TOUCHES.** After completing crib assembly, and after making yourself aware of the **Warnings, Cautions, Cleaning, Storage, Use and Maintenance** of crib, store the assembly directions in the plastic pouch which was pre-attached to Spring **Z**. For future referral to assembly directions you will only need to remove them from the plastic pouch. We caution you not to store excess hardware in plastic pouch as this would be a danger to child if retrieved by him/her. Place a purchased mattress on the Spring and crib is ready for use. **CHECK PERIODICALLY TO BE SURE SCREWS AND BOLTS (FASTENING DEVICES) REMAIN TIGHTENED AS INSTRUCTED IN EACH STEP OF THESE ASSEMBLY DIRECTIONS.**



#### ASSEMBLY DIRECTIONS FOR CONVERSION OF CRIB TO A TODDLER BED

**When converting this crib to a Toddler Bed, a Guard Rail manufactured by Child Craft Industries, Inc. must be used.**

**SEE WARNINGS ON PAGE 8 OF THESE ASSEMBLY DIRECTIONS.**

Crib spring will be placed in the lowest position. A separate set of Assembly Directions is provided with the Guard Rail to assist you through the removal of the dropside and the assembly and installation of the guard rail. When installation of guard rail is complete, store removed dropside and hardware as instructed. Place both sets of assembly directions in the plastic pouch attached to the crib spring for future availability. Check periodically to be sure all fastening devices (screws and bolts) remain tightened as instructed.

**•MAINTENANCE OF YOUR LEGACY CRIB:** Upon completion of assembly be sure screws and bolts (fastening devices) are tightened securely. A periodic check should be made of fastening devices and tighten if needed. Before each usage or assembly, inspect crib for damaged hardware, loose joints, missing parts or sharp edges. **DO NOT** use crib if parts are missing or broken. Ask your Dealer or LEGACY at 812-206-2200 - <http://www.childcraftindustries.com> for replacement parts and instructional literature if needed. Include Model Identification Number with your request which you recorded on **PAGE 2**. **DO NOT** substitute parts. **DO NOT** make any alteration to this crib.

**•CLEANING INSTRUCTIONS FOR YOUR LEGACY CRIB:** Mix together a mild solution of gentle dishwashing liquid and water, apply to crib surface using a soft clean cloth lightly dampened in the solution. Rinse with clear water again using a soft clean cloth then dry all surfaces thoroughly with a soft dry cloth. **NO ABRASIVE CLEANERS, SCOURING PADS, STEEL WOOL, OR COARSE RAGS SHOULD BE USED TO CLEAN THIS FINE FURNITURE.**

**•STORAGE AND USE OF YOUR LEGACY CRIB:** A printed plastic pouch is attached to the crib spring for the permanent storage of the assembly directions. After completing the assembly process you are advised to read and be aware of all **WARNINGS, CAUTIONS, CLEANING, STORAGE, USE AND MAINTENANCE** notices contained in this set of assembly directions and printed on the plastic pouch attached to crib spring. You will then place the complete set of assembly directions into the plastic pouch for future referral. We caution you not to place excess hardware in the plastic pouch as it could present danger to a child if retrieved and it could also puncture crib mattress. When storing crib use **CAUTION** as extreme temperature or humidity changes could be harmful. Use **CAUTION** when a vaporizer is in use, always aim vapor stream away from crib as well as away from any other wood furniture item.

▲FAILURE TO FOLLOW THESE WARNINGS AND ASSEMBLY INSTRUCTIONS COULD RESULT IN SERIOUS INJURY OR DEATH.

▲**READ ALL INSTRUCTIONS BEFORE ASSEMBLING CRIB. KEEP INSTRUCTIONS FOR FUTURE USE. A PLASTIC POUCH IS ATTACHED TO CRIB SPRING FOR PERMANENT STORAGE OF THE INSTRUCTIONAL LITERATURE.**

▲BEFORE EACH USAGE OR ASSEMBLY, INSPECT CRIB FOR DAMAGED HARDWARE, LOOSE JOINTS, MISSING PARTS OR SHARP EDGES. DO NOT USE CRIB IF ANY PARTS ARE MISSING OR BROKEN. ASK YOUR DEALER OR WRITE TO CHILD CRAFT, P.O. BOX 335, New Salisbury, IN 47161-0335 USA 812-206-2200 -<http://www.childcraftindustries.com> FOR REPLACEMENT PARTS AND INSTRUCTIONAL LITERATURE IF NEEDED. INCLUDE MODEL IDENTIFICATION NUMBERS WITH YOUR REQUEST WHICH YOU RECORDED ON PAGE TWO. DO NOT SUBSTITUTE PARTS.

▲AFTER RAISING SIDE, MAKE SURE LATCHES ARE SECURE.

▲WHEN CHILD IS ABLE TO CLIMB OUT OR REACHES THE HEIGHT OF 35 INCHES (90 CENTIMETERS) THE CRIB SHALL NO LONGER BE USED.

▲DO NOT PLACE CRIB NEAR WINDOW WHERE CORDS FROM BLINDS OR DRAPES MAY STRANGLE A CHILD.

▲IF REFINISHING, USE A NON-TOXIC FINISH SPECIFIED FOR CHILDREN'S PRODUCTS.

▲DO NOT LEAVE CHILD IN CRIB WITH SIDE LOWERED. BE SURE SIDE IS IN RAISED AND LOCKED POSITION WHENEVER CHILD IS IN CRIB.

▲WHEN CHILD IS ABLE TO PULL TO STANDING POSITION, SET MATTRESS TO LOWEST POSITION AND REMOVE BUMPER PADS, LARGE TOYS AND OTHER OBJECTS THAT COULD SERVE AS STEPS FOR CLIMBING OUT.

▲NEVER USE PLASTIC SHIPPING BAGS OR OTHER PLASTIC FILM AS MATTRESS COVERS BECAUSE THEY CAN CAUSE SUFFOCATION.

▲DO NOT USE A WATER MATTRESS WITH THIS CRIB.

▲REPLACE TEETHING RAIL(S) IF DAMAGED OR LOOSE (IF EQUIPPED WITH TEETHING RAILS).

▲STRINGS CAN CAUSE STRANGULATION! DO NOT PLACE ITEMS WITH A STRING AROUND A CHILD'S NECK, SUCH AS HOOD STRINGS OR PACIFIER CORDS. DO NOT SUSPEND STRINGS OVER A CRIB OR ATTACH STRINGS TO TOYS.

▲REMOVE ALL CRIB TOYS WHICH ARE STRUNG ACROSS CRIB AREA WHEN YOUR CHILD IS BEGINNING TO PUSH UP ON HANDS AND KNEES OR IS 5 MONTHS OF AGE, WHICHEVER OCCURS EARLIEST. THESE TOYS CAN CAUSE STRANGULATION.

▲WHEN DISASSEMBLING THIS CRIB, DO NOT REMOVE ANY ITEM ATTACHED WITH WOOD SCREWS.

▲ALWAYS ENSURE A SAFE ENVIRONMENT FOR THE CHILD BY CHECKING REGULARLY, BEFORE PLACING THE CHILD IN THE CRIB, THAT EVERY COMPONENT IS PROPERLY AND SECURELY IN PLACE.

## CAUTION

●ANY MATTRESS USED IN THIS CRIB MUST BE AT LEAST 27-1/4 INCHES (69 CENTIMETERS), BY 51-5/8 INCHES (131 CENTIMETERS), WITH A THICKNESS NOT EXCEEDING 6 INCHES (15 CENTIMETERS). the dimensions of the mattress shall be taken from seam to seam or edge to edge where appropriate.

●UPON COMPLETION OF ASSEMBLY BE SURE ALL SCREWS, BOLTS AND FASTENING DEVICES HAVE BEEN TIGHTENED SECURELY. A FREQUENT CHECK SHOULD BE MADE OF ALL SCREWS, BOLTS AND FASTENING DEVICES AND TIGHTEN IF NEEDED.



CHILD CRAFT INDUSTRIES, INC.

P.O. Box 335, New Salisbury, IN USA 47161-0335

•PH-812-206-2200 •FAX-812-206-2250

<http://www.childcraftindustries.com>

### WARNING - WHEN USING THIS CRIB AS A TODDLER BED:

▲WHEN CONVERTING CRIB TO A TODDLER BED A GUARD RAIL MANUFACTURED BY CHILD CRAFT INDUSTRIES MUST BE USED TO PREVENT THE MATTRESS FROM SLIPPING OFF OF THE SPRING. FAILURE TO USE THE APPROPRIATE GUARD RAIL COULD RESULT IN ENTRAPMENT AREAS WHICH COULD CAUSE SERIOUS INJURY OR DEATH TO THE CHILD. SEE YOUR CHILD CRAFT/LEGACY DEALER.

▲YOUR CRIB AND GUARD RAIL SHALL ONLY BE USED AS A TODDLER BED WHEN THE CHILD IS AT LEAST 15 MONTHS OLD. THE MAXIMUM WEIGHT OF THE CHILD SHALL NOT BE GREATER THAN 50 lbs. (22.7 kg).

▲THE MATTRESS USED MUST BE A FULL-SIZE CRIB MATTRESS AT LEAST 51-5/8 in. (1310 mm) IN LENGTH, 27-1/4 in. (690 mm) IN WIDTH AND 4 in. (100 mm) IN THICKNESS.

▲FAILURE TO FOLLOW THESE WARNINGS AND THE ASSEMBLY INSTRUCTIONS COULD RESULT IN SERIOUS INJURY OR DEATH FROM ENTRAPMENT, STRANGULATION OR OTHER CAUSES. DO NOT PLACE BED NEAR WINDOWS WHERE CORDS FROM BLINDS OR DRAPES MAY STRANGLE A CHILD.