

## Rockport Double Dresser

### Model Covered: F01409

**KEEP INSTRUCTIONS FOR FUTURE USE.**

**FOR CUSTOMER SERVICE CALL 1-330-723-0599. DO NOT CALL RETAILER OR RESELLER FOR SERVICE AS THEY ARE NOT AUTHORIZED TO RESOLVE ANY SERVICE ISSUES.**

**FOR WARRANTY AND FEDERAL SAFETY STANDARD COMPLIANCE CERTIFICATES, PLEASE VISIT OUR WEBSITE AT [www.childcraftbaby.com](http://www.childcraftbaby.com)**

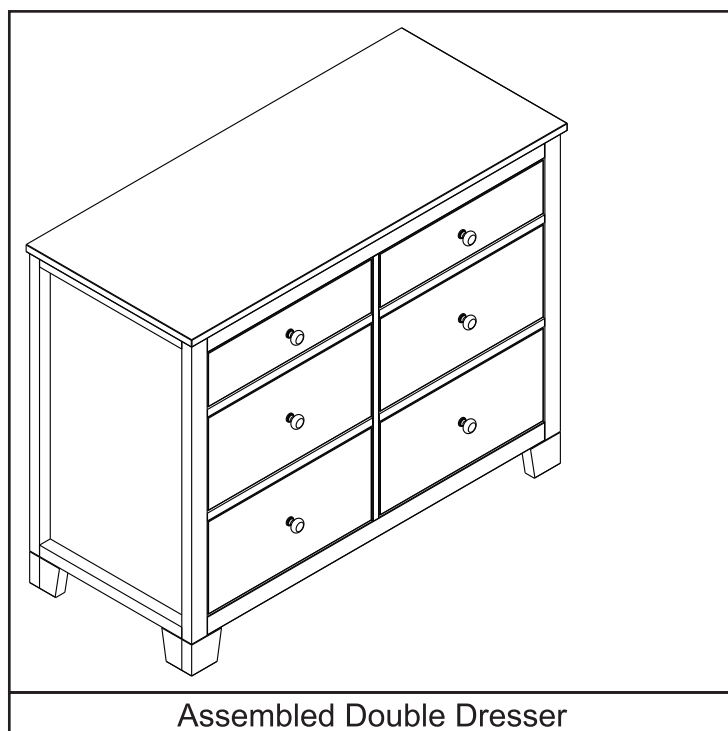
### **ASSEMBLY ASSISTANCE**

**IMPORTANT: Retain for future reference and read carefully.**

Child Craft strives for the highest quality in our products but occasionally a missing part or problem can occur during assembly. If any parts are missing, broken, or you need assistance with assembly, DO NOT return the product to your dealer. Go to our website at [www.childcraftbaby.com](http://www.childcraftbaby.com) or call Child Craft for assistance at 1-330-723-0599 (Monday through Friday, 9:00 a.m.-4:00 p.m. Eastern Time). Please have the model number and manufacture date available when you call or write us at:  
 Child Craft, 5216 Portside Dr., Medina, OH. 44256

### **ASSEMBLY INSTRUCTIONS**

- Adult assembly required.
- Read all instructions BEFORE assembly and USE of product.
- Unpack carton, remove packing materials, including polybag. Identify and check all parts.



Assembled Double Dresser

Record the information for your product here:

Model number: \_\_\_\_\_

Manufacture date: \_\_\_\_\_

PO number: \_\_\_\_\_

## PARTS LIST

Part Description	Part Number	Quantity
A. End Panel - Left	92105913	1
B. Division	92103363	1
C. End Panel - Right	92105914	1
D. Foot - Left	92103344	2
E. Foot - Right	92103343	2
F. Top Panel	92103367	1
G. Lower Back Panel	92103368	1
H. Lower Back	92103369	1
I. Top Back Panel	92103370	1
J. Front Rail	92105915	4
K. Bottom Front Rail	92103372	1
L. Top Front Rail	92103373	1
M. Lower Drawer Front	92103374	4
N. Top Drawer Front	92103375	2
O. Lower Drawer Back	92103376	4
P. Top Drawer Back	92103377	2
Q. Drawer Bottom	92103378	6
R. Lower Drawer Right Side	92103353	4
S. Lower Drawer Left Side	92103354	4
T. Top Drawer Right Side	92103355	2
U. Top Drawer Left Side	92103356	2
V. Dowel Ø8	92105916	50
W. Dowel Ø6	92105916	24
X. Flat Head Screw	92105916	2
Y. Flat Head Screw	92105916	79
Z. Minifix Screw	92105916	6
AA. Flat Head Screw	92105916	31
BB. Glide Screw	92103360	48
CC. Minifix Round Nut	92105916	6
DD. Glides	92103360	6
EE. Knob	92103358	6
FF. Knob Screw	92103358	6
GG. Pan Head Screw	92103359	2
HH. Pan Head Screw	92103359	2
II. Bracket	92103359	2
JJ. Restraint Strap	92103359	1

## PREPARATION

Carefully remove and lay out all hardware and parts. Check quantities and match the parts list. Construct case on an even flat floor.

Note: during the assembly process whenever using screws or bolts, check each with the parts list by letter and size identification.

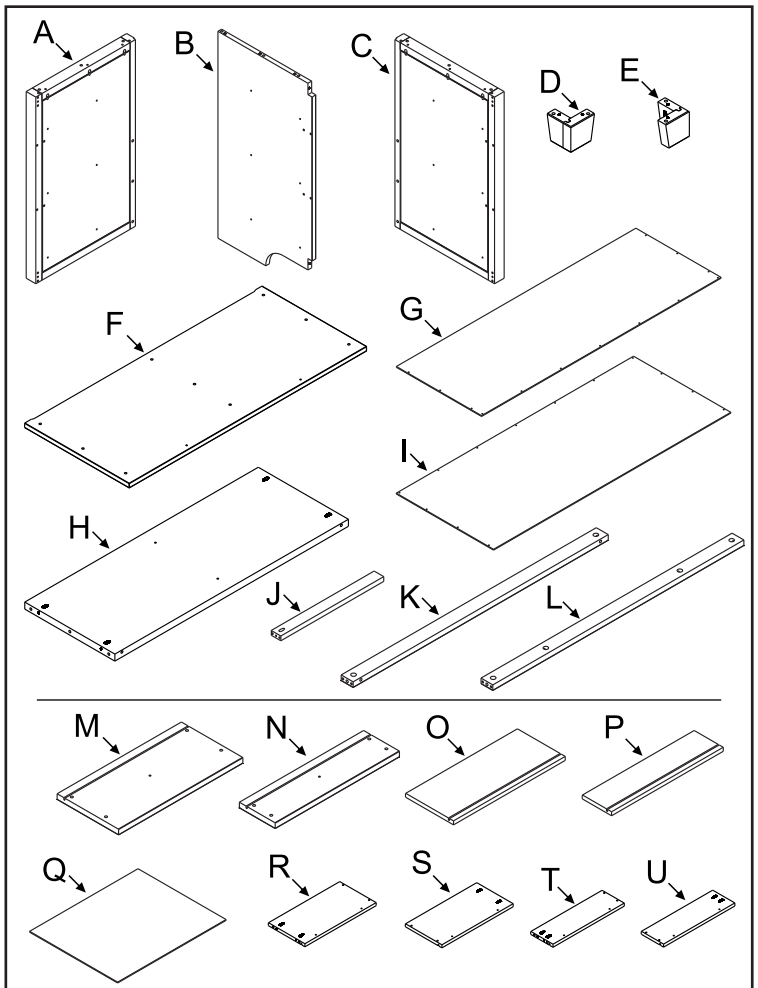
Be sure to use the proper size specified in the assembly directions. If any parts are missing or broken or you need assistance with assembly.

**DO NOT return your product to the dealer.** Please identify the furniture by the model number identification stamped on the assembly when you call or write to Child Craft. Make note of all identification numbers and include this information with your request.

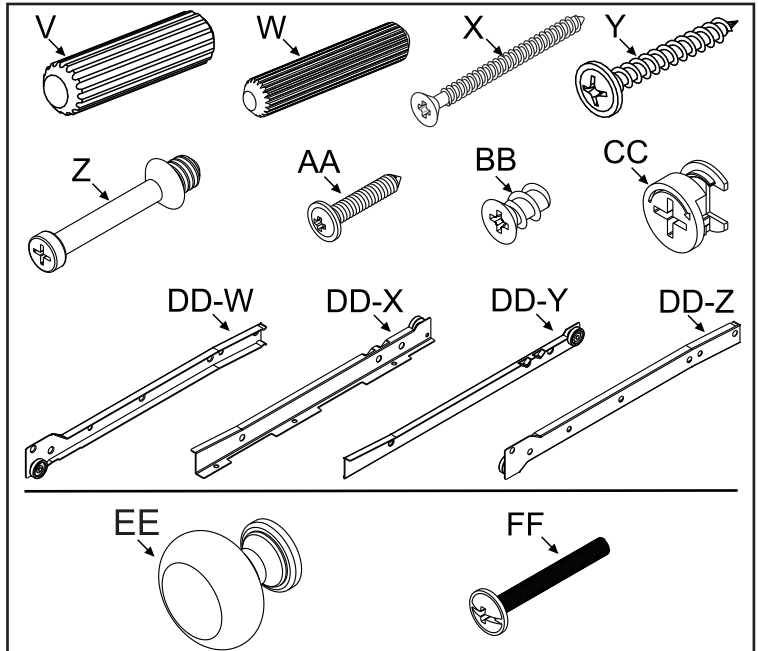
**DO NOT Substitute Parts!**

## SUGGESTED TOOLS

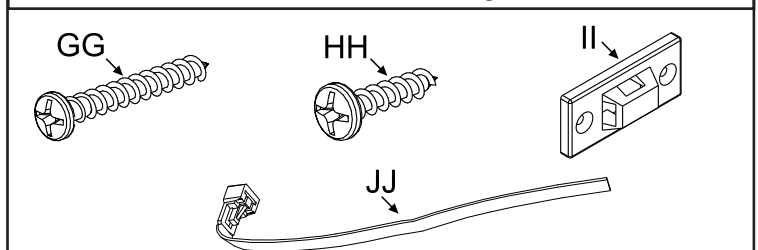
#2 Medium Straight Screwdriver



Furniture Parts

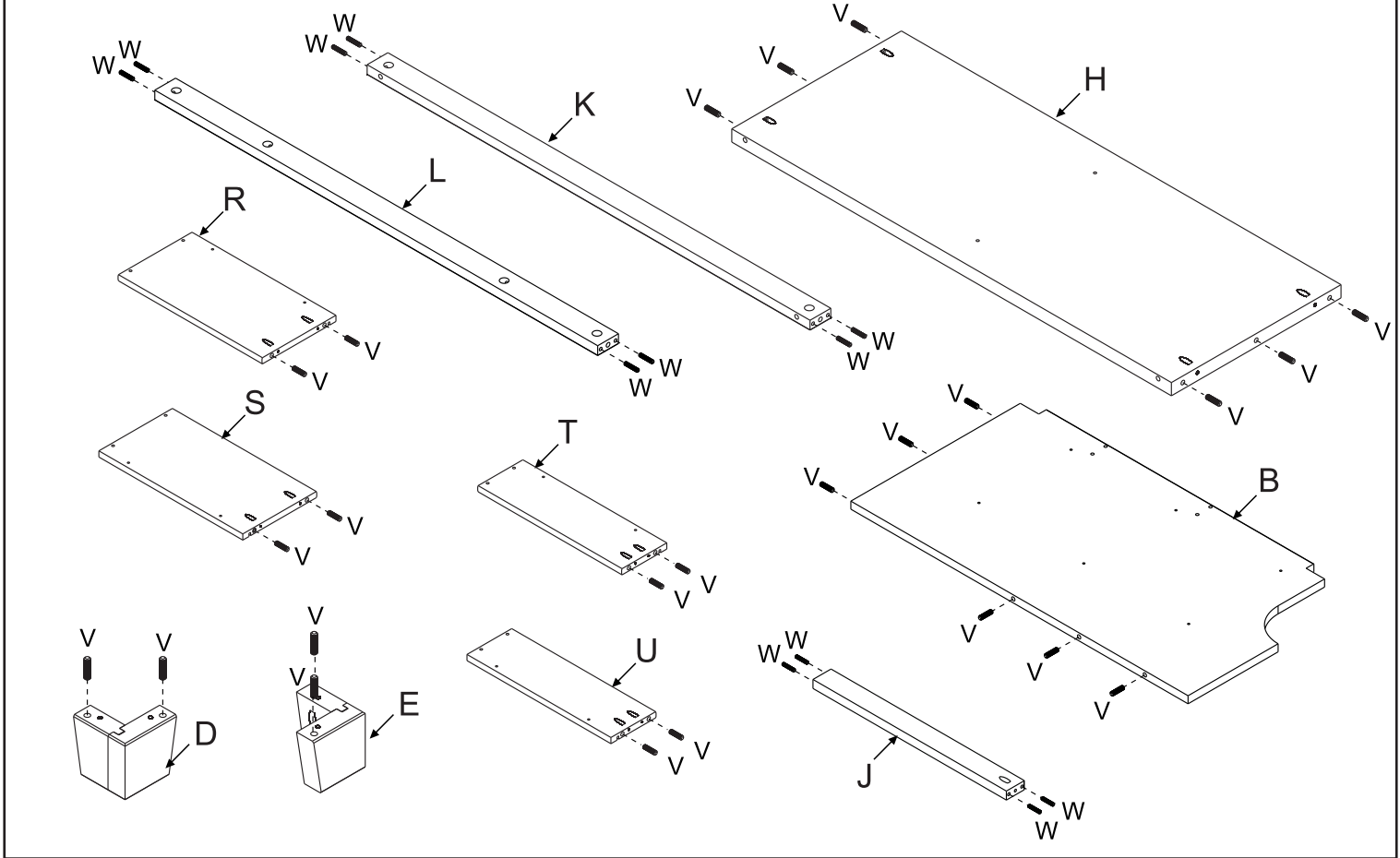


Hardware Package

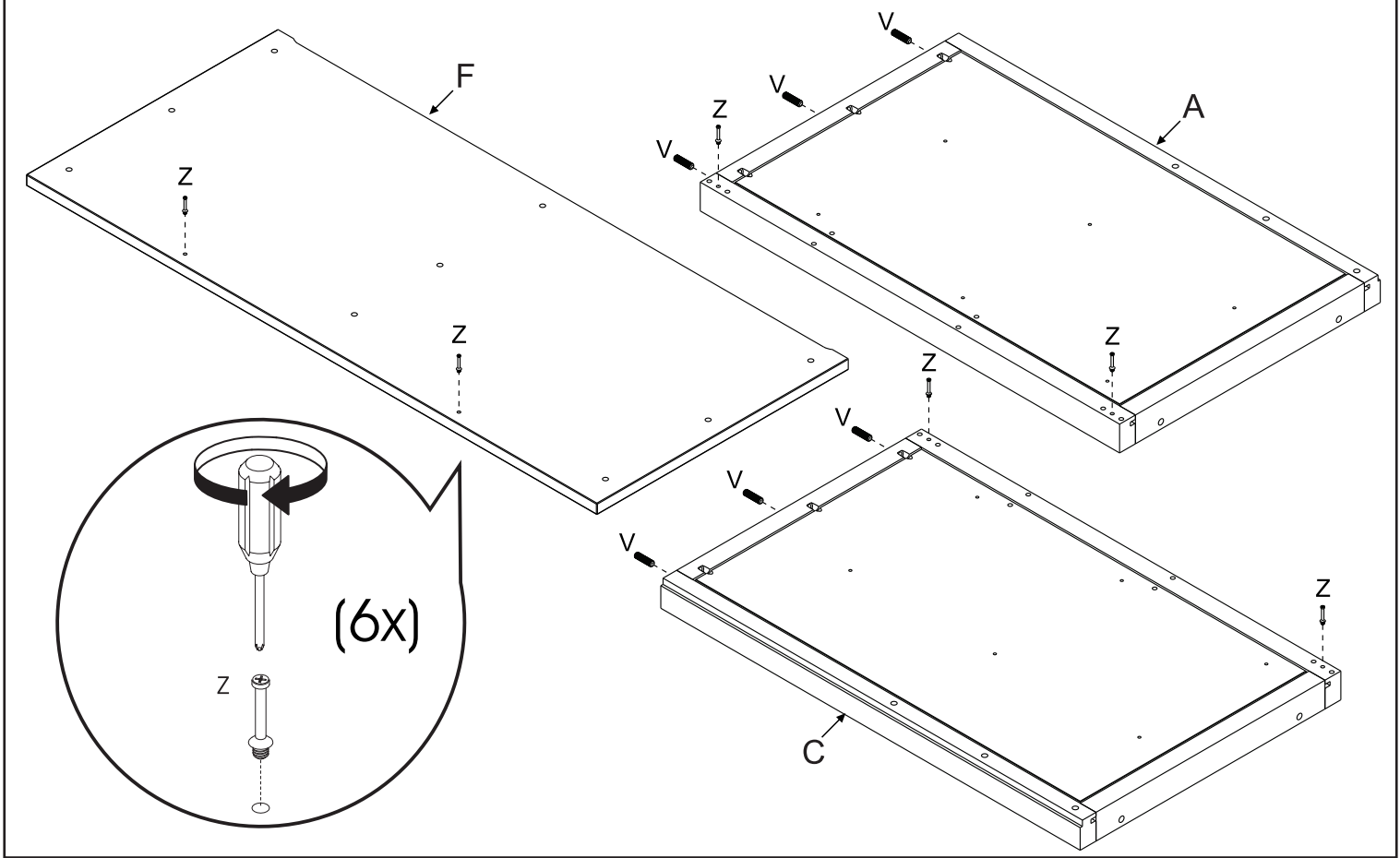


Anti-Tip Kit Parts

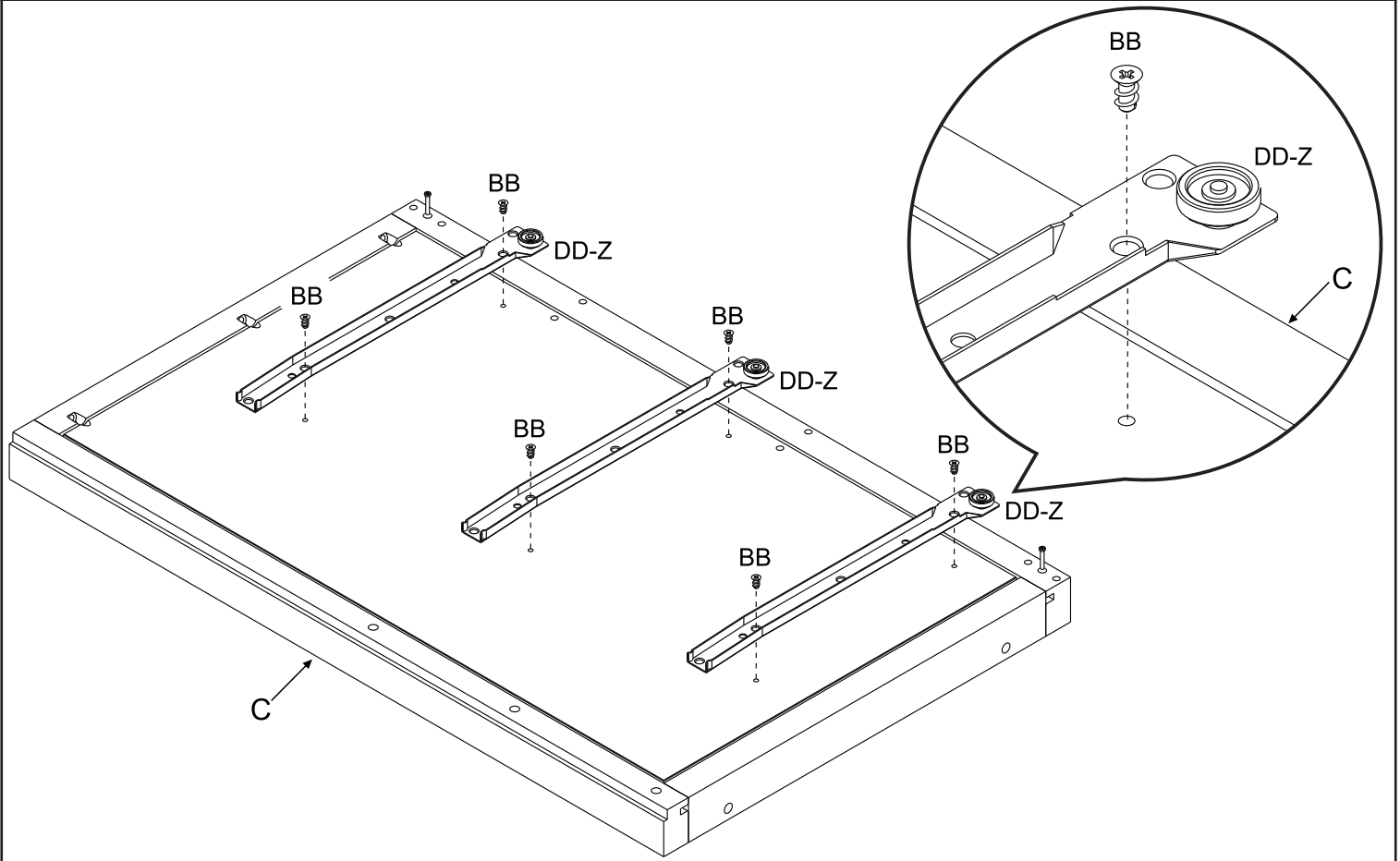
# STEP 1



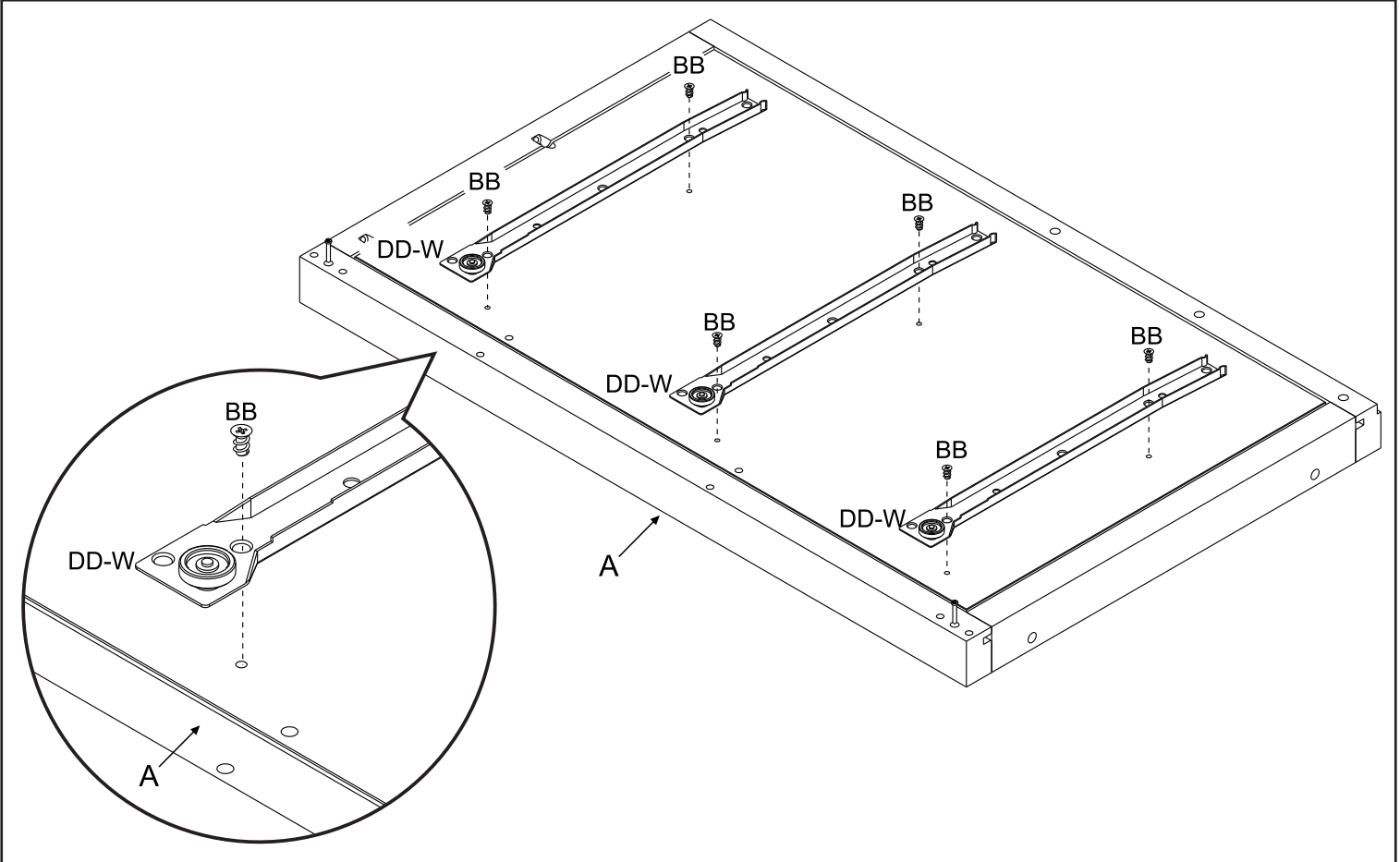
# STEP 2



### STEP 3



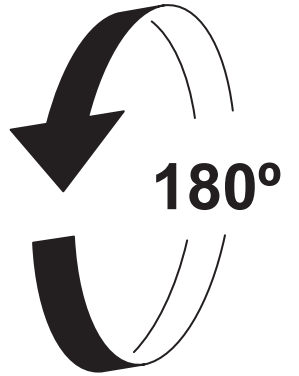
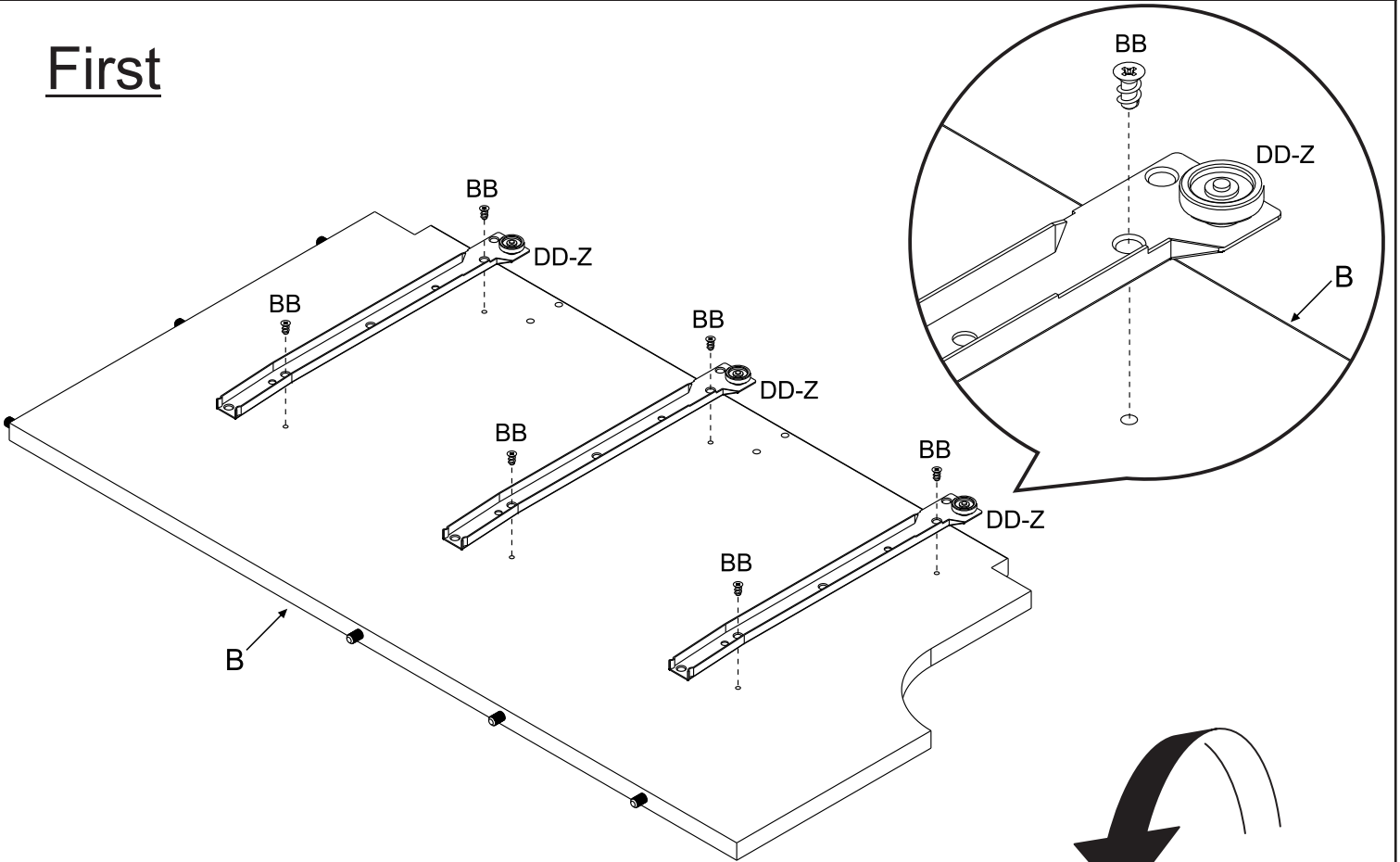
### STEP 4



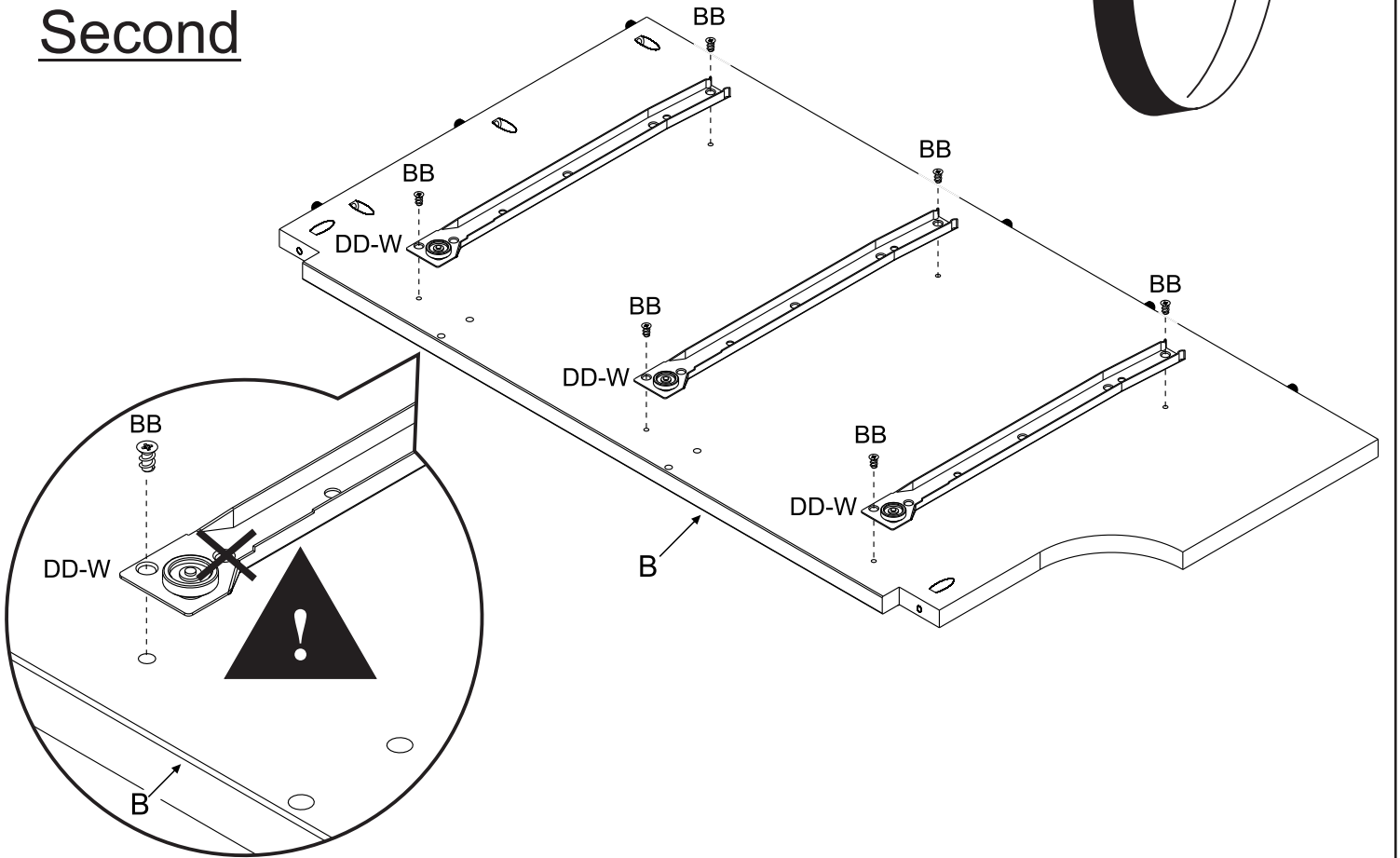


# STEP 5

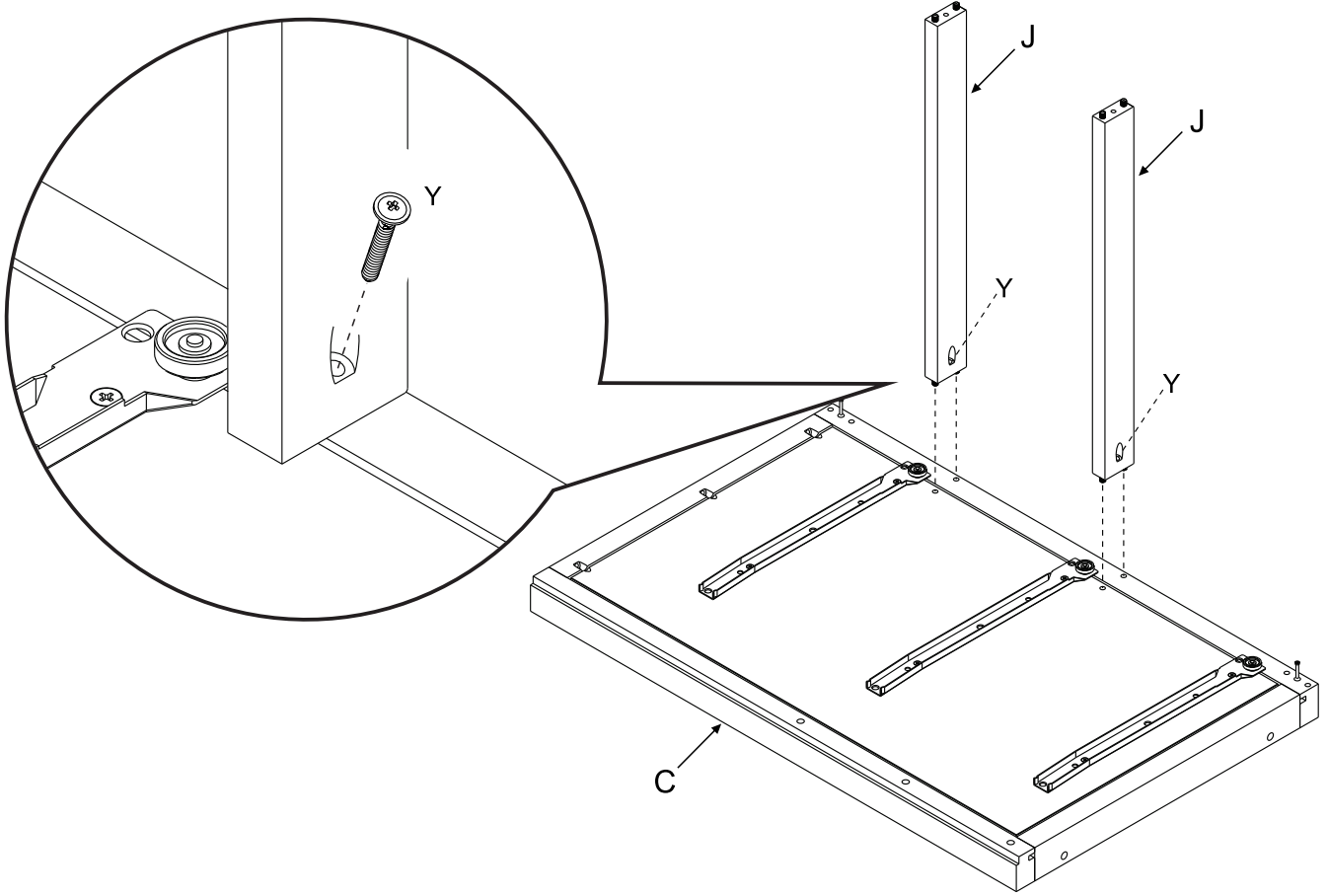
## First



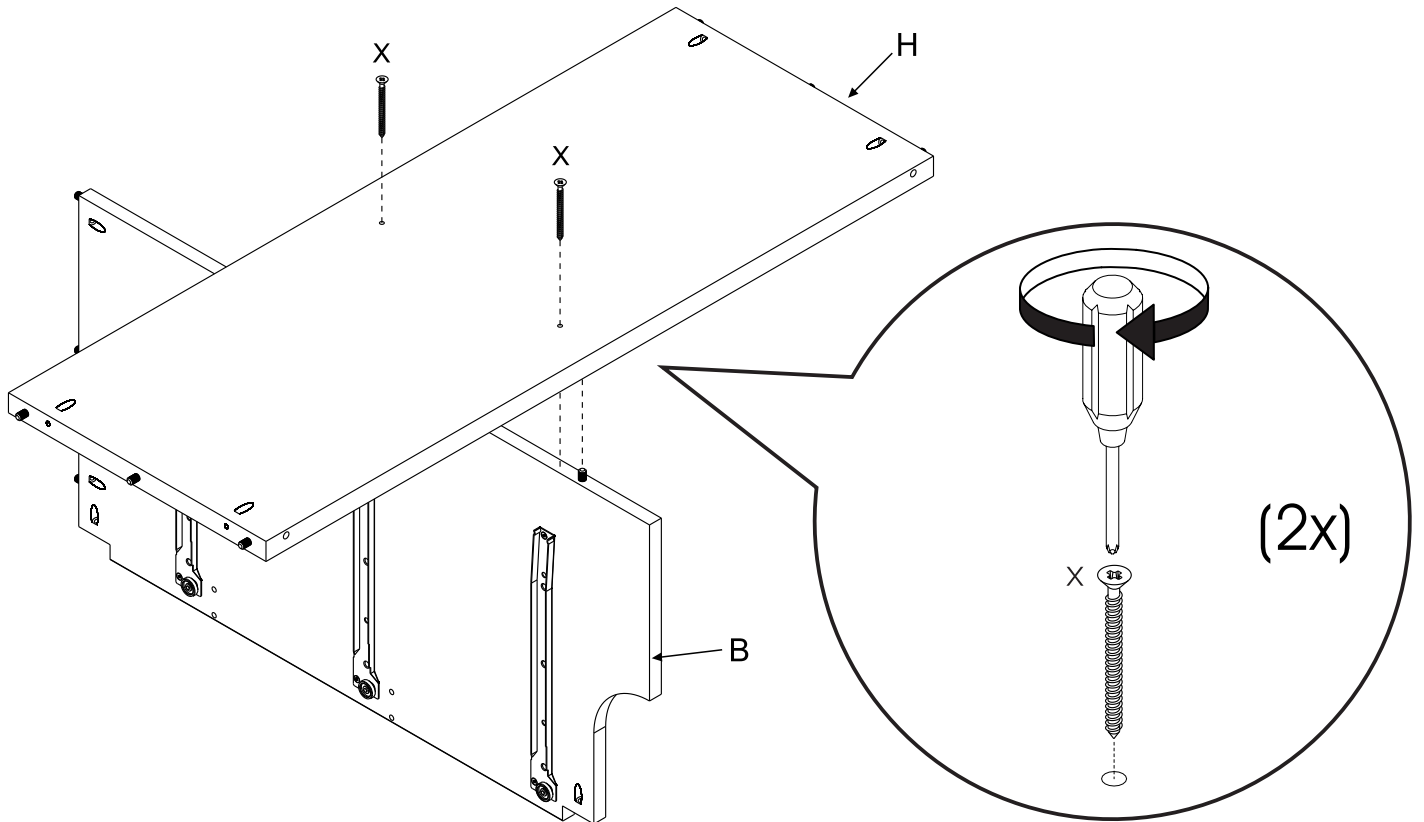
## Second



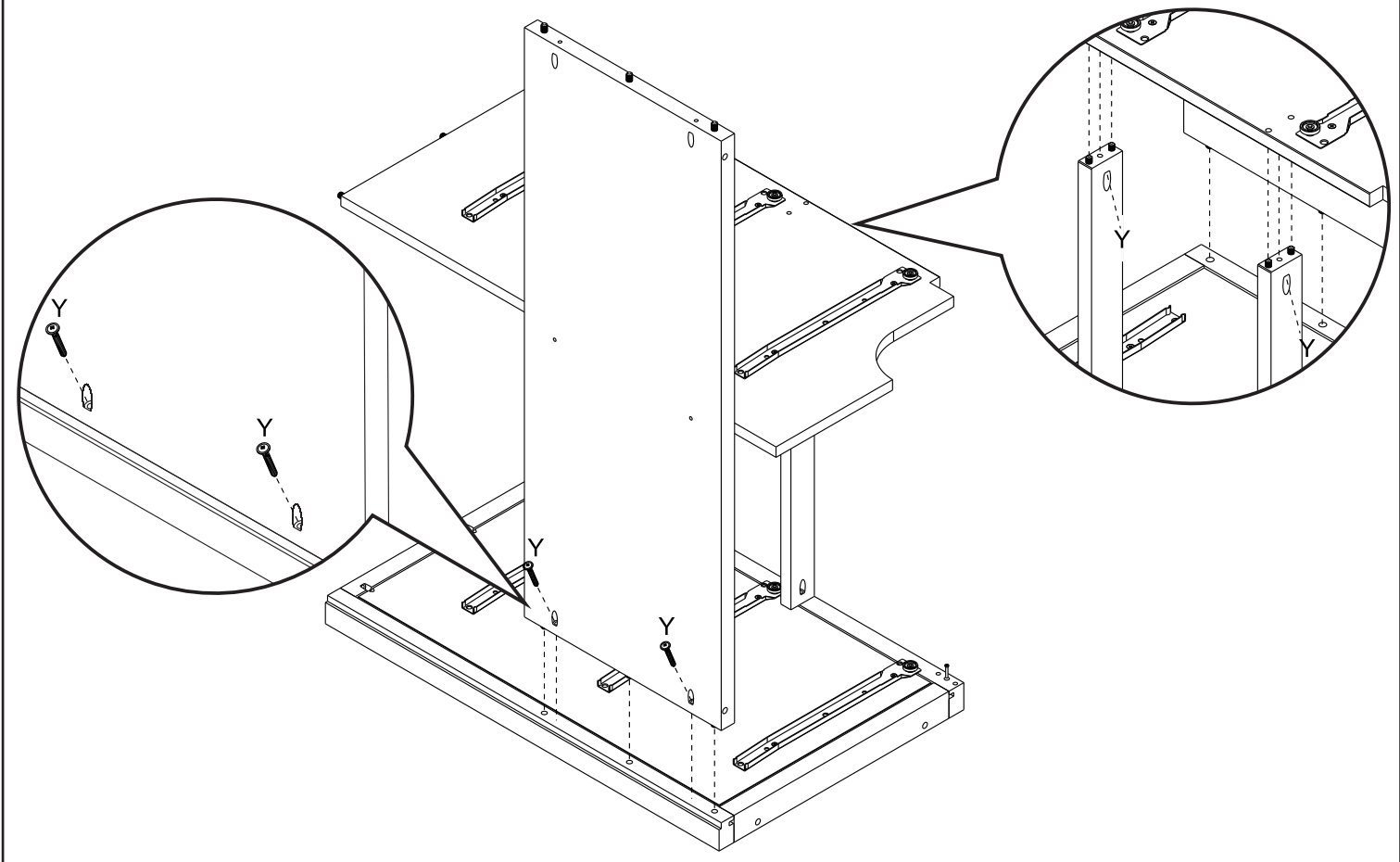
# STEP 6



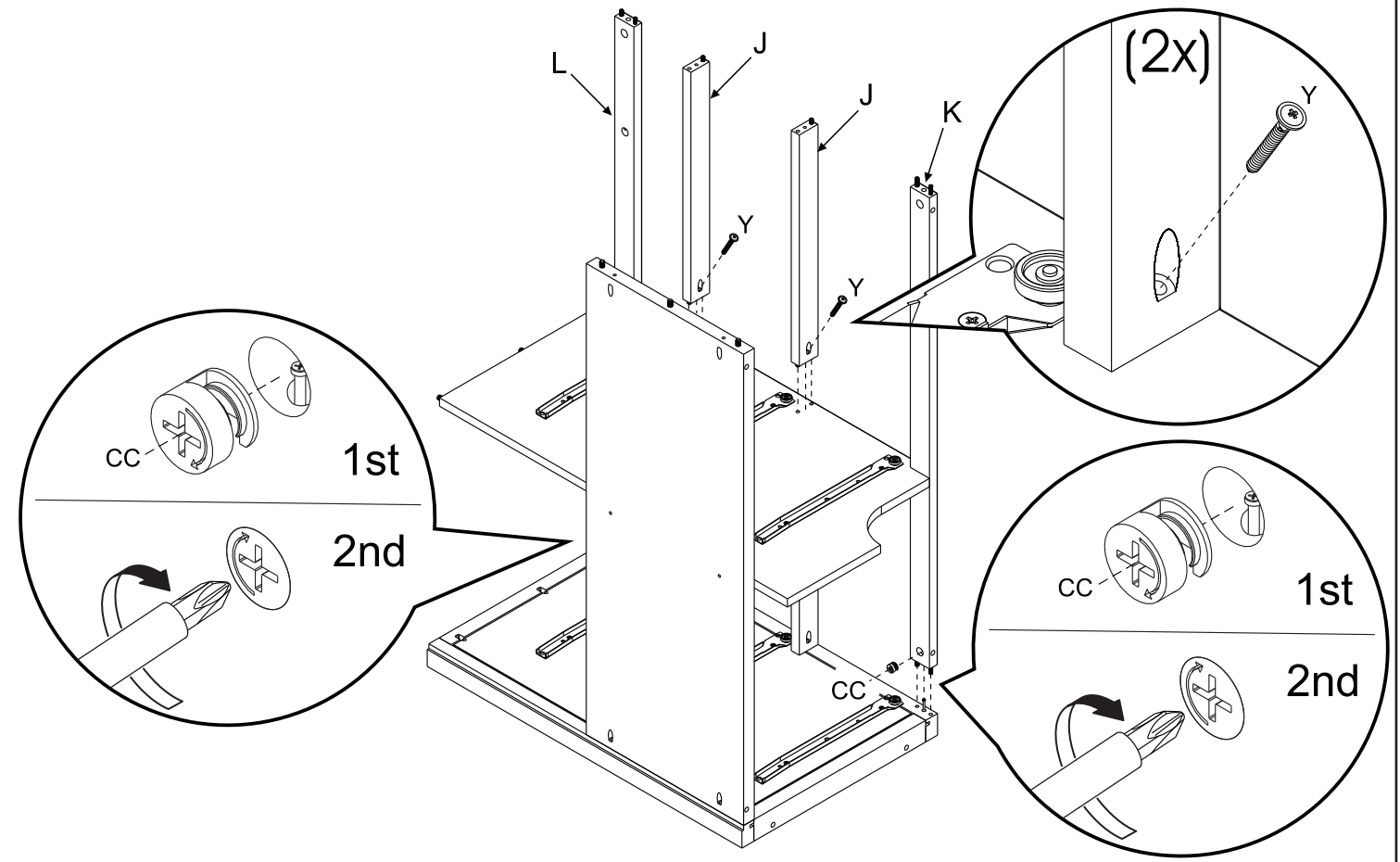
# STEP 7



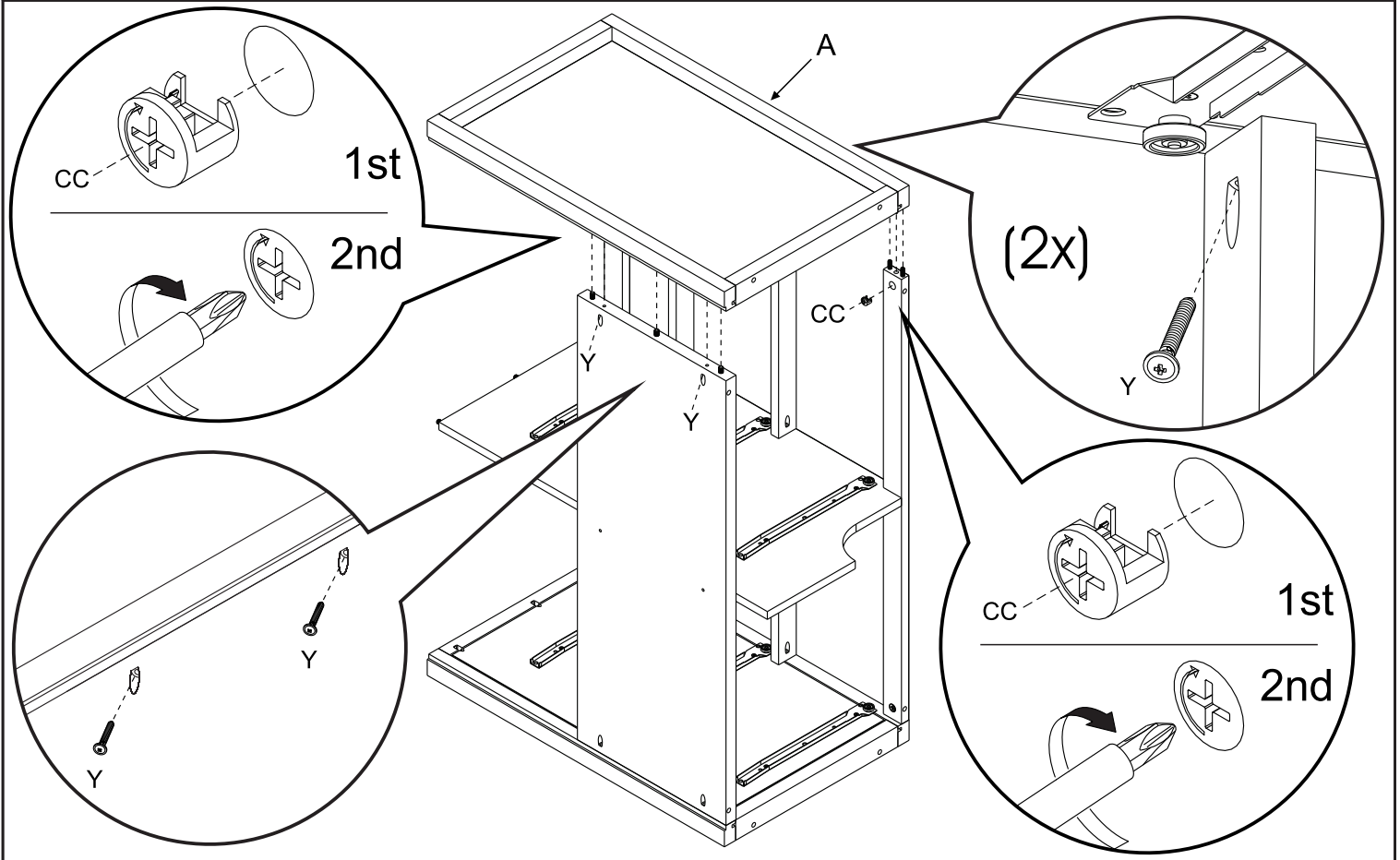
# STEP 8



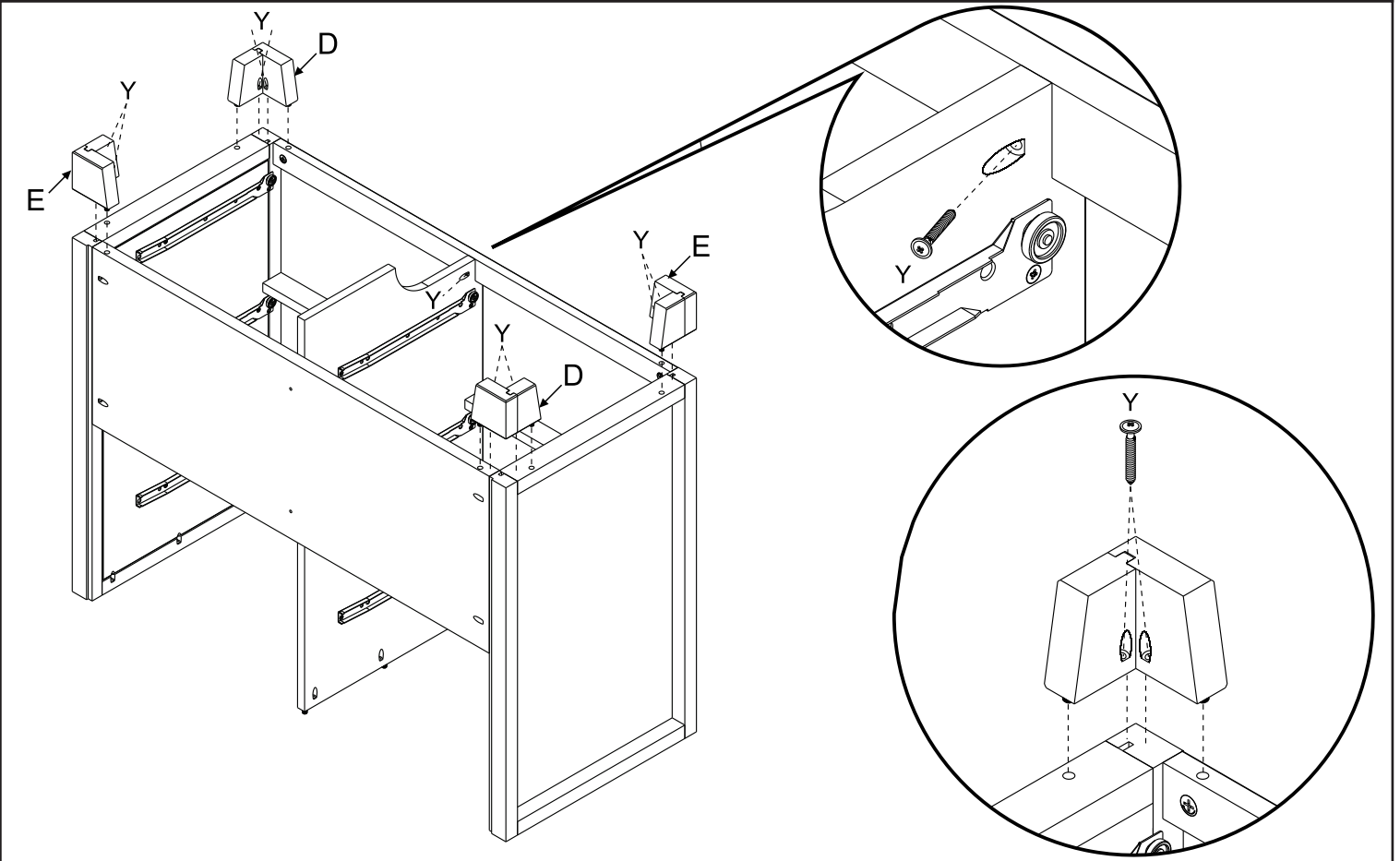
# STEP 9



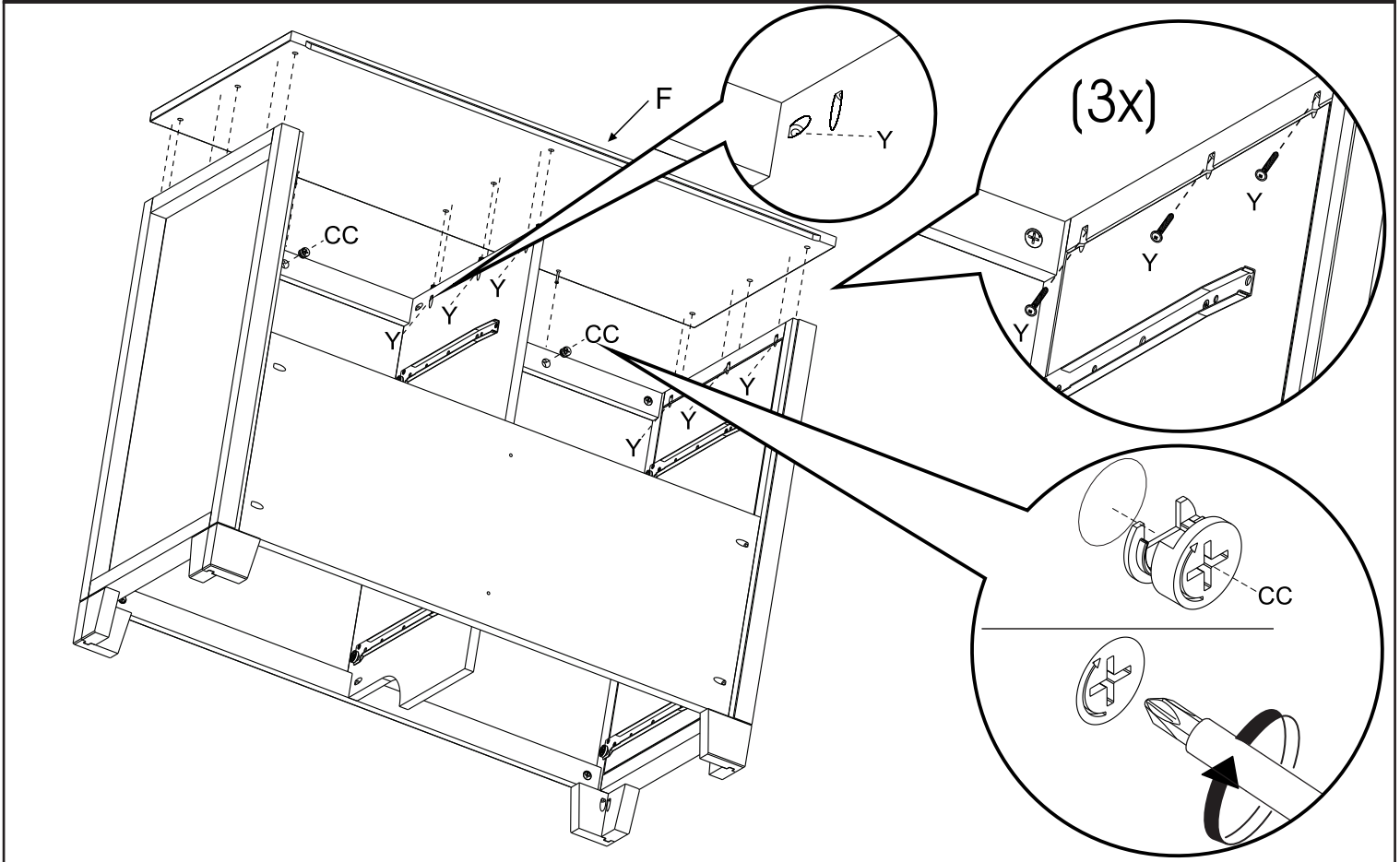
# STEP 10



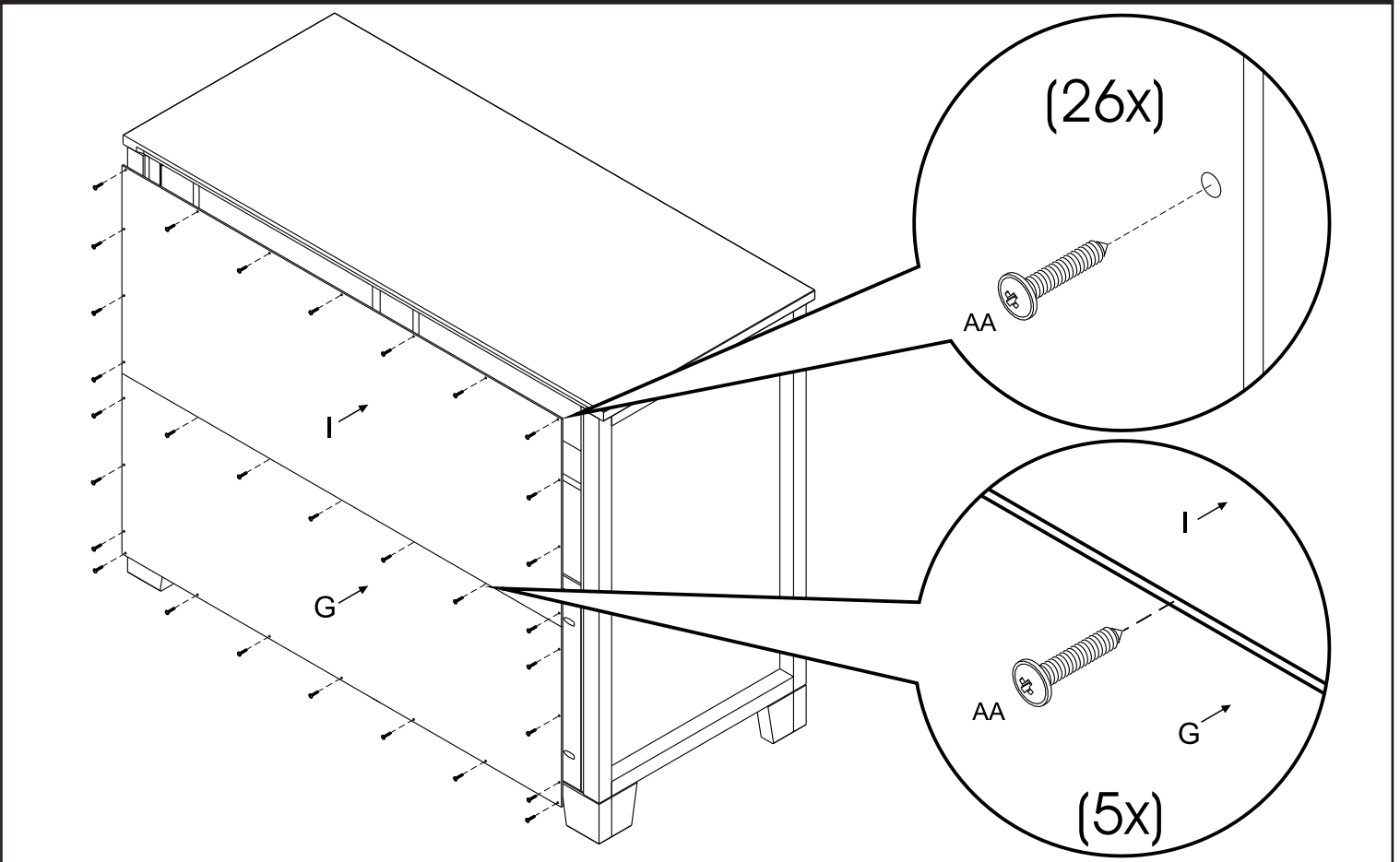
# STEP 11



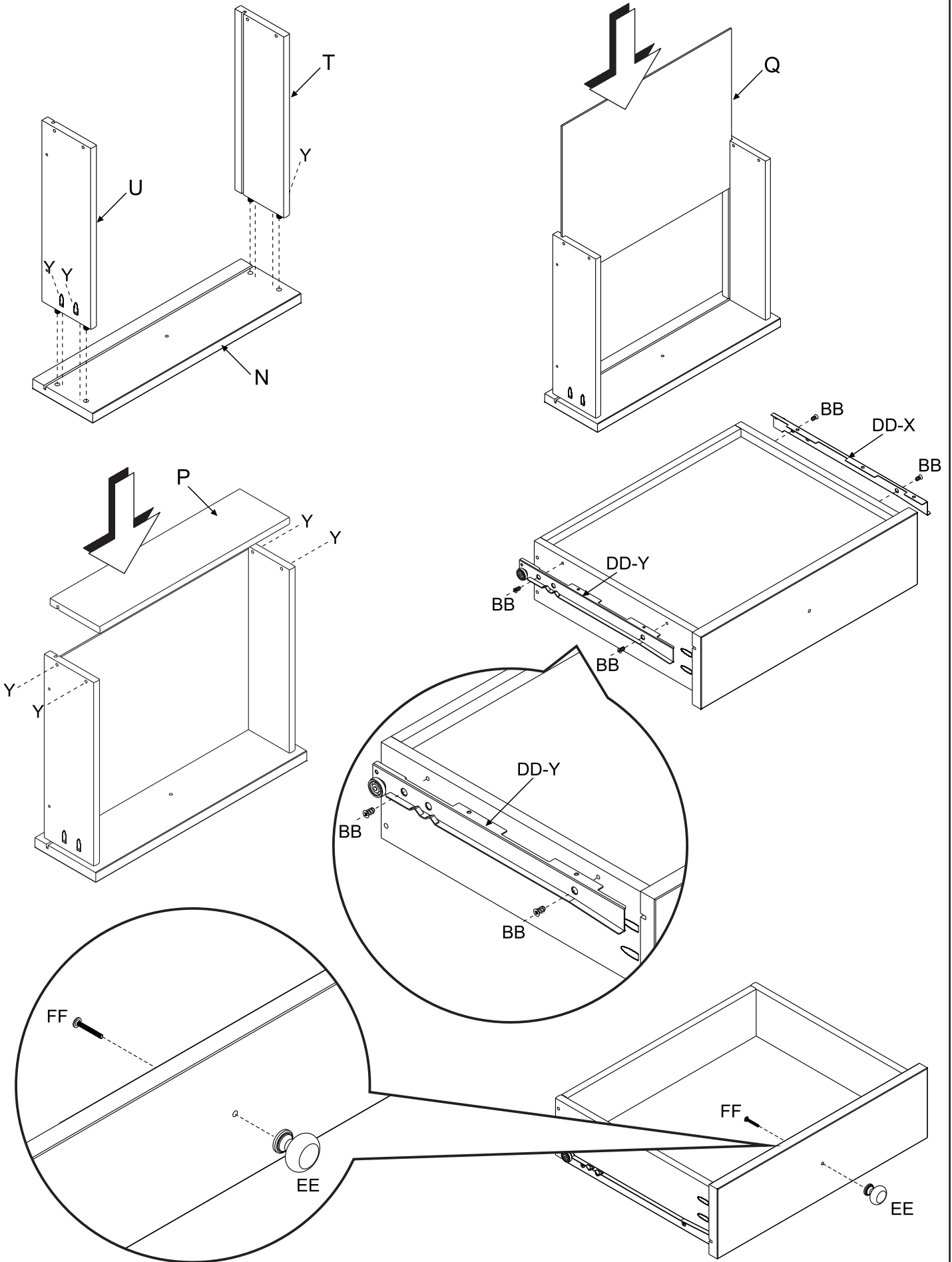
## STEP 12



## STEP 13

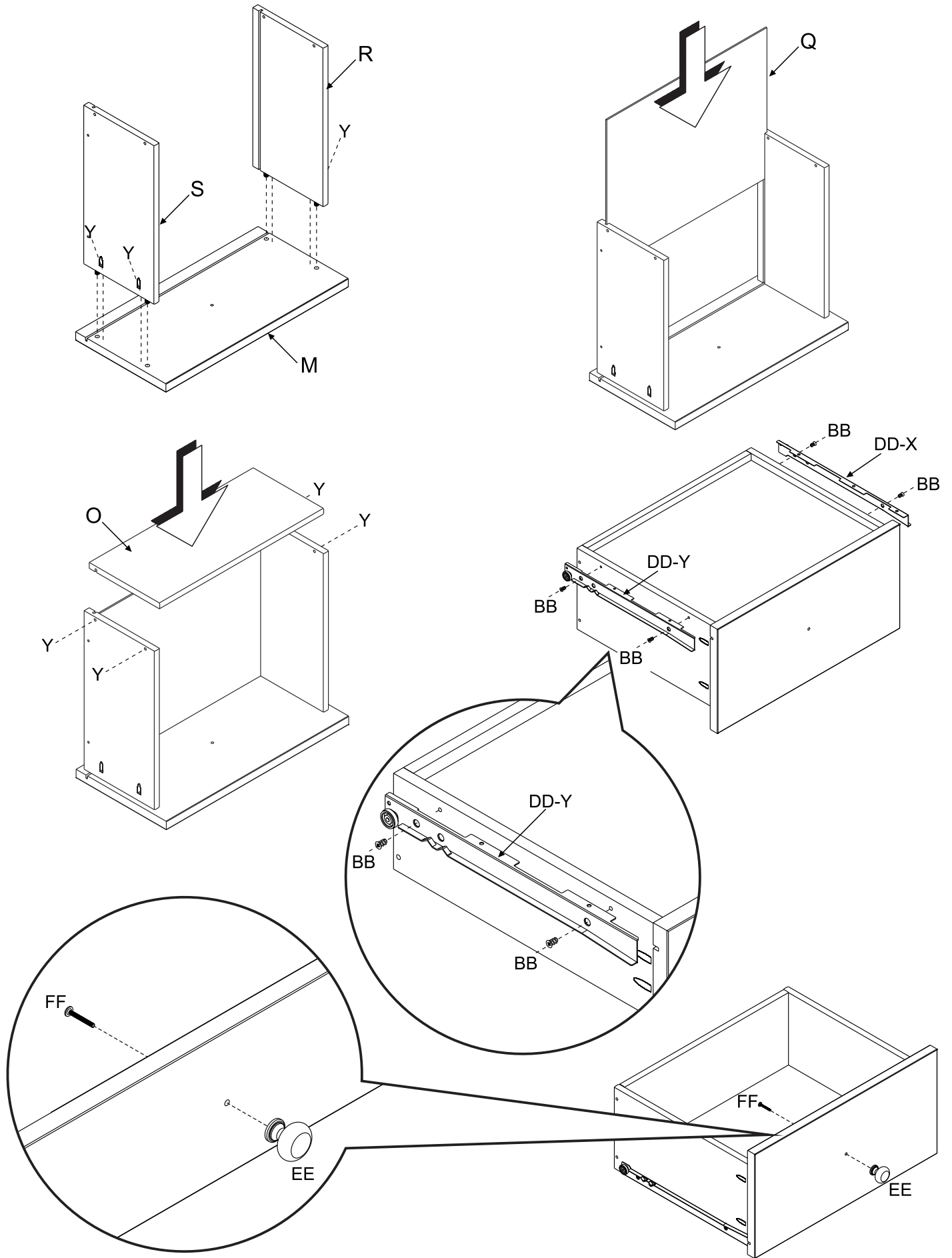


# STEP 14 (2x)





# STEP 15 (4x)



## STEP 16

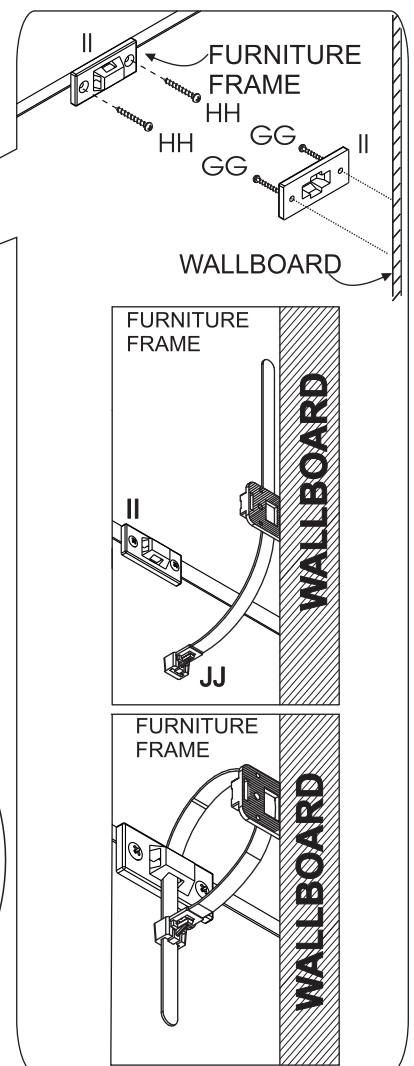
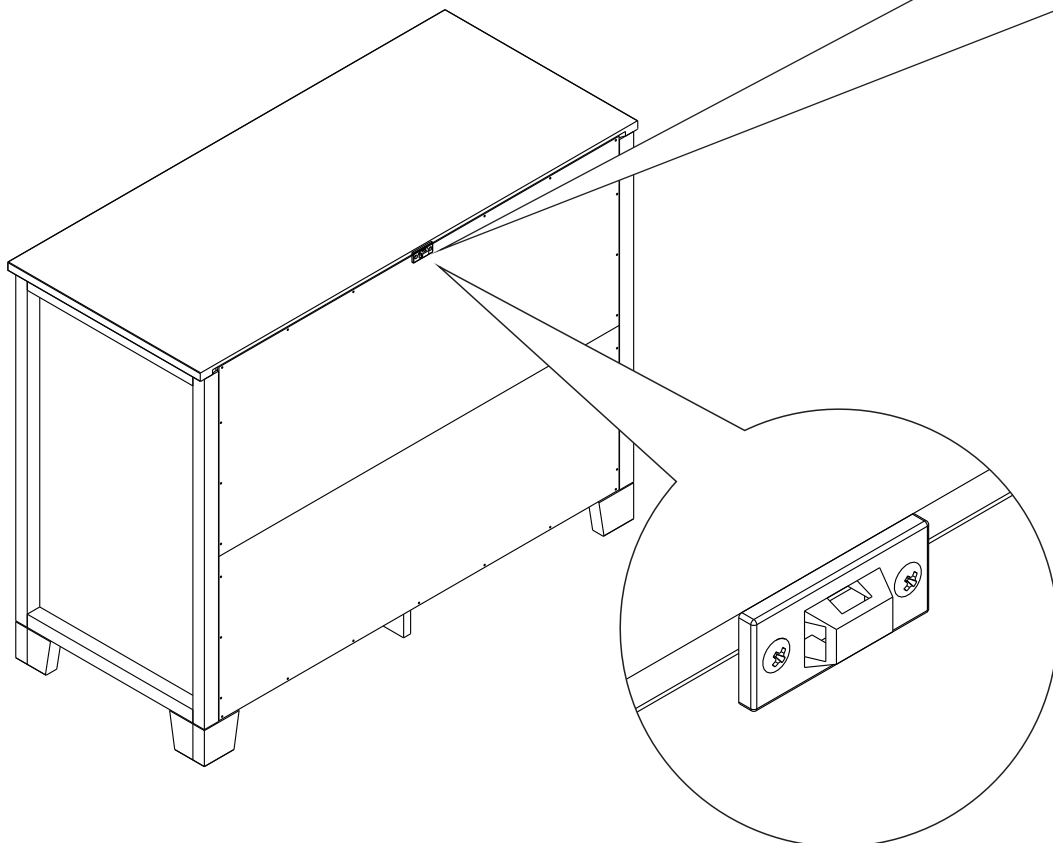
### ANTI-TIP RESTRAINT ASSEMBLY INSTRUCTION

Anti-tip Restraint Assembly is REQUIRED in order to complete construction of this product. When properly installed, this hardware can provide additional protection against the unexpected tipping of furniture.

#### ASSEMBLY INSTRUCTIONS:

- 1) Attach one bracket "II" to back of unit using ( 2 ) of screw "HH" as shown in diagram below.
  - 2) Place the furniture against wall at the desired location in your room. Mark the location on the wall which will position a second bracket "II" approximately 1" lower than the one attached to the unit.
  - 3) Remove furniture from desired location to allow installation of a second bracket "II" on wall. Attach the second bracket "II" to the wall. Note-if a "Hollow Wall Anchor Bolt" system (not provided) is used, it will be necessary to purchase a type that is appropriate for your wall construction and will also be compatible with bracket "II".
- If bracket "II" is mounted into a wall stud then it may be necessary to bore a 5/64" diameter x 1" deep pilot hole into the wall at the location of each of the 2 screw holes in bracket "II". This will assist in an easier installation of the 2 screws "GG".
- 4) Move furniture back into the desired location approximately 3" away from the wall.
  - 5) **Lace an end of the nylon restraint strap "JJ" through each bracket. Bring both ends together and slide the beaded end of the strap through the keyhole shaped slot on the other end. Pull down on the beaded end until it snap-locks into the keyhole.**

- 6) Move furniture against wall and continue to adjust nylon restraint strap to secure unit snugly against wall.
- 7) **Check to make sure the strap is securely laced and locked to the brackets.**

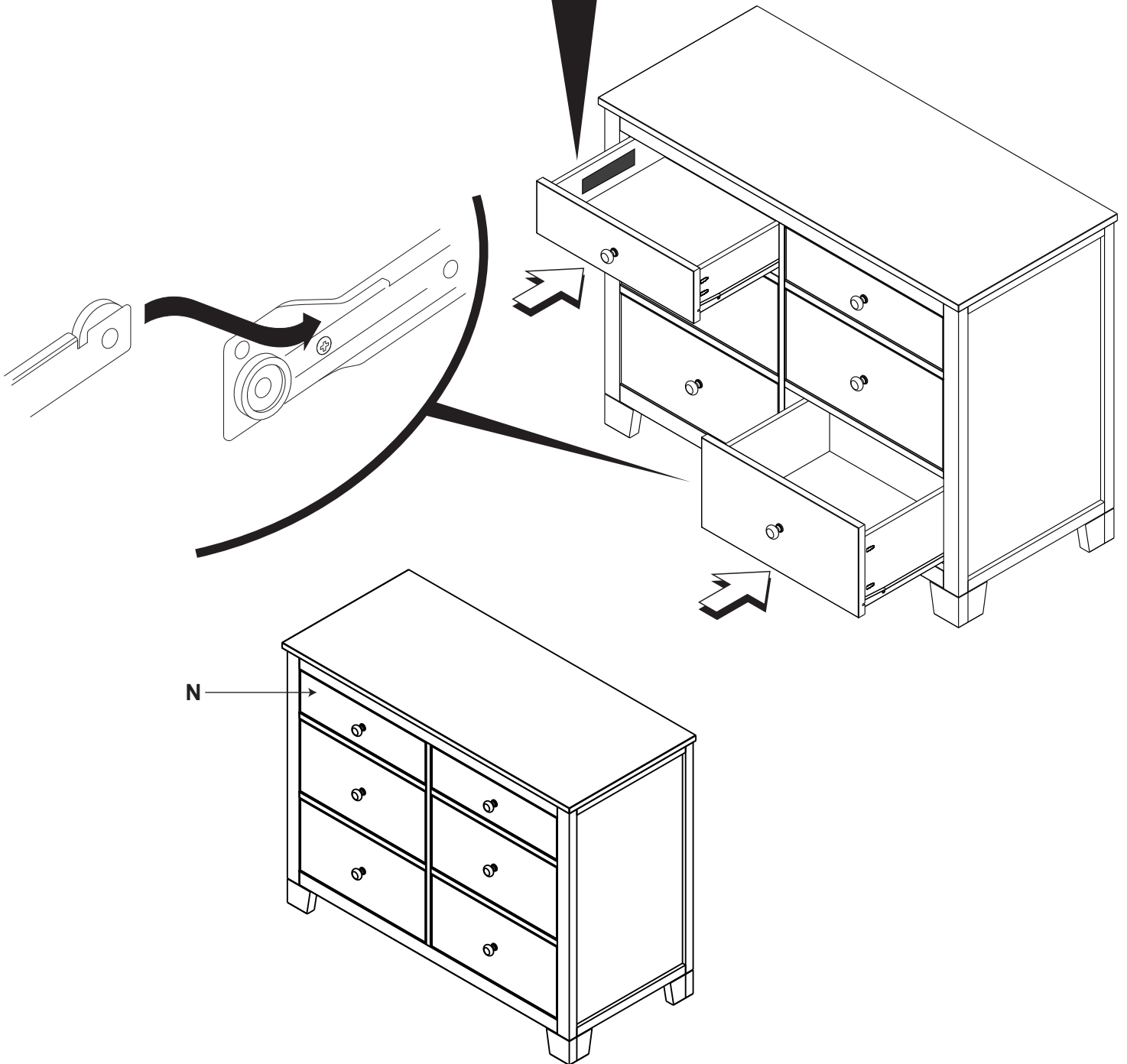


# STEP 17

## Please review warning label inside of top drawer.

⚠ WARNING	⚠ AVERTISSEMENT	⚠ ADVERTENCIA
<p><b>Serious or fatal crushing injuries can occur from furniture tip-over. To help prevent tip-over:</b></p> <ul style="list-style-type: none"> <li>• Install tipover restraint provided.</li> <li>• Place heaviest items in the lowest drawers.</li> <li>• Do not set TV's or other heavy objects on top of this product, unless the product is specifically designed to accommodate them.</li> <li>• Never allow children to climb or hang on drawers, doors or shelves.</li> <li>• Never open more than one drawer at a time.</li> </ul> <p><b>Use of tip-over restraints may only reduce, but not eliminate, the risk of tip-over.</b></p> <p><i>This is a permanent label. Do not remove!</i></p> 	<p><b>Des blessures graves ou mortelles peuvent survenir à la suite d'un renversement de meubles. Pour aider à prévenir les renversements:</b></p> <ul style="list-style-type: none"> <li>• Installer retenue de renversement fourni.</li> <li>• Placez les articles les plus lourds dans les tiroirs du bas.</li> <li>• Ne placez pas de téléviseurs ou d'autres objets lourds sur ce dessus produit, sauf si le produit est spécifiquement conçu pour les accommoder.</li> <li>• Jamais permettre aux enfants de grimper ou de se pendre drawers, portes ou des étagères.</li> <li>• Ne jamais ouvrir plus d'un tiroir à la fois.</li> </ul> <p><b>Les dispositifs anti-renversement peuvent uniquement réduire et non pas éliminer les risques de renversement.</b></p> <p><i>Ceci est une étiquette permanente. Ne pas enlever!</i></p>	<p><b>Las lesiones por aplastamiento graves o mortales pueden ocurrir al volcarse los muebles. Para ayudar a prevenir el vuelco:</b></p> <ul style="list-style-type: none"> <li>• Instale la fijación contra volcamientos que se proporciona.</li> <li>• Coloque los objetos más pesados en los cajones inferiores.</li> <li>• No coloque televisores u otros objetos pesados sobre este producto, a menos que el producto esté específicamente diseñado para complacerlos.</li> <li>• Nunca permita que los niños escalen ni se cuelquen de cajones, puertas ni estantes.</li> <li>• Nunca abra más de un cajón a la vez.</li> </ul> <p><b>El uso de fijaciones contra volcamientos solo puede reducir, pero no eliminar, el riesgo de volcamiento.</b></p> <p><i>Esta es una etiqueta permanente. No la saque.</i></p>

S1378E



## ***Maintenance Cleaning and Storage***

### **MAINTENANCE:**

Upon completion of the assembly, check to make sure all screws, bolts and connectors are tightened and secure.

Periodically check furniture for damaged hardware, loose joints, missing parts or sharp edges before and after assembly and frequently during use.

DO NOT use furniture if any parts are missing or broken.

If any parts are missing, broken or you need assistance DO NOT return furniture to your dealer.

Call Child Craft at 330.723.0599 and include model identification numbers recorded on page 1.

DO NOT substitute parts.

### **CLEANING:**

Mix a mild solution of gentle dishwashing soap and water, apply to surface using a clean cloth lightly dampened in the solution. Rinse well with clear water using a soft clean cloth, then dry all surfaces with a soft dry cloth.

**DO NOT use abrasive cleaners or any cleaners with harsh chemicals that would contact a child's skin, scouring pads, steel wool or coarse rags. This furniture should be treated the same as any fine furniture.**

### **STORAGE:**

**When storing furniture use caution as extreme temperature or humidity changes could be harmful.**

**Use caution when a vaporizer is in use. Always aim vapor stream away from furniture as well as away from any wood furniture item.**

**After completing the assembly the user is advised to read and be aware of**

**ALL WARNINGS, CAUTIONS, CLEANING, STORAGE USE AND MAINTENANCE. Please store the complete set of assembly directions for future referral.**