



Foundations Worldwide, Inc.  
5216 Portside Dr., Medina, OH 44256 USA • PH: 1.330.723.0599 • FAX: 1 330.722.5037  
www.childcraftbaby.com

## Rockport Desk Model Covered: F01418

**KEEP INSTRUCTIONS FOR FUTURE USE.**

FOR CUSTOMER SERVICE CALL  
1-330-723-0599. DO NOT CALL RETAILER OR  
RESELLER FOR SERVICE AS THEY ARE NOT  
AUTHORIZED TO RESOLVE ANY SERVICE  
ISSUES.

FOR WARRANTY AND FEDERAL SAFETY  
STANDARD COMPLIANCE CERTIFICATES,  
PLEASE VISIT OUR WEBSITE AT  
www.childcraftbaby.com

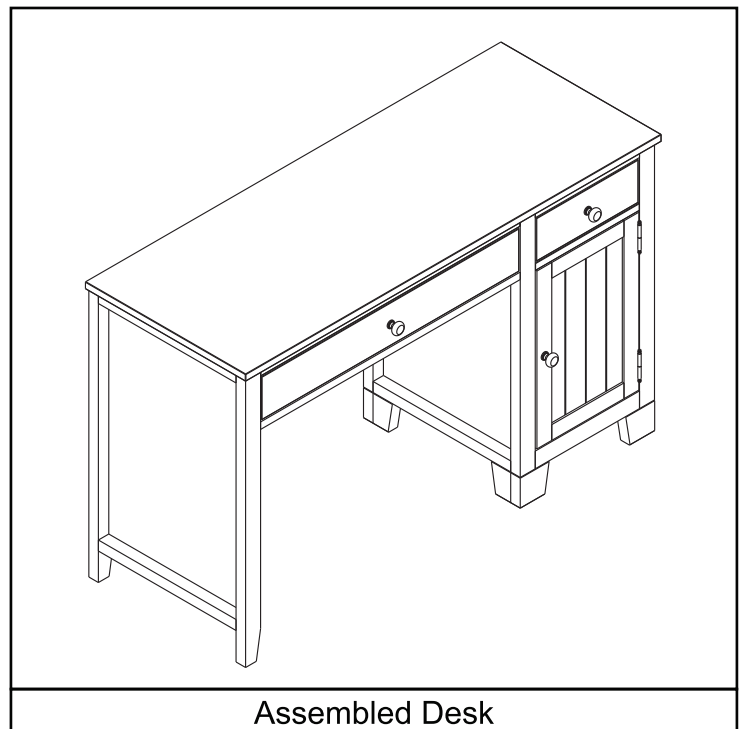
### **ASSEMBLY ASSISTANCE**

**IMPORTANT: Retain for future reference and read carefully.**

Child Craft strives for the highest quality in our products but occasionally a missing part or problem can occur during assembly. If any parts are missing, broken, or you need assistance with assembly, DO NOT return the product to your dealer. Go to our website at [www.childcraftbaby.com](http://www.childcraftbaby.com) or call Child Craft for assistance at 1-330-723-0599 (Monday through Friday, 9:00 a.m.-4:00 p.m. Eastern Time). Please have the model number and manufacture date available when you call or write us at:  
Child Craft, 5216 Portside Dr., Medina, OH. 44256

### **ASSEMBLY INSTRUCTIONS**

- Adult assembly required.
- Read all instructions BEFORE assembly and USE of product.
- Unpack carton, remove packing materials, including polybag. Identify and check all parts.



Assembled Desk

Record the information for your product here:

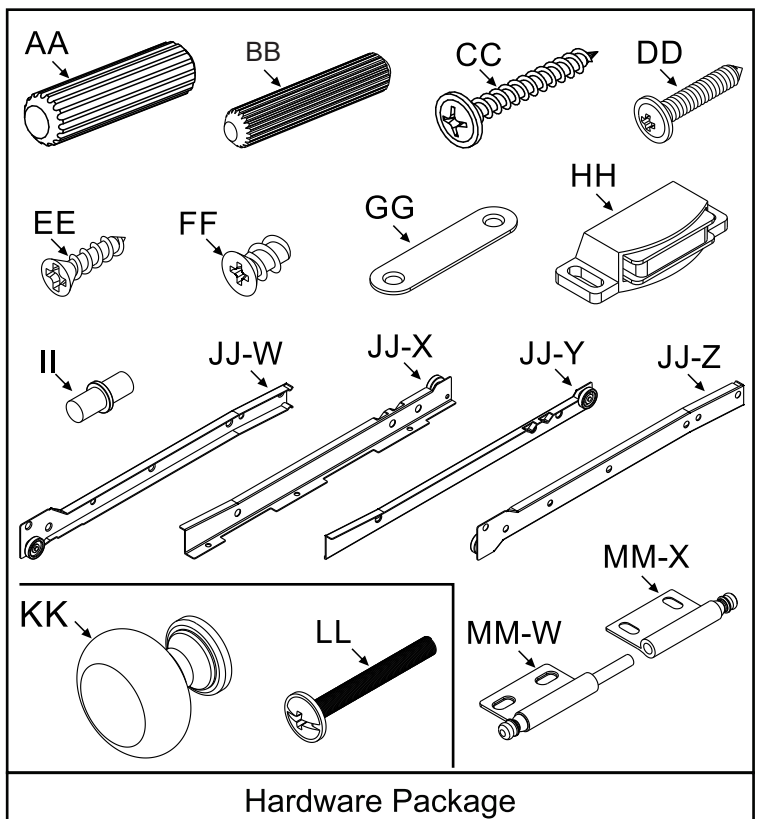
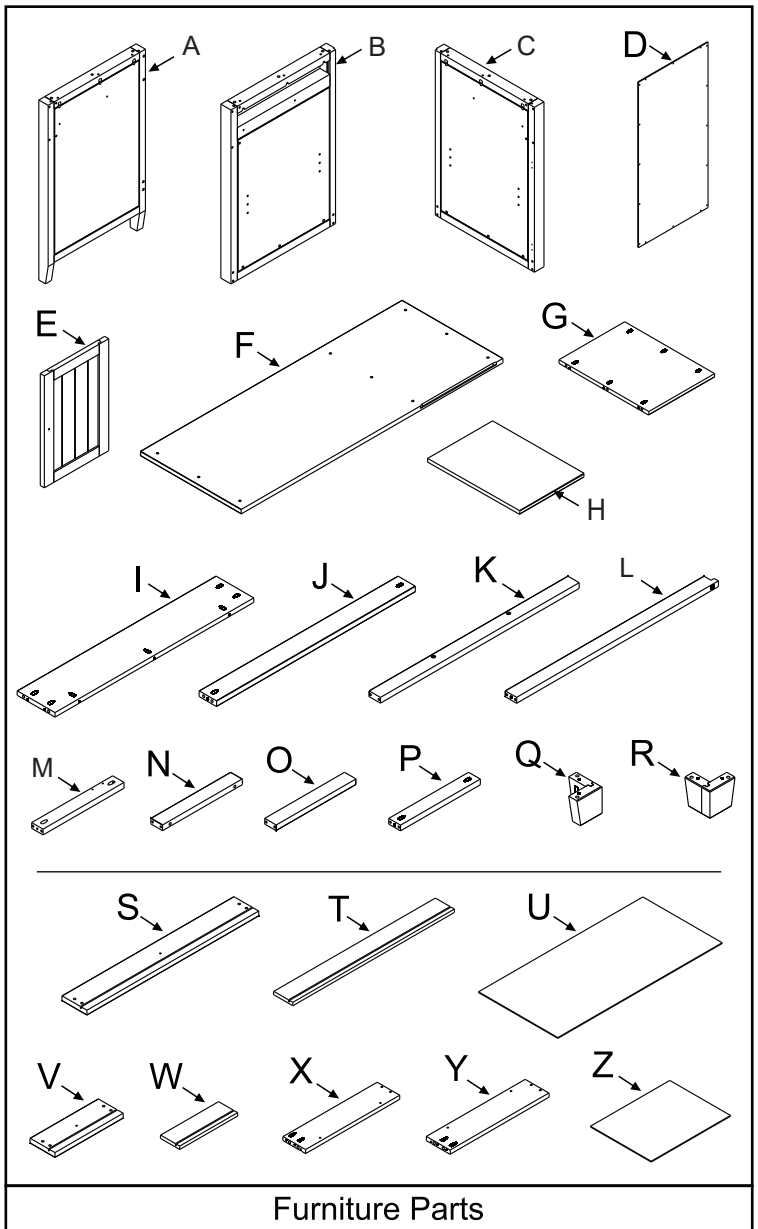
Model number: \_\_\_\_\_

Manufacture date: \_\_\_\_\_

PO number: \_\_\_\_\_

## PARTS LIST

Part Description	Part Number	Quantity
A. End Panel - Left	92105936	1
B. Division	92105937	1
C. End Panel - Right	92105938	1
D. Back Panel	92103413	1
E. Door	92104981	1
F. Top Panel	92103415	1
G. Lower Panel	92103416	1
H. Shelf	92105939	1
I. Top Back Rail	92103418	1
J. Back Rail	92103419	1
K. Top Front Rail	92103420	1
L. Front Rail	92105940	1
M. Small Front Rail	92105941	1
N. Bottom Front Rail	92103423	1
O. Small Top Front Rail	92103424	1
P. Small Back Rail	92103425	1
Q. Foot - Right	92103343	2
R. Foot - Left	92103344	2
S. Drawer Front	92104982	1
T. Drawer Back	92103427	1
U. Drawer Bottom	92103428	1
V. Small Drawer Front	92104983	1
W. Small Drawer Back	92103430	1
X. Drawer Right Side	92103402	2
Y. Drawer Left Side	92103403	2
Z. Small Drawer Bottom	92103431	1
AA. Dowel Ø8	92105942	39
BB. Dowel Ø6	92105942	23
CC. Flat Head Screw	92105942	56
DD. Flat Head Screw	92105942	18
EE. Flat Head Screw	92105942	10
FF. Glides Screw	92103360	16
GG. Metal Plate	92103407	1
HH. Door Latch	92103408	1
II. Metal Pin	92105942	4
JJ. Glides	92103360	2
KK. Knob	92103358	3
LL. Knob Screw	92103358	3
MM. Door Hinge	92103409	2



## PREPARATION

Carefully remove and lay out all hardware and parts.

Check quantities and match the parts list.

Construct case on an even flat floor.

Note: during the assembly process whenever using screws or bolts, check each with the parts list by letter and size identification.

Be sure to use the proper size specified in the assembly directions. If any parts are missing or broken or you need assistance with assembly.

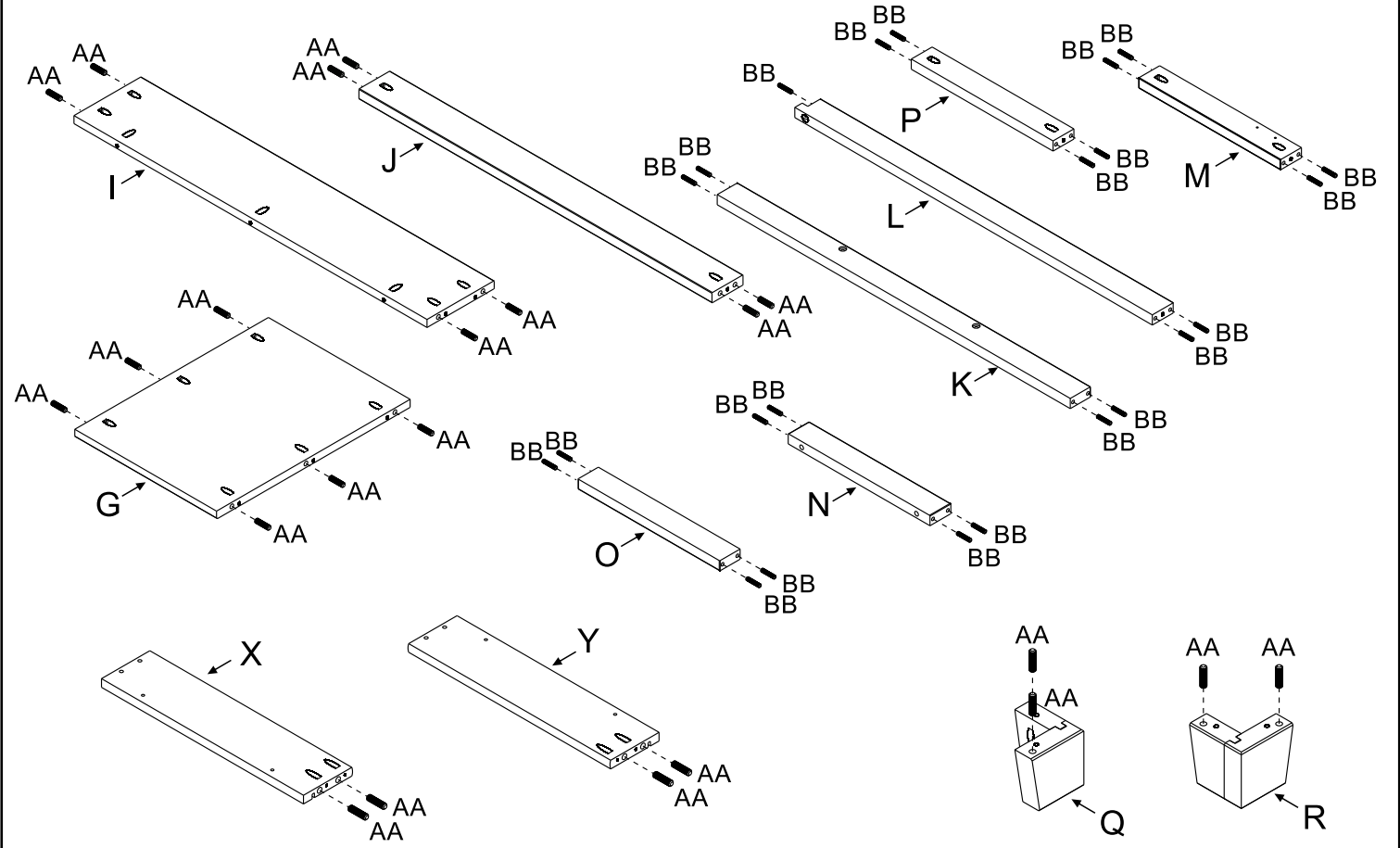
**DO NOT return your product to the dealer.** Please identify the furniture by the model number identification stamped on the assembly when you call or write to Child Craft. Make note of all identification numbers and include this information with your request.

**DO NOT Substitute Parts!**

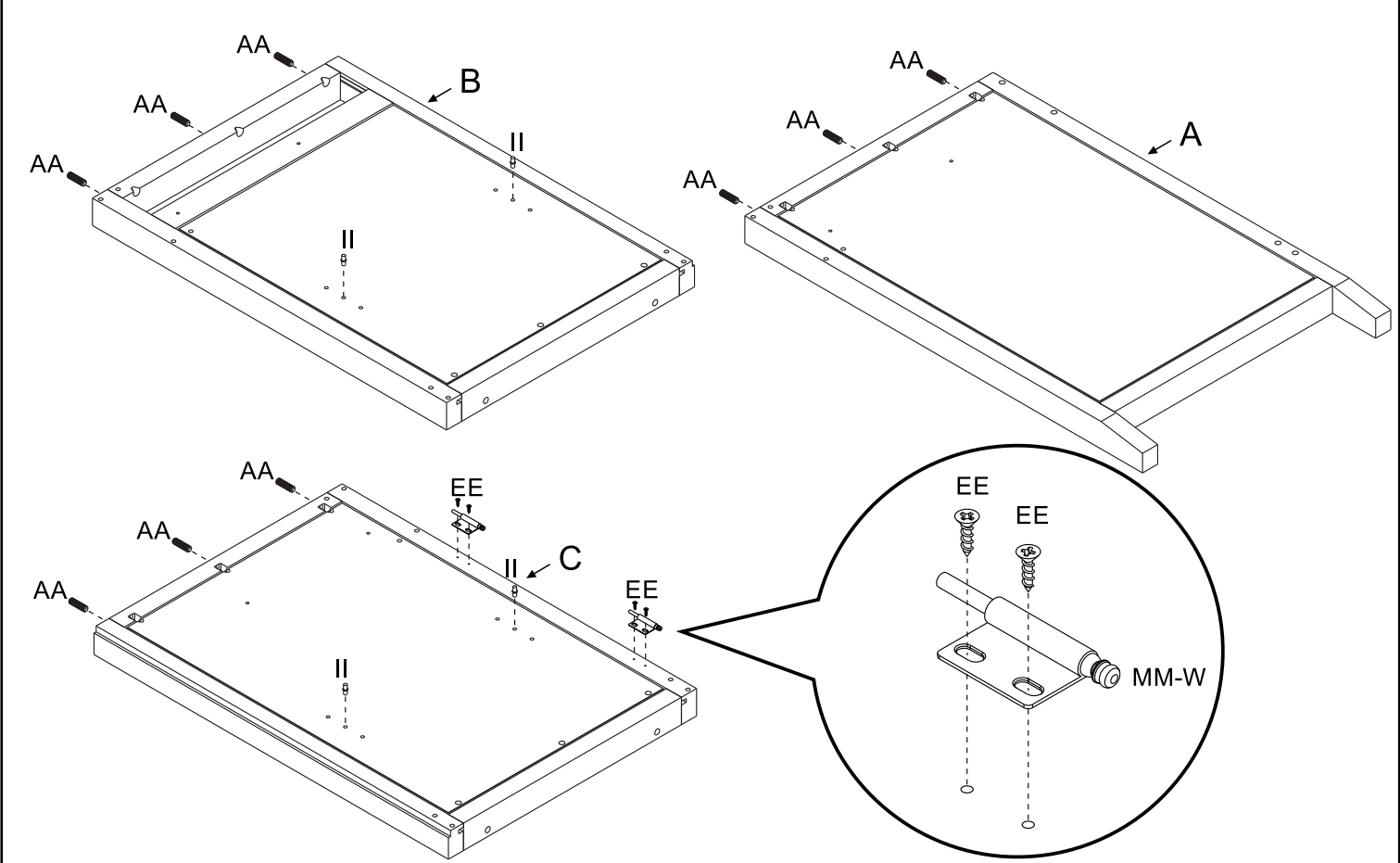
## SUGGESTED TOOLS

#2 Medium Straight Screwdriver

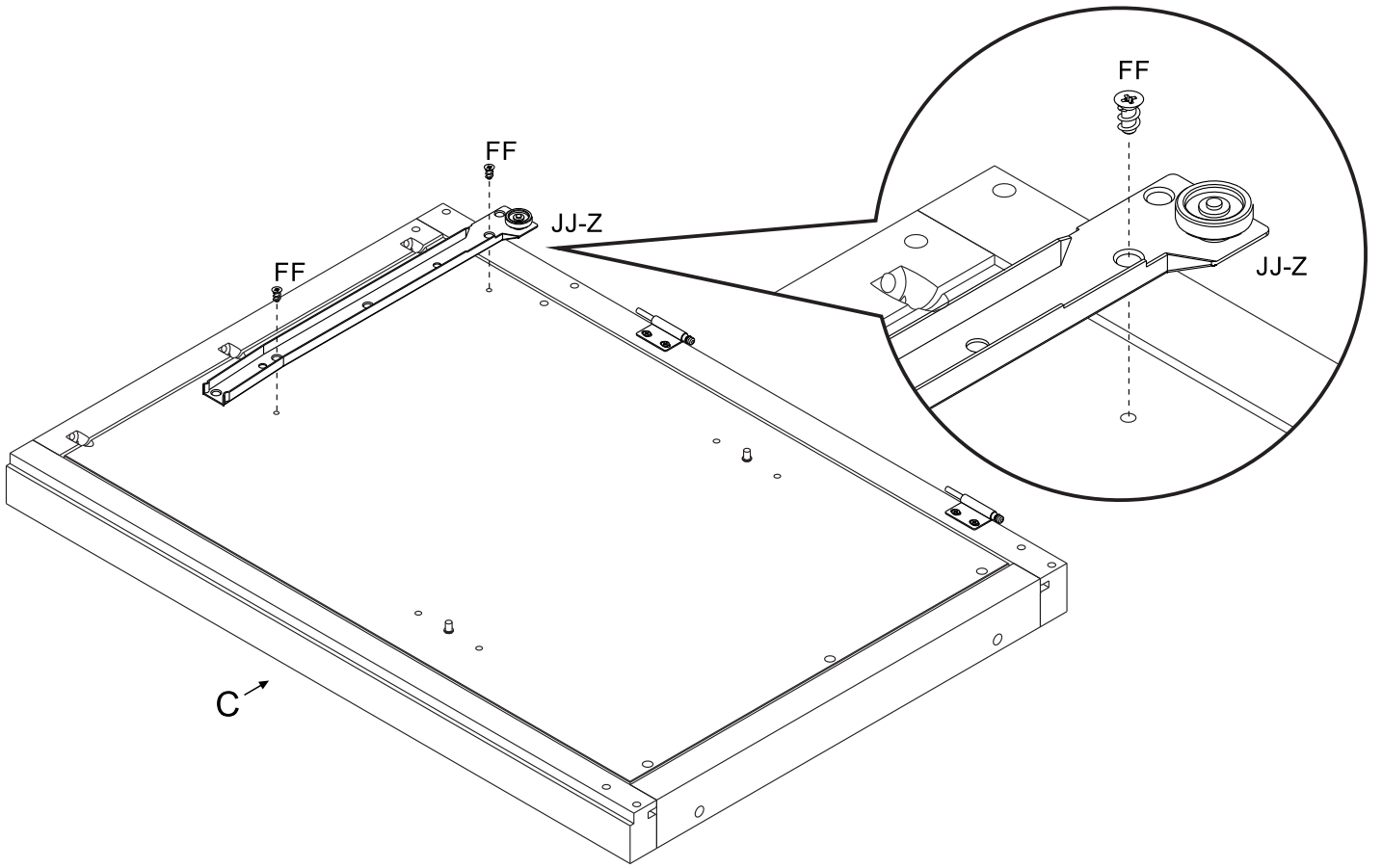
# STEP 1



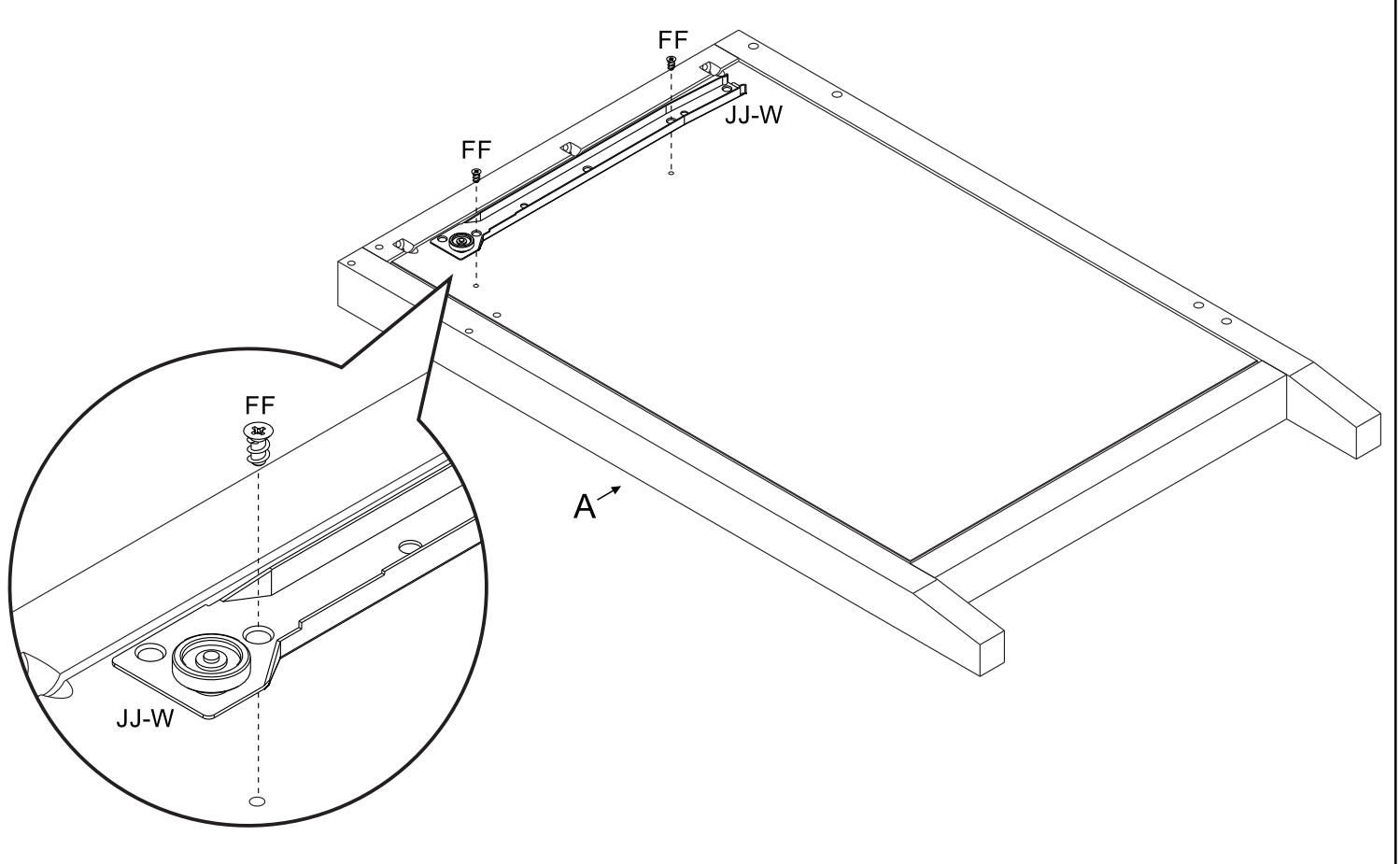
# STEP 2



### STEP 3

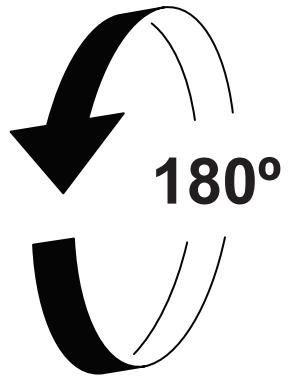
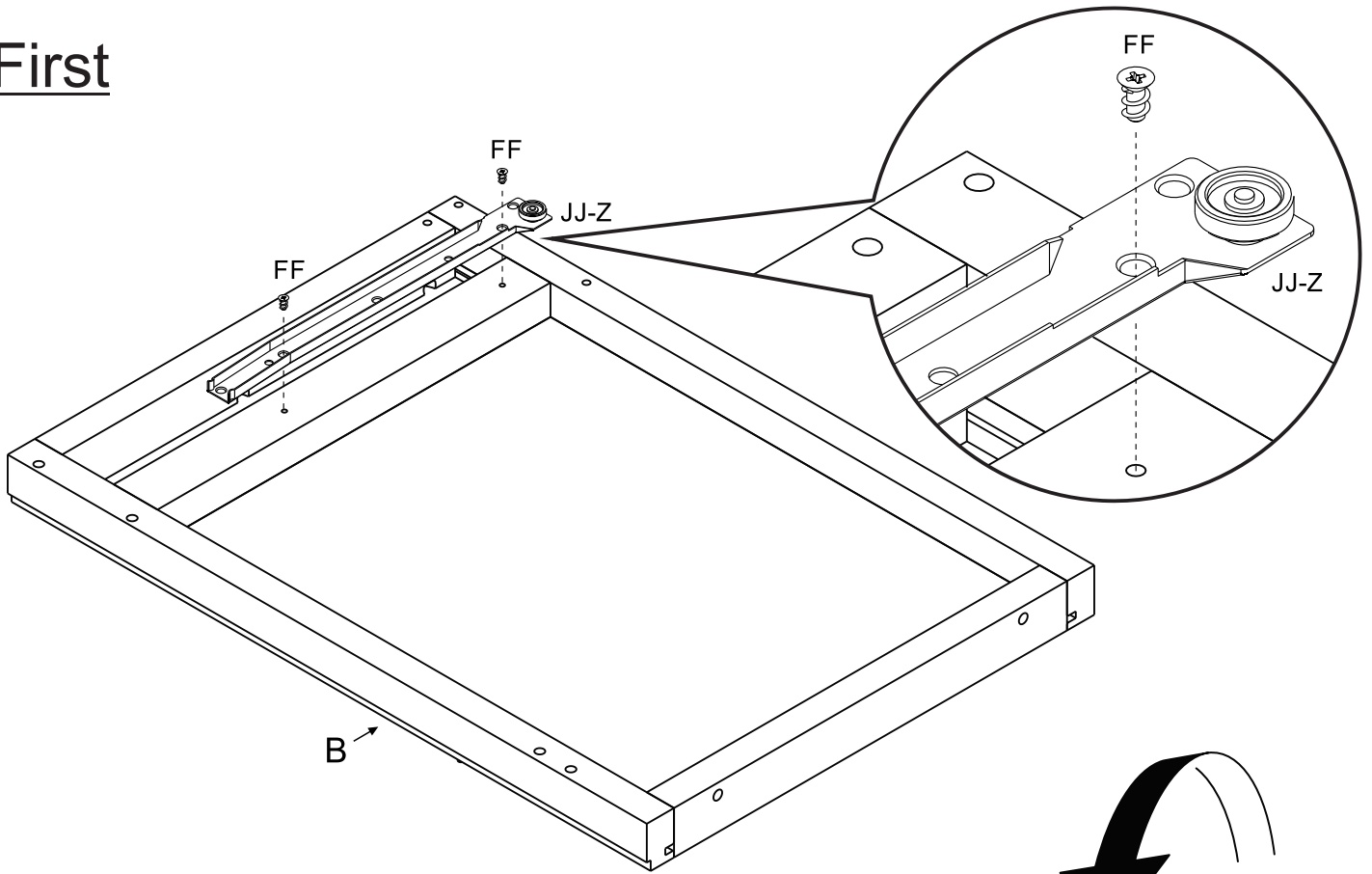


### STEP 4

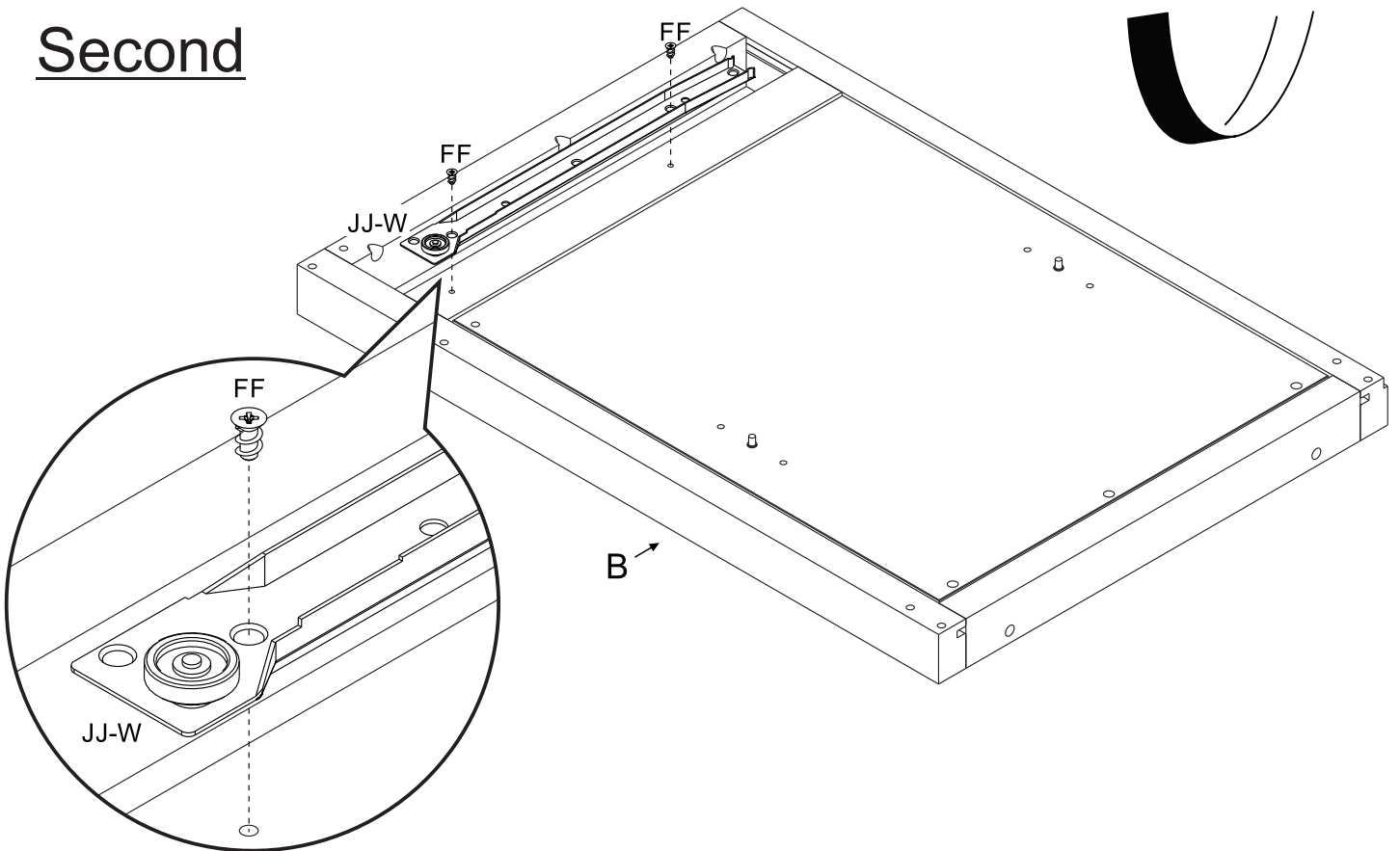


# STEP 5

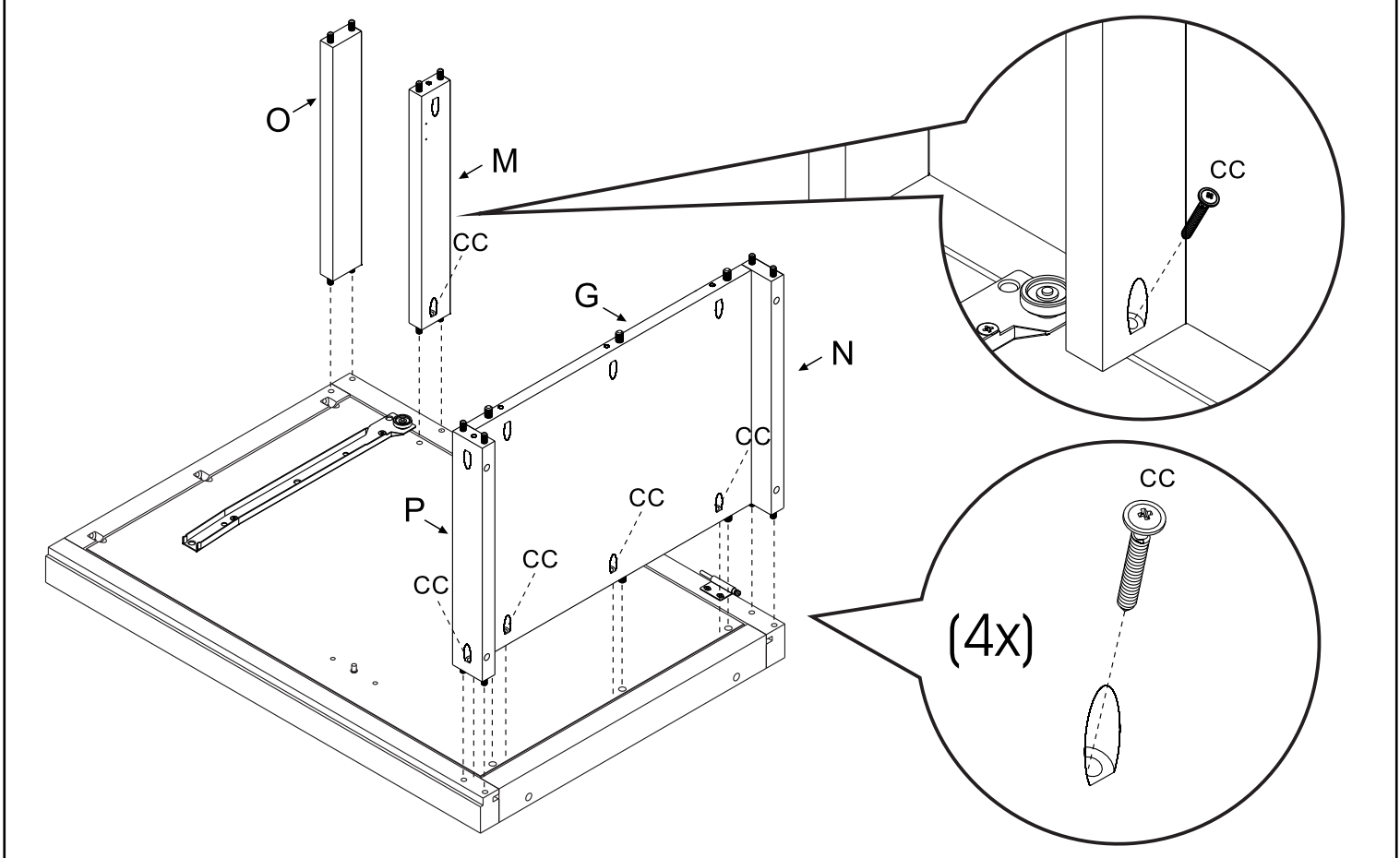
First



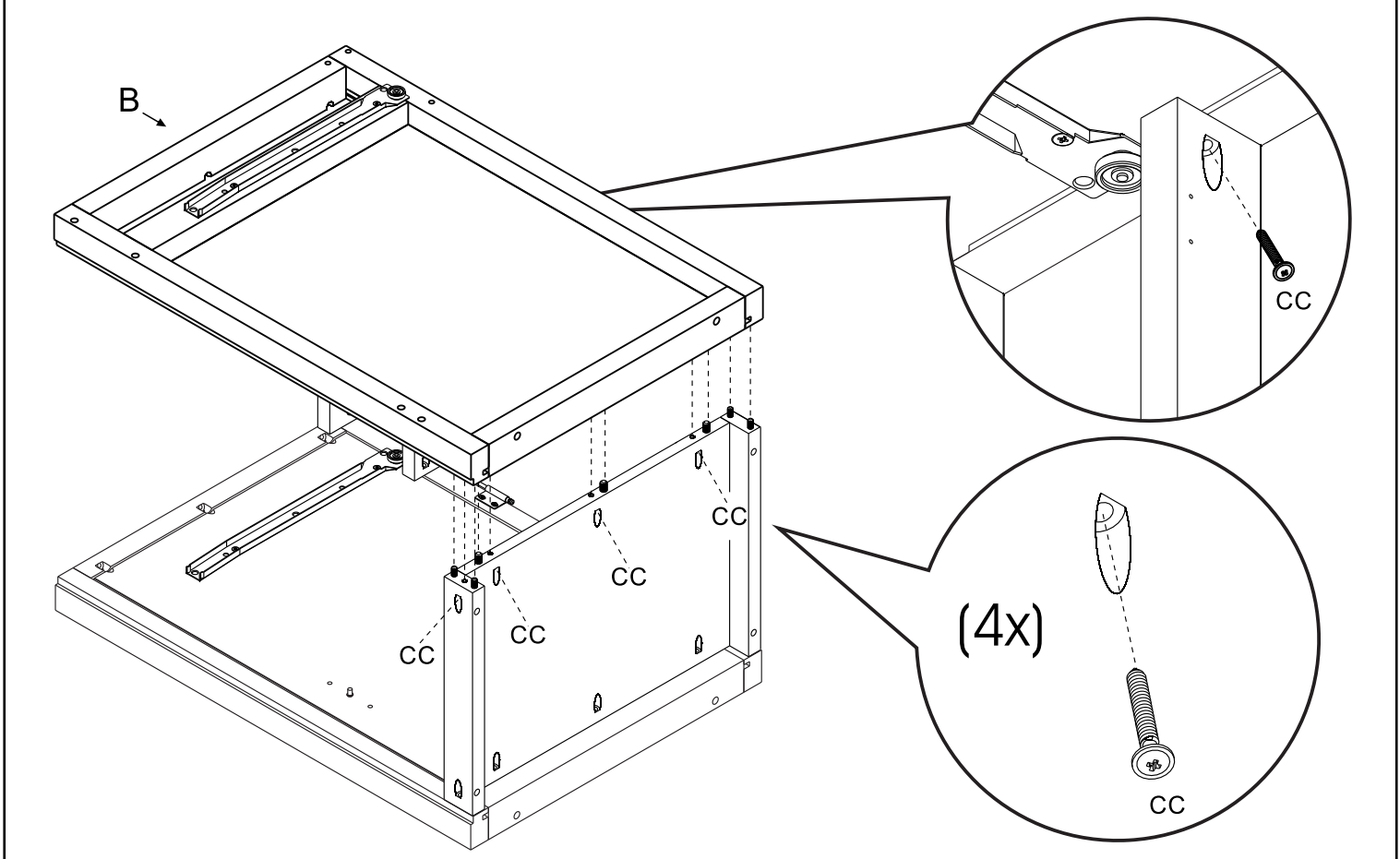
Second



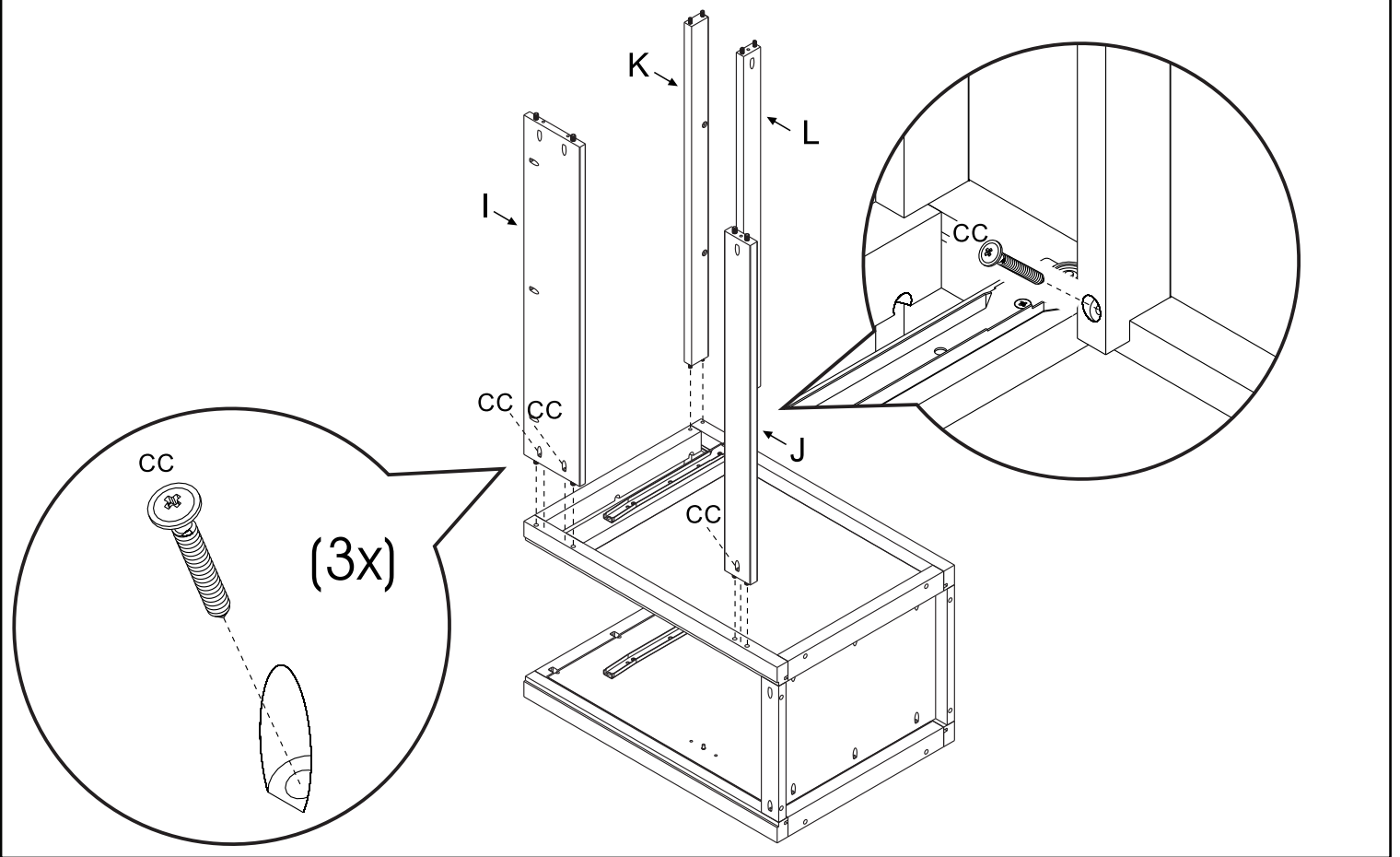
# STEP 6



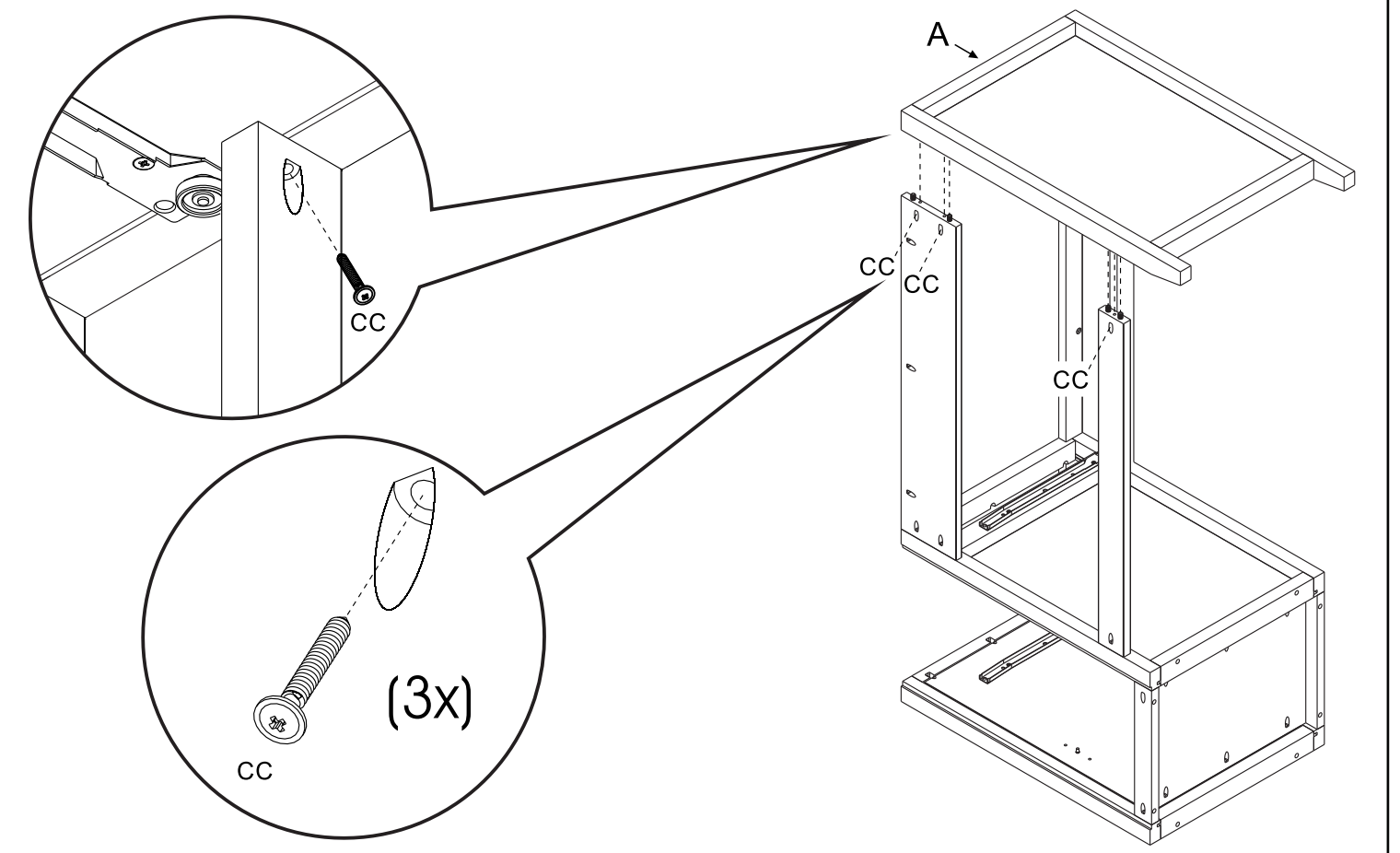
# STEP 7



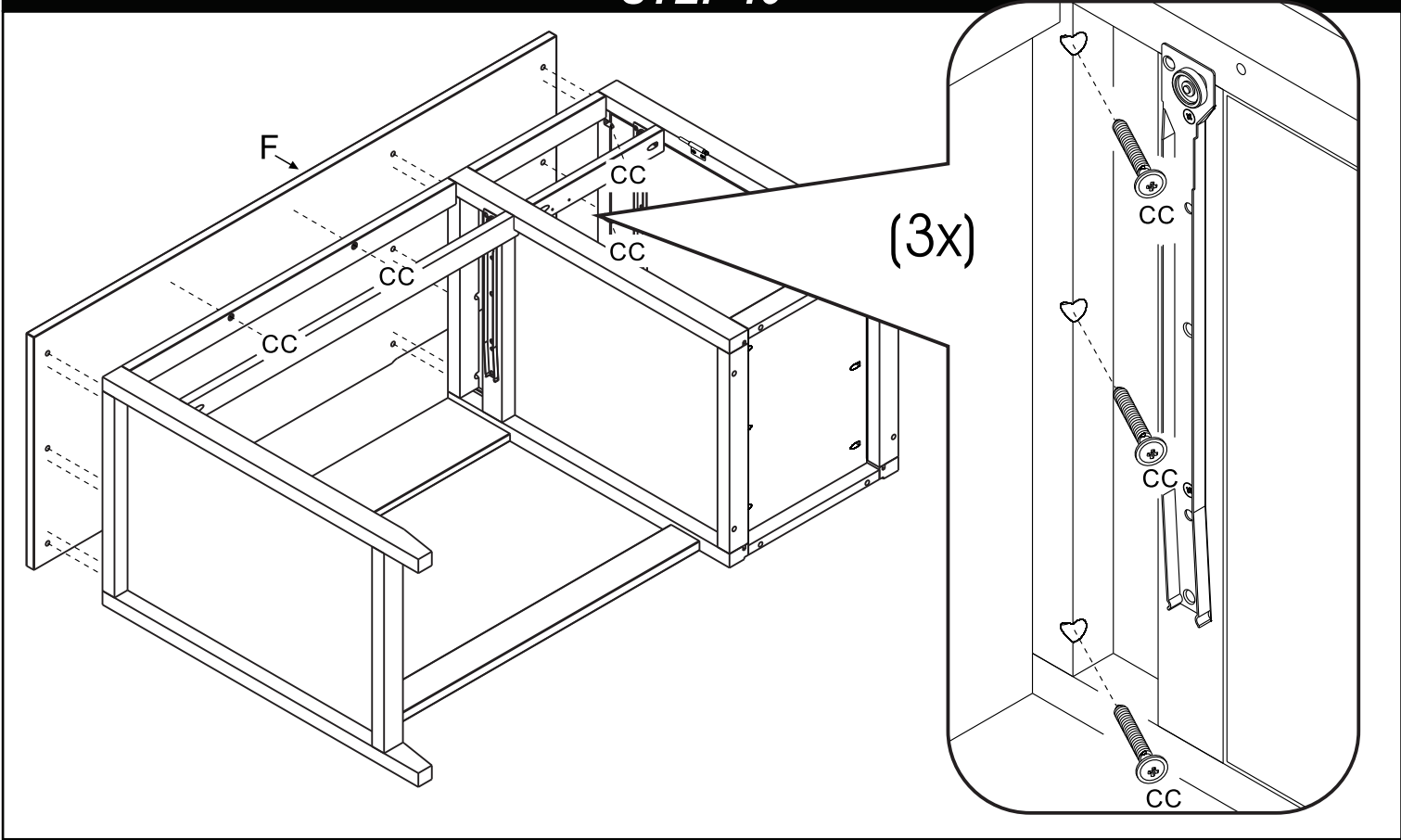
## STEP 8



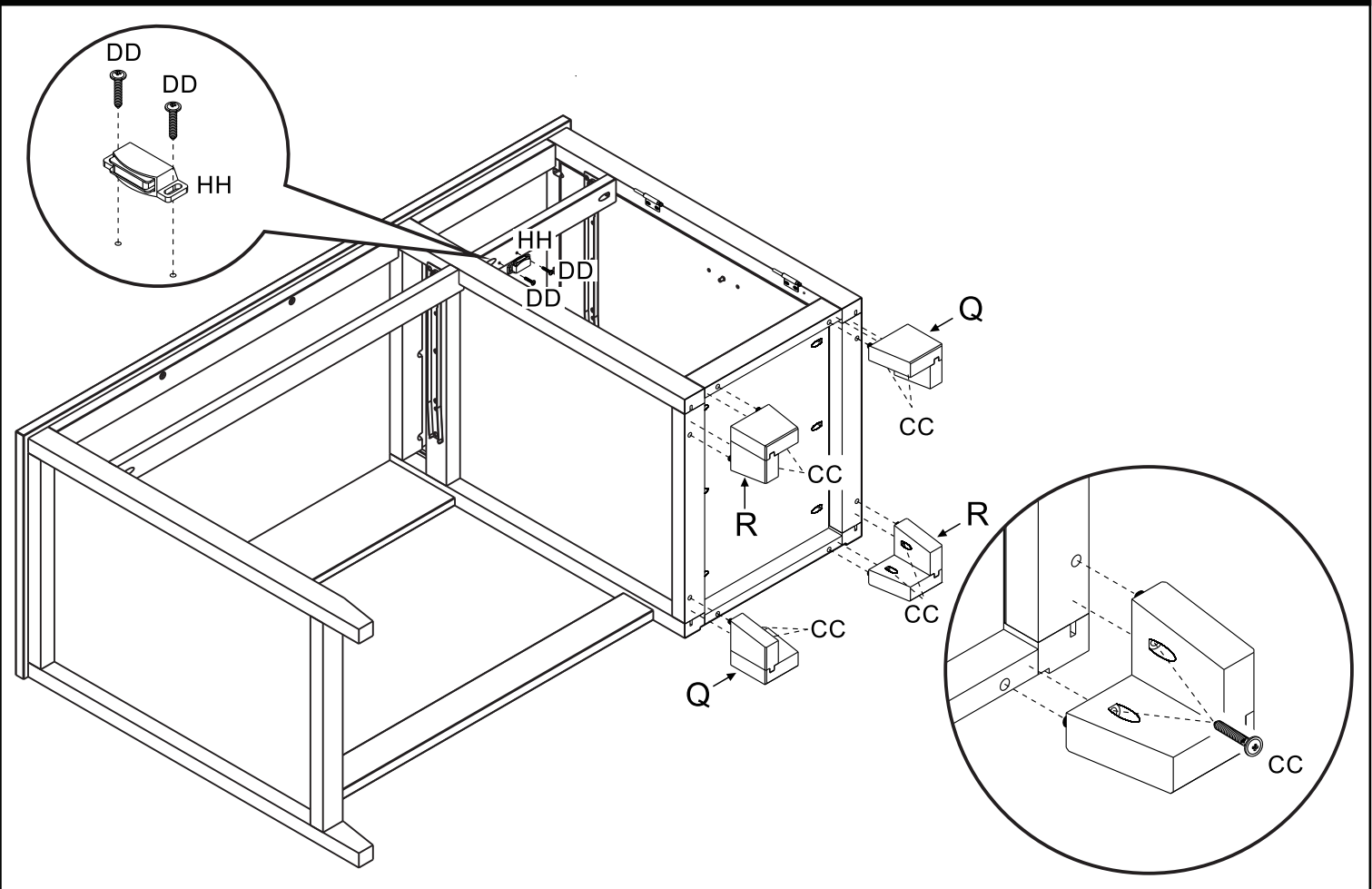
## STEP 9



# STEP 10

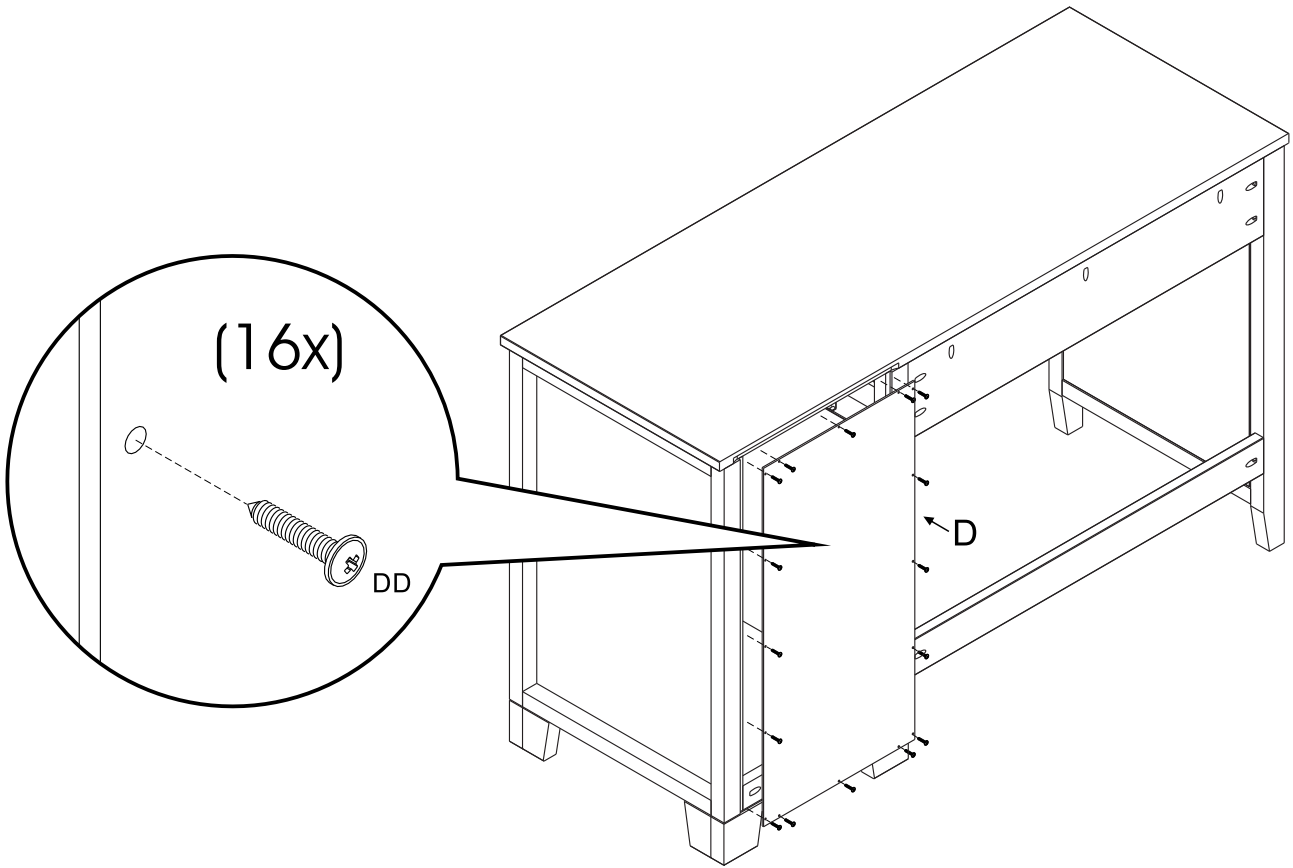


# STEP 11

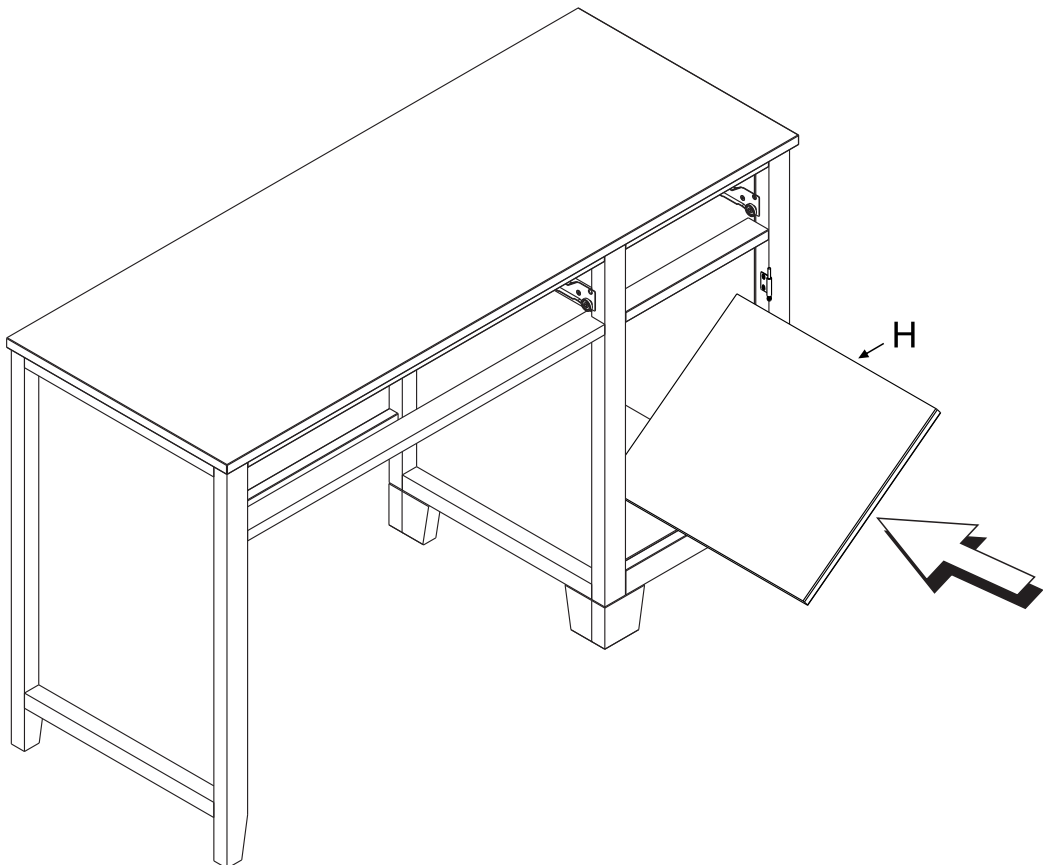




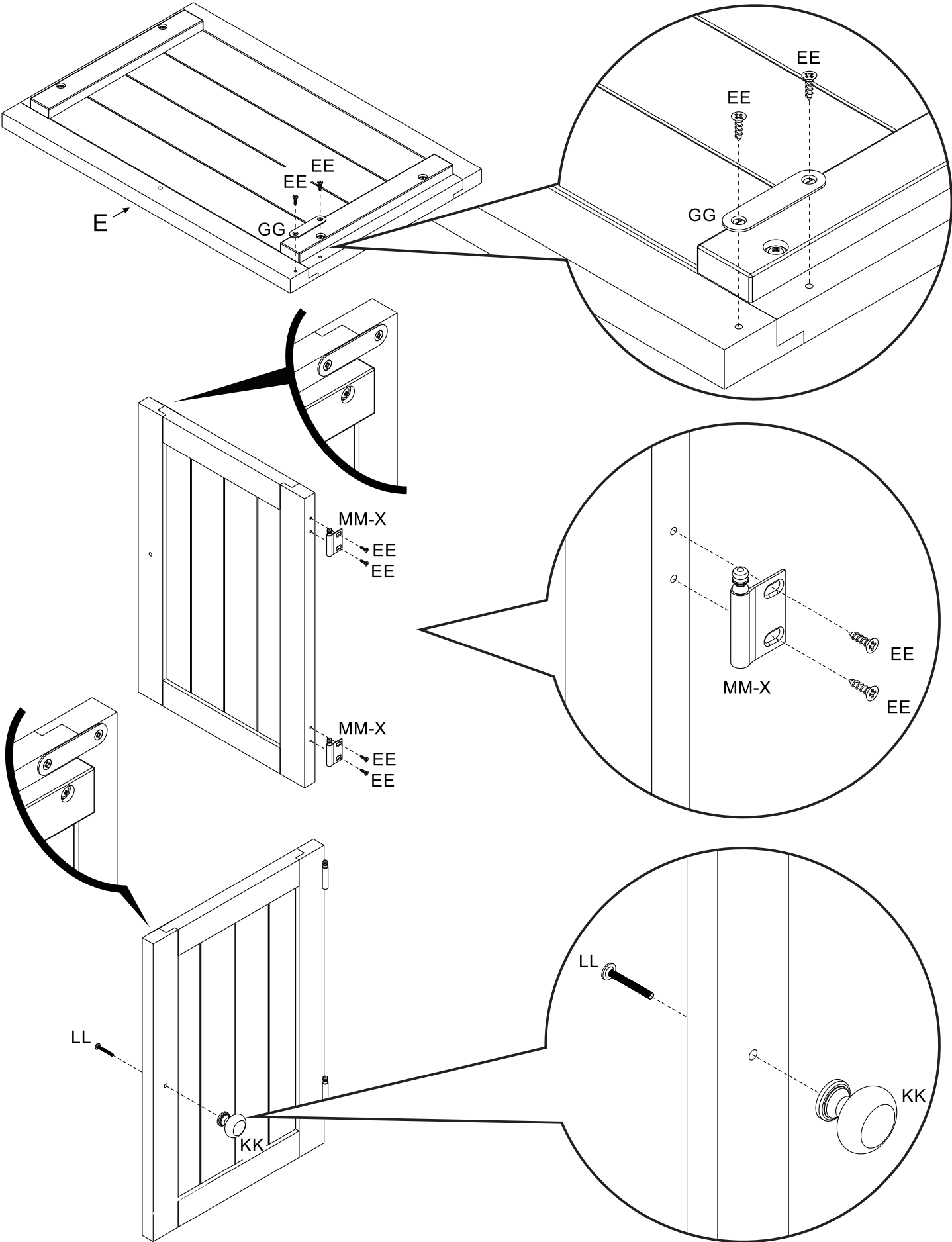
## STEP 12



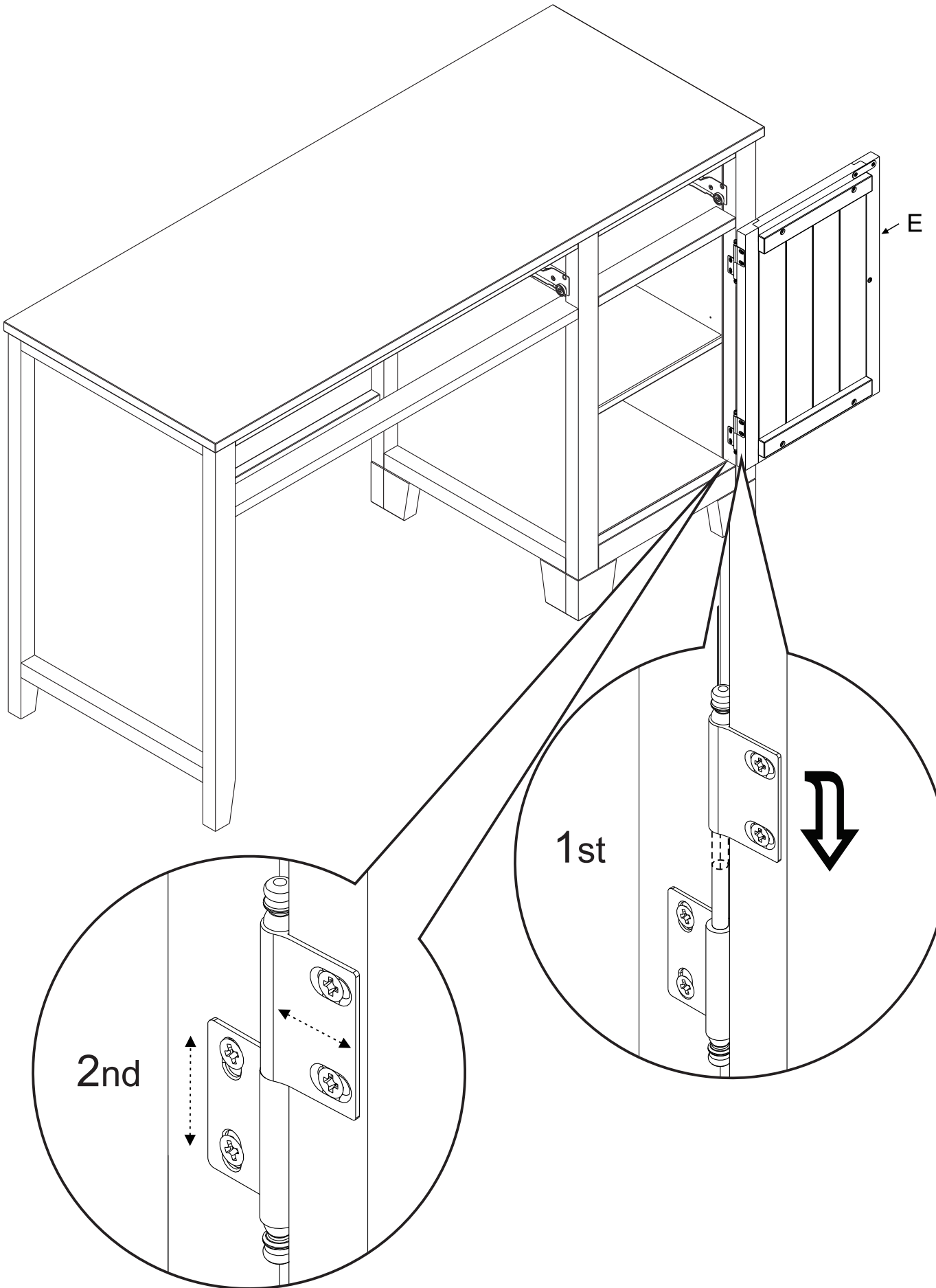
## STEP 13



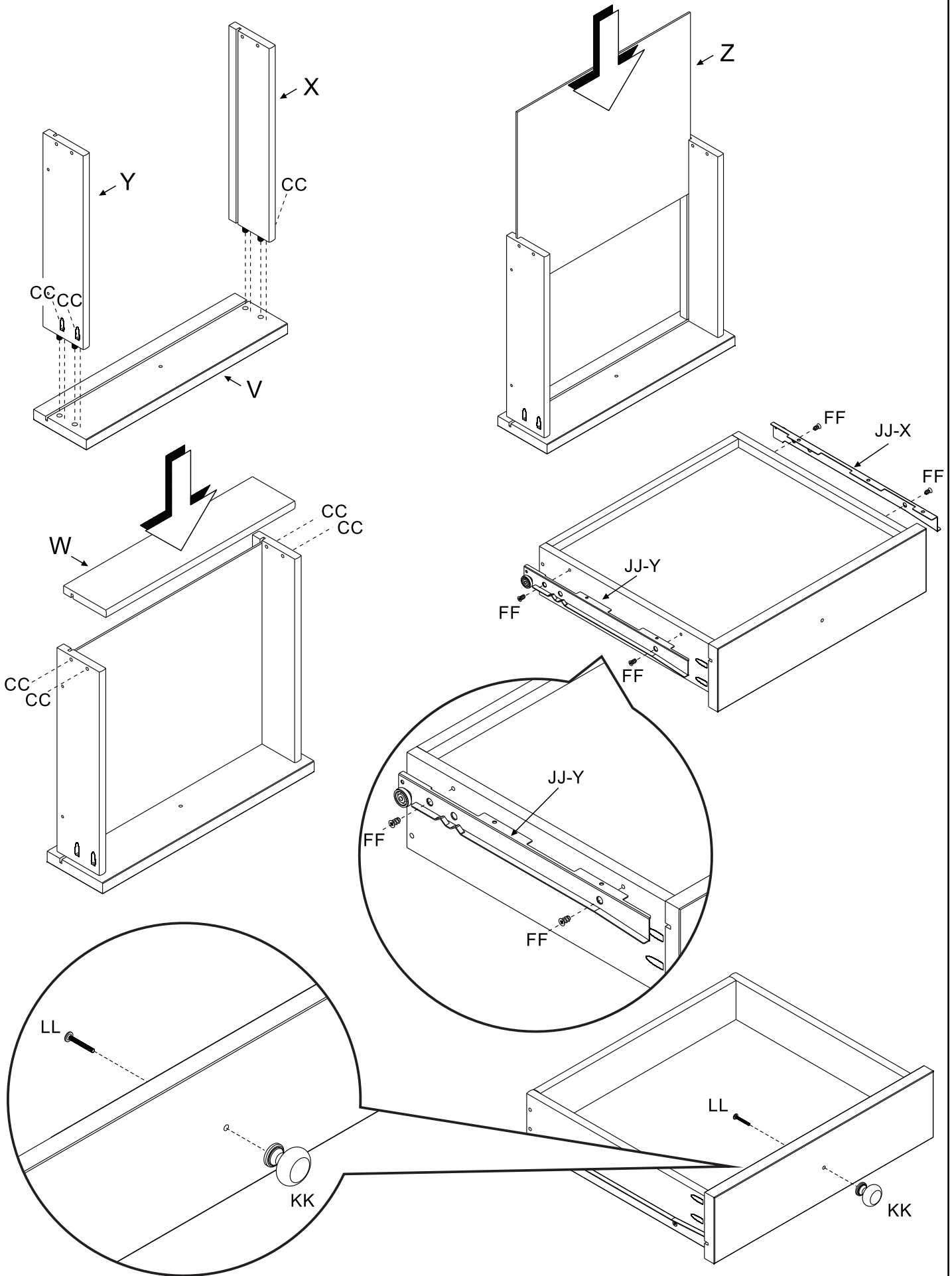
**STEP 14**



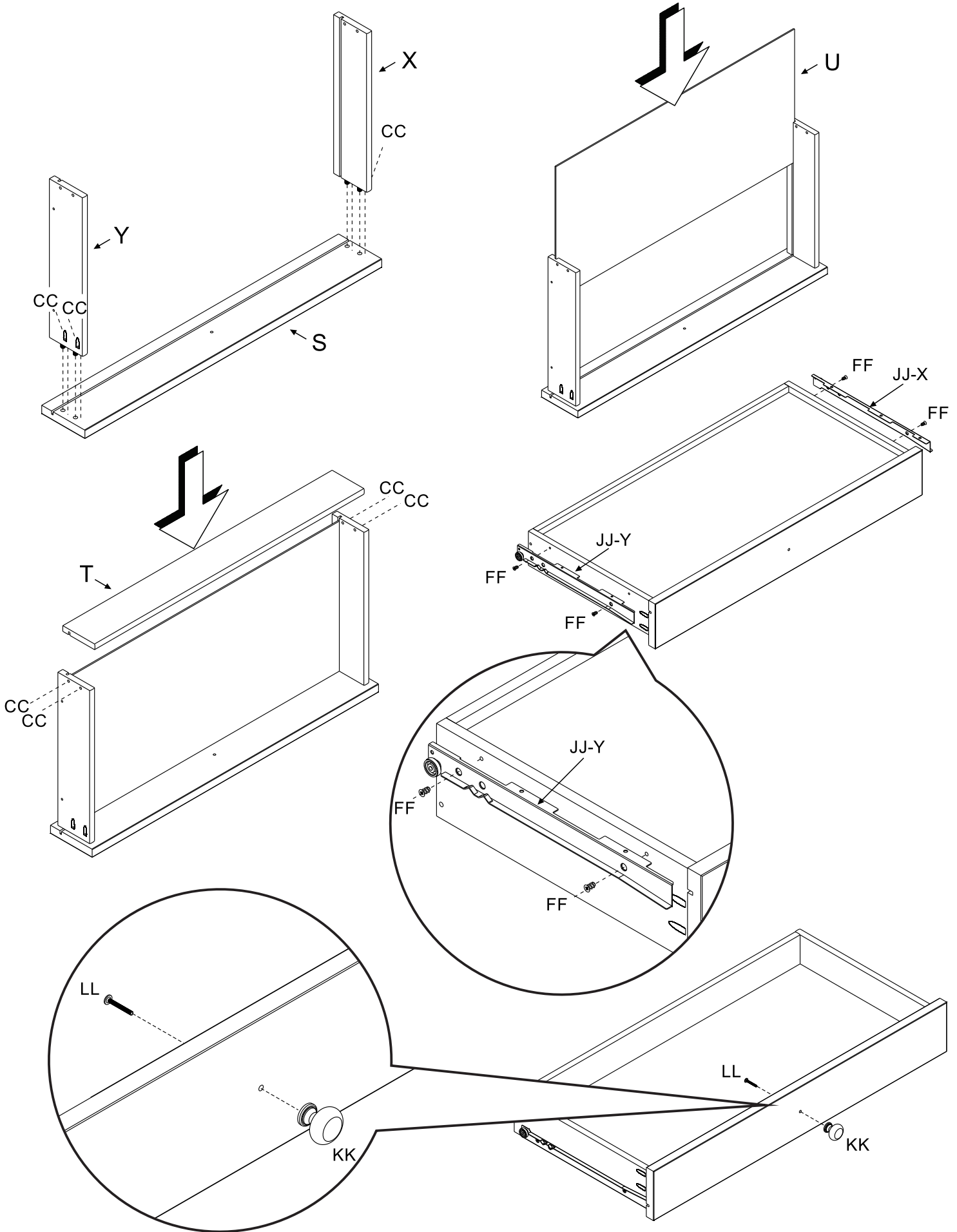
**STEP 15**



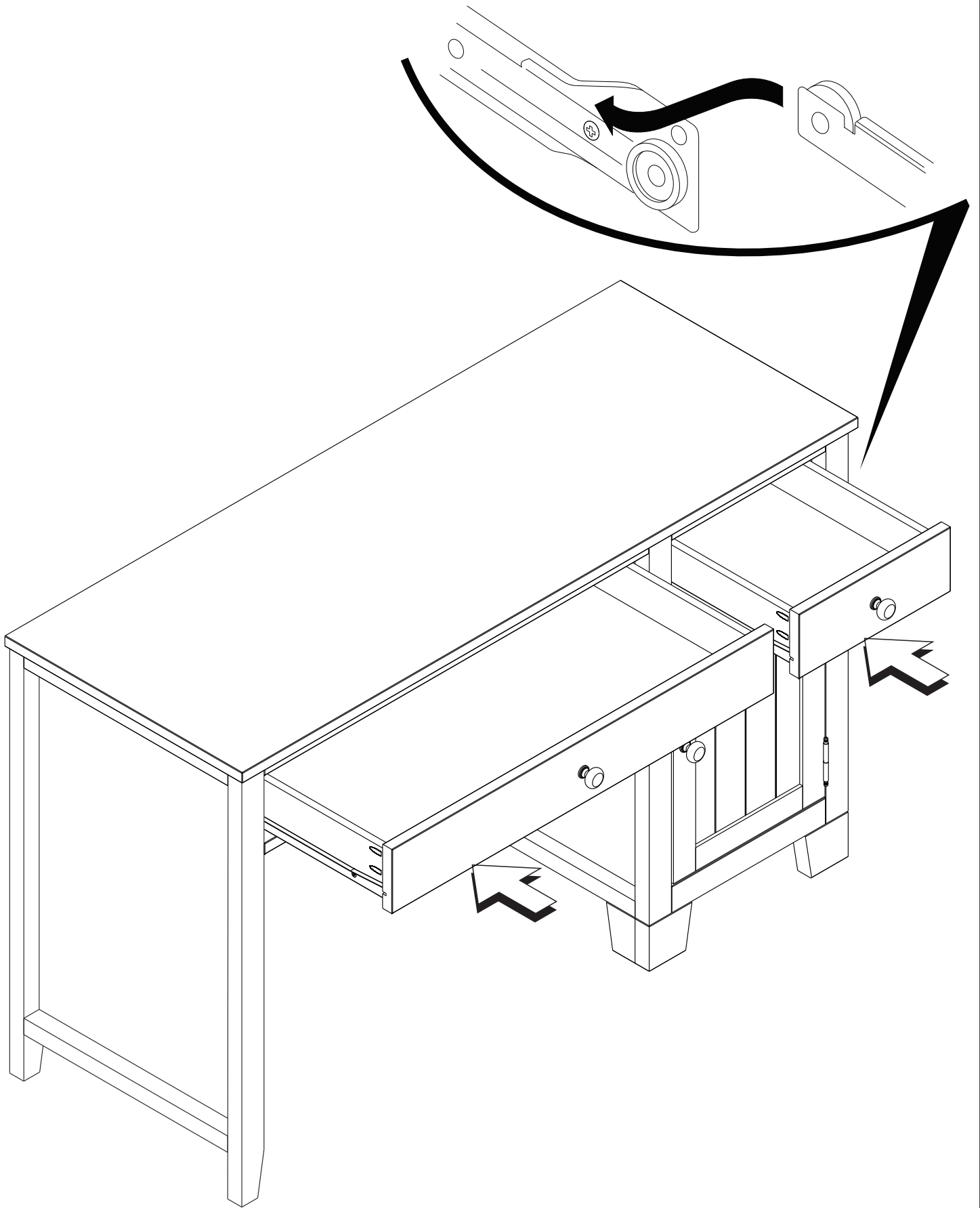
# STEP 16



# STEP 17



**STEP 18**



## ***Maintenance Cleaning and Storage***

### **MAINTENANCE:**

Upon completion of the assembly, check to make sure all screws, bolts and connectors are tightened and secure.

Periodically check furniture for damaged hardware, loose joints, missing parts or sharp edges before and after assembly and frequently during use.

DO NOT use furniture if any parts are missing or broken.

If any parts are missing, broken or you need assistance DO NOT return furniture to your dealer.

Call Child Craft at 330.723.0599 and include model identification numbers recorded on page 1.

DO NOT substitute parts.

### **CLEANING:**

Mix a mild solution of gentle dishwashing soap and water, apply to surface using a clean cloth lightly dampened in the solution. Rinse well with clear water using a soft clean cloth, then dry all surfaces with a soft dry cloth.

**DO NOT use abrasive cleaners or any cleaners with harsh chemicals that would contact a child's skin, scouring pads, steel wool or coarse rags. This furniture should be treated the same as any fine furniture.**

### **STORAGE:**

**When storing furniture use caution as extreme temperature or humidity changes could be harmful. Use caution when a vaporizer is in use. Always aim vapor stream away from furniture as well as away from any wood furniture item.**

**After completing the assembly the user is advised to read and be aware of**

**ALL WARNINGS, CAUTIONS, CLEANING, STORAGE USE AND MAINTENANCE. Please store the complete set of assembly directions for future referral.**