

Rockport Night Stand

Model Covered: F01428

KEEP INSTRUCTIONS FOR FUTURE USE.

FOR CUSTOMER SERVICE CALL 1-330-723-0599. DO NOT CALL RETAILER OR RESELLER FOR SERVICE AS THEY ARE NOT AUTHORIZED TO RESOLVE ANY SERVICE ISSUES.

FOR WARRANTY AND FEDERAL SAFETY STANDARD COMPLIANCE CERTIFICATES, PLEASE VISIT OUR WEBSITE AT www.childcraftbaby.com

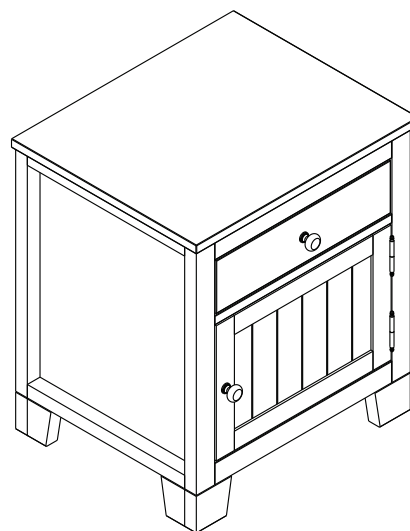
ASSEMBLY ASSISTANCE

IMPORTANT: Retain for future reference and read carefully.

Child Craft strives for the highest quality in our products but occasionally a missing part or problem can occur during assembly. If any parts are missing, broken, or you need assistance with assembly, DO NOT return the product to your dealer. Go to our website at www.childcraftbaby.com or call Child Craft for assistance at 1-330-723-0599 (Monday through Friday, 9:00 a.m.-4:00 p.m. Eastern Time). Please have the model number and manufacture date available when you call or write us at:
 Child Craft, 5216 Portside Dr., Medina, OH. 44256

ASSEMBLY INSTRUCTIONS

- Adult assembly required.
- Read all instructions BEFORE assembly and USE of product.
- Unpack carton, remove packing materials, including polybag. Identify and check all parts.



Assembled Night Stand

Record the information for your product here:

Model number: _____

Manufacture date: _____

PO number: _____

PARTS LIST

Part Description	Part Number	Quantity
A. End Panel - Left	92105917	1
B. End Panel - Right	92105918	1
C. Back Panel	92103393	1
D. Foot - Right	92103343	2
E. Foot - Left	92103344	2
F. Top Panel	92103394	1
G. Lower Panel	92103395	1
H. Door	92103396	1
I. Top Front Rail	92103397	1
J. Front Rail	92105919	1
K. Bottom Front Rail	92103399	1
L. Back Rail	92103400	1
M. Drawer Front	92103401	1
N. Drawer Right Side	92103402	1
O. Drawer Left Side	92103403	1
P. Drawer Back	92103404	1
Q. Drawer Bottom	92103405	1
R. Dowel Ø8	92105920	22
S. Dowel Ø6	92105920	16
T. Flat Head Screw	92105920	32
U. Flat Head Screw	92105920	18
V. Flat Head Screw	92105920	10
W. Glide Screw	92103360	8
X. Minifix Screw	92105920	3
Y. Minifix Round Nut	92105920	3
Z. Metal Plate	92103407	1
AA. Door Latch	92103408	1
BB. Glides	92103360	1
CC. Knob	92103358	2
DD. Knob Screw	92103358	2
EE. Door Hinge	92103409	2

PREPARATION

Carefully remove and lay out all hardware and parts. Check quantities and match the parts list.

Construct case on an even flat floor.

Note: during the assembly process whenever using screws or bolts, check each with the parts list by letter and size identification.

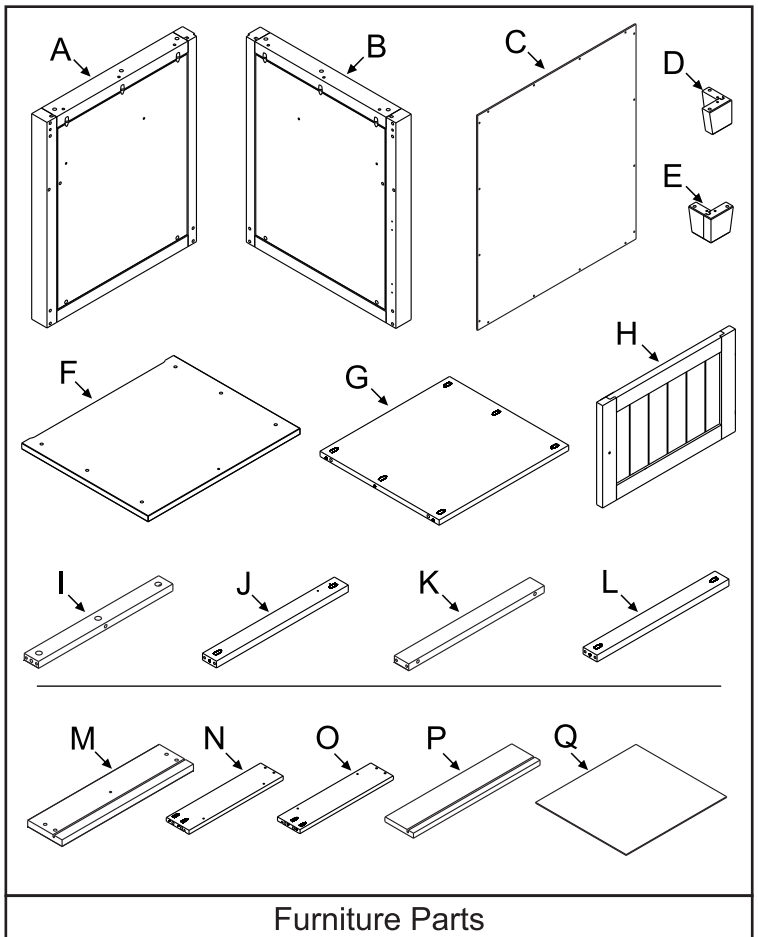
Be sure to use the proper size specified in the assembly directions. If any parts are missing or broken or you need assistance with assembly.

DO NOT return your product to the dealer. Please identify the furniture by the model number identification stamped on the assembly when you call or write to Child Craft. Make note of all identification numbers and include this information with your request.

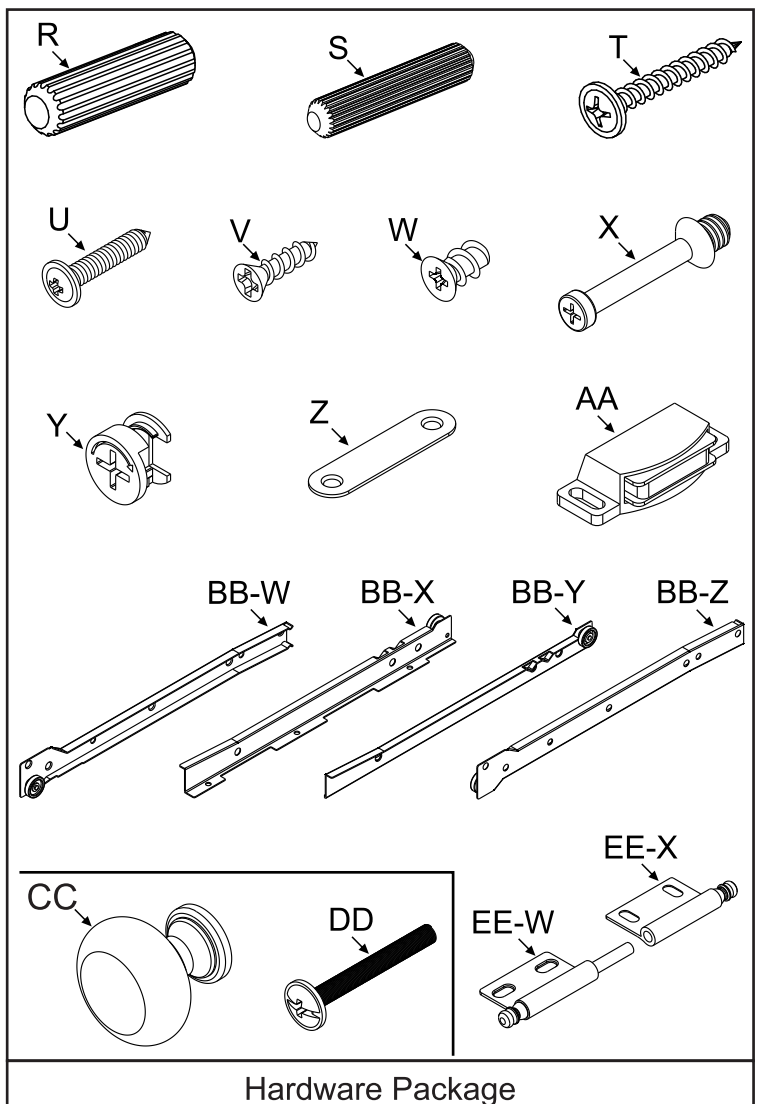
DO NOT Substitute Parts!

SUGGESTED TOOLS

#2 Medium Straight Screwdriver

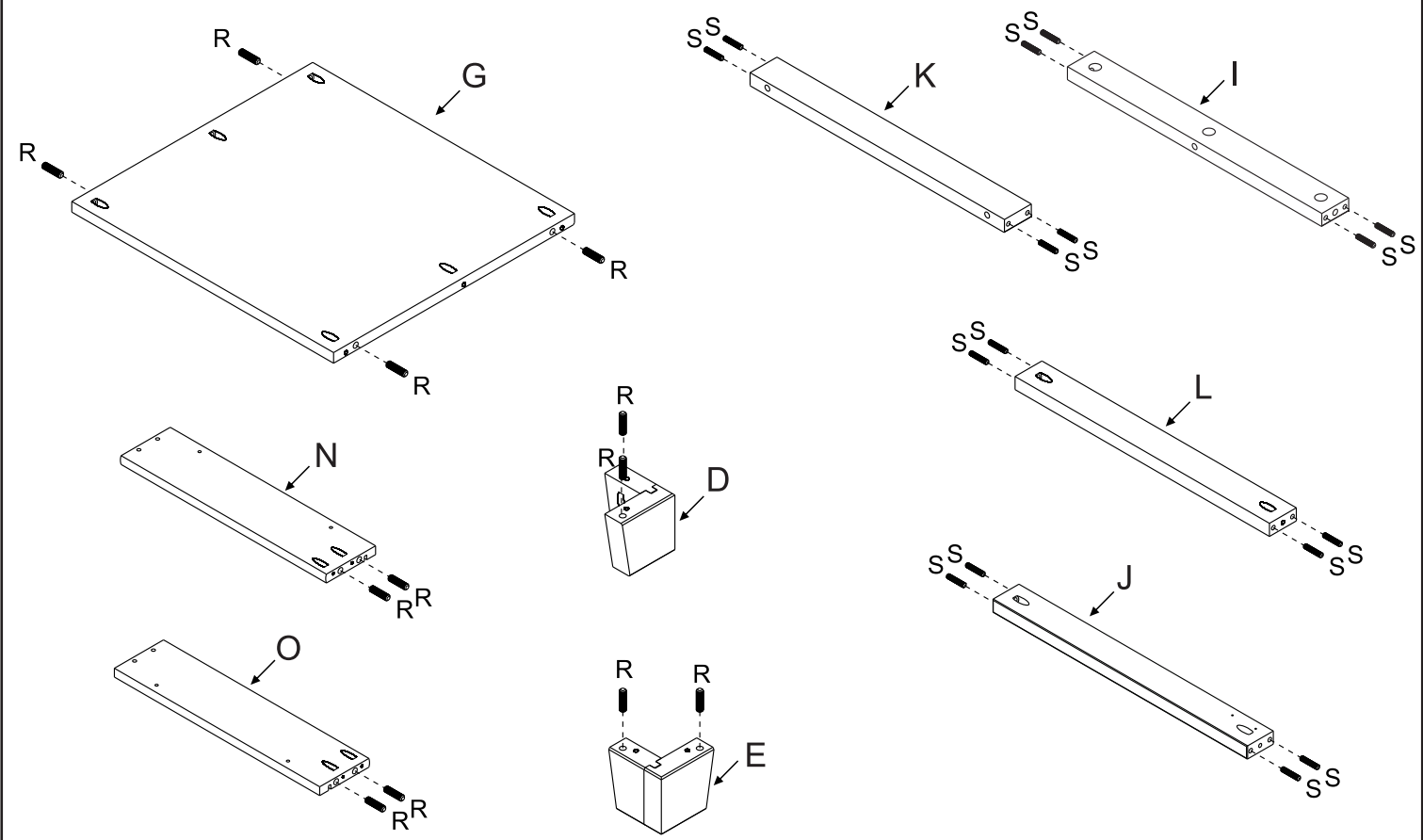


Furniture Parts

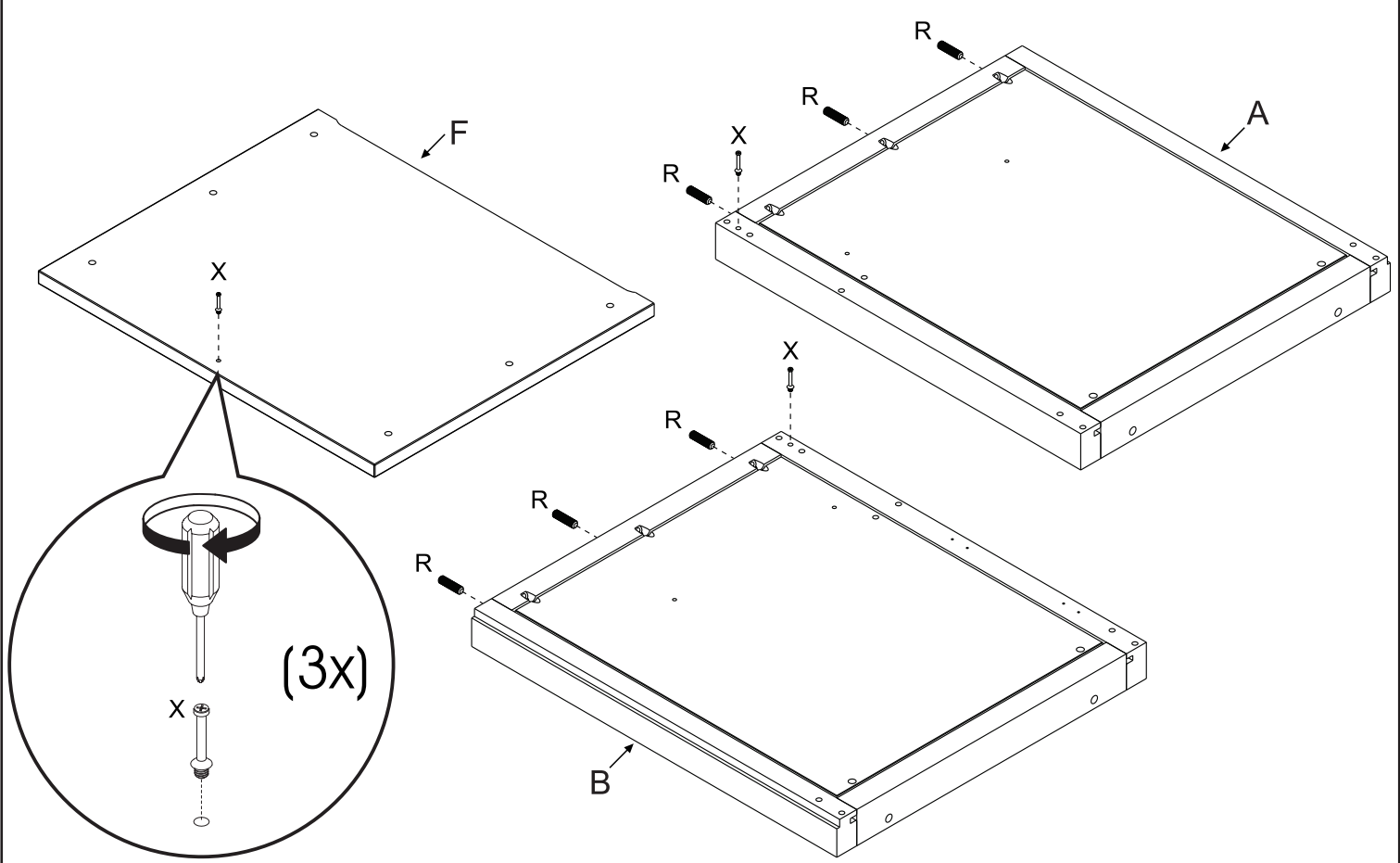


Hardware Package

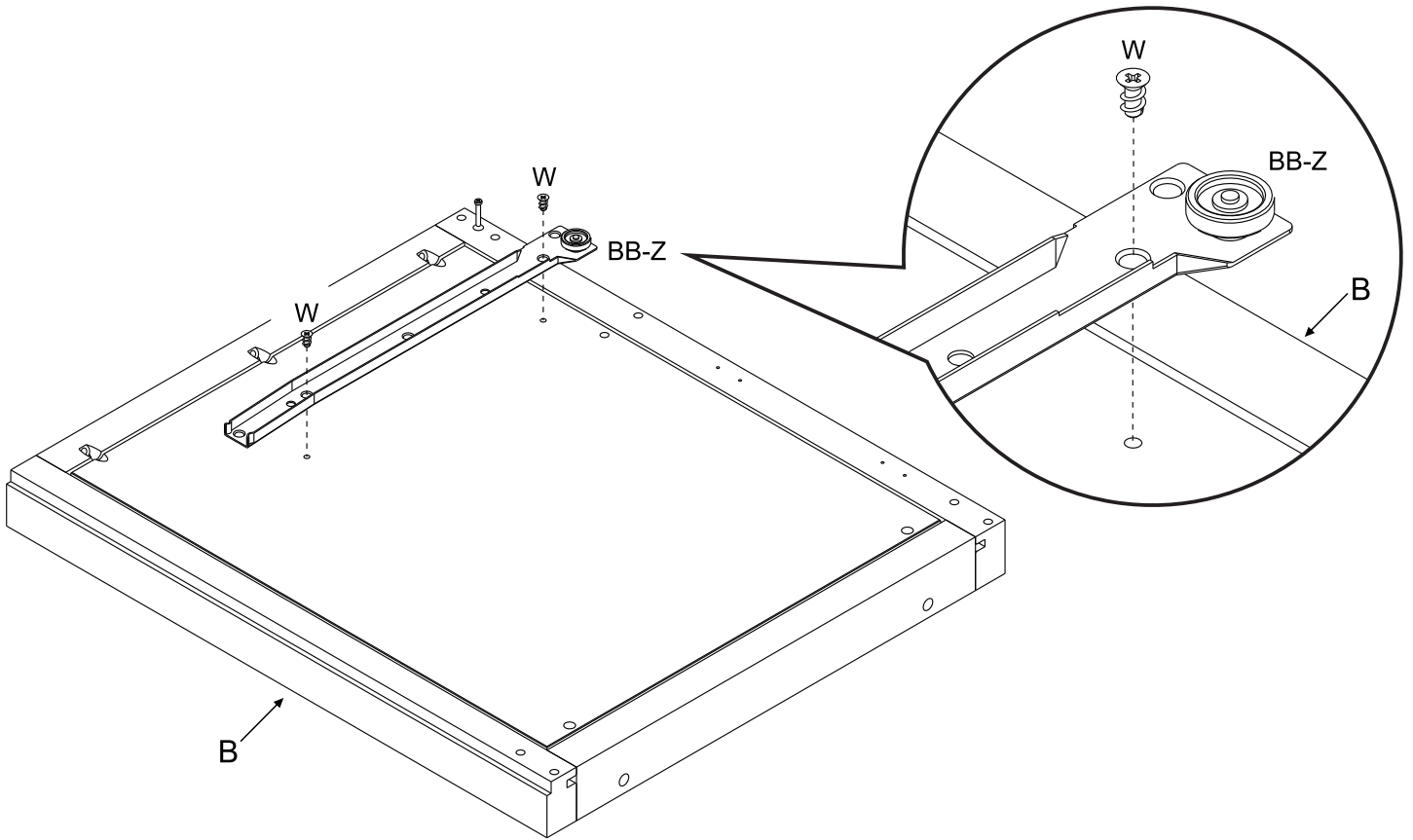
STEP 1



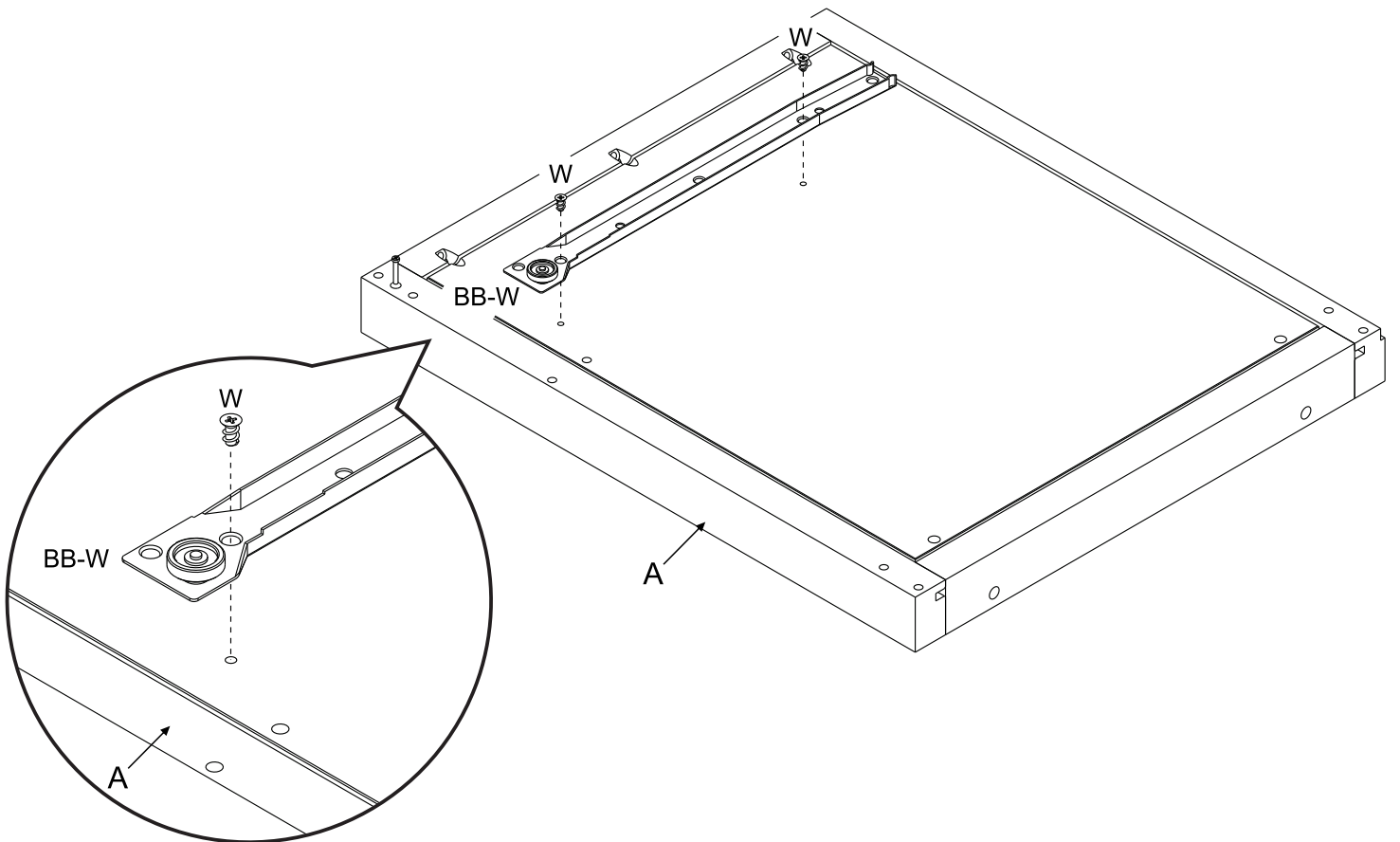
STEP 2



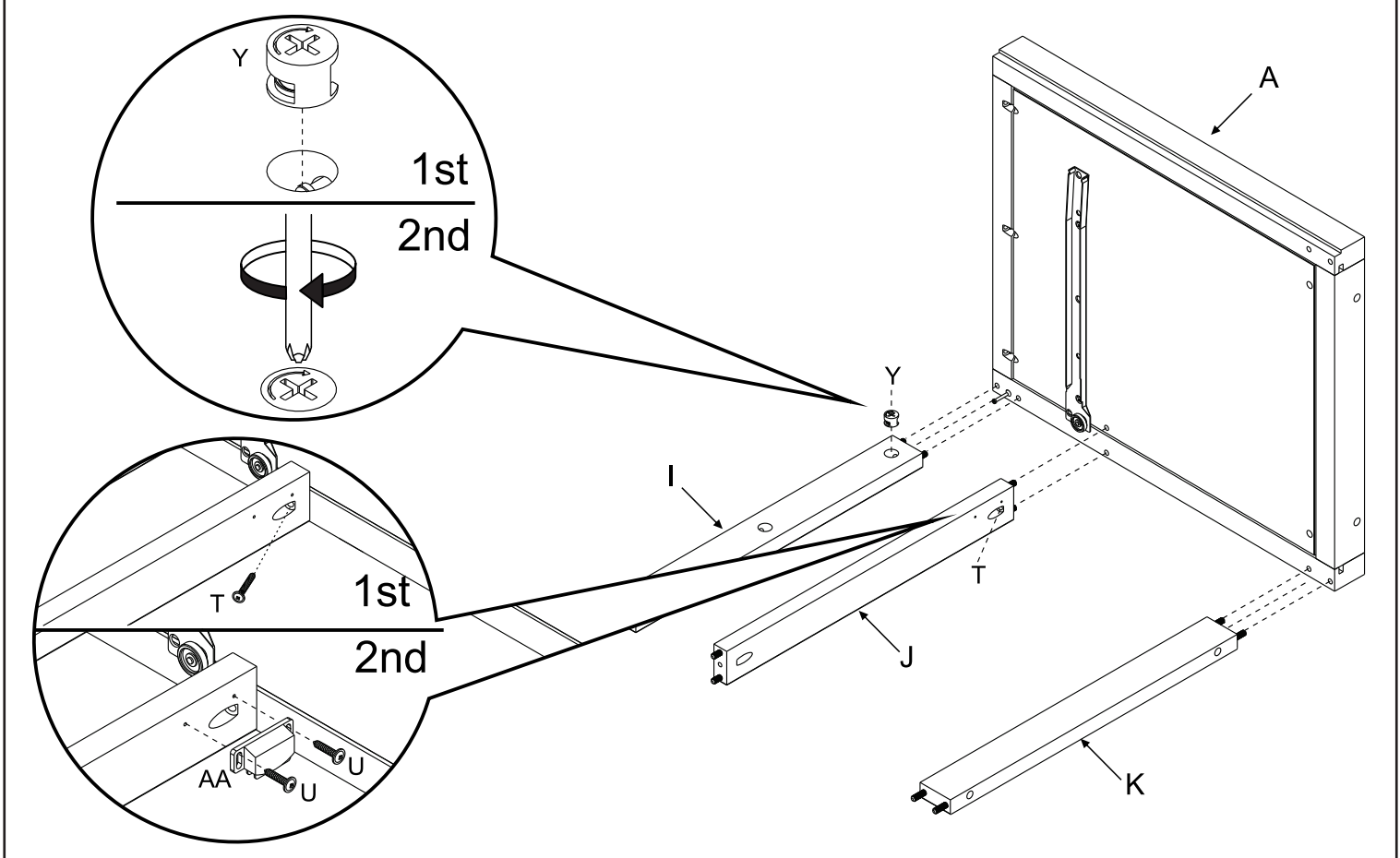
STEP 3



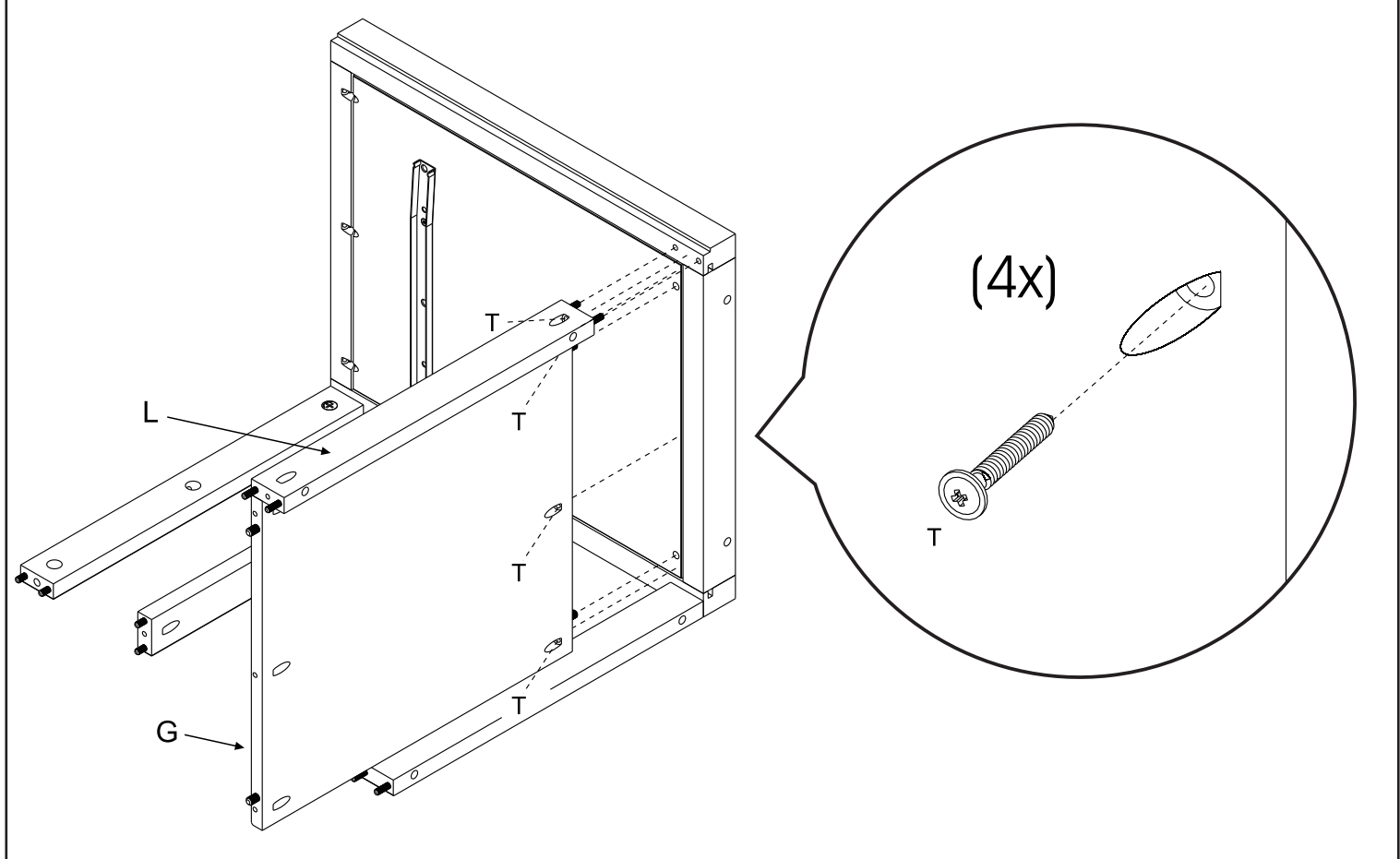
STEP 4



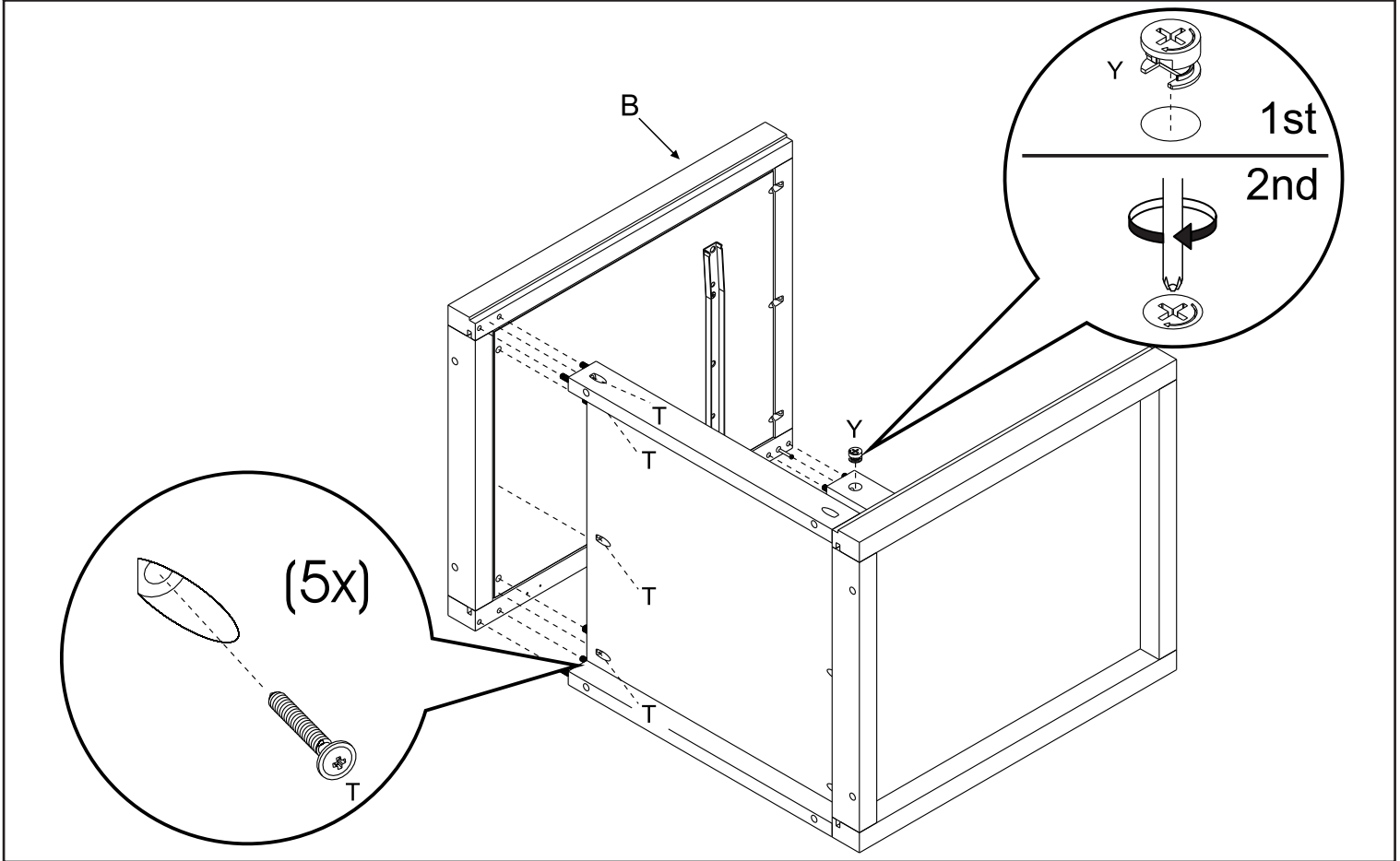
STEP 5



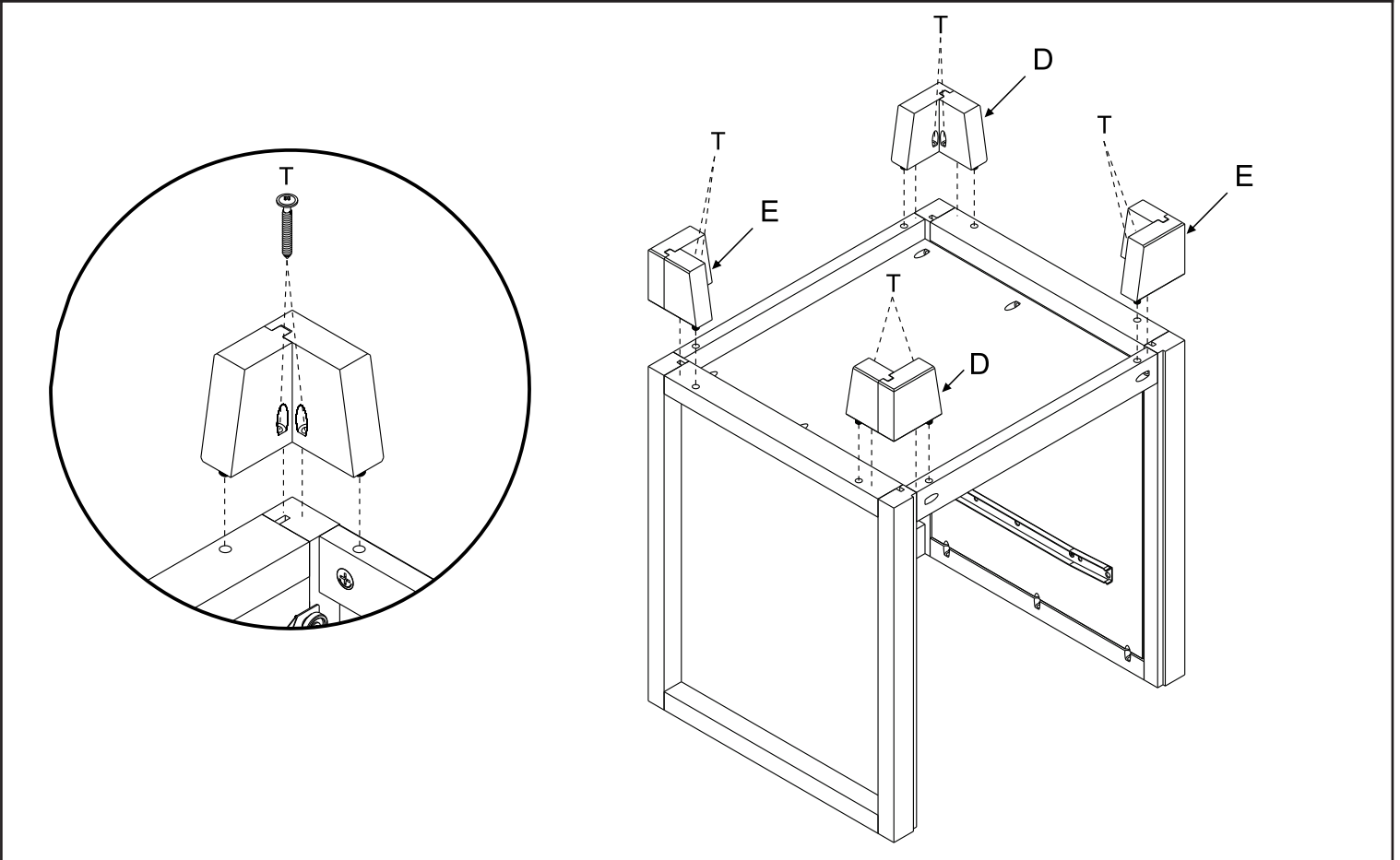
STEP 6



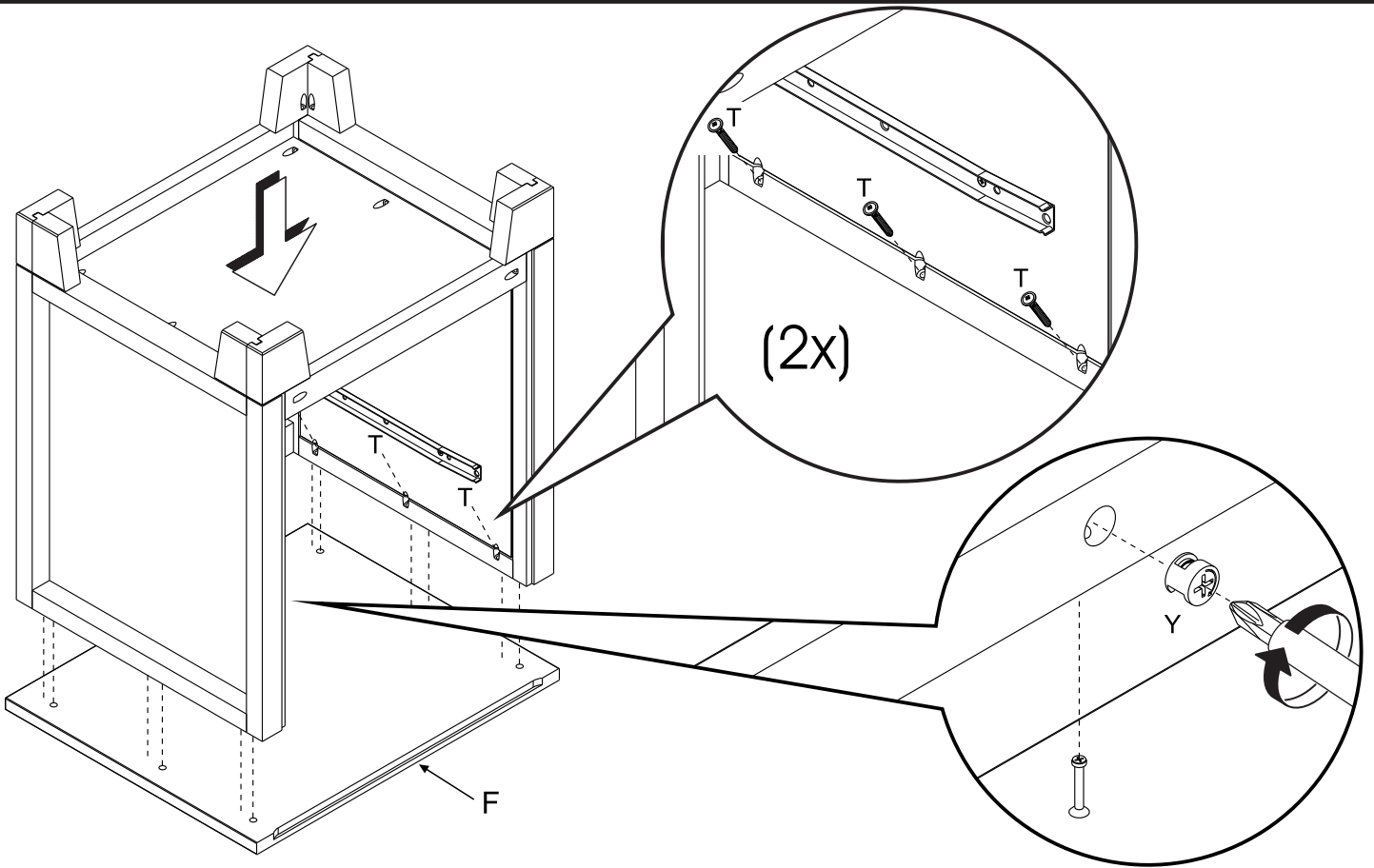
STEP 7



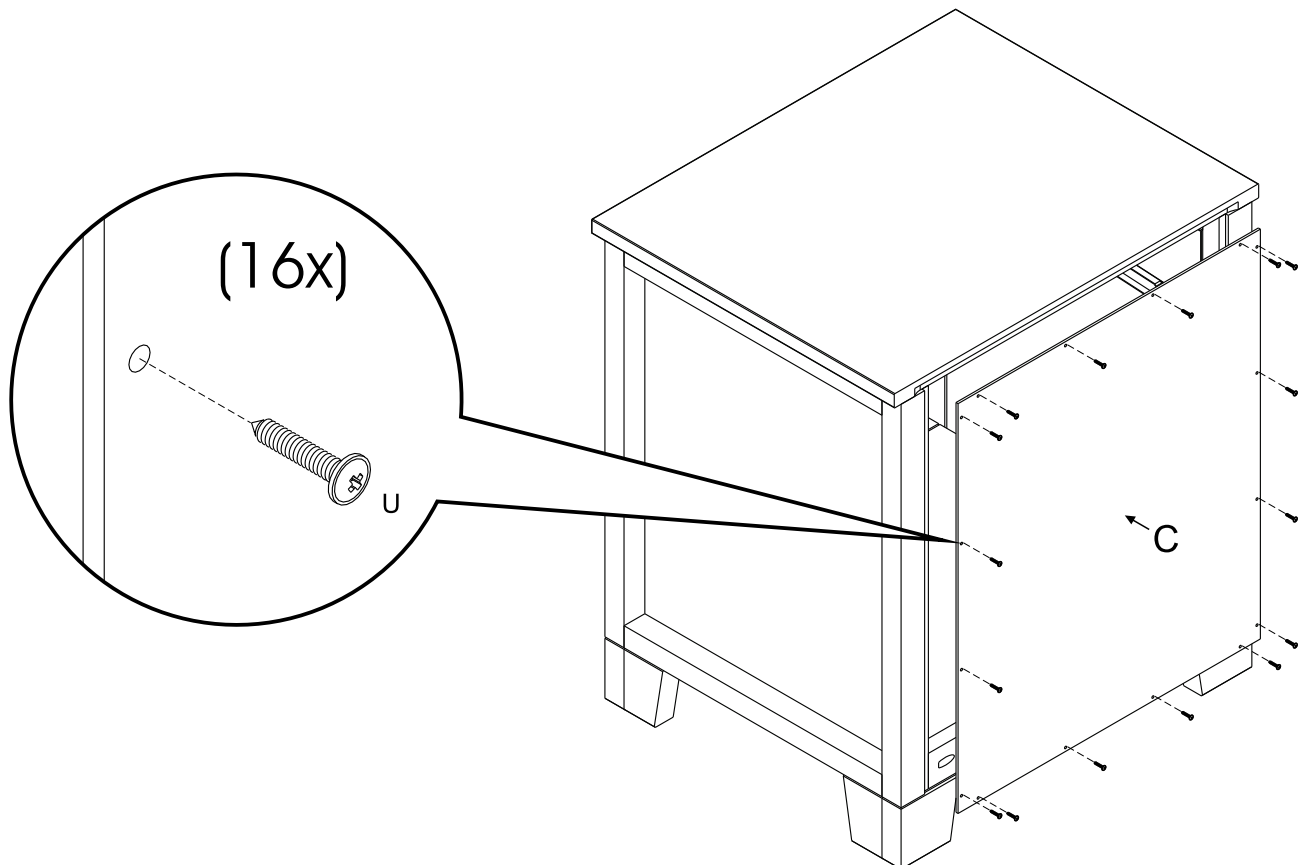
STEP 8



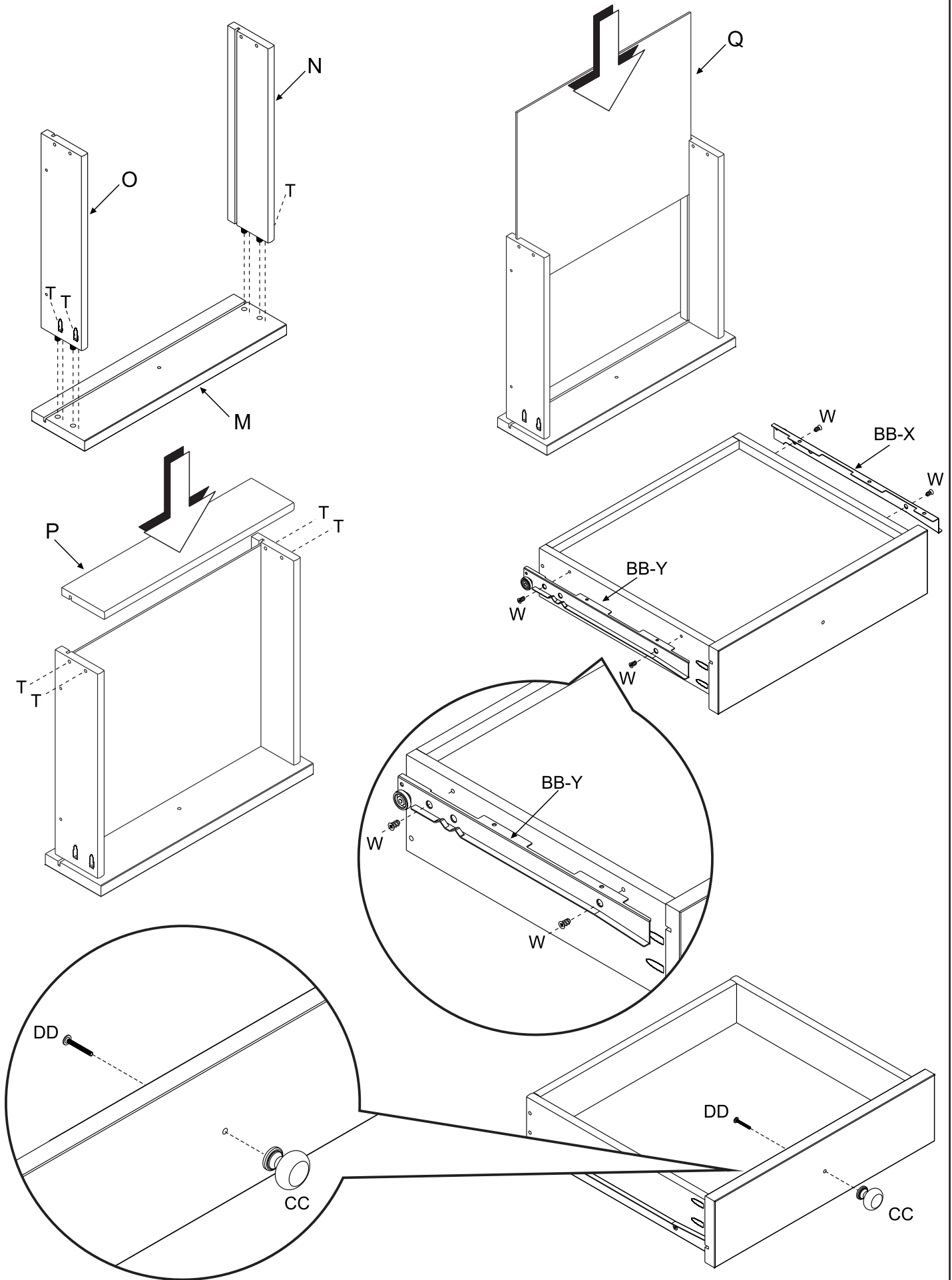
STEP 9



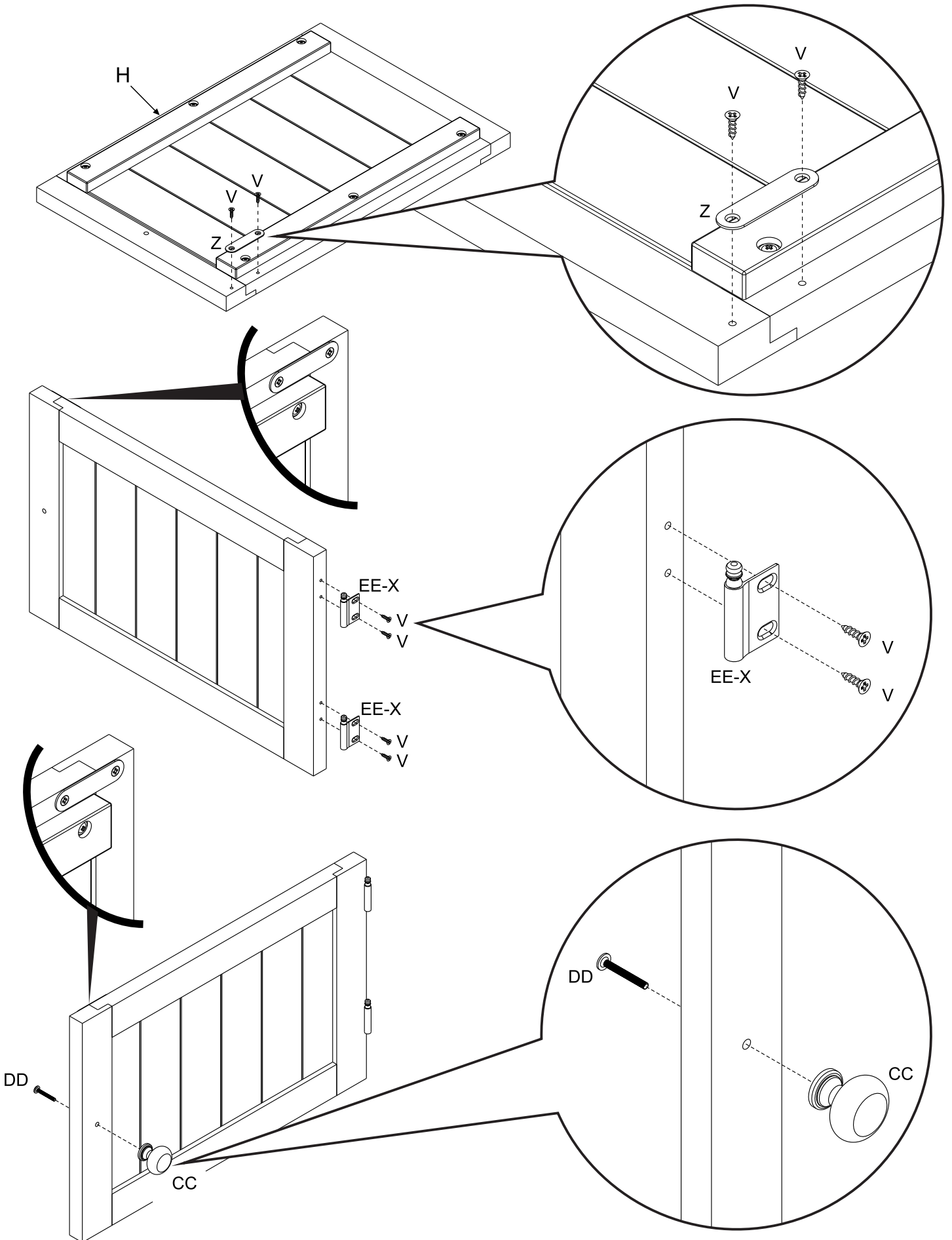
STEP 10



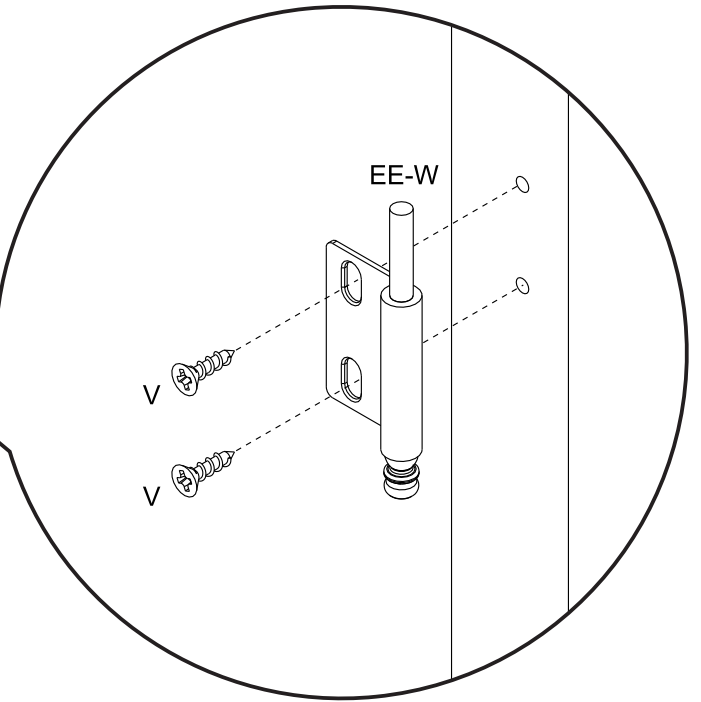
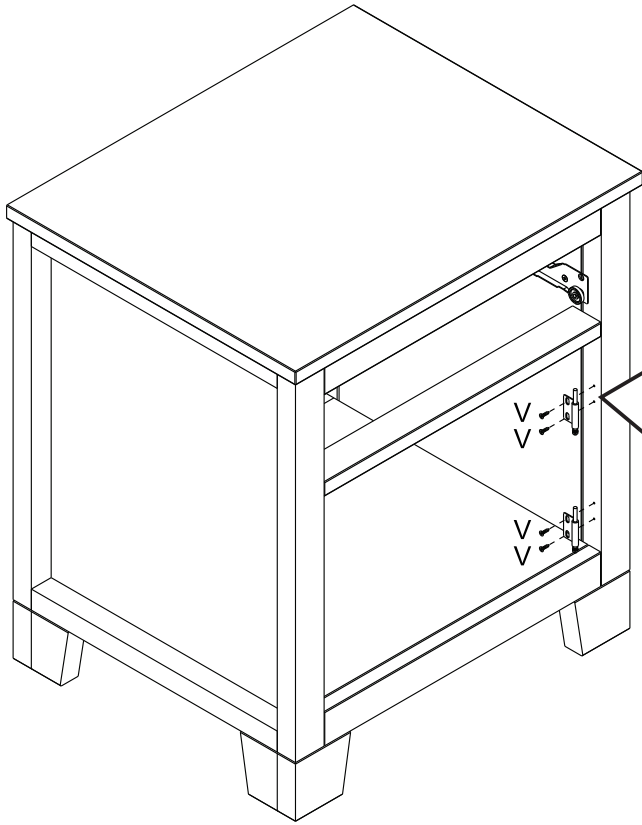
STEP 11



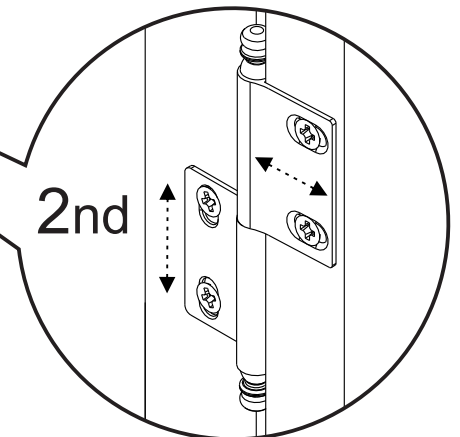
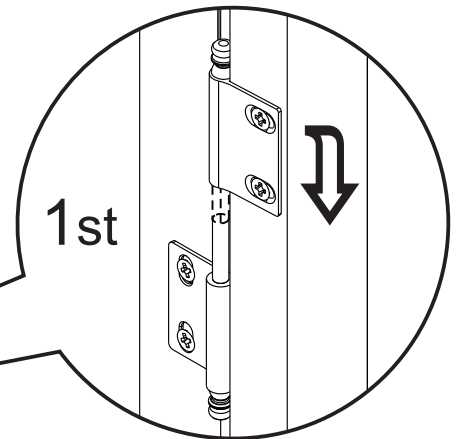
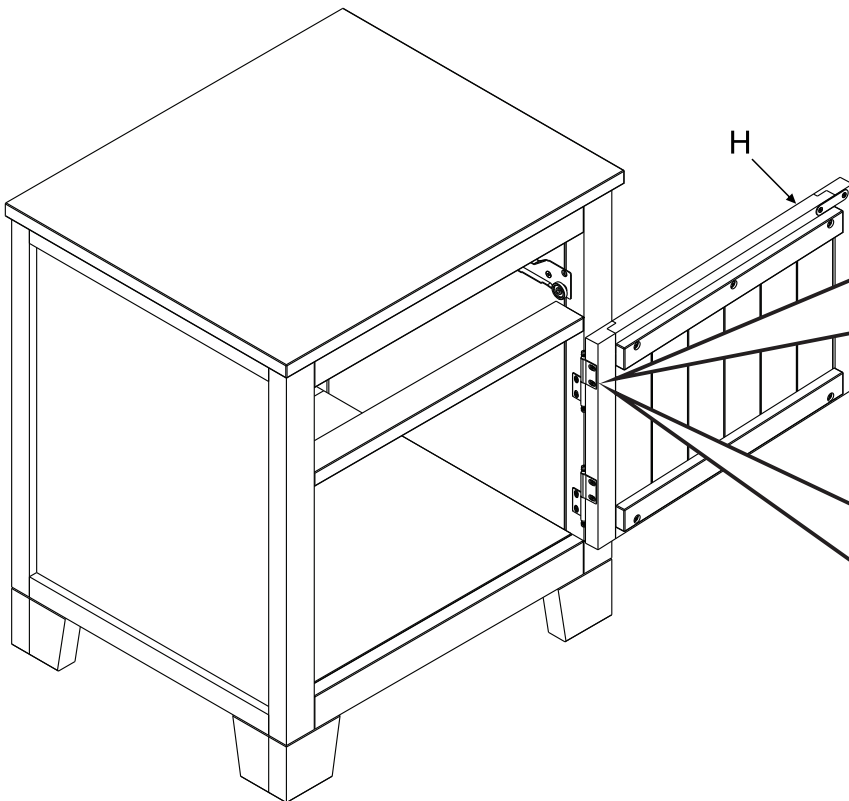
STEP 12



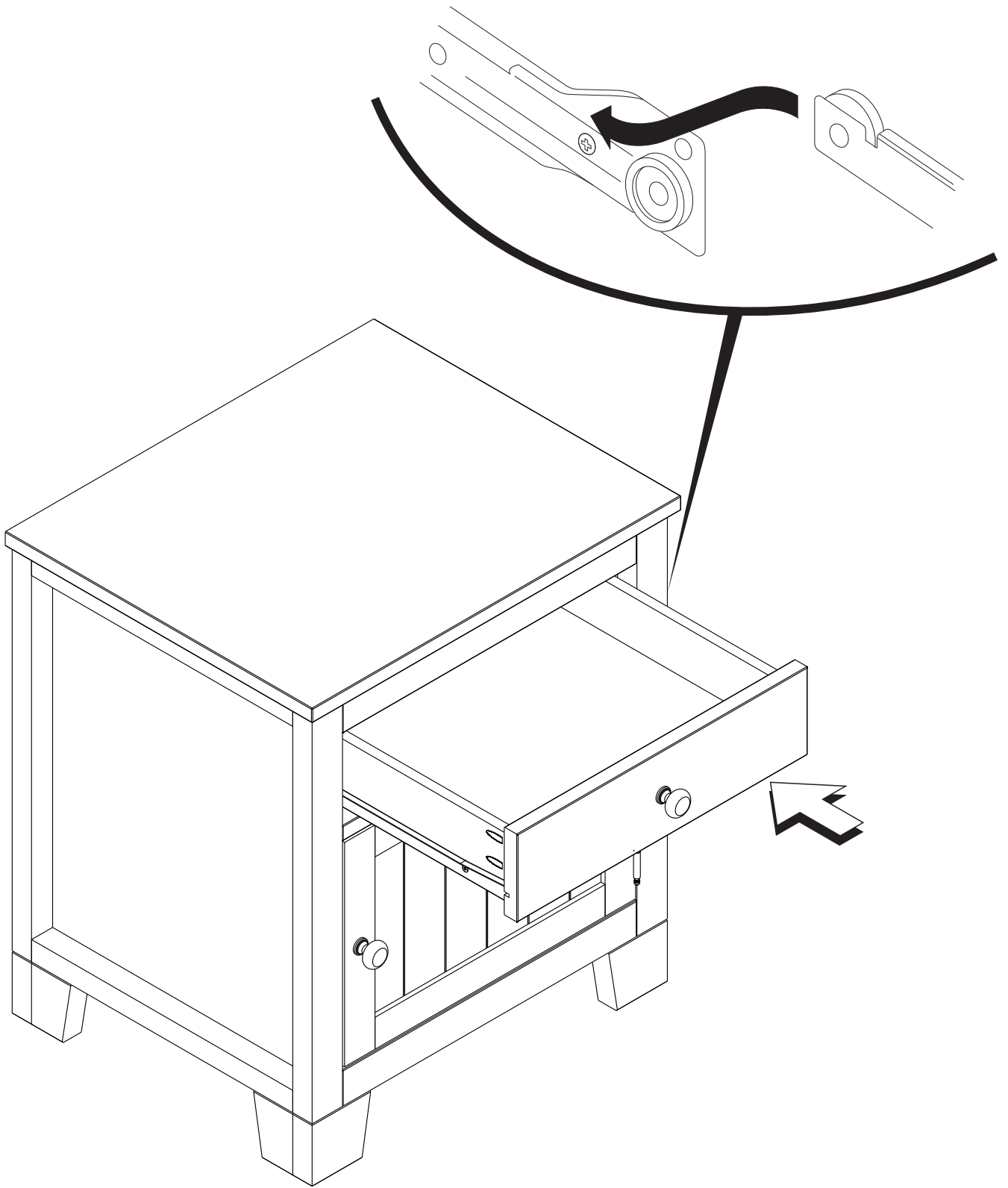
STEP 13



STEP 14



STEP 15



Maintenance Cleaning and Storage

MAINTENANCE:

Upon completion of the assembly, check to make sure all screws, bolts and connectors are tightened and secure.

Periodically check furniture for damaged hardware, loose joints, missing parts or sharp edges before and after assembly and frequently during use.

DO NOT use furniture if any parts are missing or broken.

If any parts are missing, broken or you need assistance **DO NOT** return furniture to your dealer.

Call Child Craft at 330.723.0599 and include model identification numbers recorded on page 1.

DO NOT substitute parts.

CLEANING:

Mix a mild solution of gentle dishwashing soap and water, apply to surface using a clean cloth lightly dampened in the solution. Rinse well with clear water using a soft clean cloth, then dry all surfaces with a soft dry cloth.

DO NOT use abrasive cleaners or any cleaners with harsh chemicals that would contact a child's skin, scouring pads, steel wool or coarse rags. This furniture should be treated the same as any fine furniture.

STORAGE:

When storing furniture use caution as extreme temperature or humidity changes could be harmful. Use caution when a vaporizer is in use. Always aim vapor stream away from furniture as well as away from any wood furniture item.

After completing the assembly the user is advised to read and be aware of

ALL WARNINGS, CAUTIONS, CLEANING, STORAGE USE AND MAINTENANCE. Please store the complete set of assembly directions for future referral.