



Foundations Worldwide, Inc.
5216 Portside Dr., Medina, OH 44256 USA • PH: 1 330.722.5033 • FAX: 1 330.722.5037
www.childcraftbaby.com

Long Beach Desk Model Covered: F02118

KEEP INSTRUCTIONS FOR FUTURE USE.

**FOR CUSTOMER SERVICE CALL
1-877-716-2757
(outside of U.S. 330-722-5033). DO NOT CALL
RETAILER OR RESELLER FOR SERVICE
AS THEY ARE NOT AUTHORIZED TO
RESOLVE ANY SERVICE ISSUES.**

**FOR WARRANTY AND FEDERAL SAFETY STANDARD
COMPLIANCE CERTIFICATES, PLEASE VISIT OUR
WEBSITE AT
www-foundations.com**

ASSEMBLY ASSISTANCE

**IMPORTANT: Retain for future reference and
read carefully.**

Foundations strives for the highest quality in our products but occasionally a missing part or problem can occur during assembly.

If any parts are missing or broken or you need assistance with assembly, DO NOT return the product to your dealer. Go to our website at www-foundations.com or call Foundations for assistance at 1-877-716-2757 (U.S. Only) or 1-330-722-5033 (Monday through Friday, 9:00 a.m.– 4:00 p.m. Eastern Time). Please have the model number and manufacture date available when you call or write us at:
Foundations, 5216 Portside Dr., Medina, OH. 44256

ASSEMBLY INSTRUCTIONS

- Adult assembly required.
- Read all instructions BEFORE assembly and USE of product.
- Unpack carton, remove packing materials, including polybag. Identify and check all parts.



Record the information for your product here:

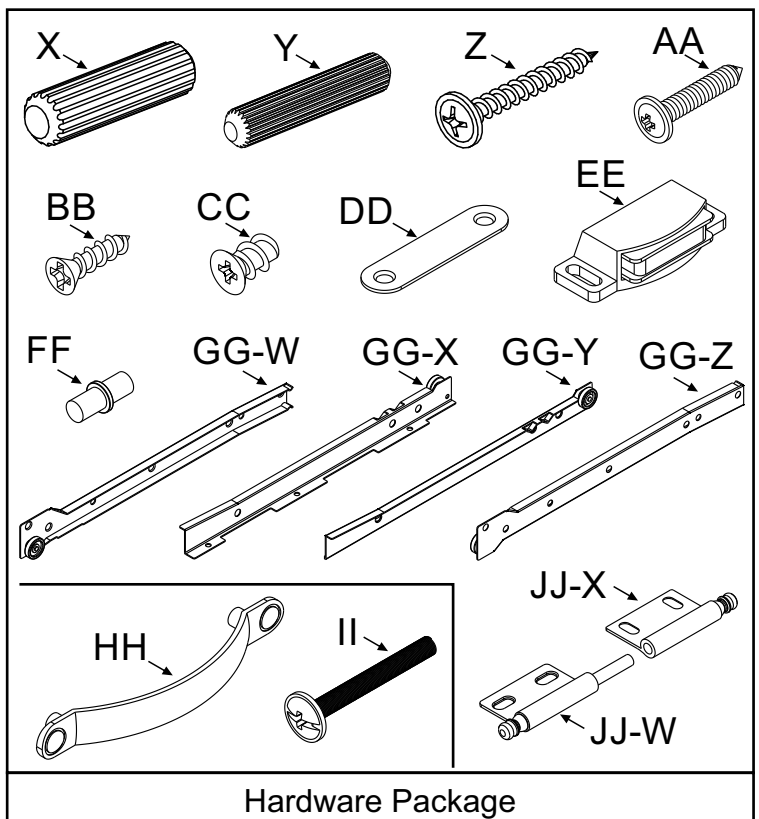
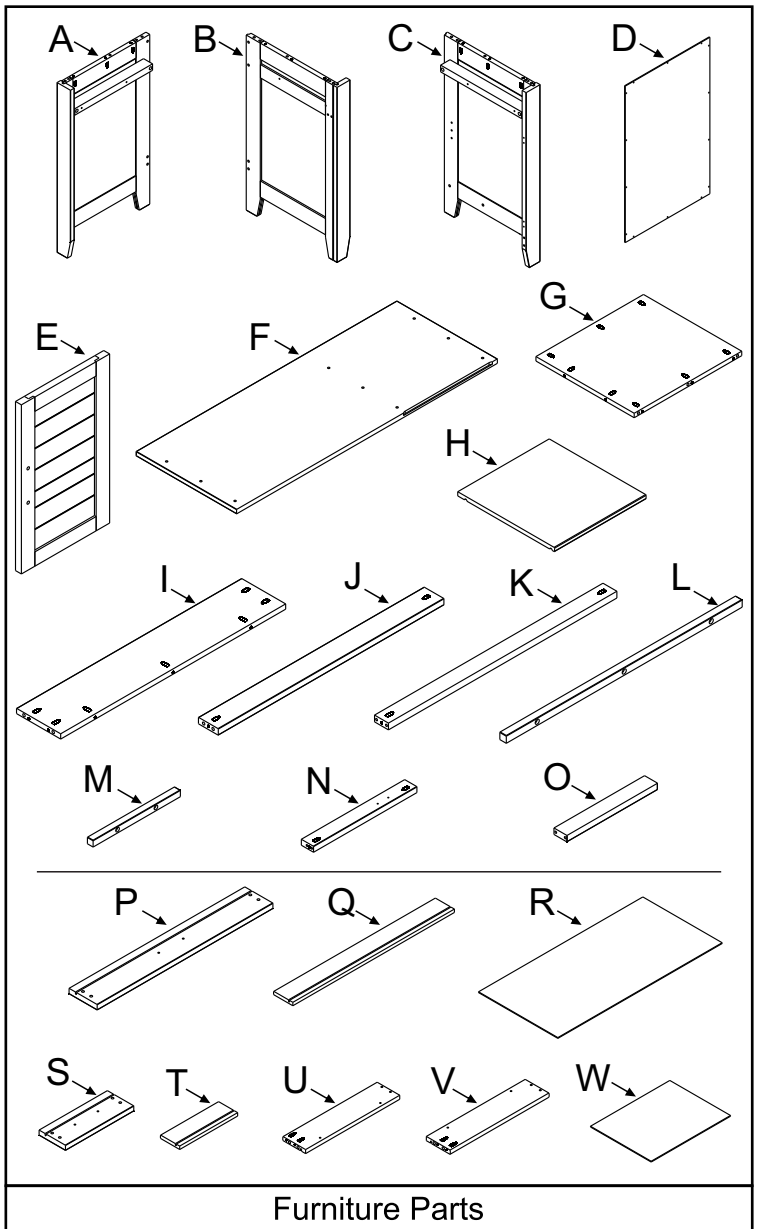
Model number: F02118.59

Manufacture date: 2018 / 12

PO number: 10861

PARTS LIST

Part Description	Part Number	Quantity
A. End Panel - Left	92103564	1
B. Division	92103565	1
C. End Panel - Right	92103566	1
D. Back Panel	92103567	1
E. Door	92103568	1
F. Top Panel	92103569	1
G. Lower Panel	92103570	1
H. Shelf	92103571	1
I. Top Back Rail	92103572	1
J. Back Rail	92103573	1
K. Front Rail	92103574	1
L. Top Front Rail	92103575	1
M. Small Top Front Rail	92103576	1
N. Small Front Rail	92103577	1
O. Bottom Front Rail	92103578	1
P. Drawer Front	92103579	1
Q. Drawer Back	92103580	1
R. Drawer Bottom	92103581	1
S. Small Drawer Front	92103582	1
T. Small Drawer Back	92103583	1
U. Drawer Right Side	92103402	2
V. Drawer Left Side	92103403	2
W. Small Drawer Bottom	92103584	1
X. Dowel Ø8	92103585	31
Y. Dowel Ø6	92103585	12
Z. Flat Head Screw	92103585	48
AA. Flat Head Screw	92103585	16
BB. Flat Head Screw	92103585	10
CC. Glides Screw	92103360	16
DD. Metal Plate	92103586	1
EE. Door Latch	92103587	1
FF. Metal Pin	92103585	4
GG. Glides	92103360	2
HH. Handle	92103450	3
II. Handle Screw	92103450	6
JJ. Door Hinge	92103519	2



PREPARATION

Carefully remove and lay out all hardware and parts.

Check quantities and match the parts list.

Construct case on an even flat floor.

Note: during the assembly process whenever using screws or bolts, check each with the parts list by letter and size identification.

Be sure to use the proper size specified in the assembly directions. If any parts are missing or broken or you need assistance with assembly.

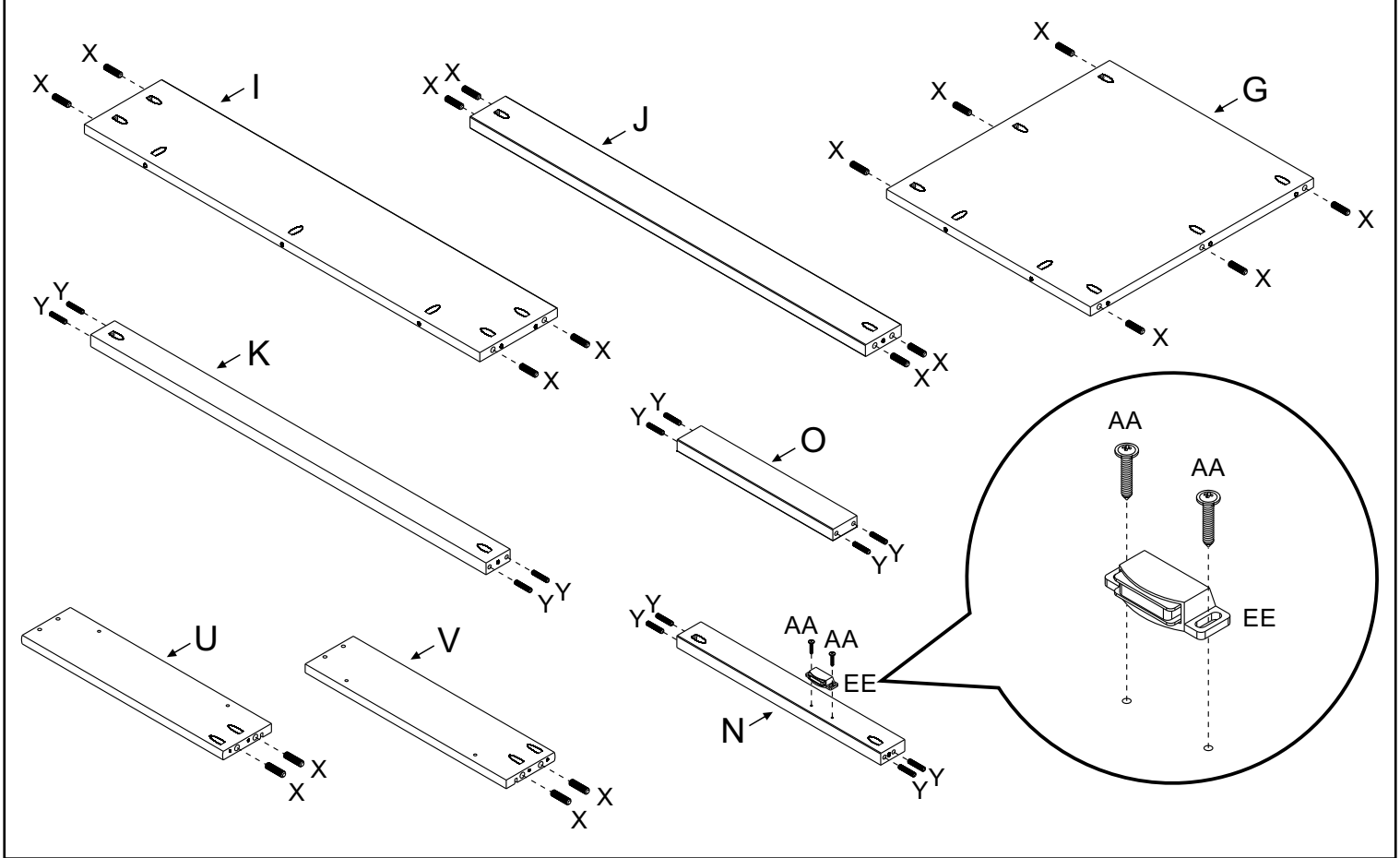
DO NOT return your product to the dealer. Please identify the furniture by the model number identification stamped on the assembly when you call or write to Foundations. Make note of all identification numbers and include this information with your request.

DO NOT Substitute Parts!

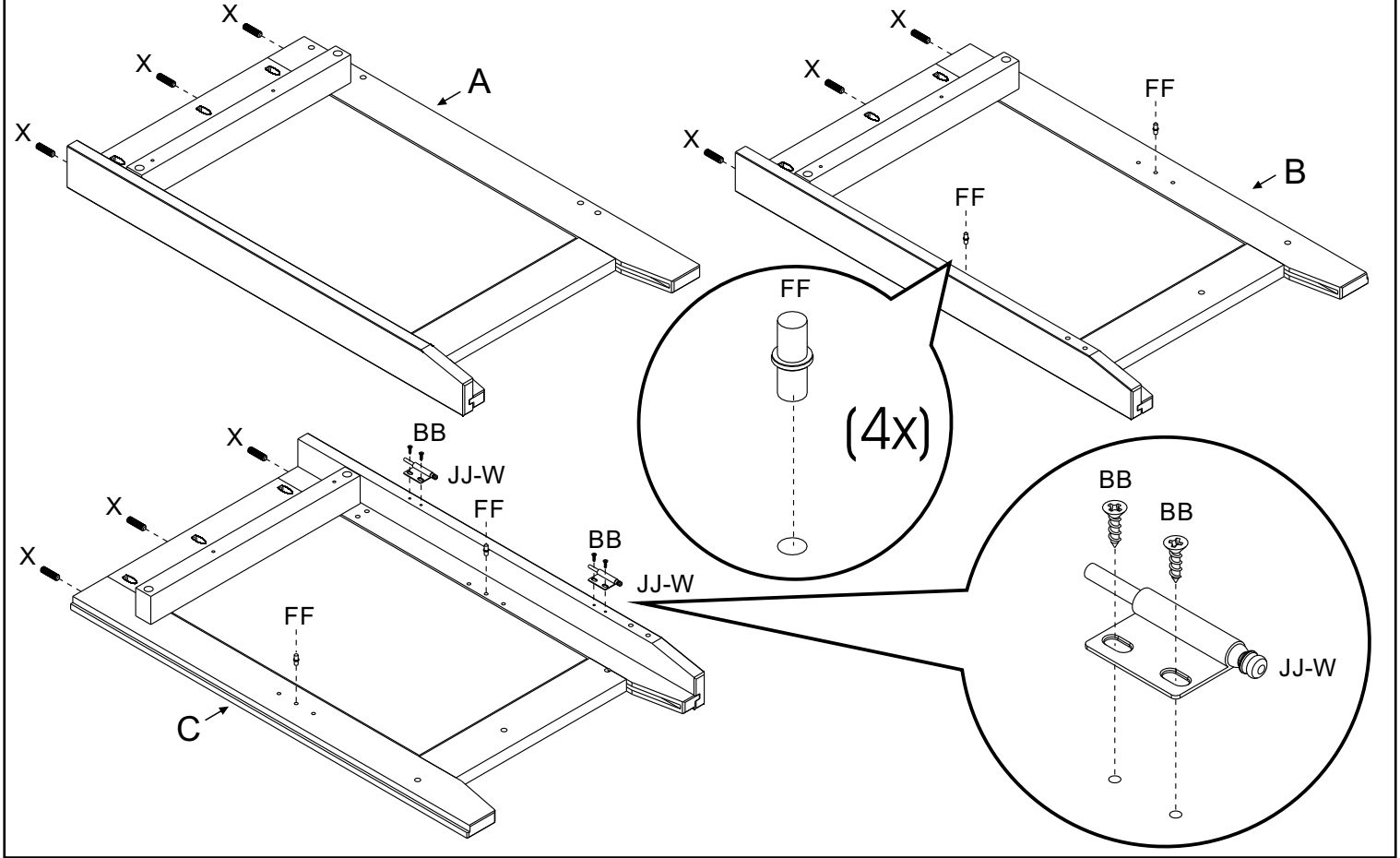
SUGGESTED TOOLS

#2 Medium Straight Screwdriver

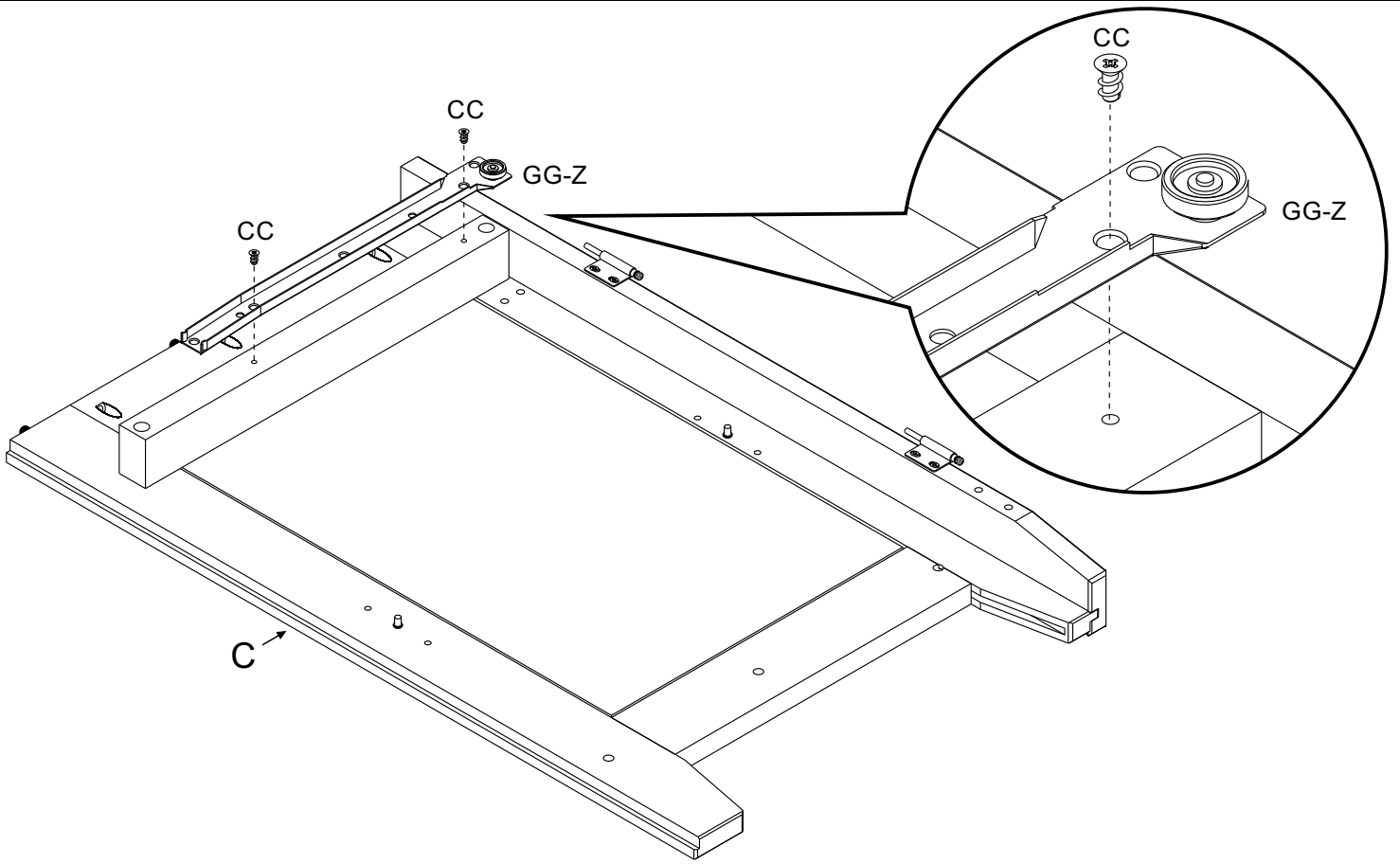
STEP 1



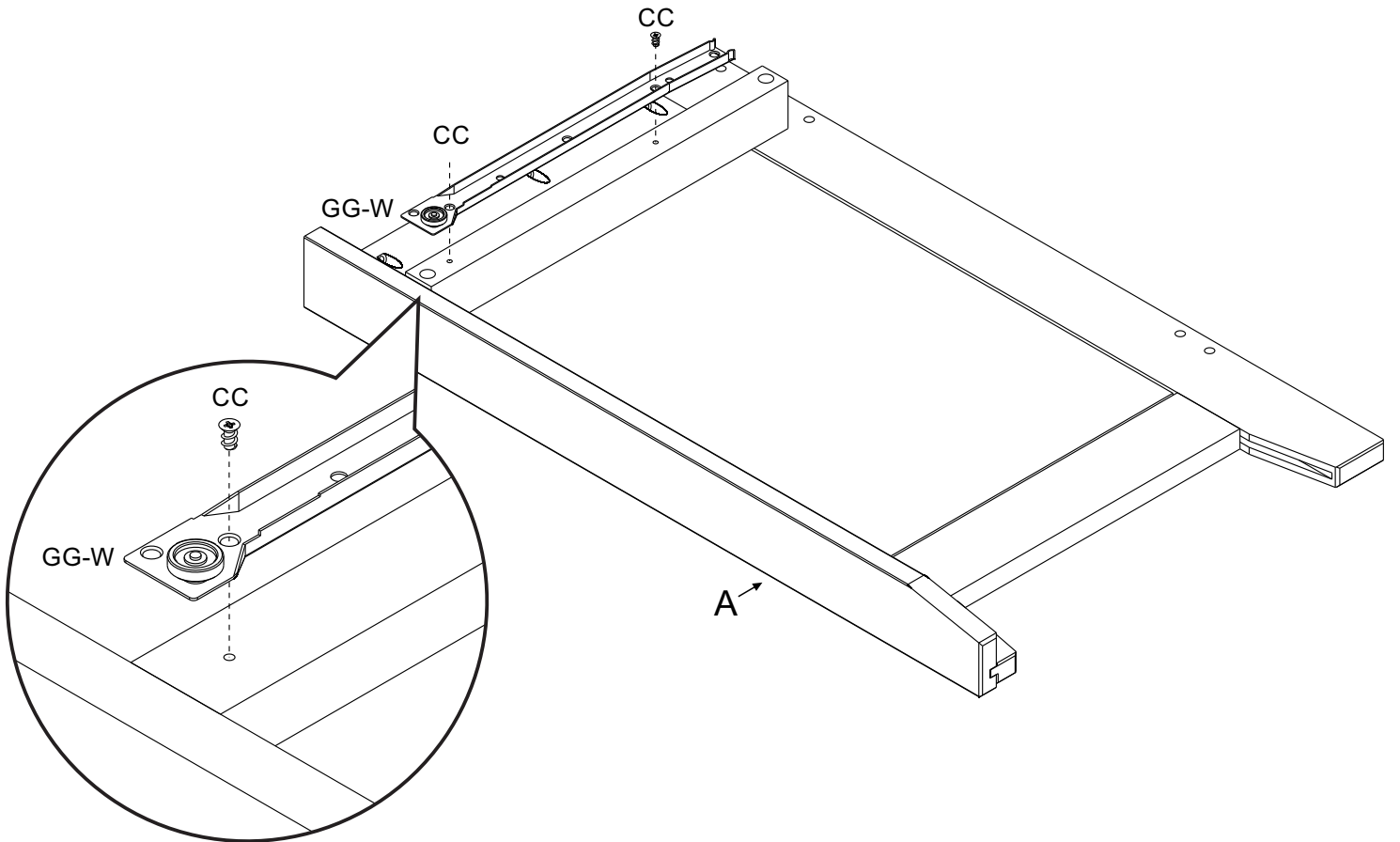
STEP 2



STEP 3

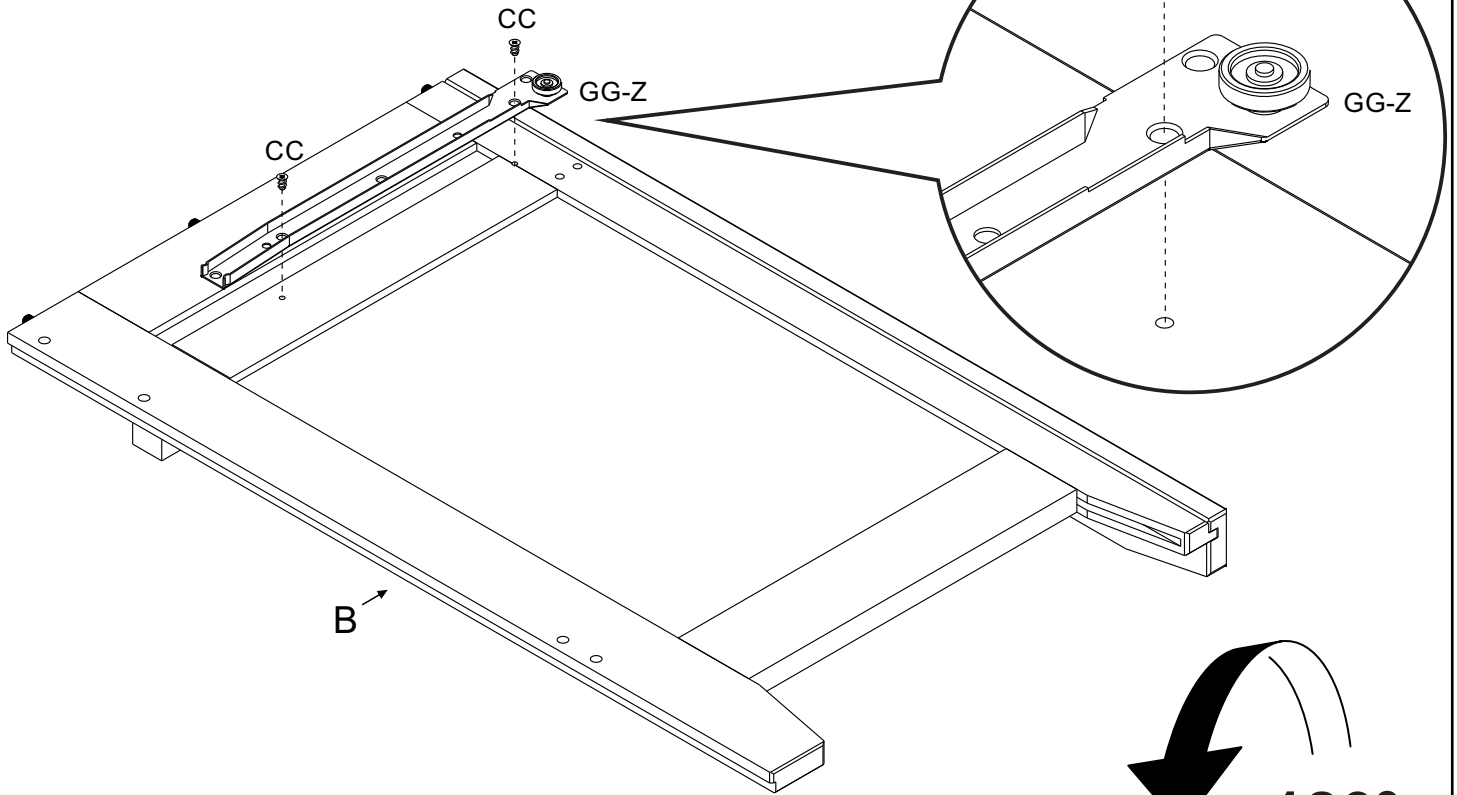


STEP 4

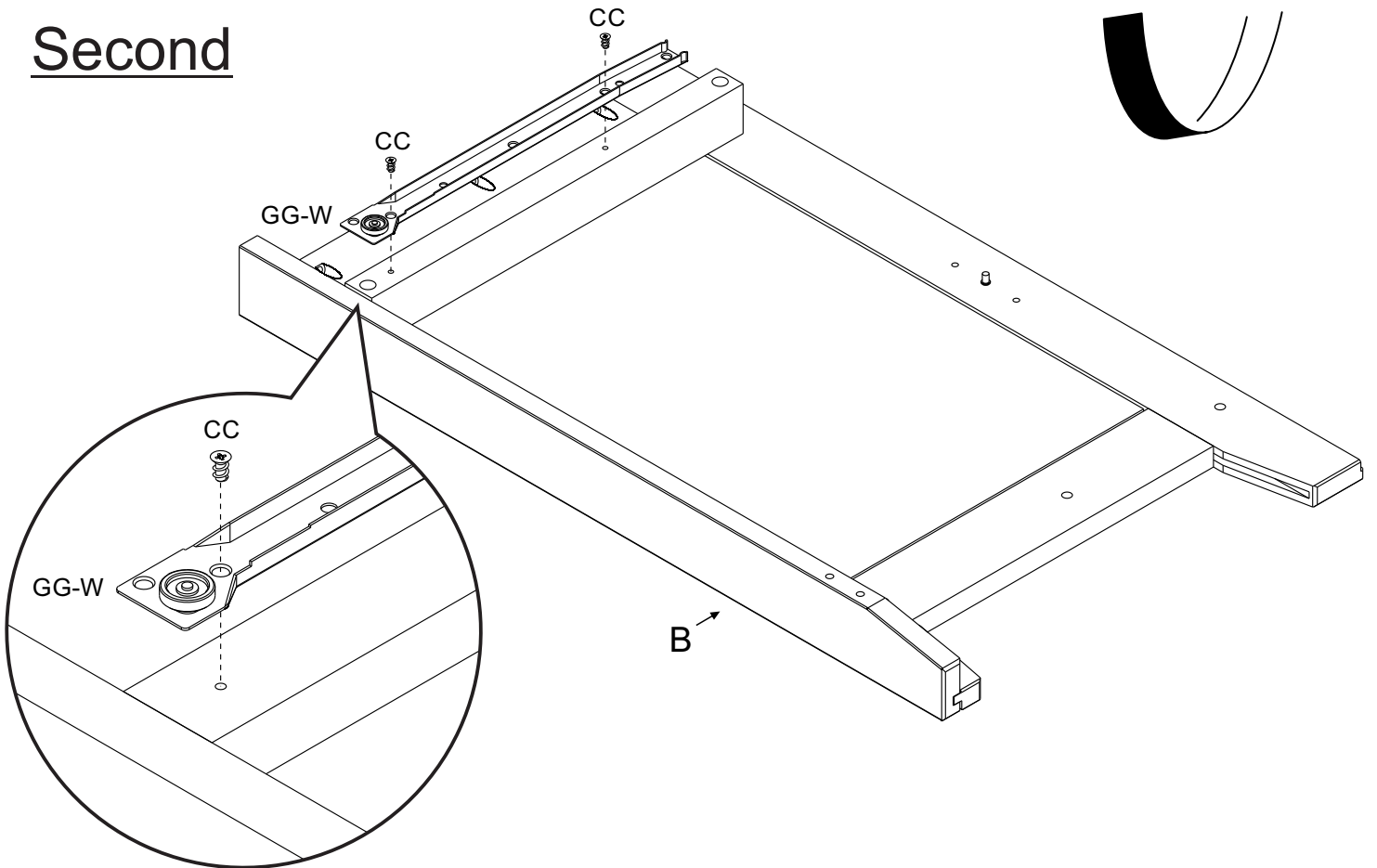


STEP 5

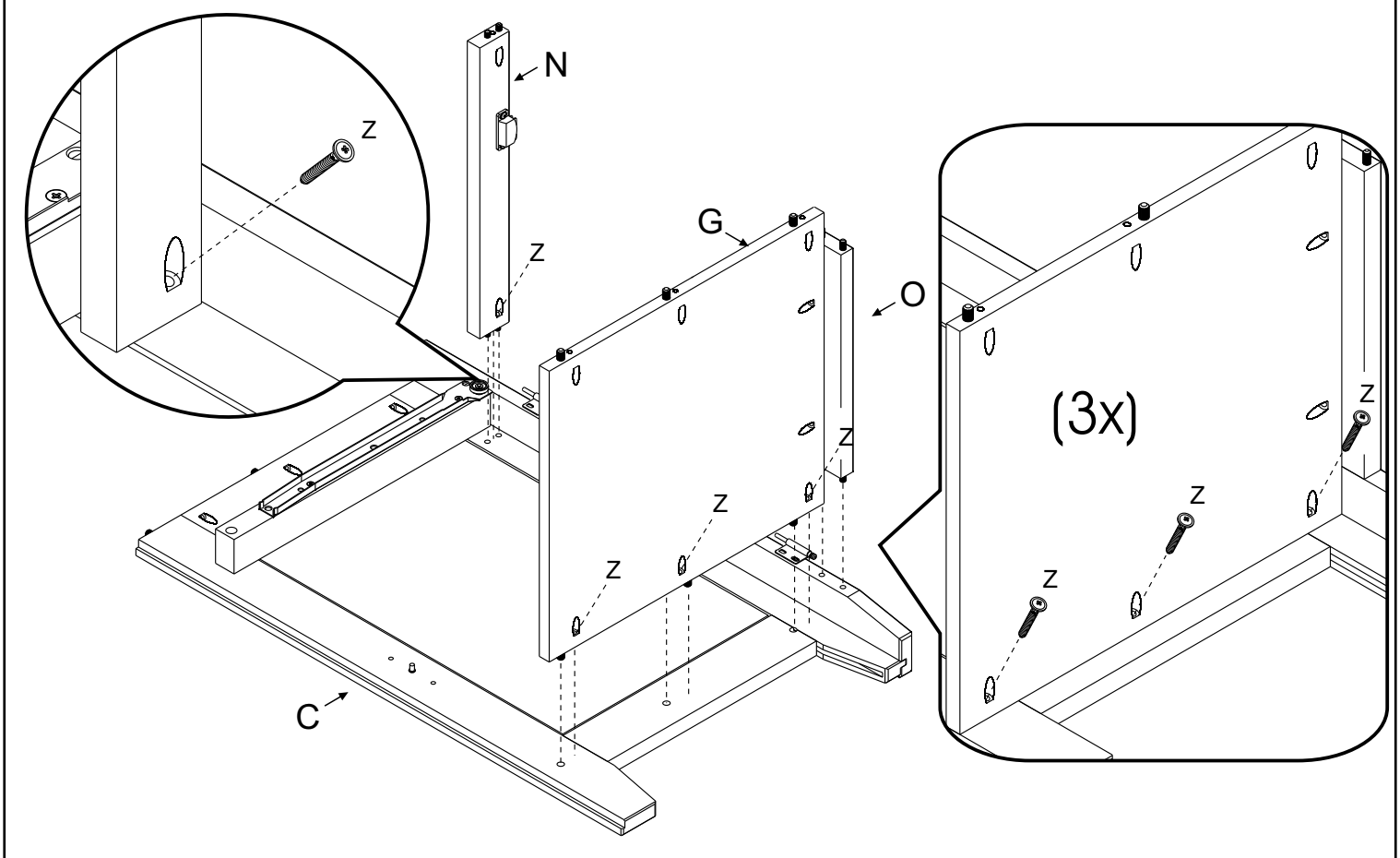
First



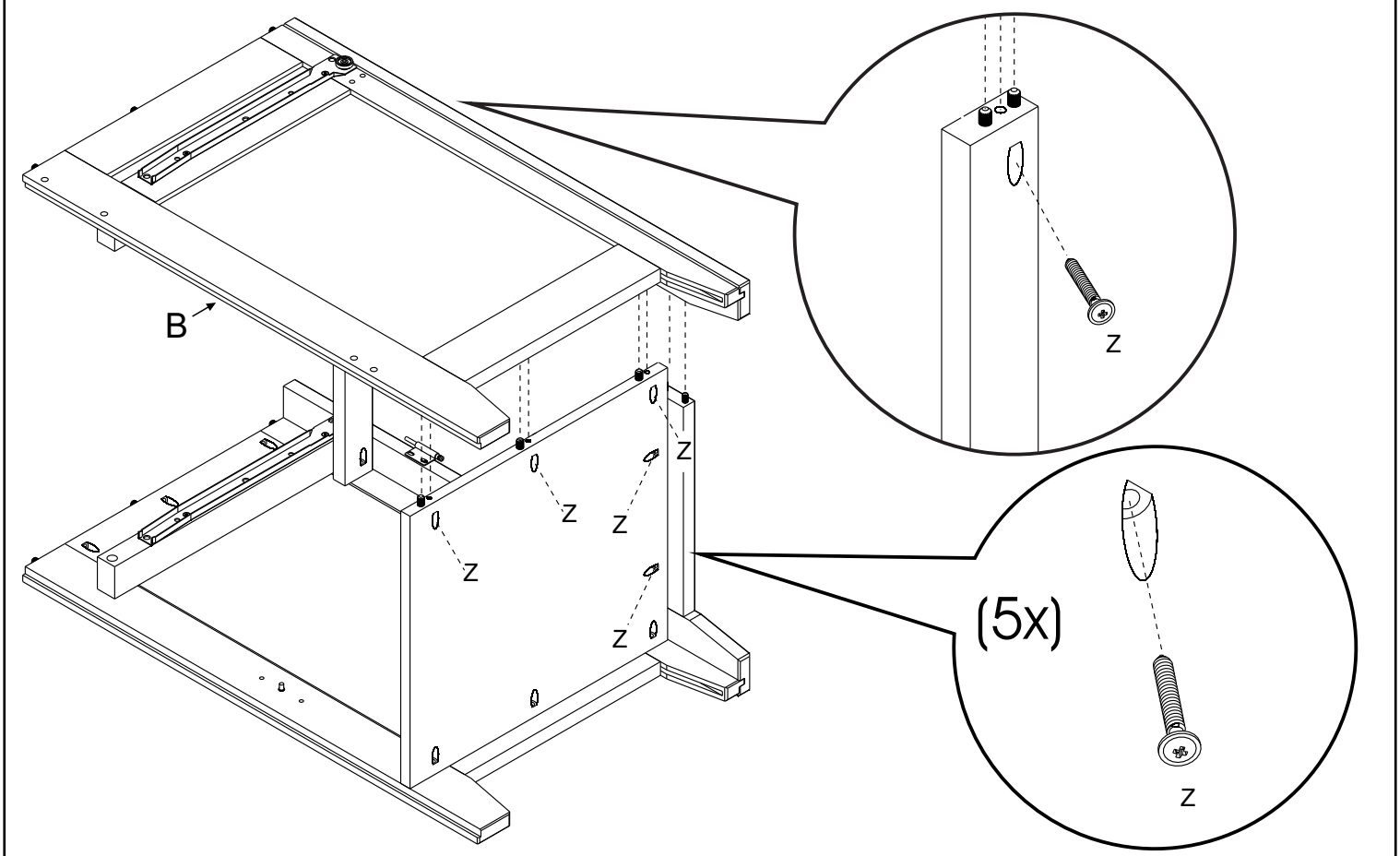
Second



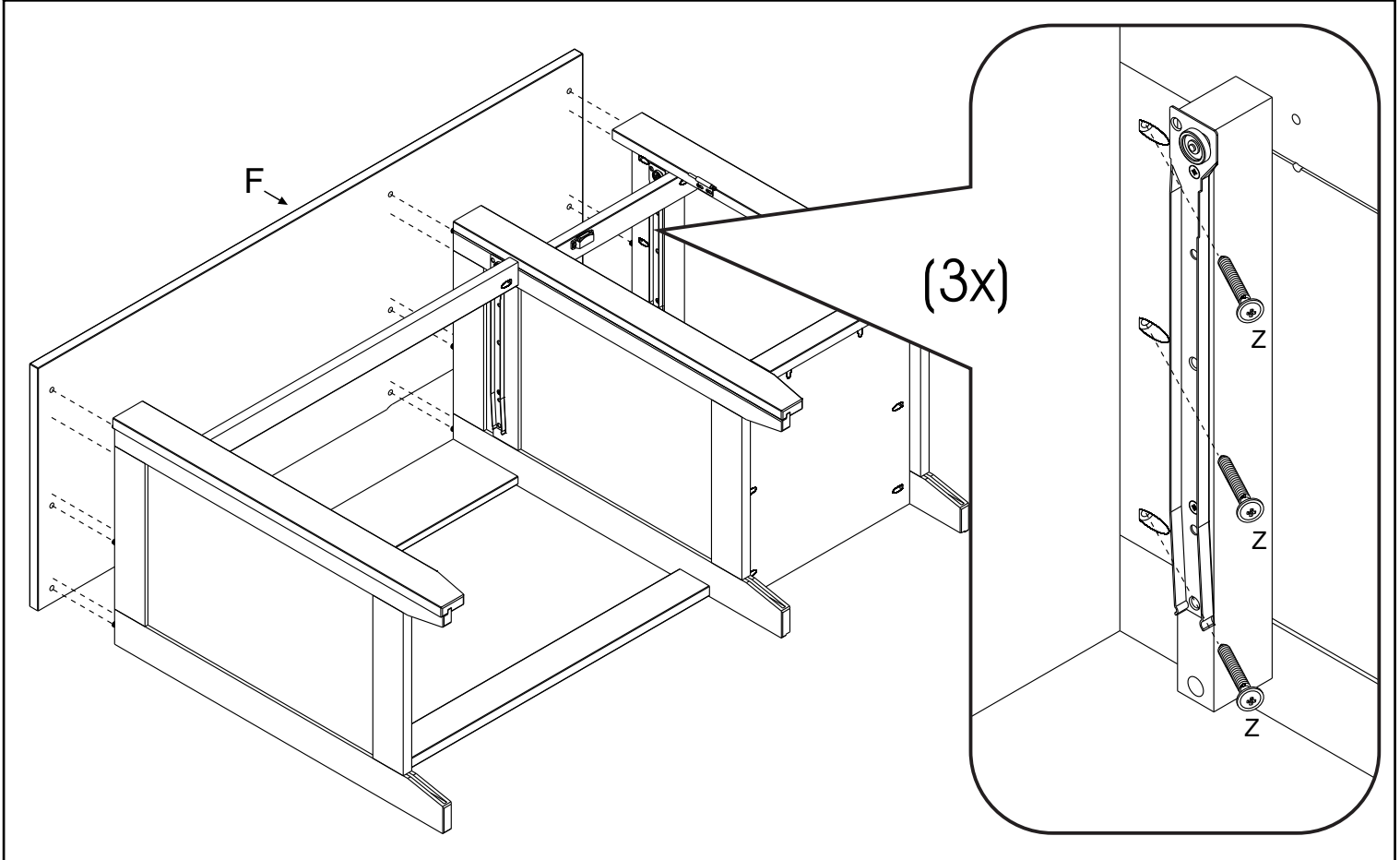
STEP 6



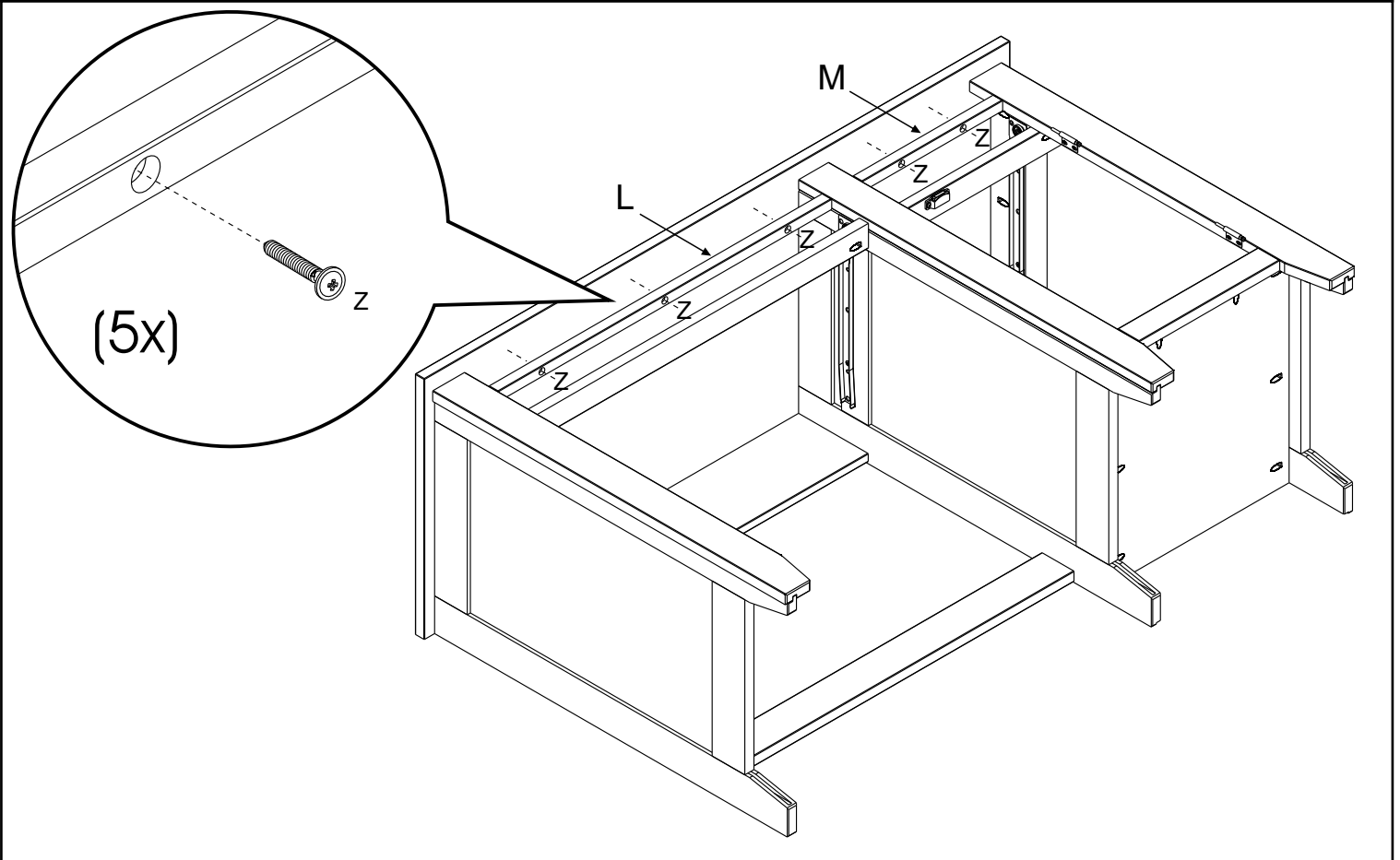
STEP 7



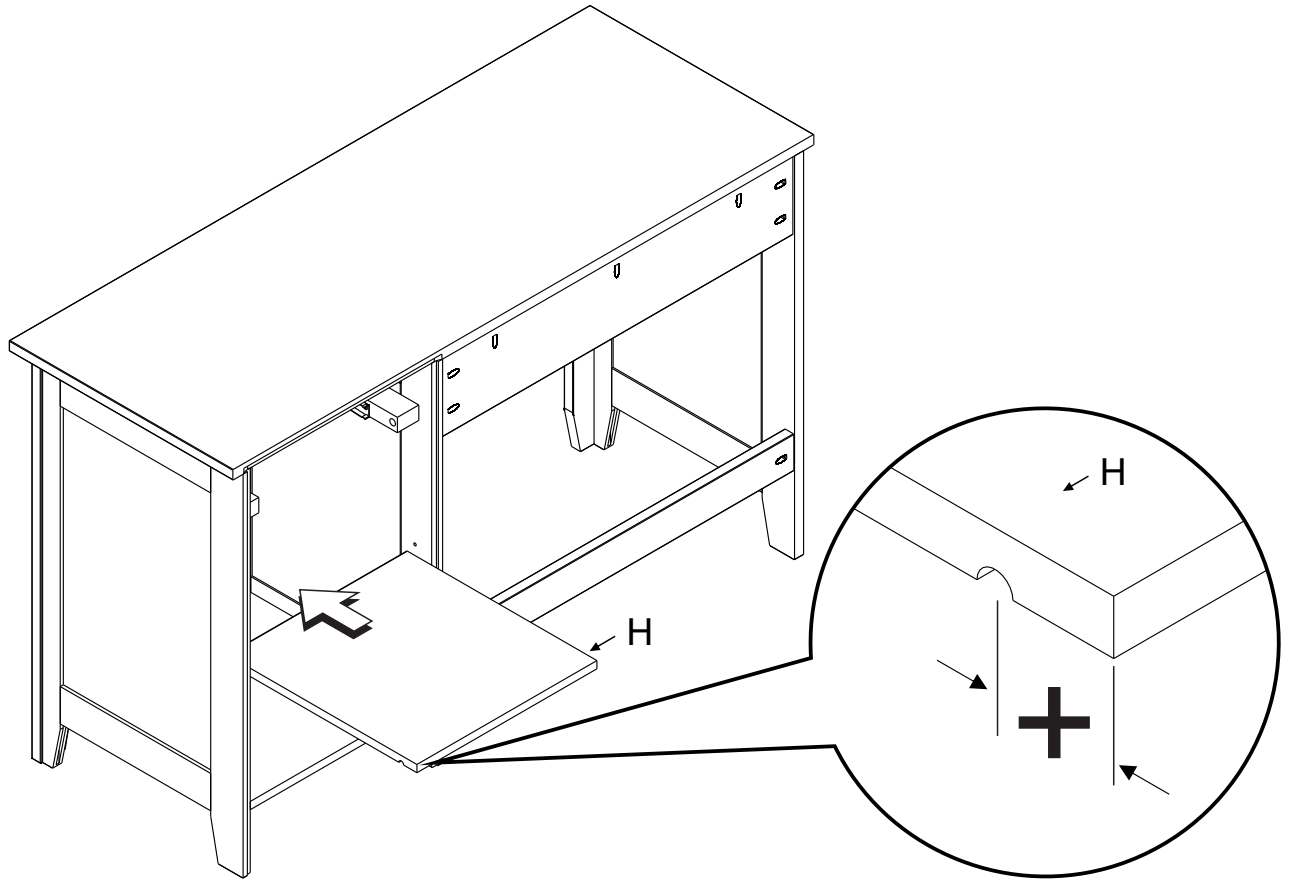
STEP 10



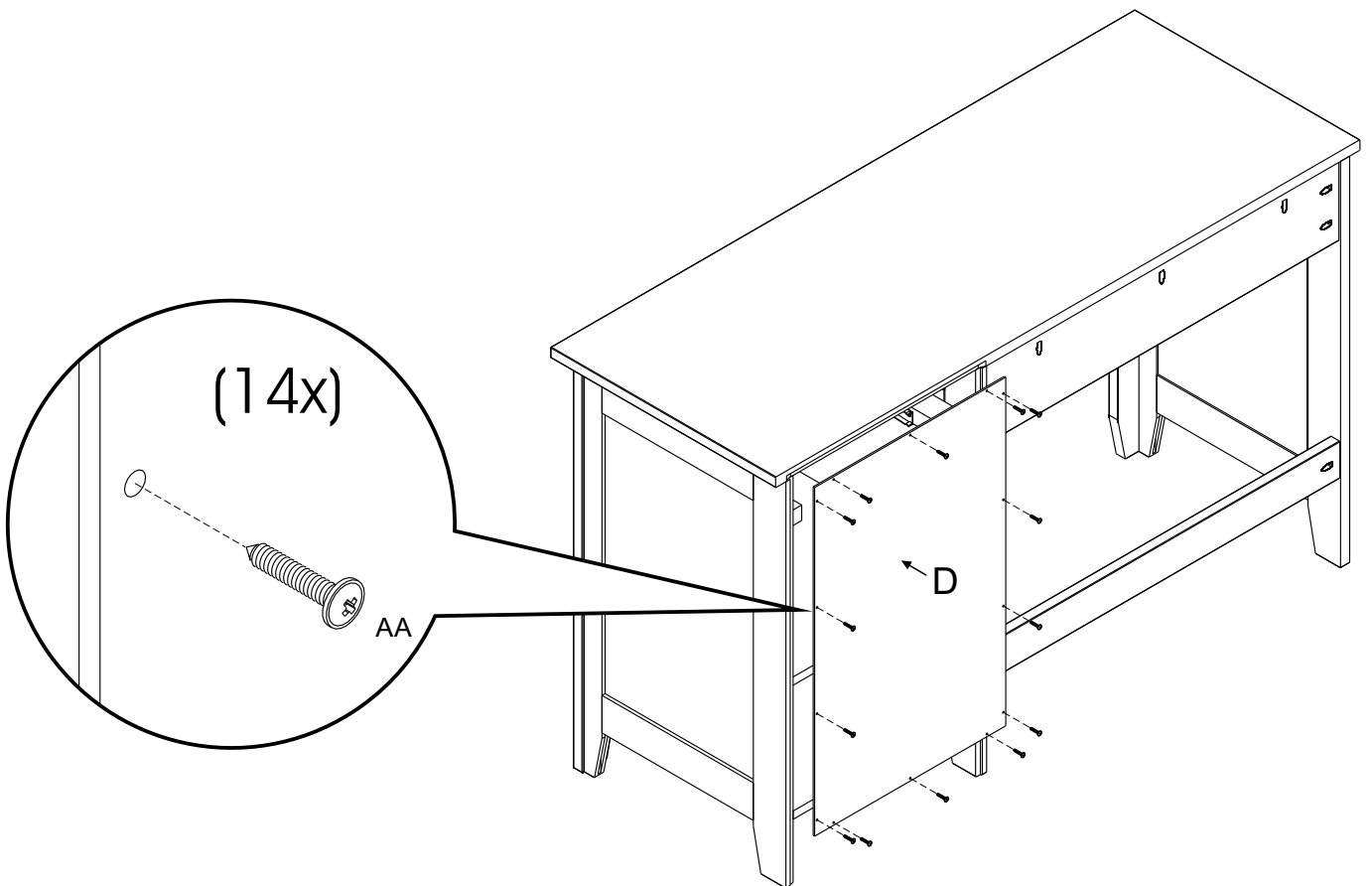
STEP 11



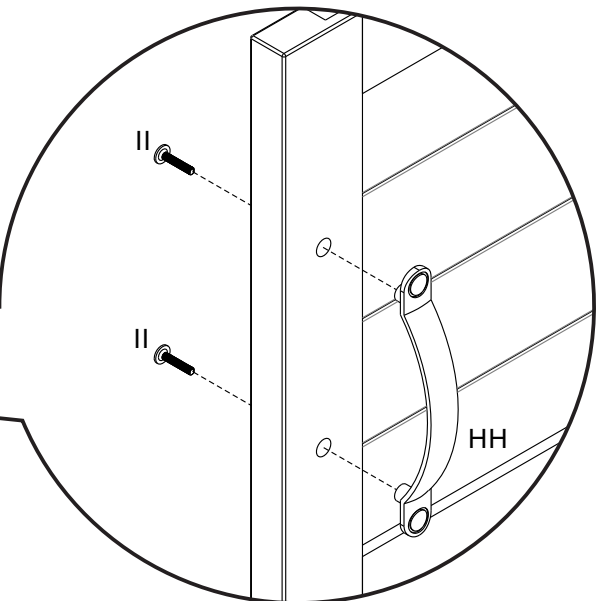
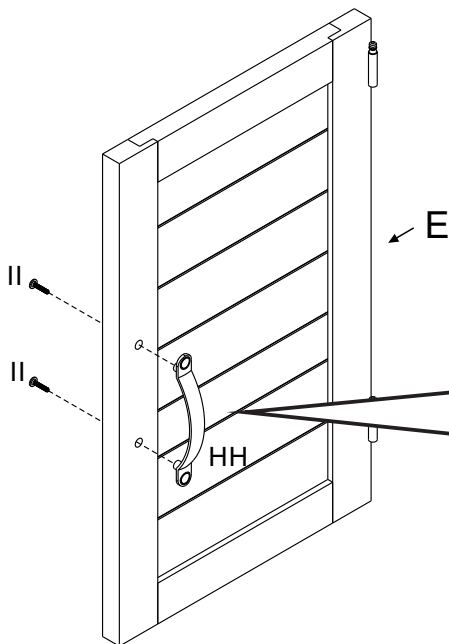
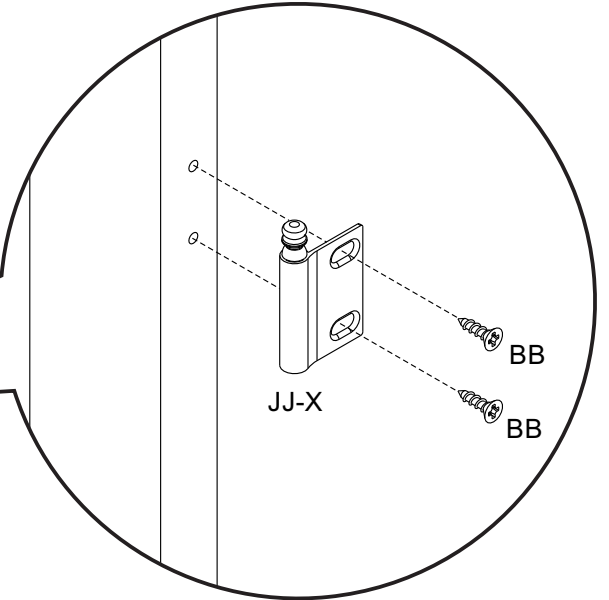
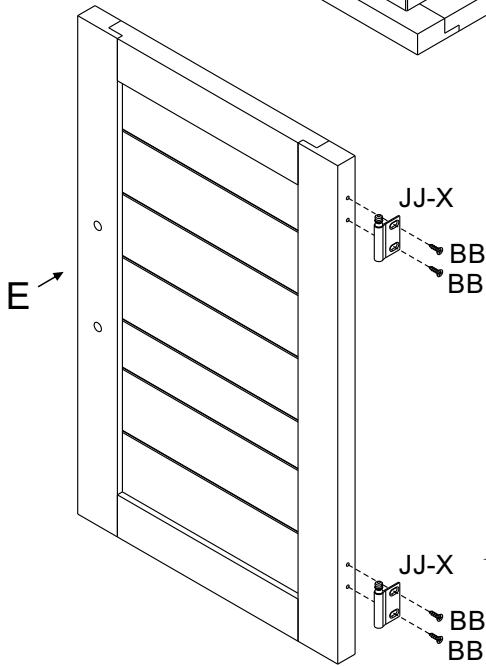
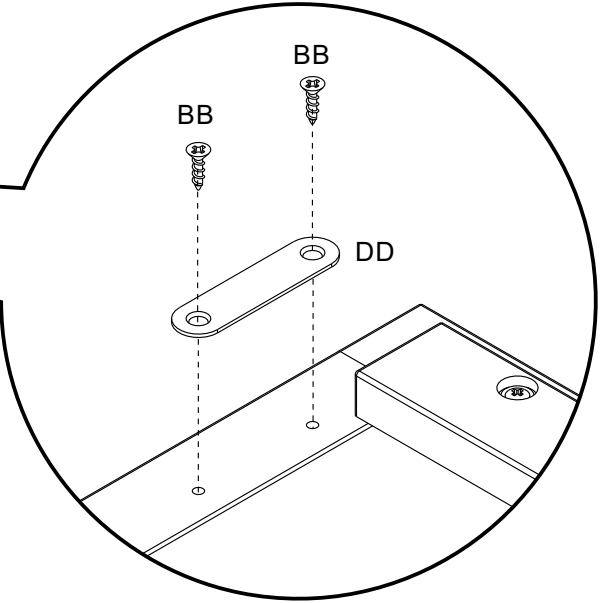
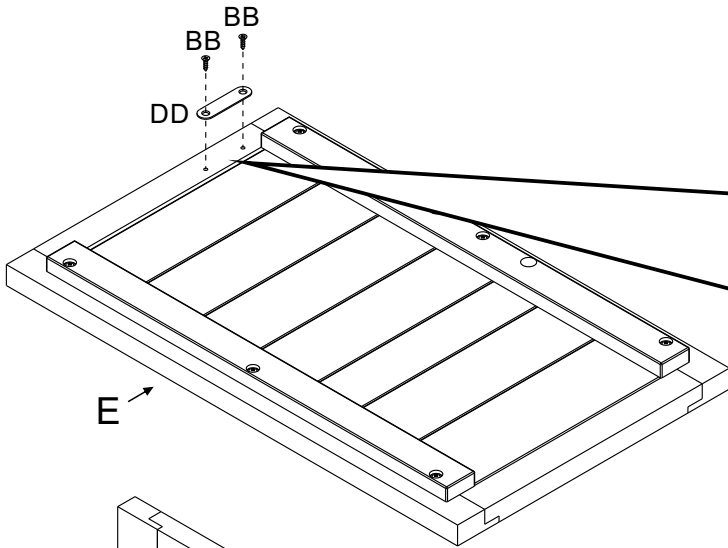
STEP 12



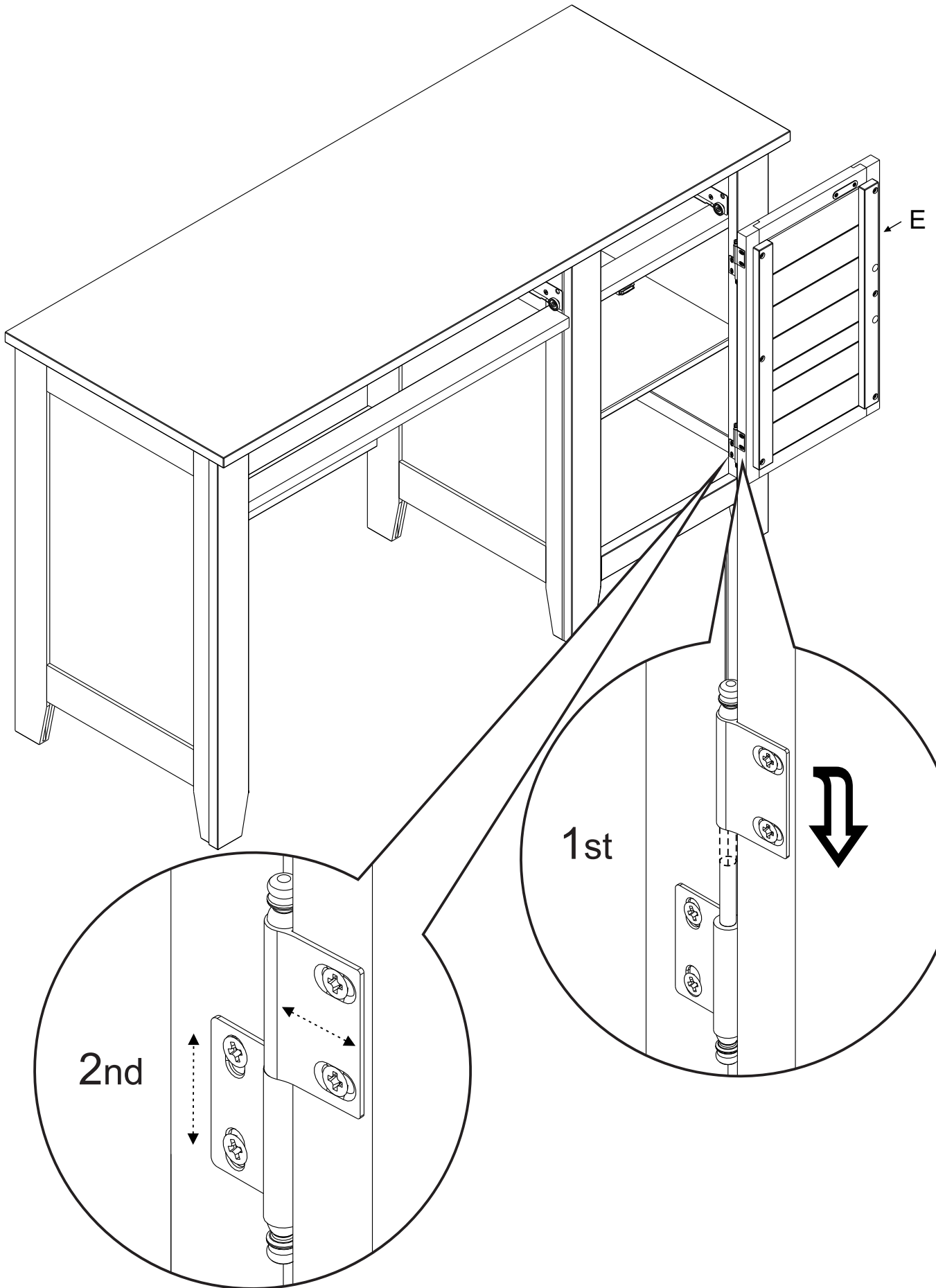
STEP 13



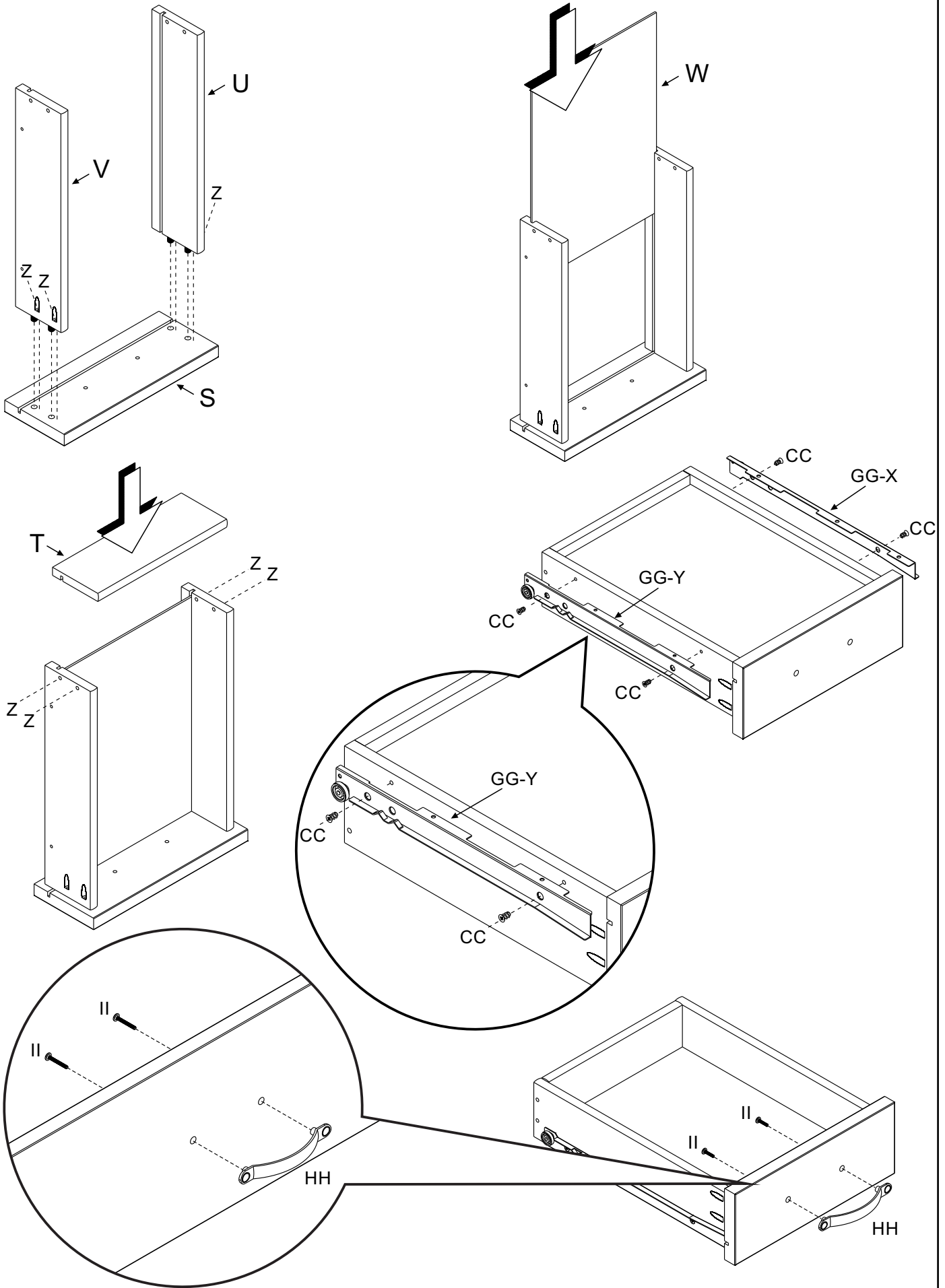
STEP 14



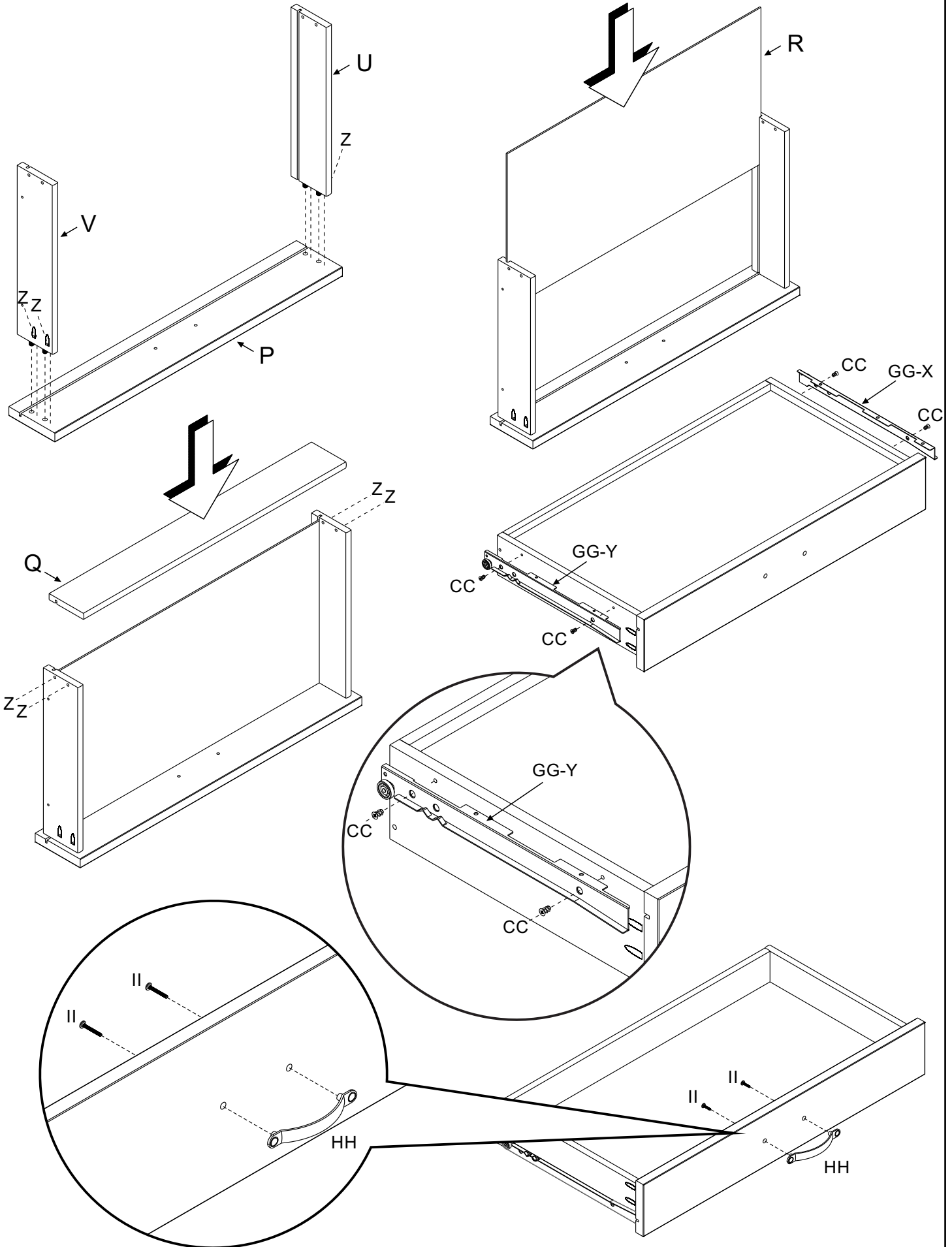
STEP 15



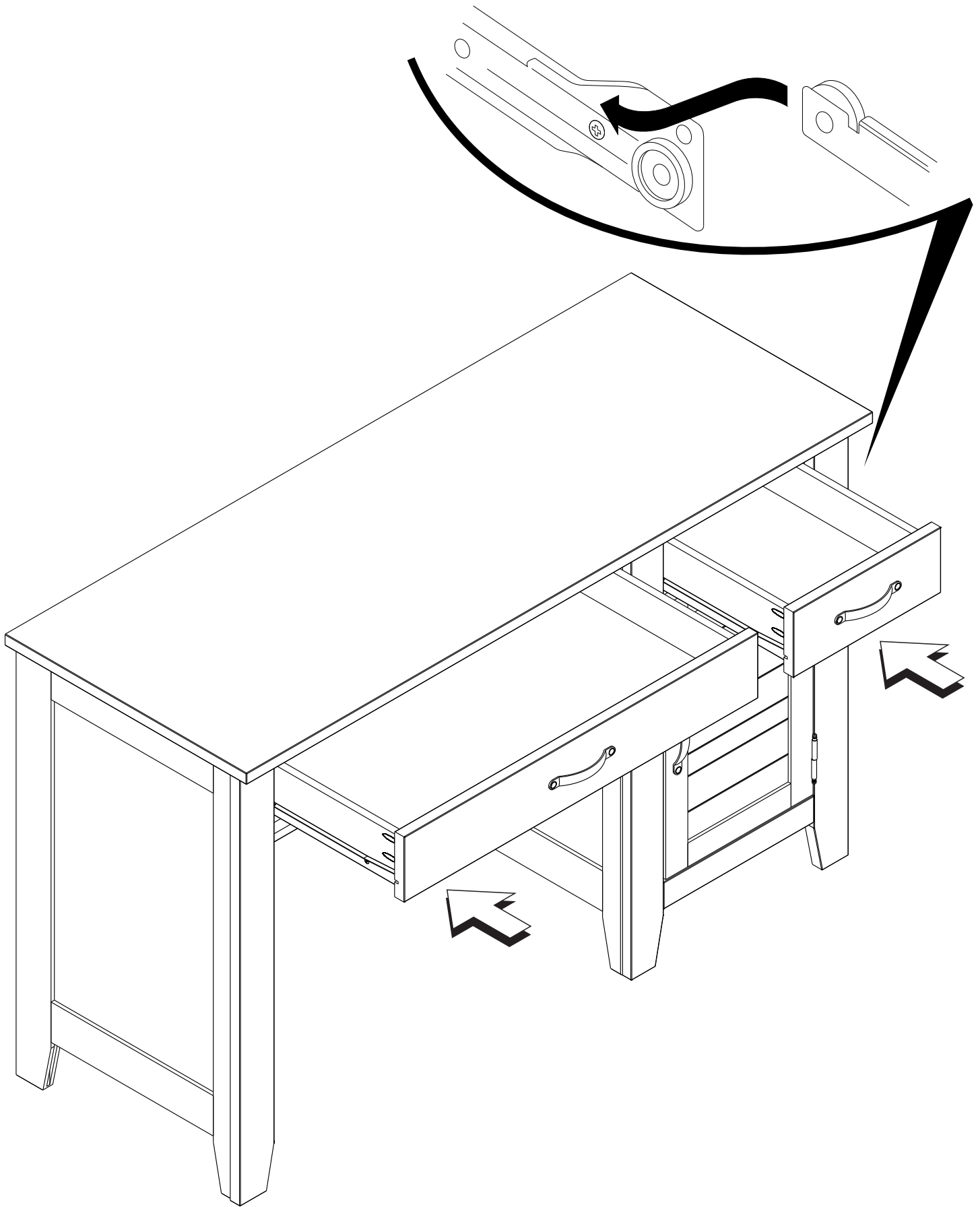
STEP 16



STEP 17



STEP 18



Maintenance Cleaning and Storage

MAINTENANCE:

Upon completion of the assembly, check to make sure all screws, bolts and connectors are tightened and secure.

Periodically check furniture for damaged hardware, loose joints, missing parts or sharp edges before and after assembly and frequently during use.

DO NOT use furniture if any parts are missing or broken.

If any parts are missing, broken or you need assistance **DO NOT** return furniture to your dealer.

Call Foundations at 330.722.5033 and include model identification numbers recorded on page 1.

DO NOT substitute parts.

CLEANING:

Mix a mild solution of gentle dishwashing soap and water, apply to surface using a clean cloth lightly dampened in the solution. Rinse well with clear water using a soft clean cloth, then dry all surfaces with a soft dry cloth.

DO NOT use abrasive cleaners or any cleaners with harsh chemicals that would contact a child's skin, scouring pads, steel wool or coarse rags. This furniture should be treated the same as any fine furniture.

STORAGE:

When storing furniture use caution as extreme temperature or humidity changes could be harmful. Use caution when a vaporizer is in use. Always aim vapor stream away from furniture as well as away from any wood furniture item.

After completing the assembly the user is advised to read and be aware of

ALL WARNINGS, CAUTIONS, CLEANING, STORAGE USE AND MAINTENANCE. Please store the complete set of assembly directions for future referral.