



Foundations Worldwide, Inc.
 5216 Portside Dr., Medina, OH 44256 USA • PH: 1 330.722.5033 • FAX: 1 330.722.5037
 www.childcraftbaby.com

Long Beach Night Stand Model Covered: F02128

KEEP INSTRUCTIONS FOR FUTURE USE.

**FOR CUSTOMER SERVICE CALL
 1-877-716-2757
 (outside of U.S. 330-722-5033). DO NOT CALL
 RETAILER OR RESELLER FOR SERVICE
 AS THEY ARE NOT AUTHORIZED TO
 RESOLVE ANY SERVICE ISSUES.**

**FOR WARRANTY AND FEDERAL SAFETY STANDARD
 COMPLIANCE CERTIFICATES, PLEASE VISIT OUR
 WEBSITE AT
 www.foundations.com**

ASSEMBLY ASSISTANCE

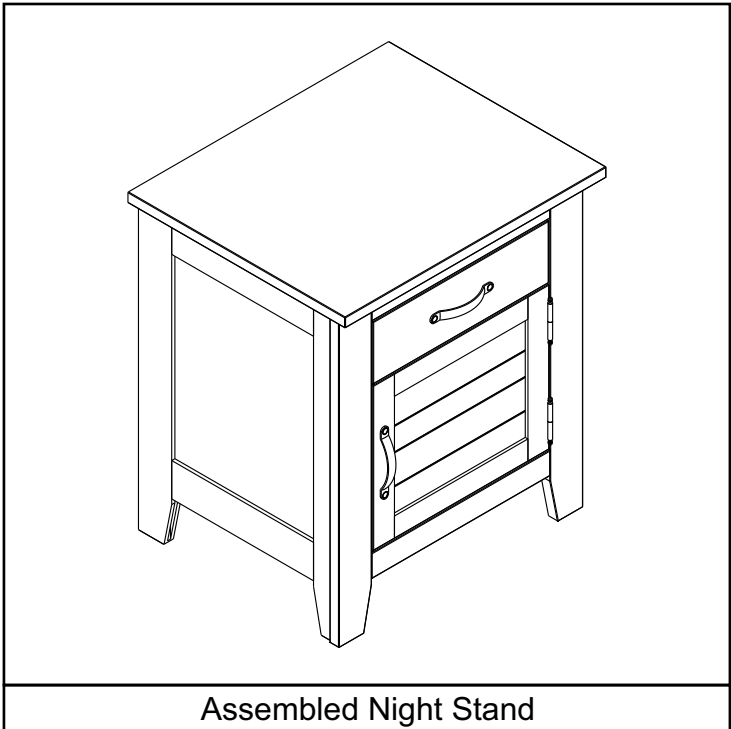
IMPORTANT: Retain for future reference and read carefully.

Foundations strives for the highest quality in our products but occasionally a missing part or problem can occur during assembly.

If any parts are missing or broken or you need assistance with assembly, DO NOT return the product to your dealer. Go to our website at www.foundations.com or call Foundations for assistance at 1-877-716-2757 (U.S. Only) or 1-330-722-5033 (Monday through Friday, 9:00 a.m.– 4:00 p.m. Eastern Time). Please have the model number and manufacture date available when you call or write us at:
 Foundations, 5216 Portside Dr., Medina, OH. 44256

ASSEMBLY INSTRUCTIONS

- Adult assembly required.
- Read all instructions BEFORE assembly and USE of product.
- Unpack carton, remove packing materials, including polybag. Identify and check all parts.



Record the information for your product here:

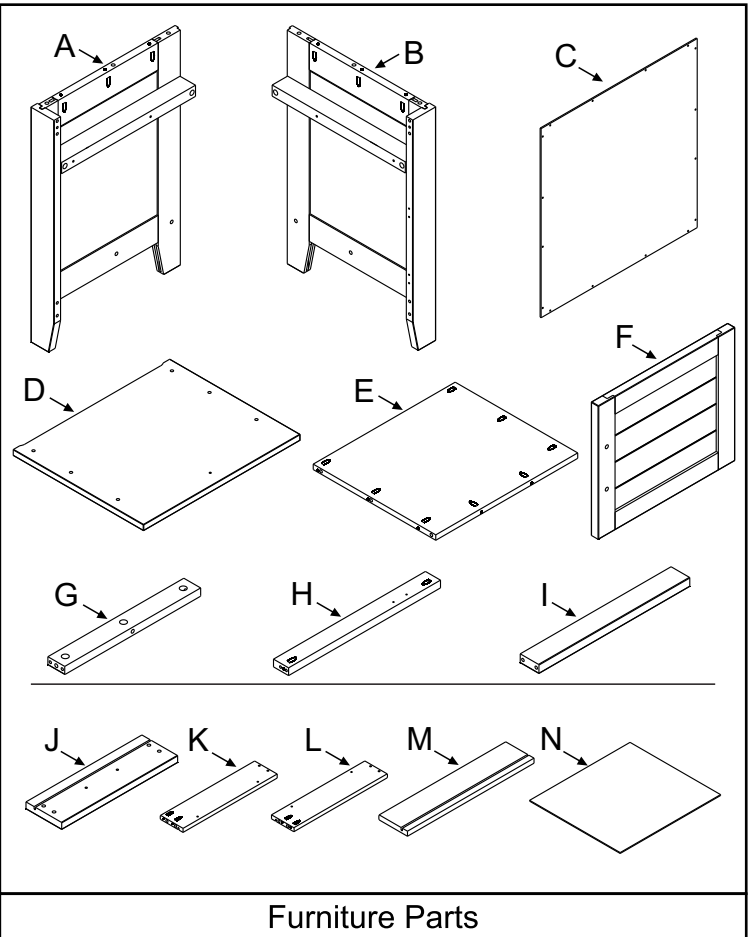
Model number: F02128.59

Manufacture date: 2018 / 12

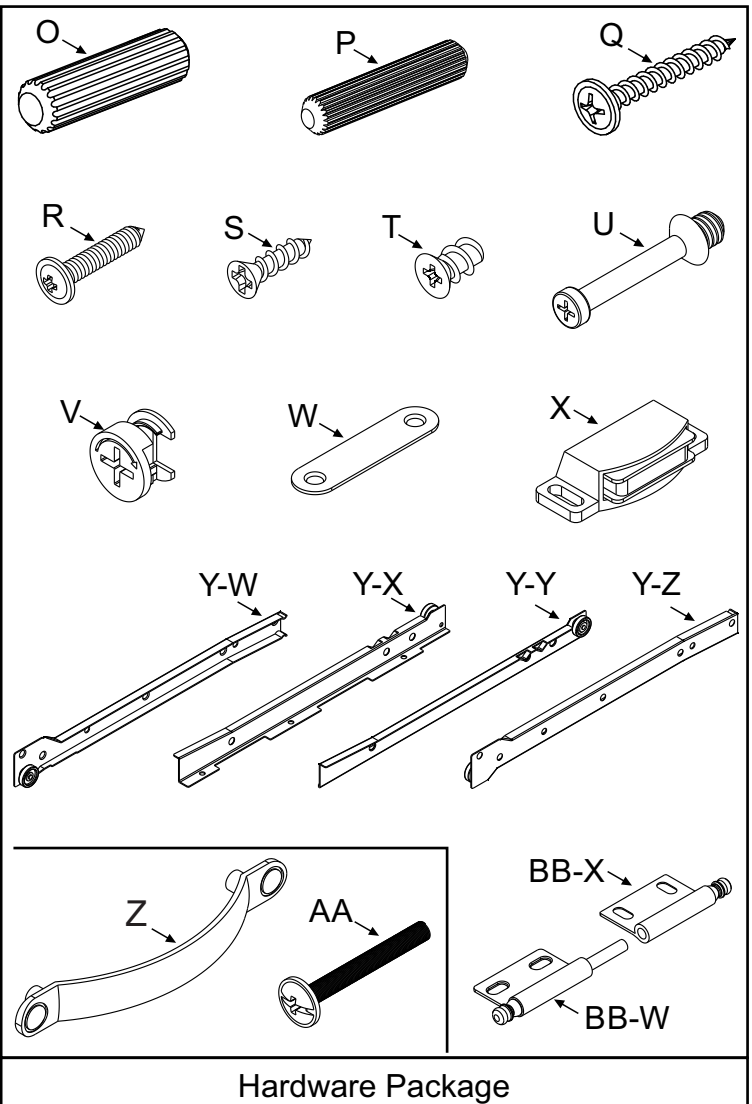
PO number: 10861

PARTS LIST

Part Description	Part Number	Quantity
A. End Panel - Left	92103504	1
B. End Panel - Right	92103505	1
C. Back Panel	92103506	1
D. Top Panel	92103507	1
E. Lower Panel	92103508	1
F. Door	92103509	1
G. Top Front Rail	92103510	1
H. Front Rail	92103511	1
I. Bottom Front Rail	92103512	1
J. Drawer Front	92103513	1
K. Drawer Right Side	92103402	1
L. Drawer Left Side	92103403	1
M. Drawer Back	92103514	1
N. Drawer Bottom	92103515	1
O. Dowel Ø8	92103516	16
P. Dowel Ø6	92103516	12
Q. Flat Head Screw	92103516	24
R. Flat Head Screw	92103516	18
S. Flat Head Screw	92103516	10
T. Glide Screw	92103360	8
U. Minifix Screw	92103516	3
V. Minifix Round Nut	92103516	3
W. Metal Plate	92103517	1
X. Door Latch	92103518	1
Y. Glides	92103360	1
Z. Handle	92103450	2
AA. Handle Screw	92103450	4
BB. Door Hinge	92103519	2



Furniture Parts



Hardware Package

PREPARATION

Carefully remove and lay out all hardware and parts. Check quantities and match the parts list. Construct case on an even flat floor.

Note: during the assembly process whenever using screws or bolts, check each with the parts list by letter and size identification.

Be sure to use the proper size specified in the assembly directions. If any parts are missing or broken or you need assistance with assembly.

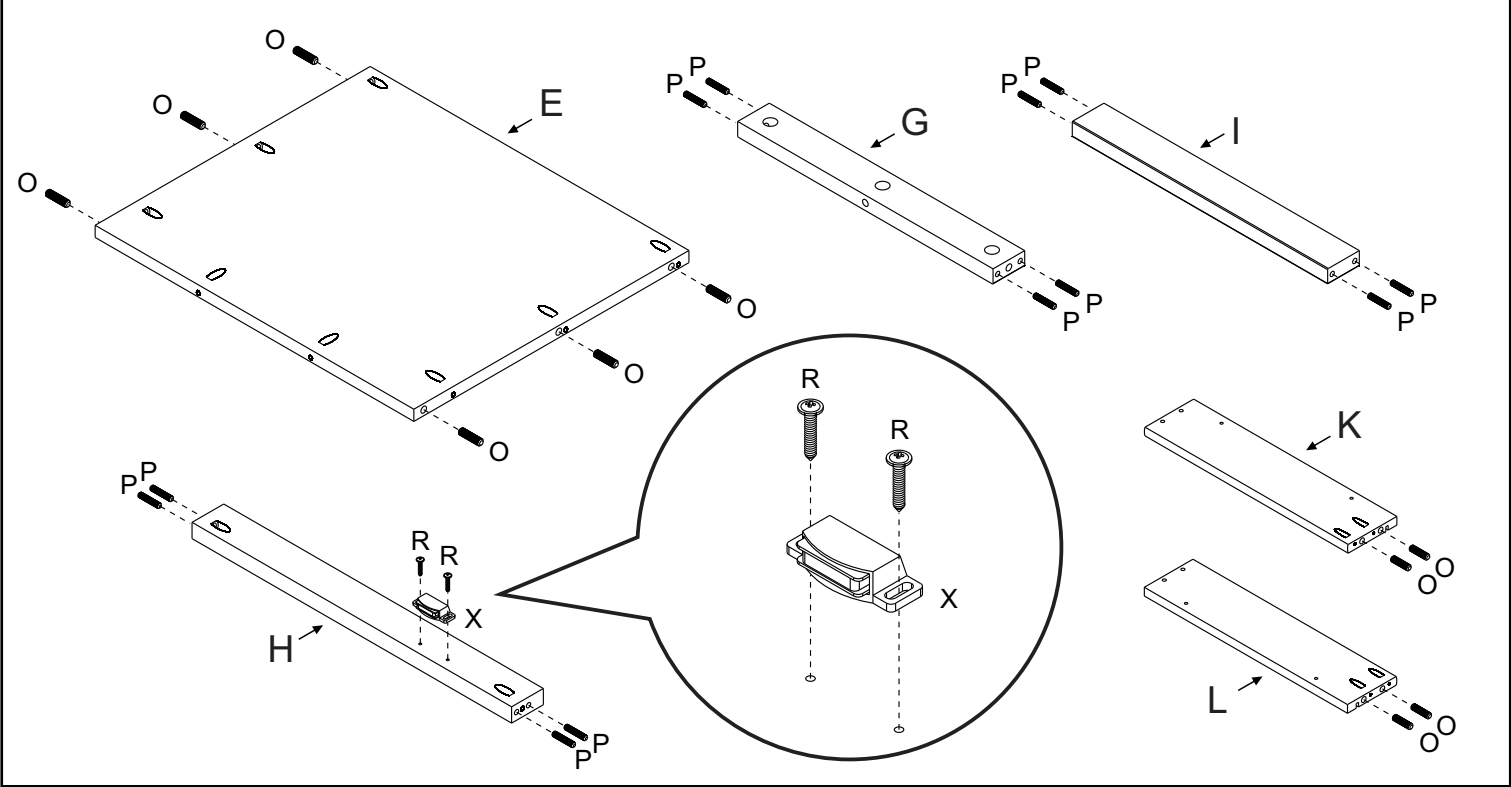
DO NOT return your product to the dealer. Please identify the furniture by the model number identification stamped on the assembly when you call or write to Foundations. Make note of all identification numbers and include this information with your request.

DO NOT Substitute Parts!

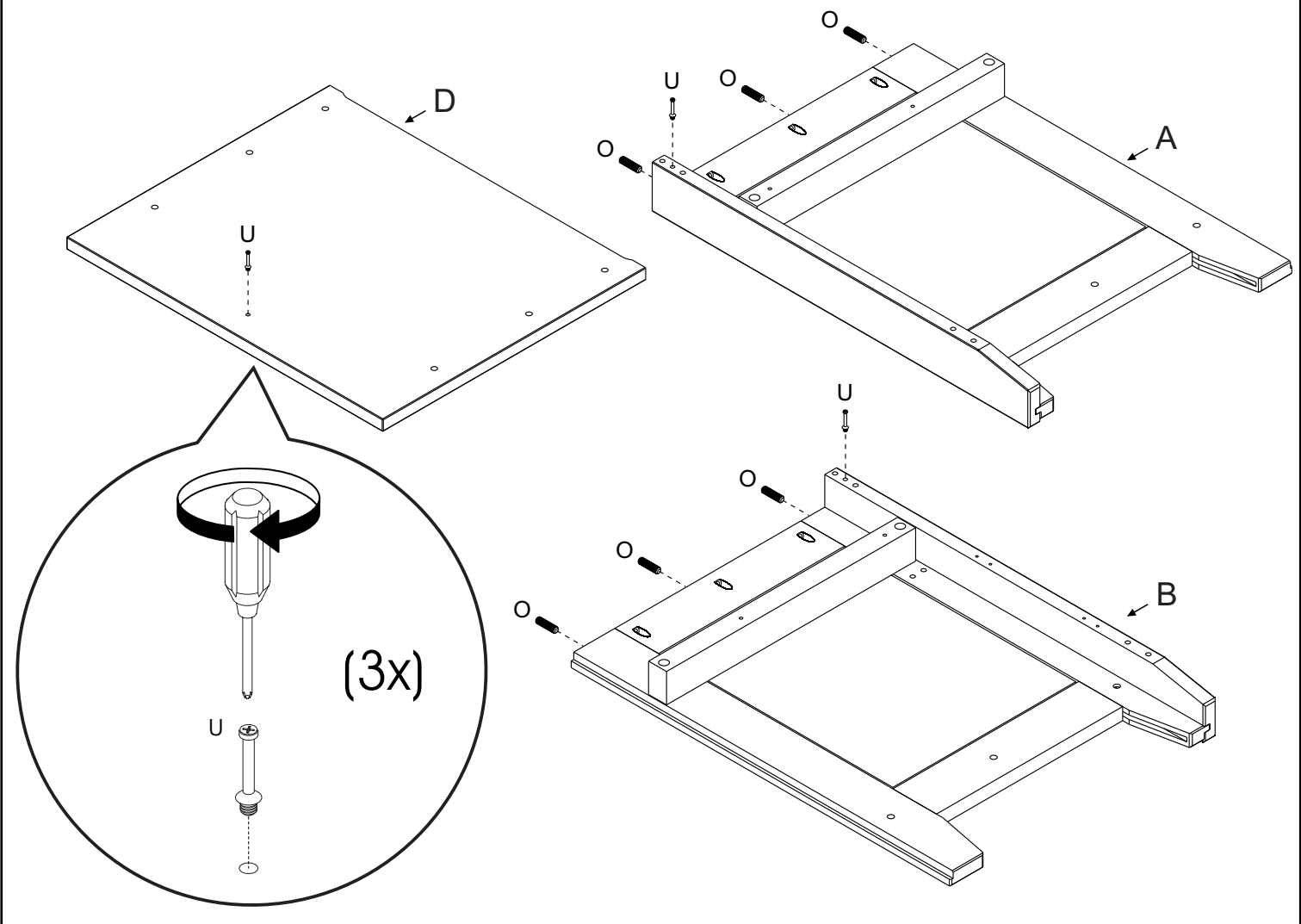
SUGGESTED TOOLS

#2 Medium Straight Screwdriver

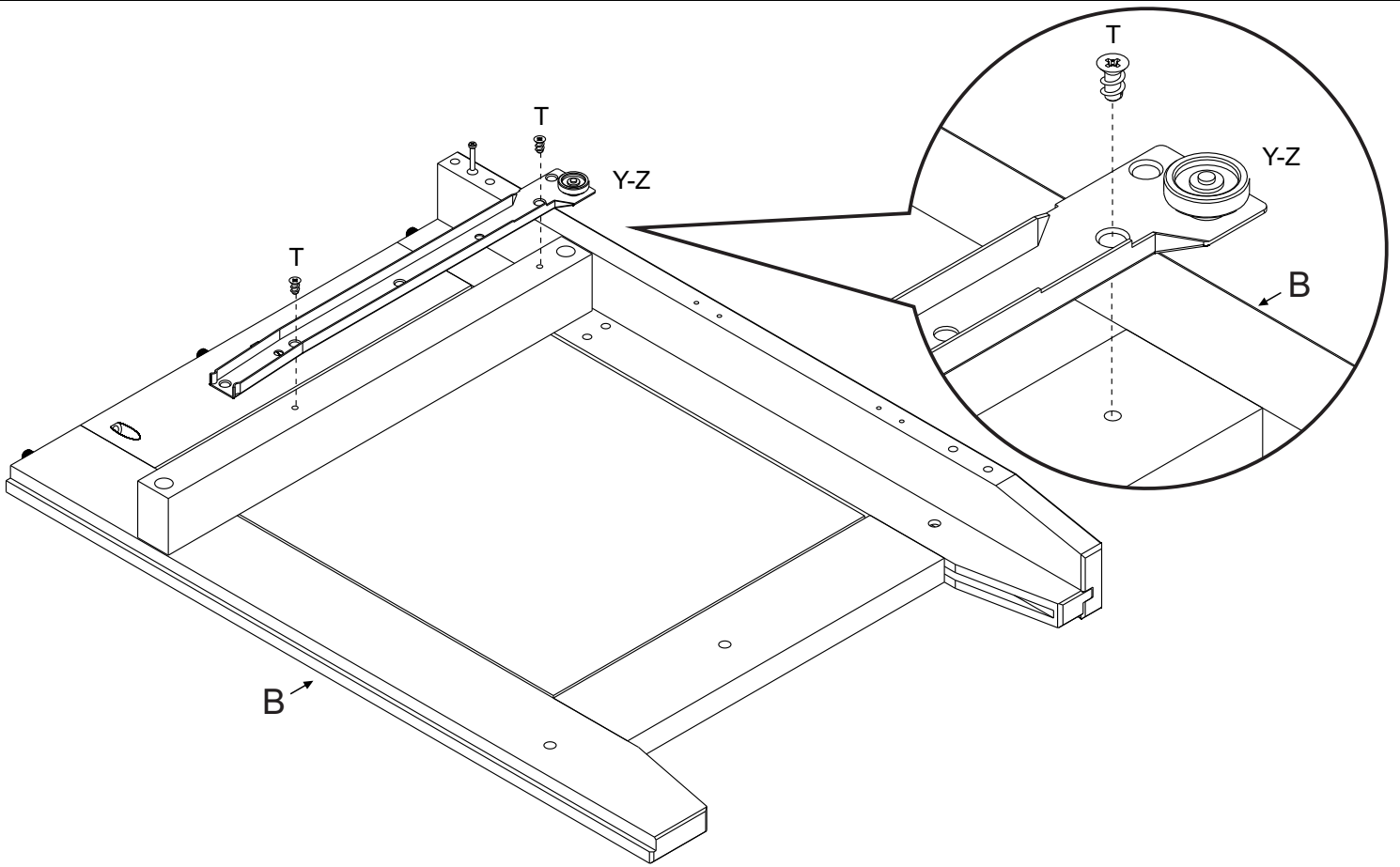
STEP 1



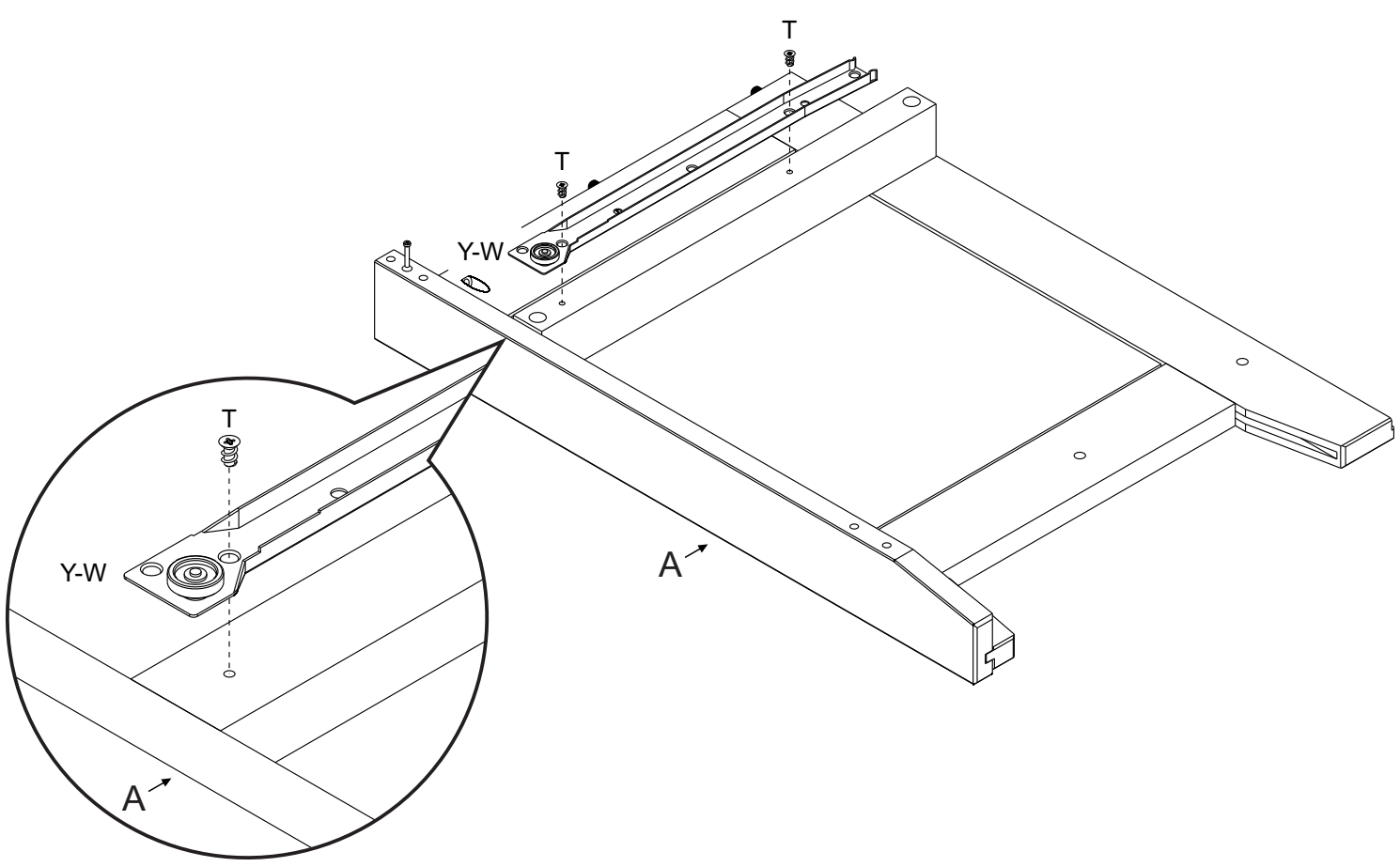
STEP 2



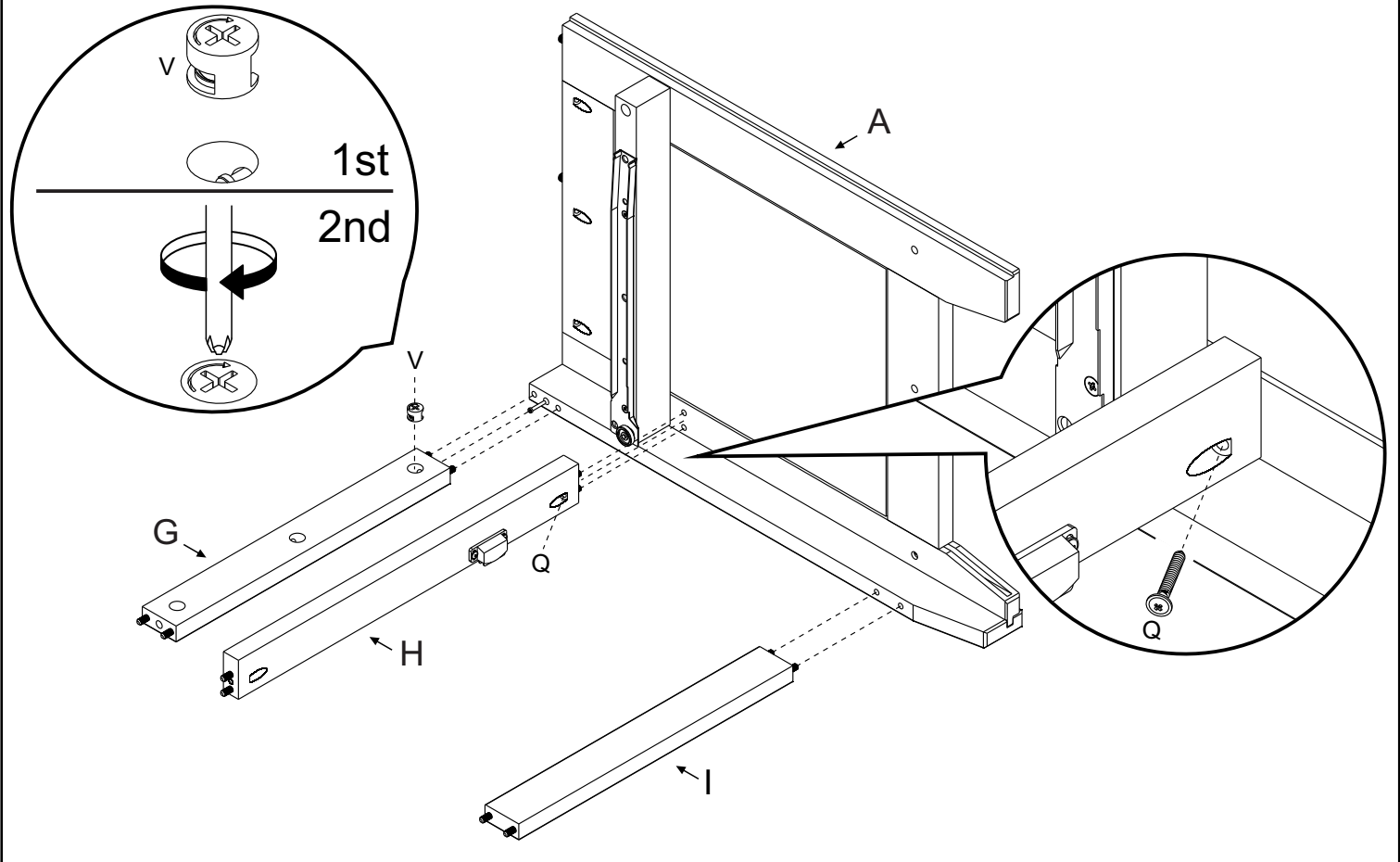
STEP 3



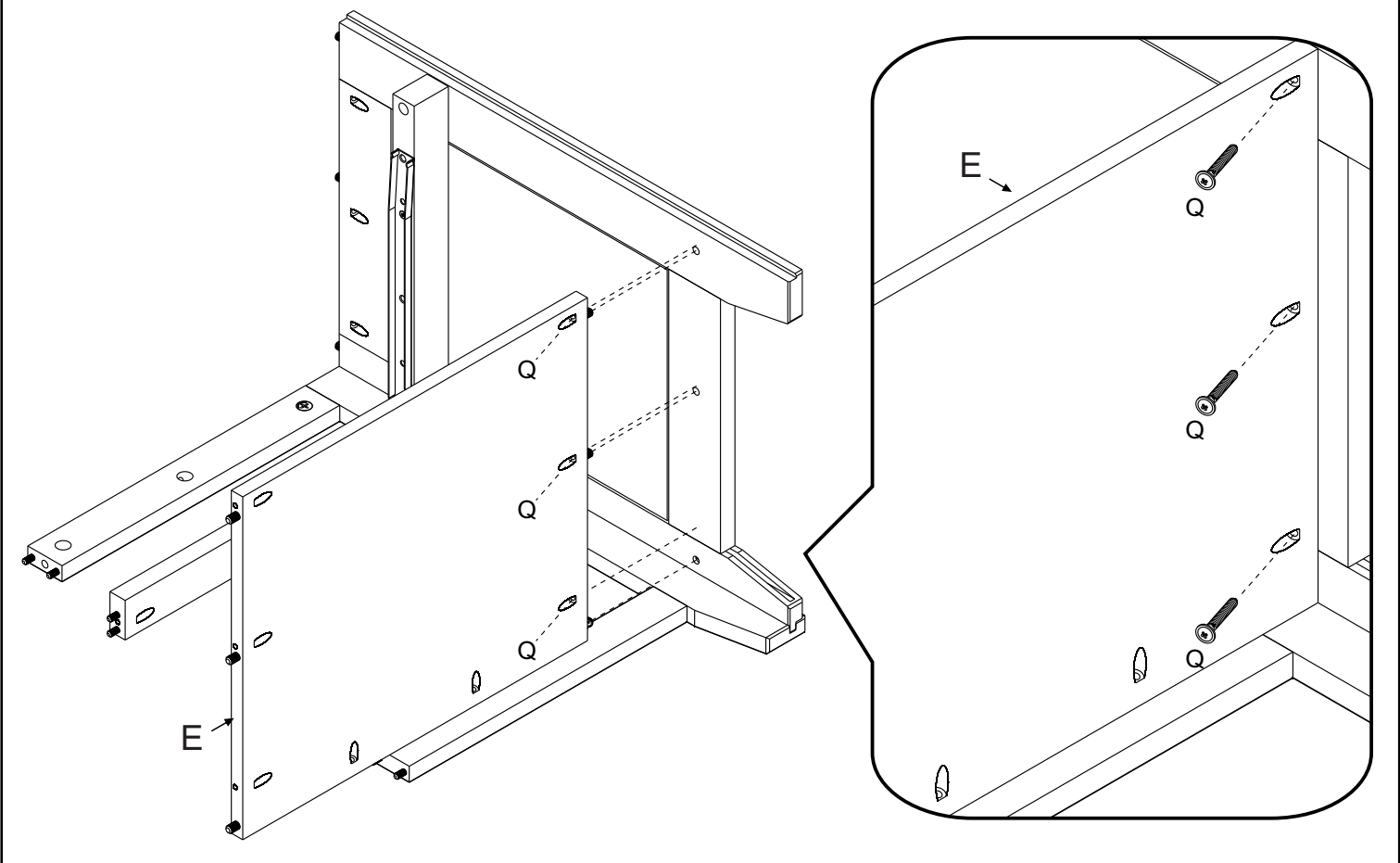
STEP 4



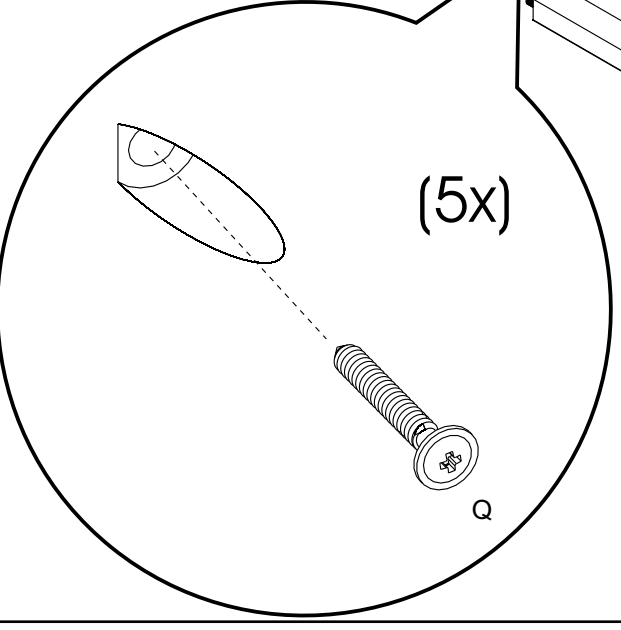
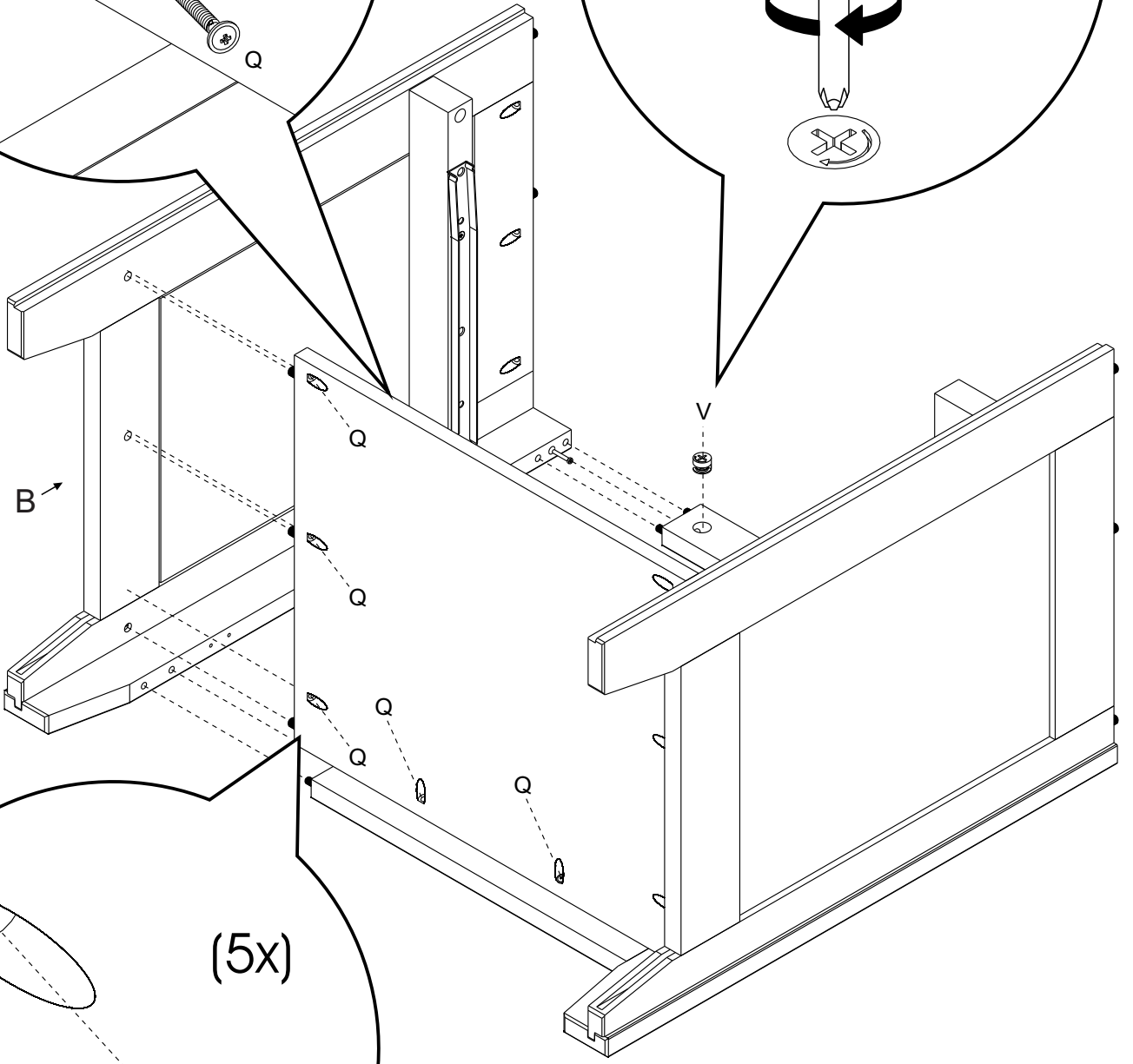
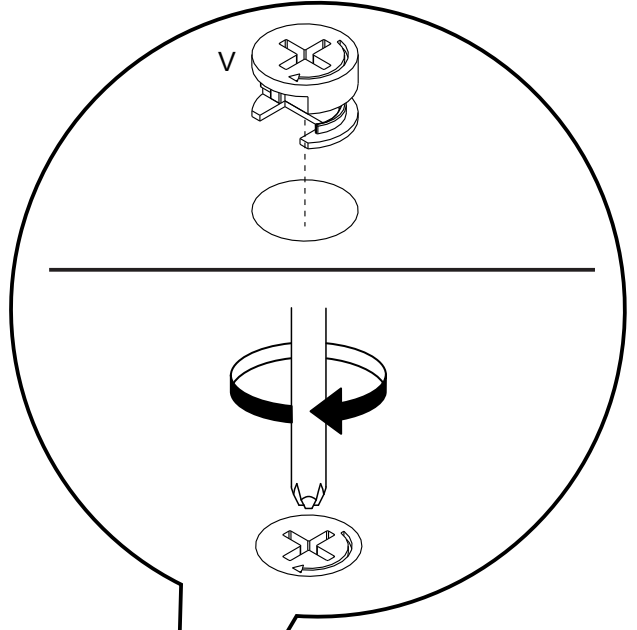
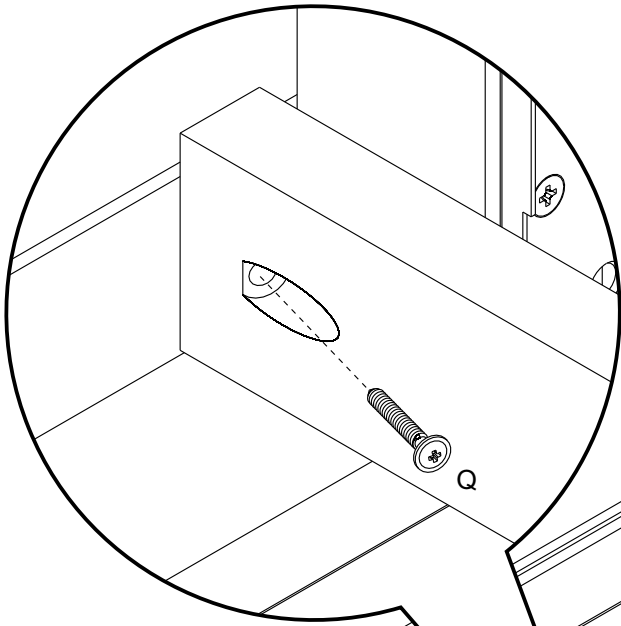
STEP 5



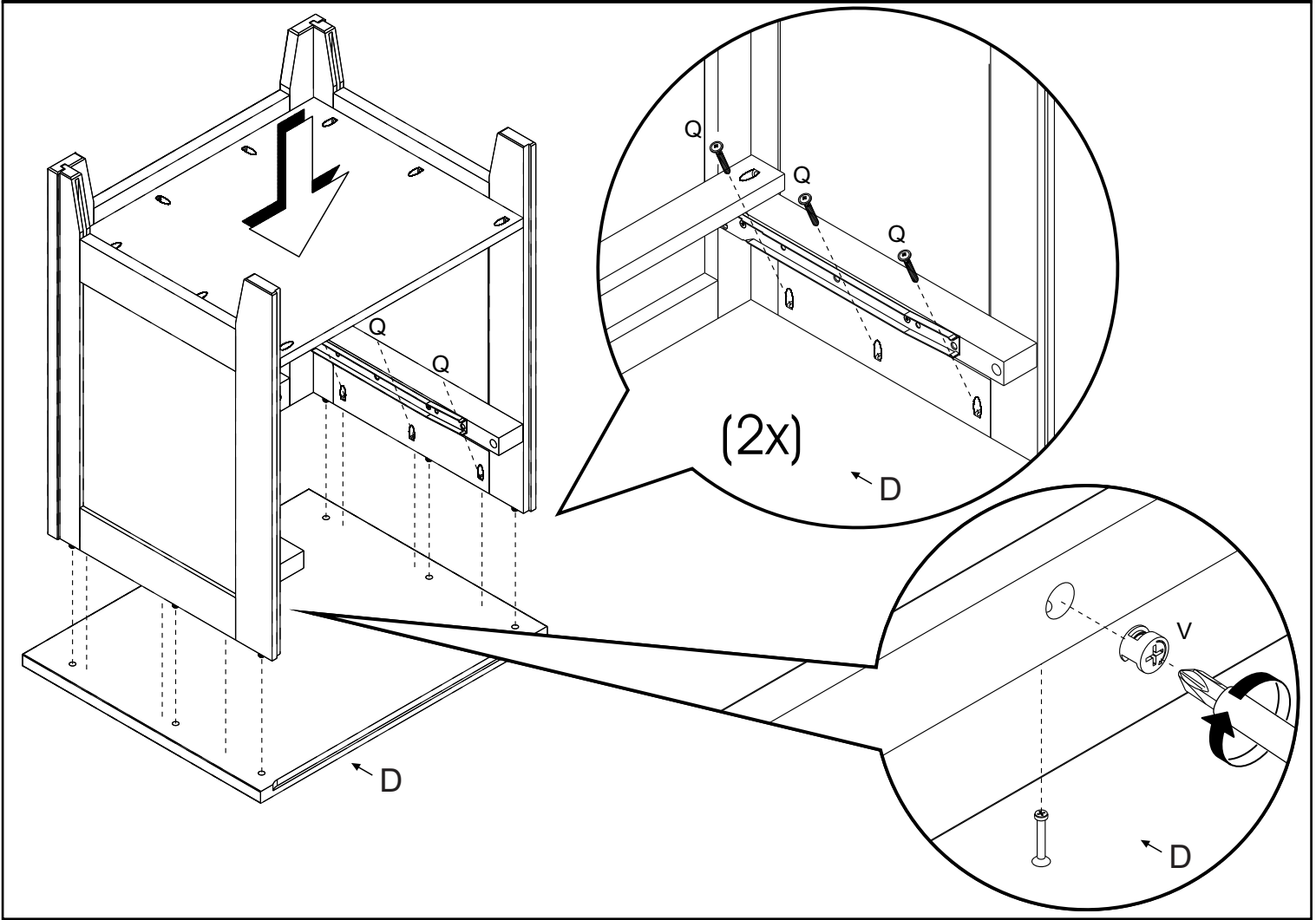
STEP 6



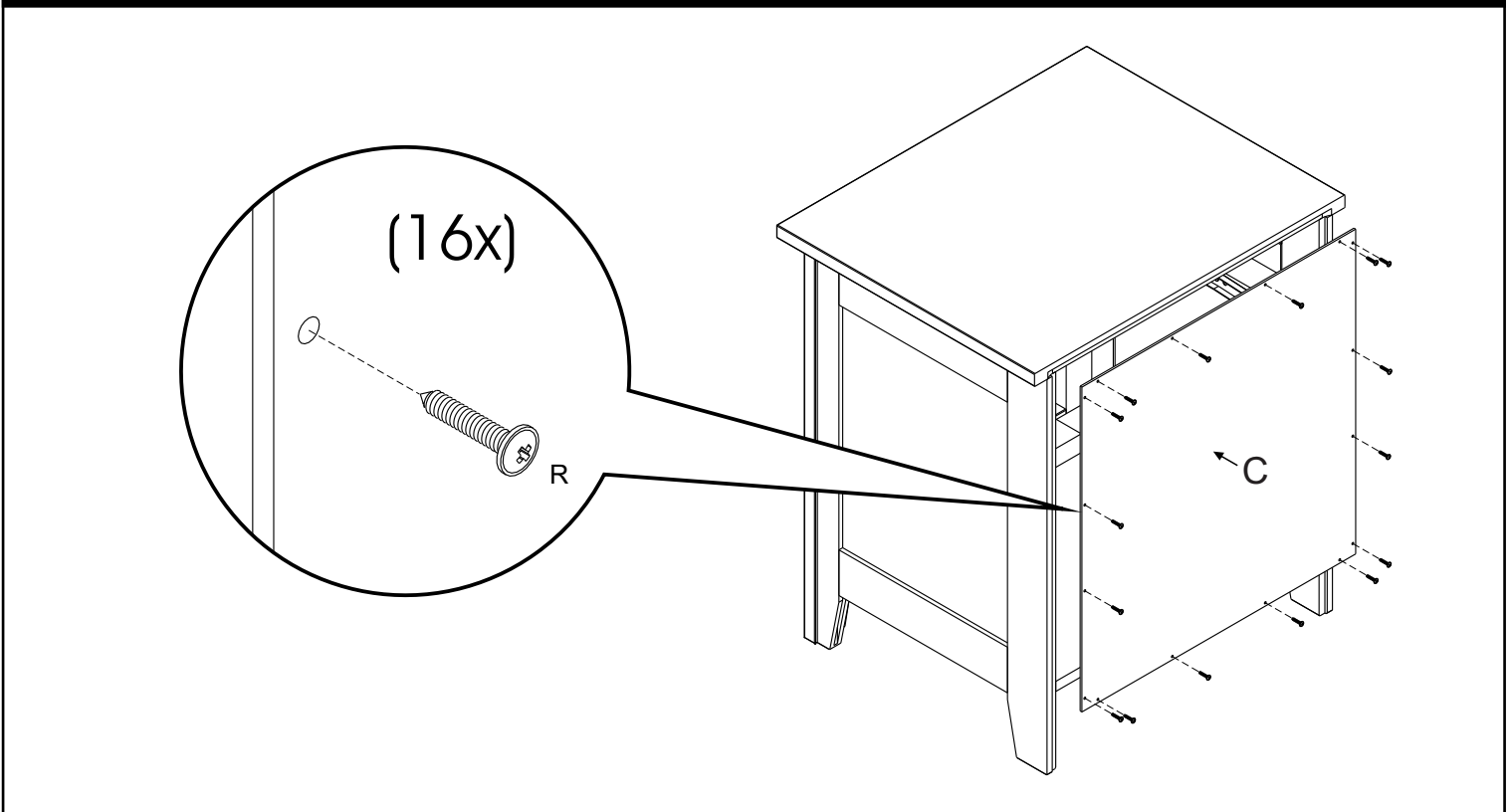
STEP 7



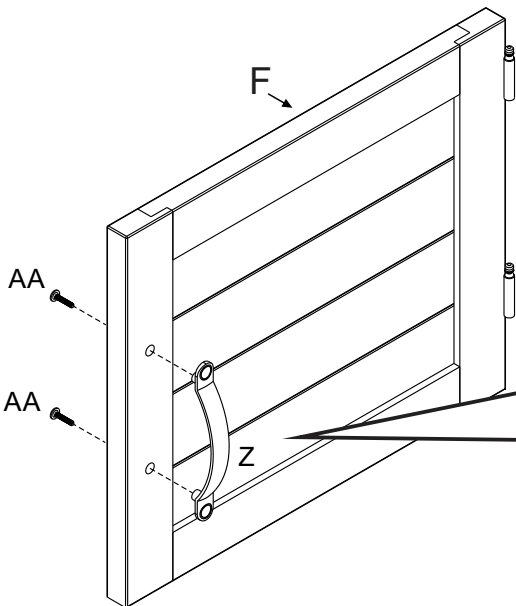
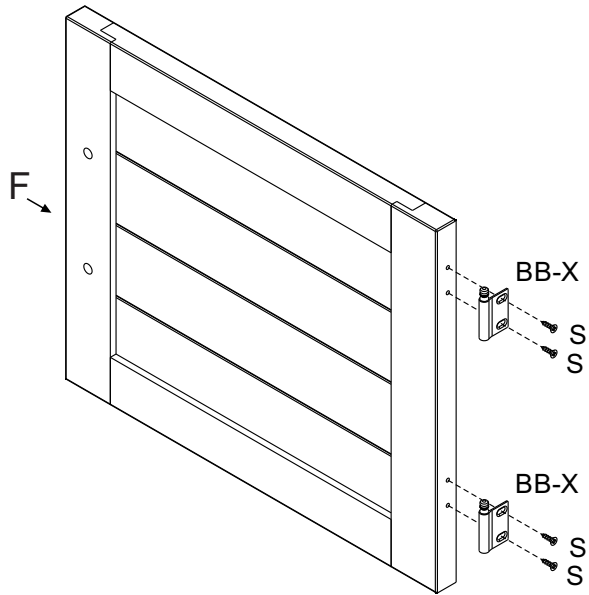
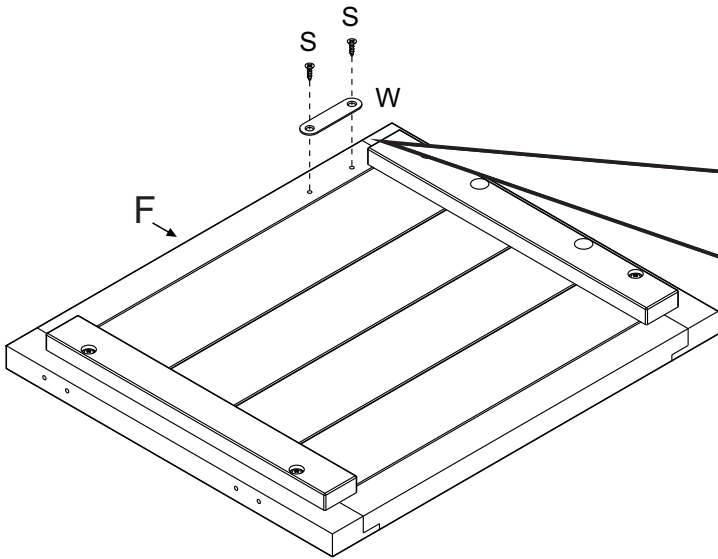
STEP 8



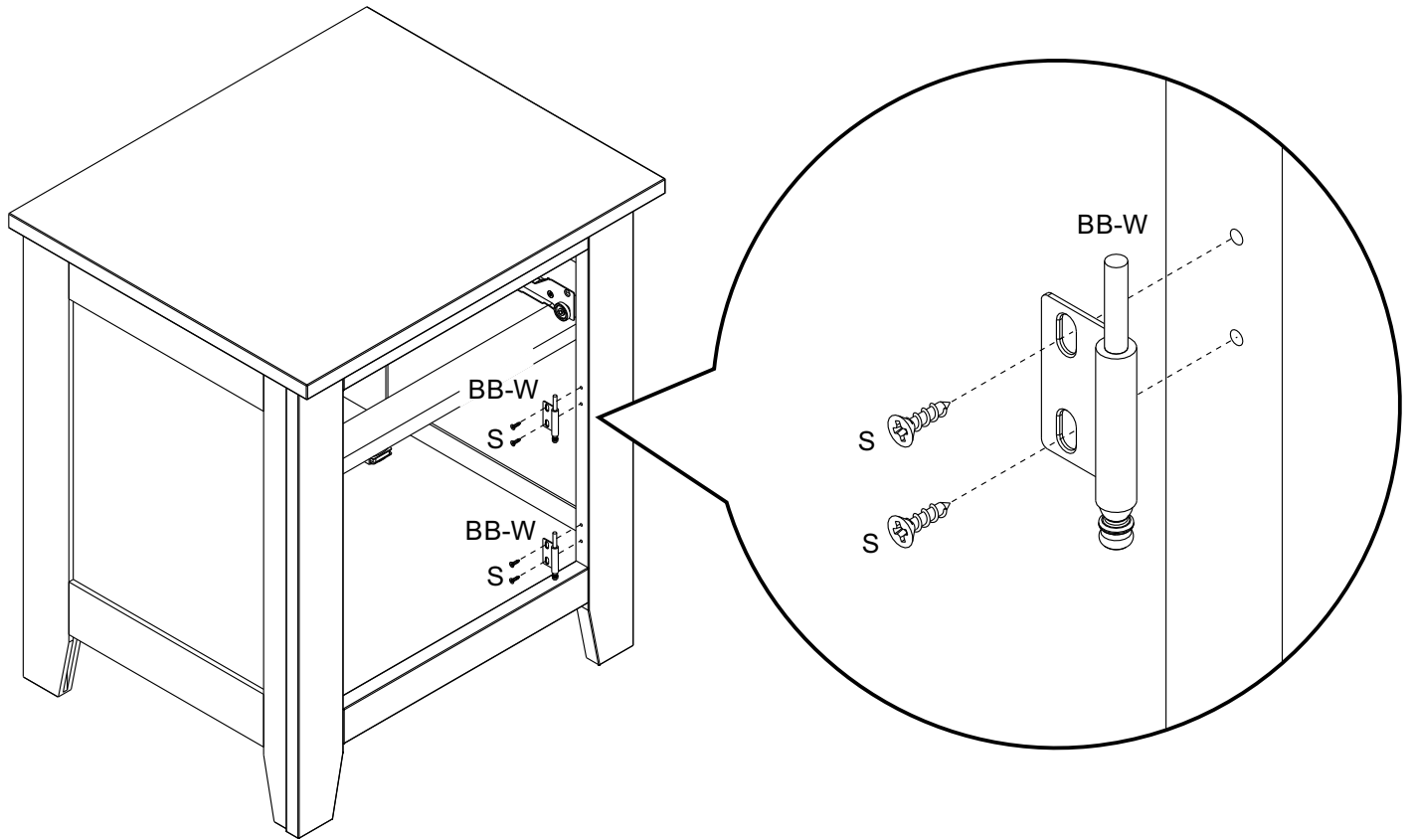
STEP 9



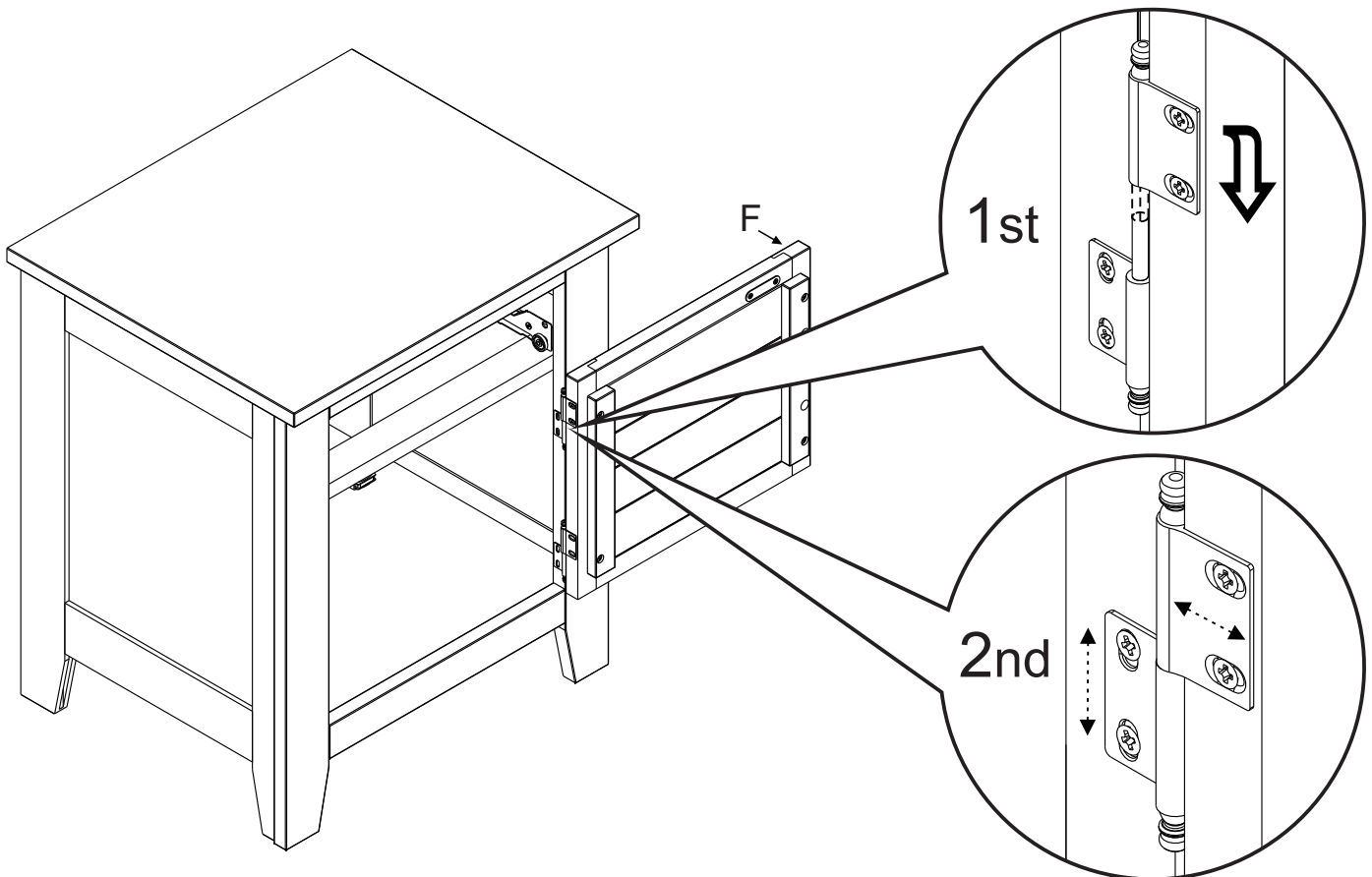
STEP 10



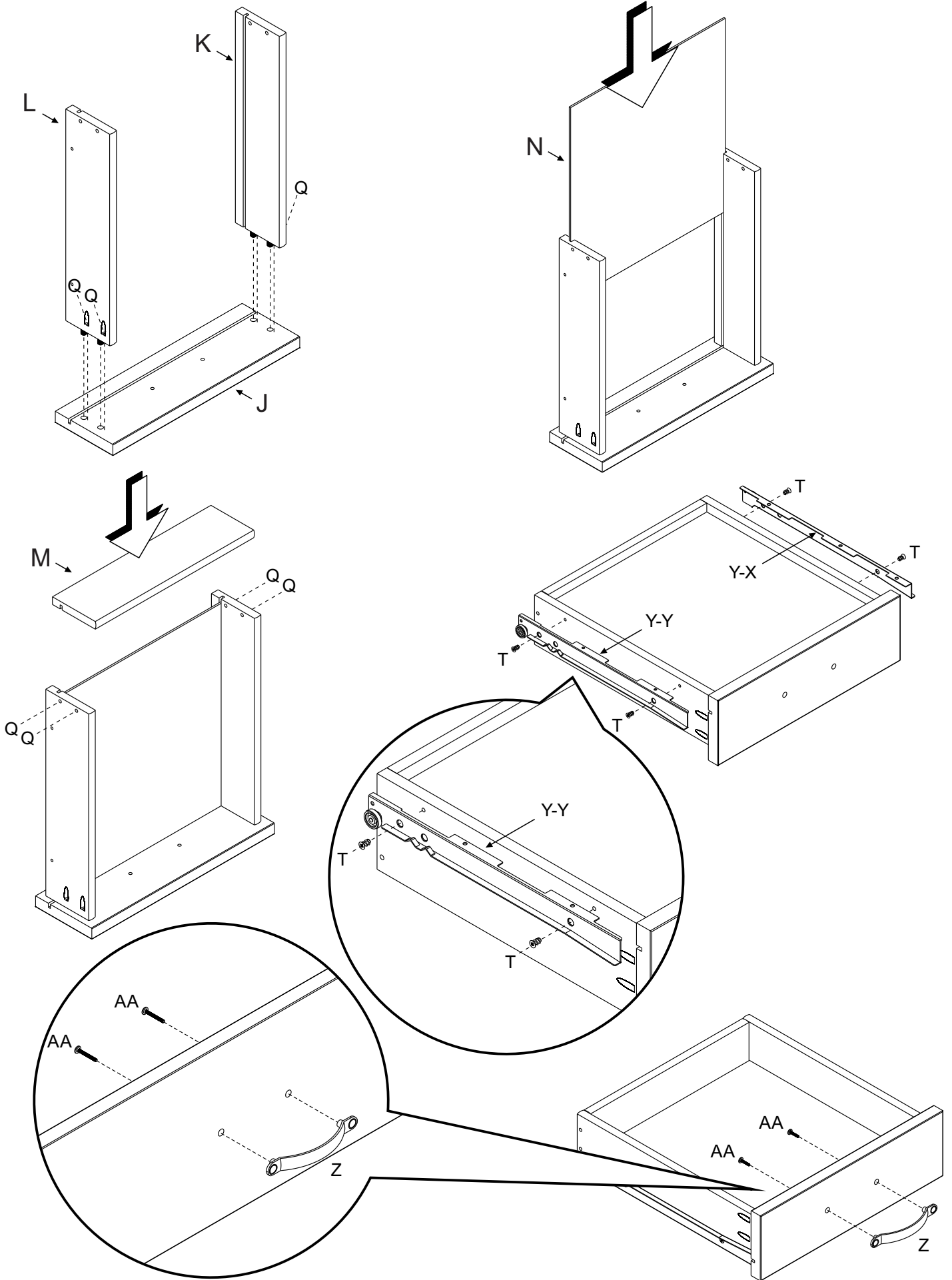
STEP 11



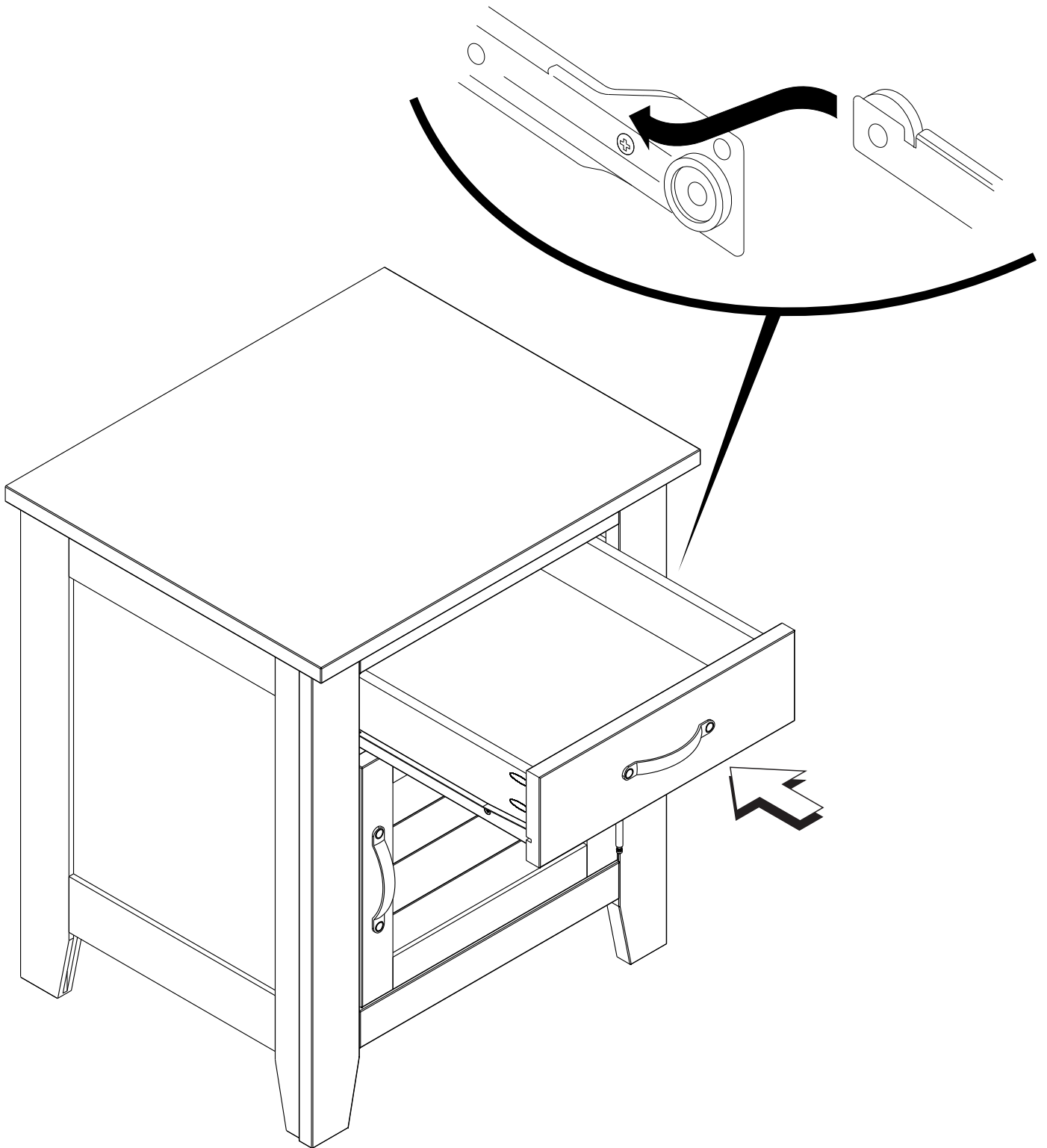
STEP 12



STEP 13



STEP 14



Maintenance Cleaning and Storage

MAINTENANCE:

Upon completion of the assembly, check to make sure all screws, bolts and connectors are tightened and secure.

Periodically check furniture for damaged hardware, loose joints, missing parts or sharp edges before and after assembly and frequently during use.

DO NOT use furniture if any parts are missing or broken.

If any parts are missing, broken or you need assistance **DO NOT** return furniture to your dealer.

Call Foundations at 330.722.5033 and include model identification numbers recorded on page 1.

DO NOT substitute parts.

CLEANING:

Mix a mild solution of gentle dishwashing soap and water, apply to surface using a clean cloth lightly dampened in the solution. Rinse well with clear water using a soft clean cloth, then dry all surfaces with a soft dry cloth.

DO NOT use abrasive cleaners or any cleaners with harsh chemicals that would contact a child's skin, scouring pads, steel wool or coarse rags. This furniture should be treated the same as any fine furniture.

STORAGE:

When storing furniture use caution as extreme temperature or humidity changes could be harmful. Use caution when a vaporizer is in use. Always aim vapor stream away from furniture as well as away from any wood furniture item.

After completing the assembly the user is advised to read and be aware of

ALL WARNINGS, CAUTIONS, CLEANING, STORAGE USE AND MAINTENANCE. Please store the complete set of assembly directions for future referral.