

Forte Double Dresser

Model Covered: F04309

KEEP INSTRUCTIONS FOR FUTURE USE.

**FOR CUSTOMER SERVICE CALL
 330-723-0599. DO NOT CALL
 RETAILER OR RESELLER FOR SERVICE
 AS THEY ARE NOT AUTHORIZED TO
 RESOLVE ANY SERVICE ISSUES.**

**FOR WARRANTY AND FEDERAL SAFETY
 STANDARD COMPLIANCE CERTIFICATES,
 PLEASE VISIT OUR WEBSITE AT
www.childcraftbaby.com**

ASSEMBLY ASSISTANCE

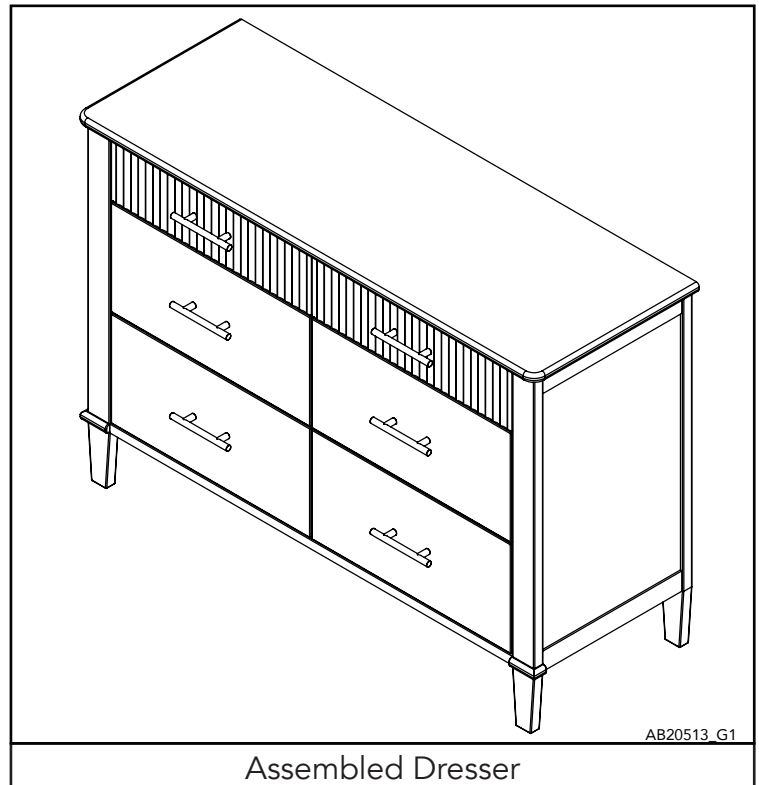
IMPORTANT: Retain for future reference and read carefully.

Child Craft strives for the highest quality in our products but occasionally a missing part or problem can occur during assembly.

If any parts are missing or broken or you need assistance with assembly, DO NOT return the product to your dealer. Go to our website at www.childcraftbaby.com or call Child Craft for assistance at 1-330-723-0599 (Monday through Friday, 9:00 a.m.– 4:00 p.m. Eastern Time). Please have the model number and manufacture date available when you call or write us at:
 Child Craft, 5216 Portside Dr., Medina, OH 44256

ASSEMBLY INSTRUCTIONS

- Adult assembly required.
- Read all instructions BEFORE assembly and USE of product.
- Unpack carton, remove packing materials, including polybag. Identify and check all parts.



Record the information for your product here:

Model number: _____

Manufacture date: _____

PO number: _____

PARTS LIST

Part Description	Part Number	Qty.
A. Left Side	23103174	1
B. Right Side	23103175	1
C. Center Partition	23103184	1
D. Bottom	23103189	1
E. Top	23103192	1
F. Front Connector Rail	23103193	1
G. Rear Connector Rail	23103194	1
H. Back Panel	23103167	2
I. Support Block	23103196	1
J. Drawer Support Rail	23103151	6
K. Drawer Bottom	23103152	6
L. Top Drawer Back	23103153	2
M. Top Left Drawer - Left Side	23103155	1
N. Top Left Drawer - Right Side	23103156	1
O. Top Left Drawer Front	23103159	1
P. Bottom Drawer Back	23103161	4
Q. Bottom Drawer - Left Side	23103163	4
R. Bottom Drawer - Right Side	23103164	4
S. Bottom Right Drawer Front	23103166	2
T. Top Right Drawer Front	23103197	1
U. Top Right Drawer - Left Side	23103199	1
V. Top Right Drawer - Right Side	23103200	1
W. Bottom Left Drawer Front	23103198	2
AA. Allen Head Bolt 50mm Long	11200879	6
BB. Allen Head Bolt 30mm Long	11201220	10
CC. Flat Head Screw	11201385	62
DD. Wood Screw	11201451	36
EE. Dowel	11201360	18
FF. Drawer Pull	11201563	6
GG. Screw	11201436	12
HH. Safety Bracket Kit	11201229	1
II. Allen Wrench	11201223	1
JJ. Half Moon Connector	11201222	2

PREPARATION

Carefully remove and lay out all hardware and parts. Check quantities and match the parts list. Construct furniture on an even flat floor.

Note: During the assembly process whenever using screws or bolts, check each with the parts list by letter and size identification. Place each screw or bolt on the diagram of the item which is sketched actual size. Be sure to use the proper size specified in the assembly directions. If any parts are missing or broken or you need assistance with assembly, **DO NOT return your product to the dealer.** Please identify the furniture by the model number identification stamped on the assembly when you call or write to Child Craft. Make note of all identification numbers and include this information with your request.

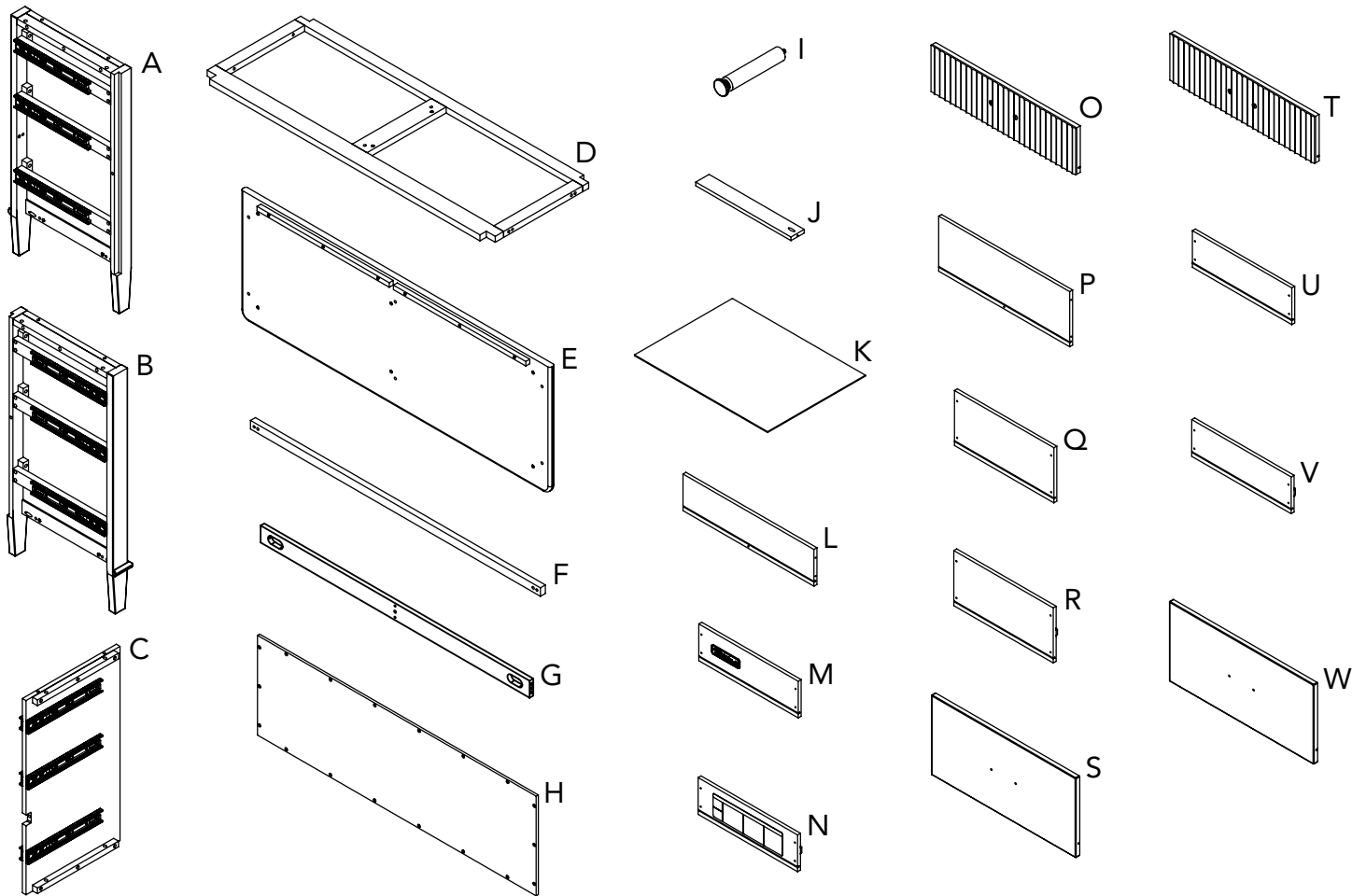
DO NOT Substitute Parts!

IMPORTANT NOTE: During the assembly process, it may be necessary to temporarily loosen fasteners installed in an earlier step to allow adjustments in proper alignment for other parts. Always remember to retighten securely after this process.

SUGGESTED TOOLS

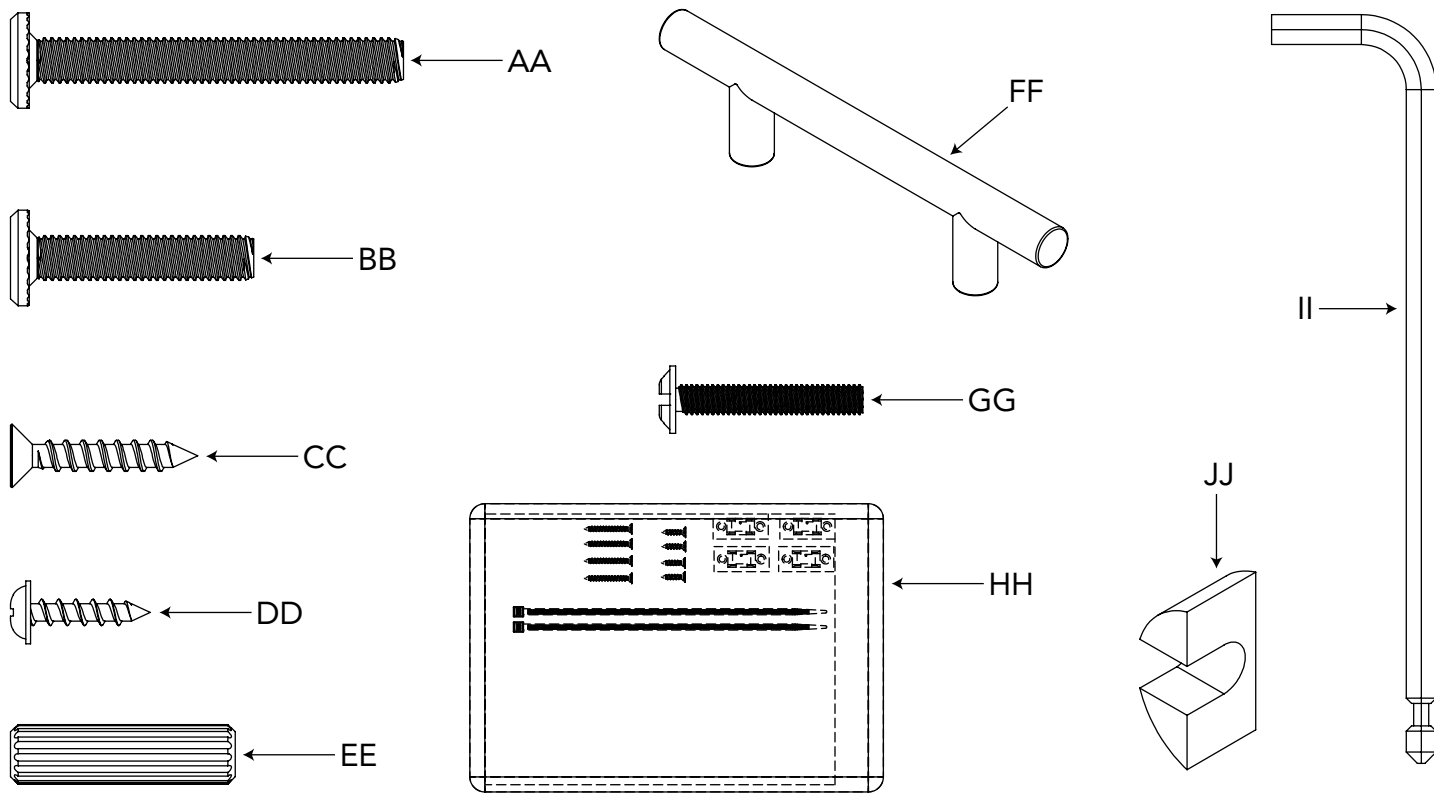
#2 Medium Straight Screwdriver

Furniture Parts



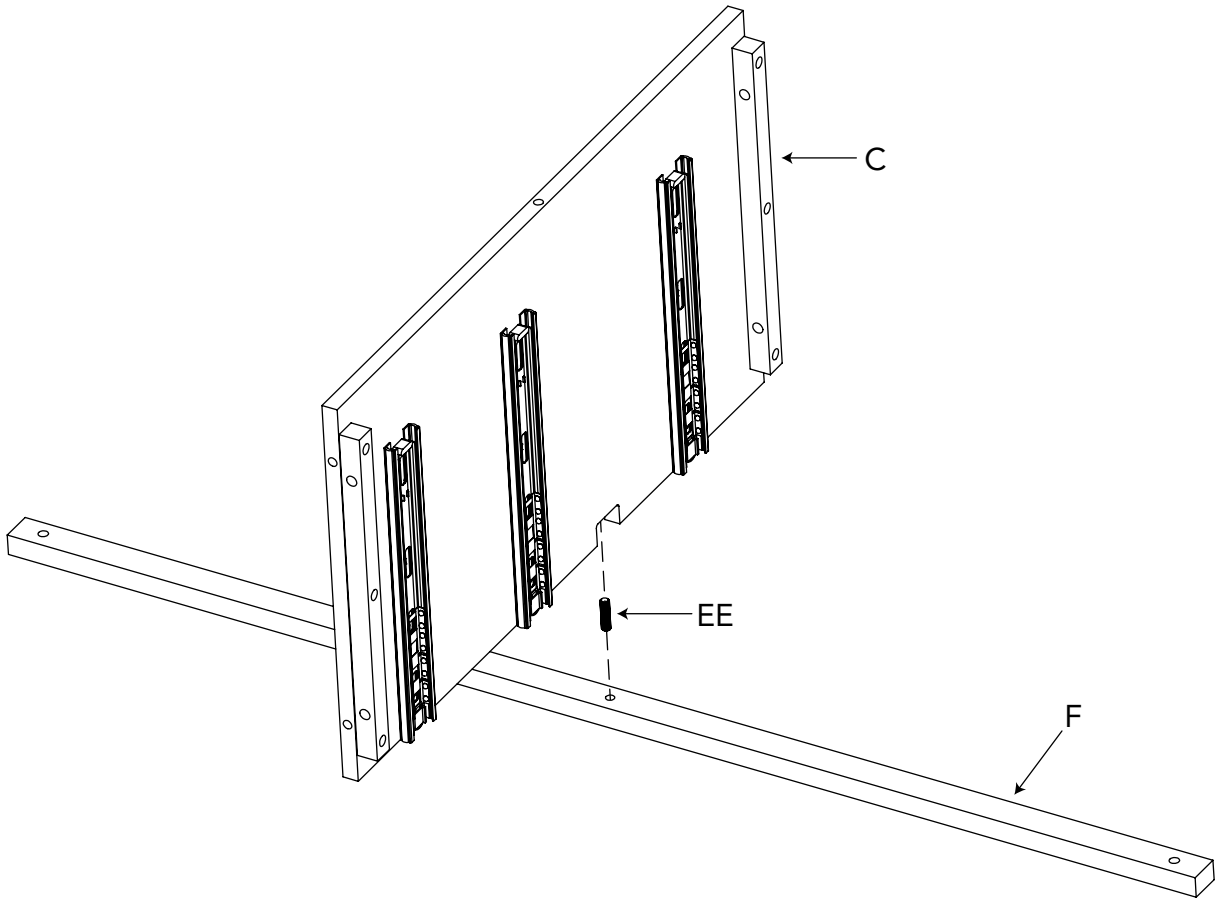
AB20513_G2

Hardware Package



AB20513_G3

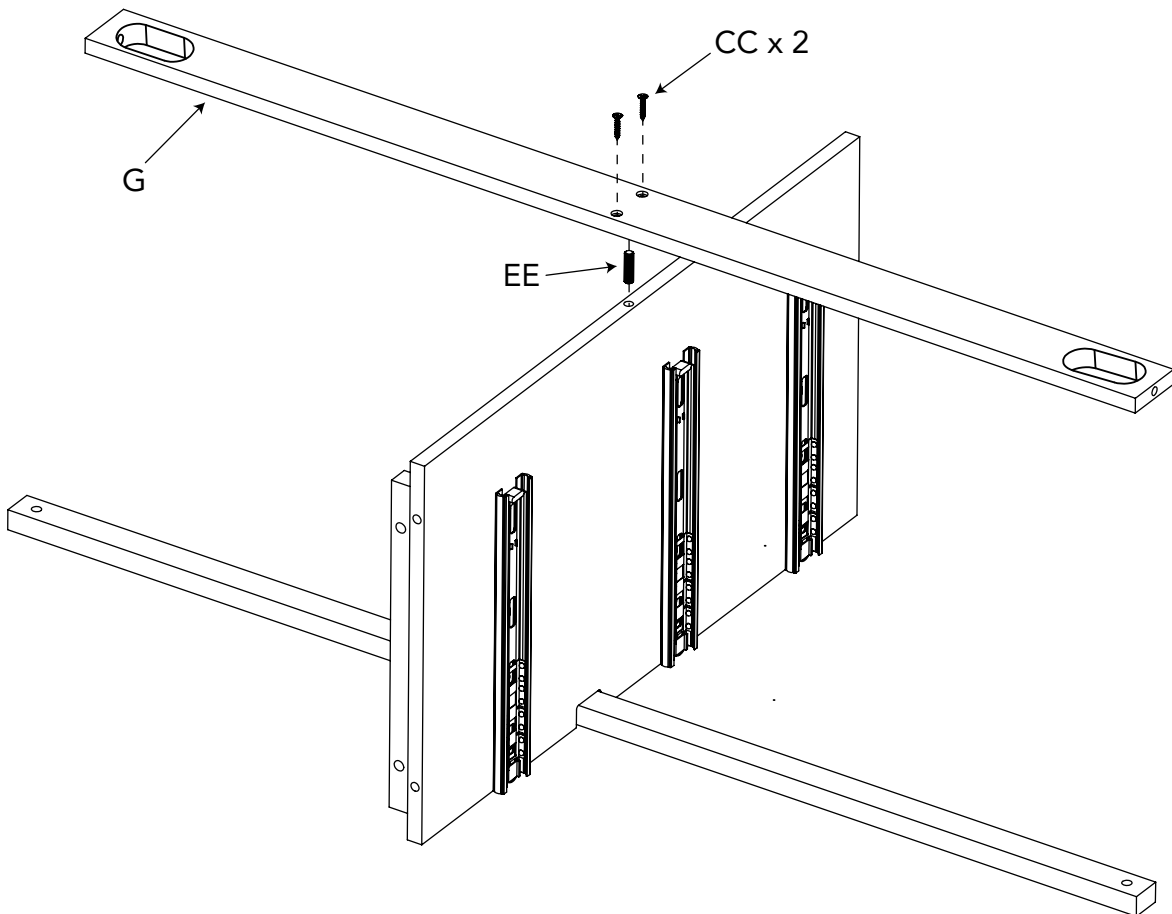
STEP 1



C x 1
F x 1
EE x 1

AB20513_G6

STEP 2

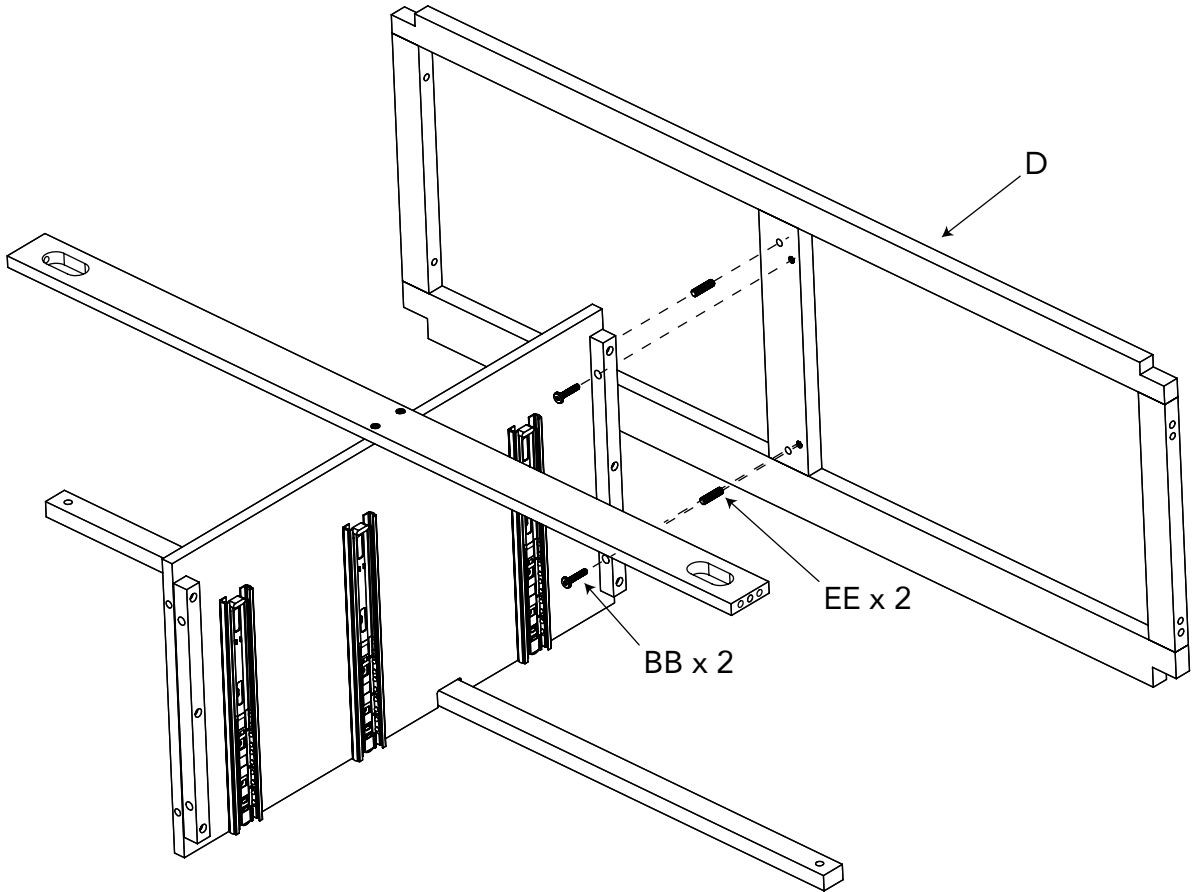


G x 1
CC x 2
EE x 1

AB20513_G7

STEP 3

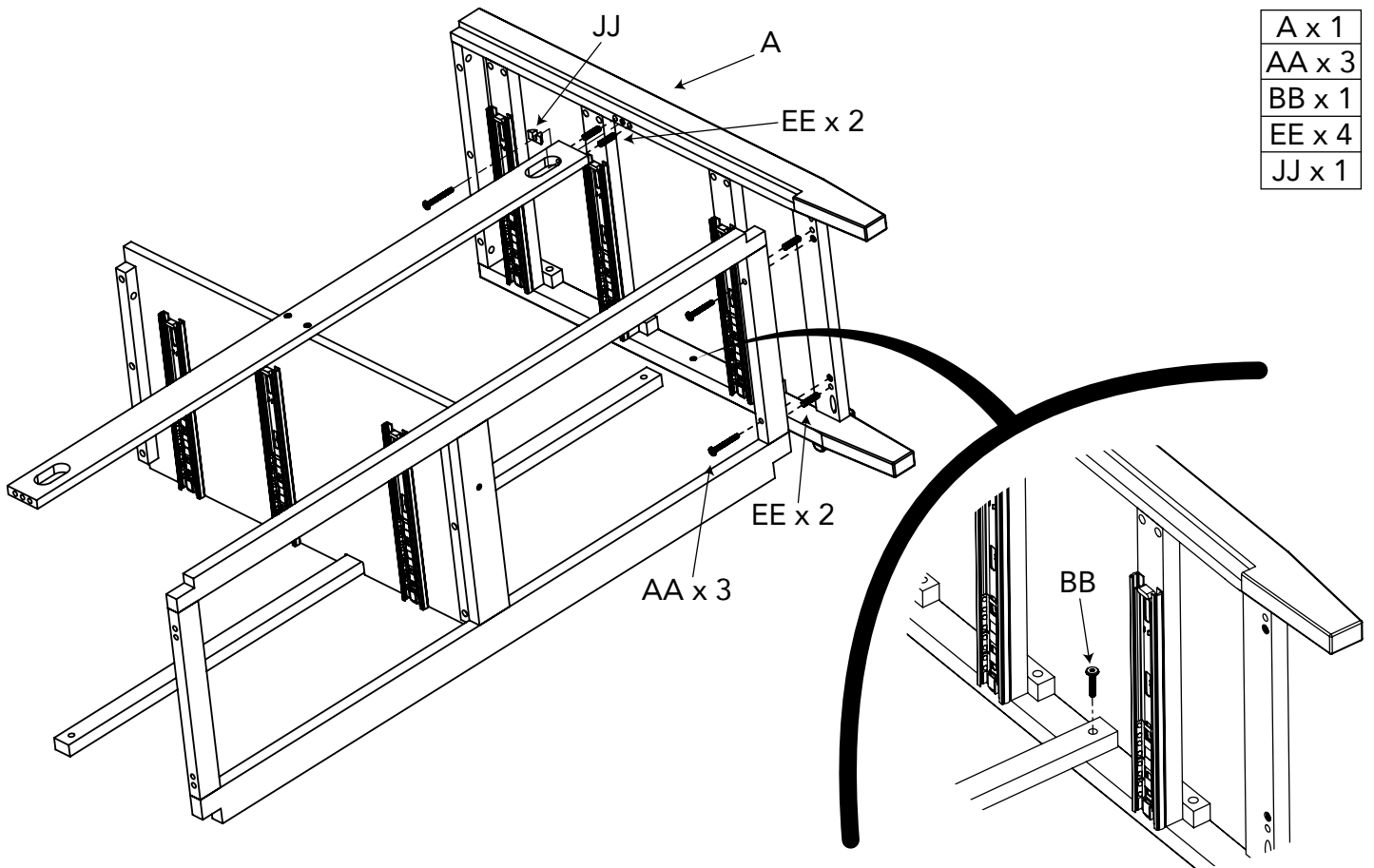
D x 1
BB x 2
EE x 2



AB20513_G29

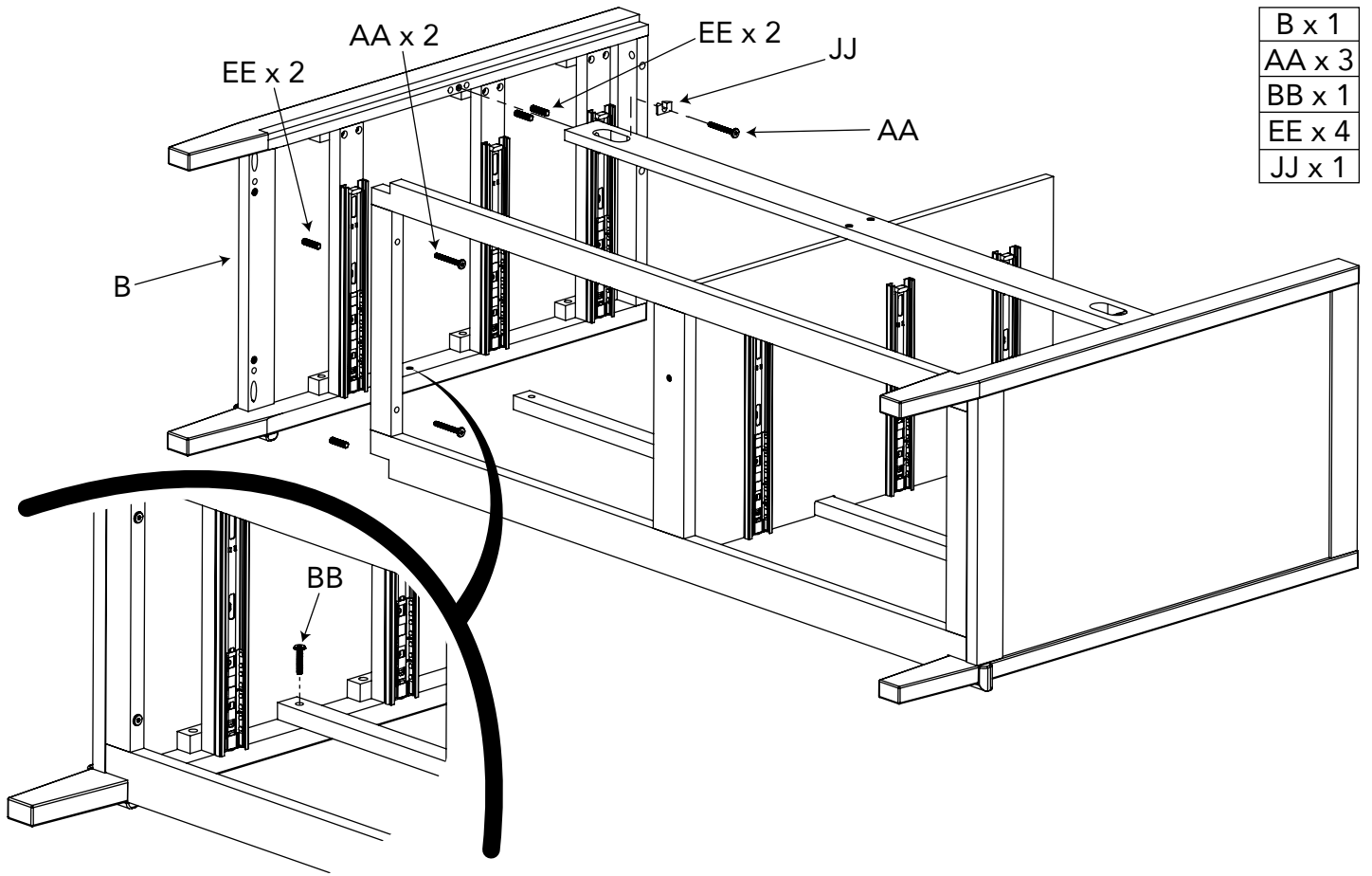
STEP 4

A x 1
AA x 3
BB x 1
EE x 4
JJ x 1



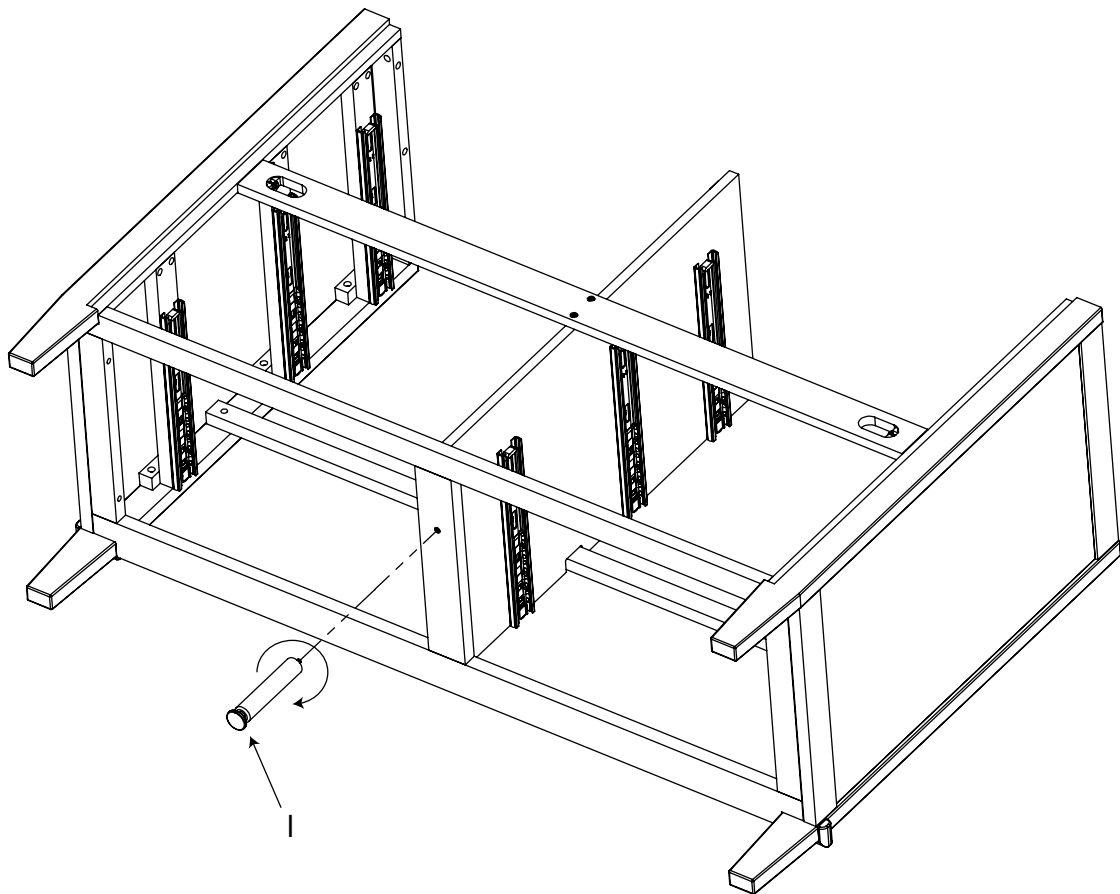
AB20513_G9

STEP 5



AB20513_G10

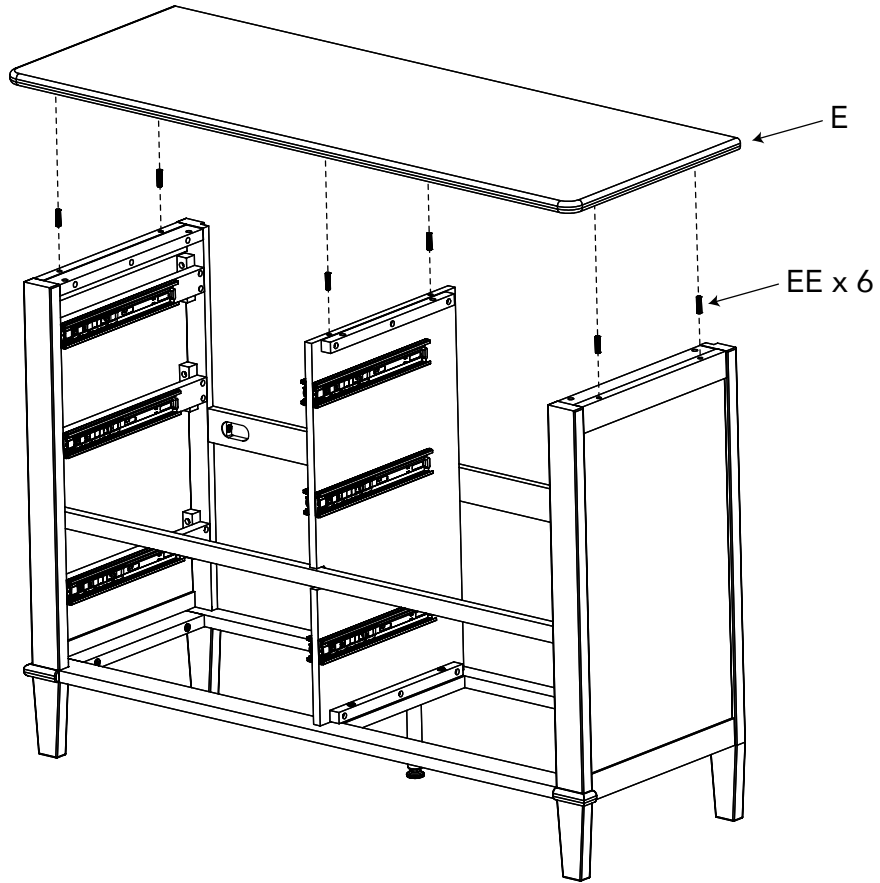
STEP 6



AB20513_G23

STEP 7

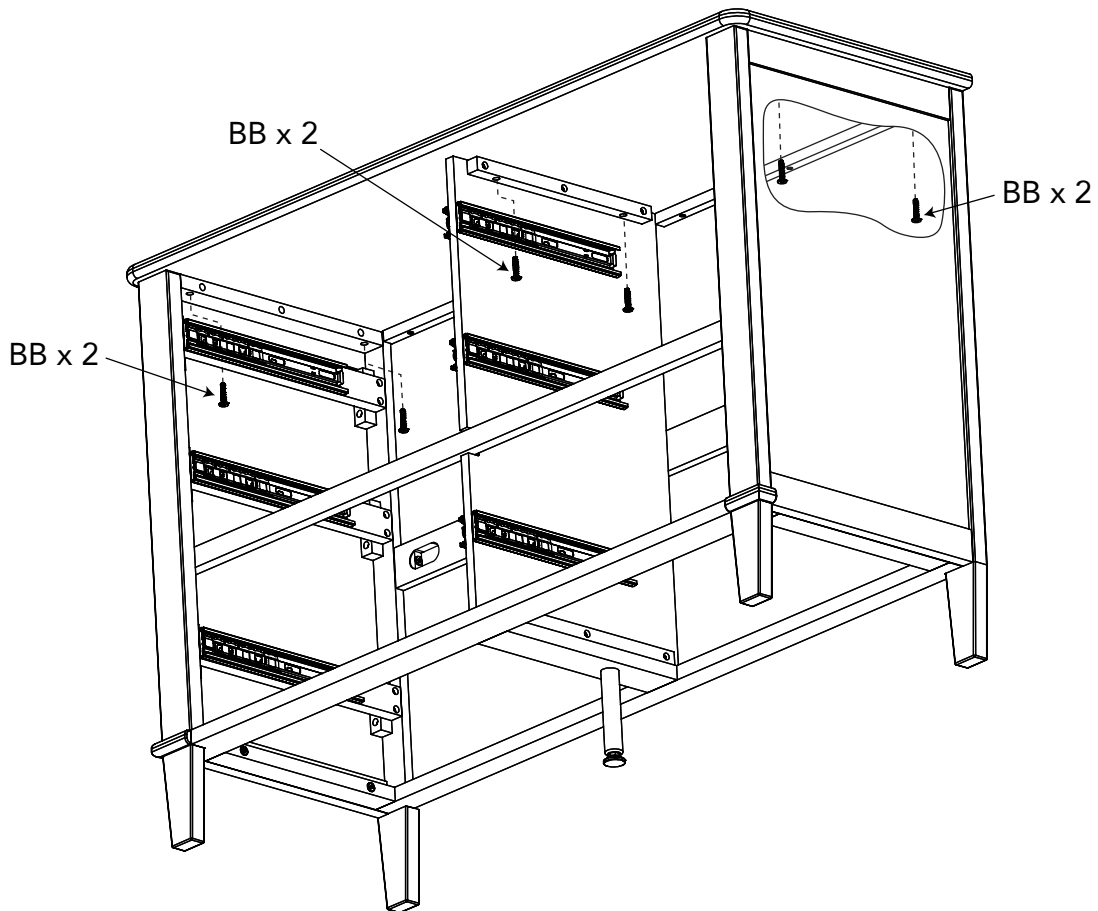
E x 1
EE x 6



AB20513_G26

STEP 8

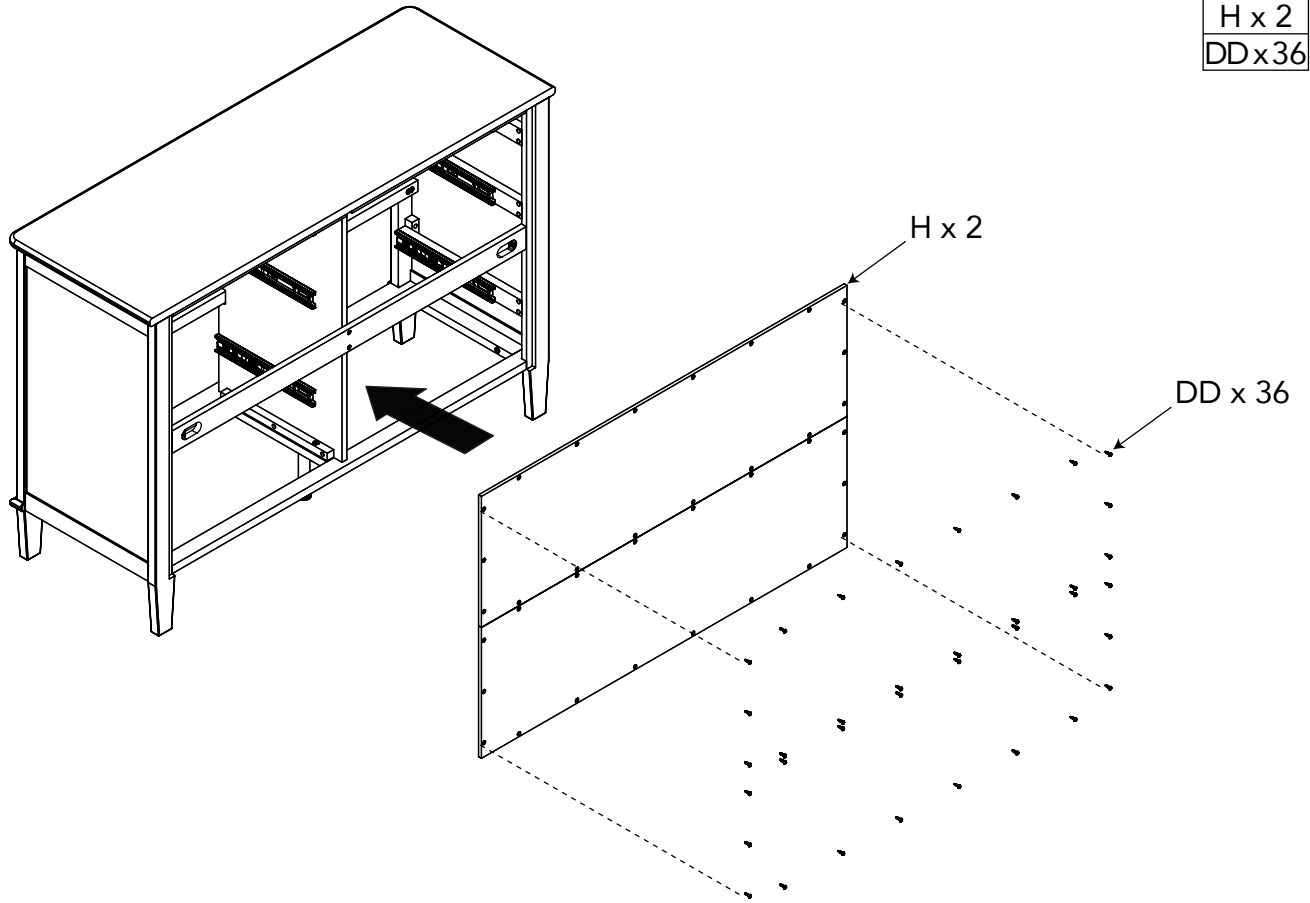
BB x 6



AB20513_G27

STEP 9

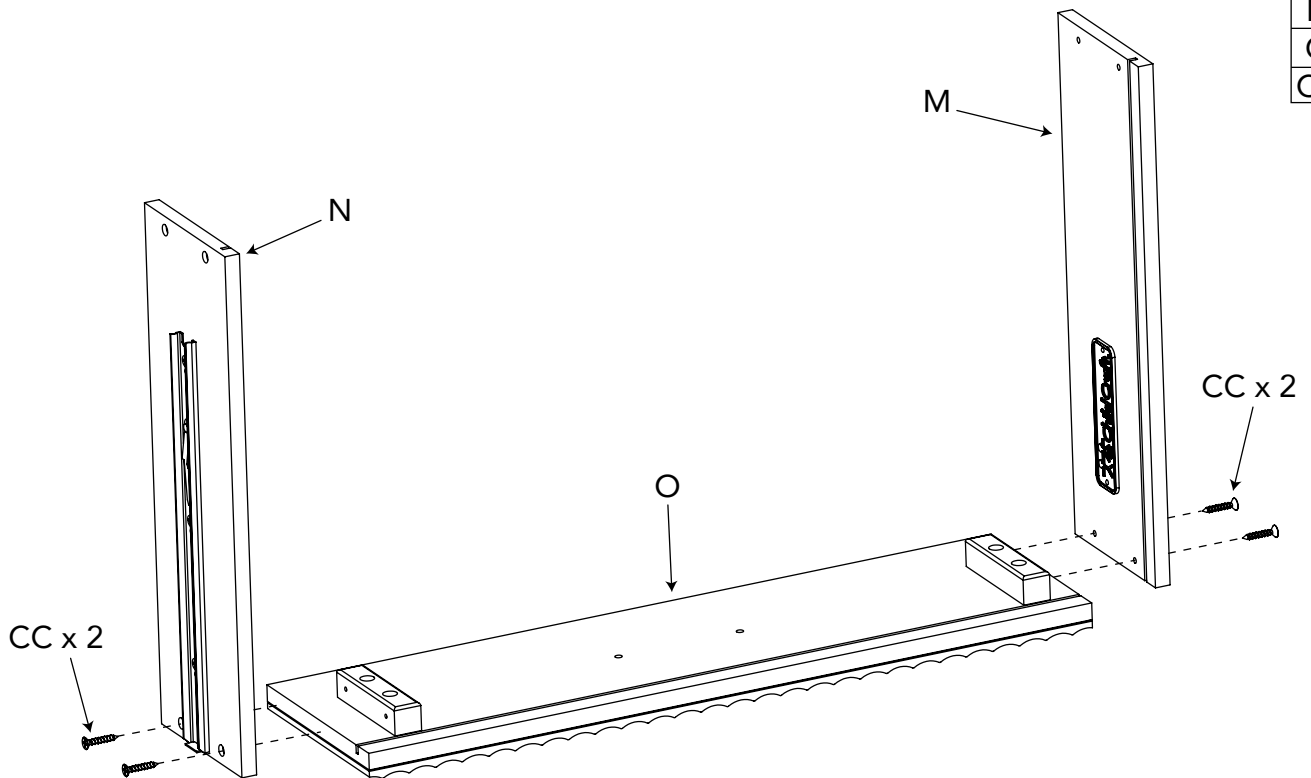
H x 2
DD x 36



AB20513_G28

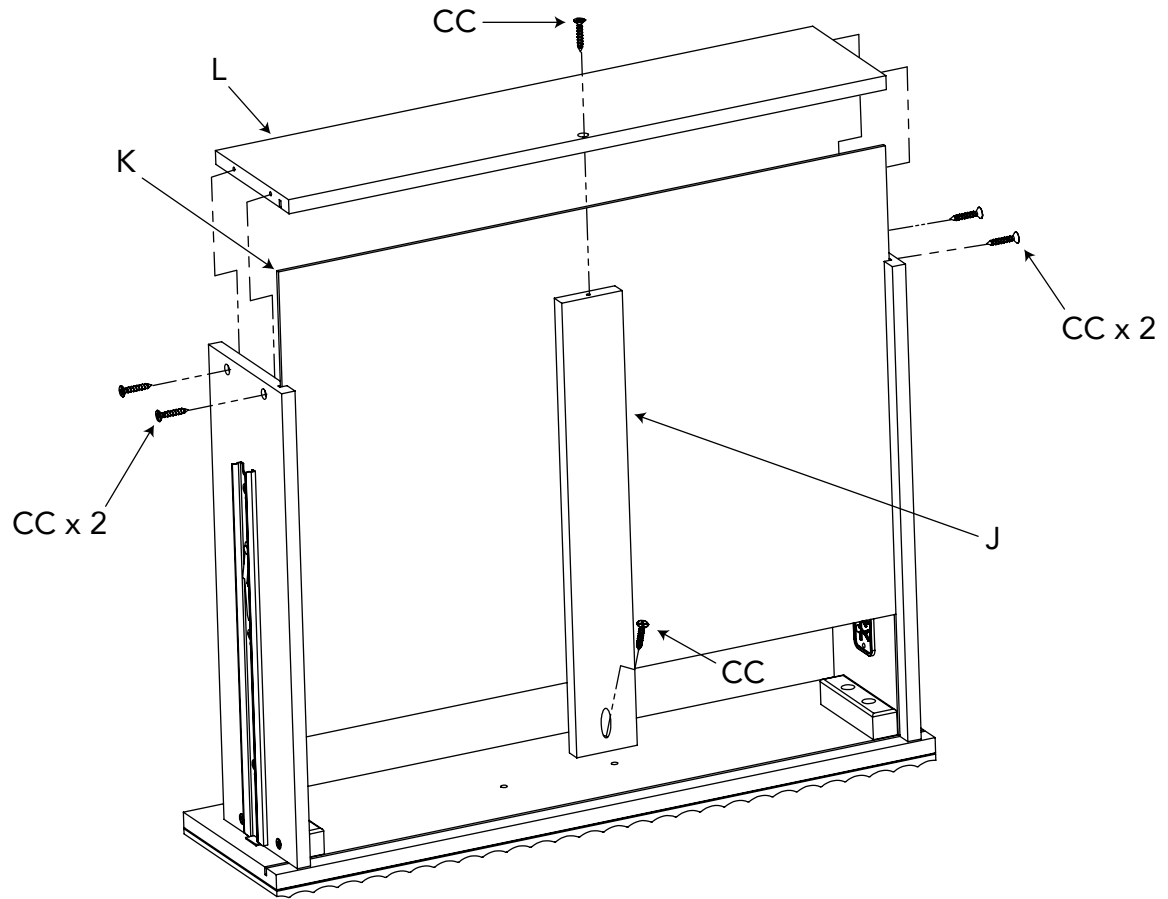
TOP LEFT DRAWER STEP 1

M x 1
N x 1
O x 1
CC x 4



AB20513_G11

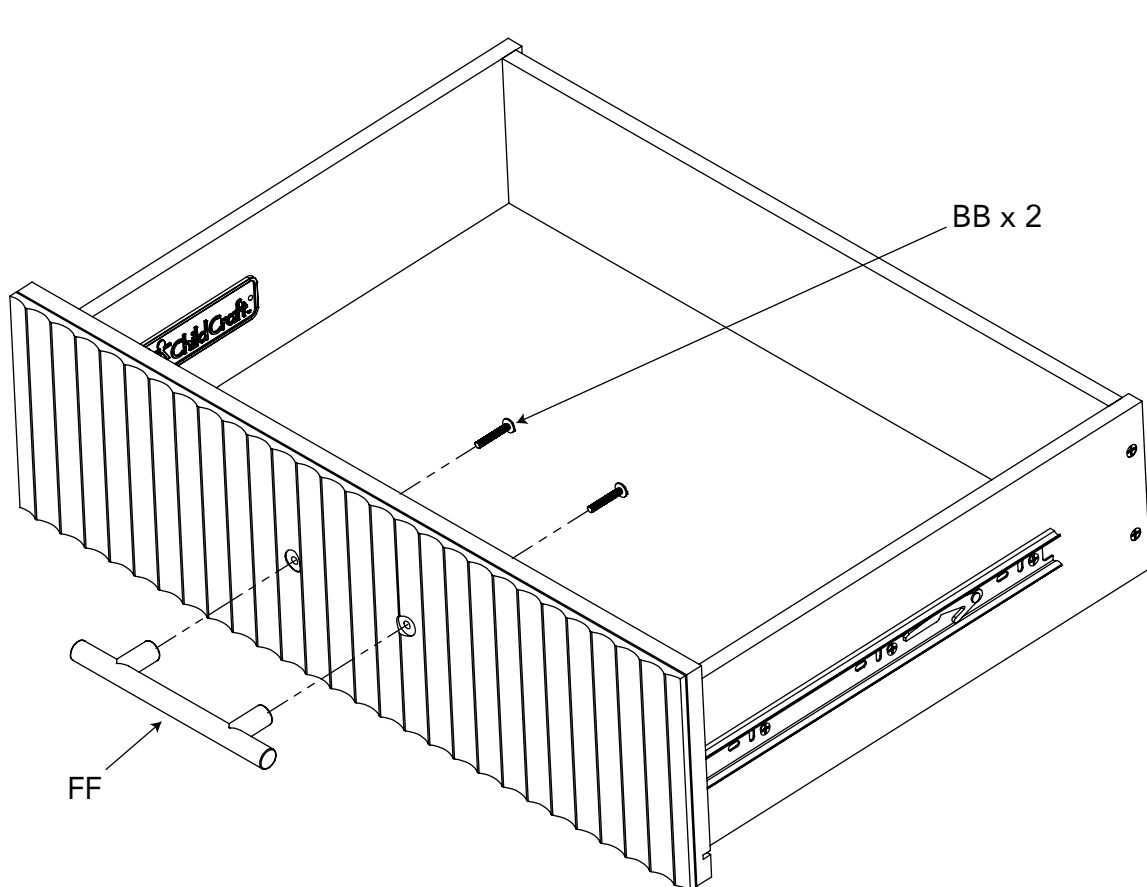
TOP LEFT DRAWER STEP 2



J x 1
K x 1
L x 1
CC x 6

AB20513_G12

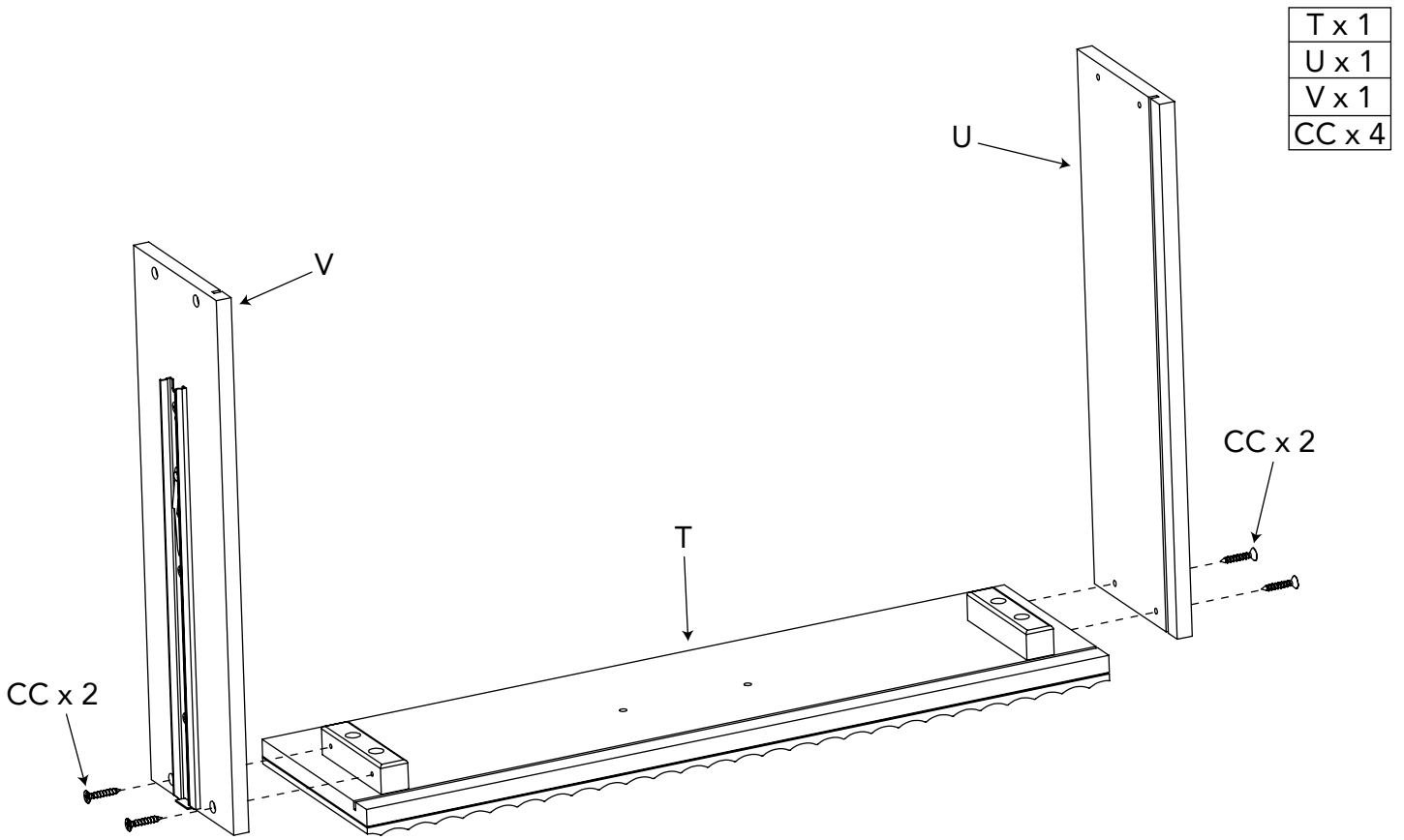
TOP LEFT DRAWER STEP 3



BB x 2
FF x 1

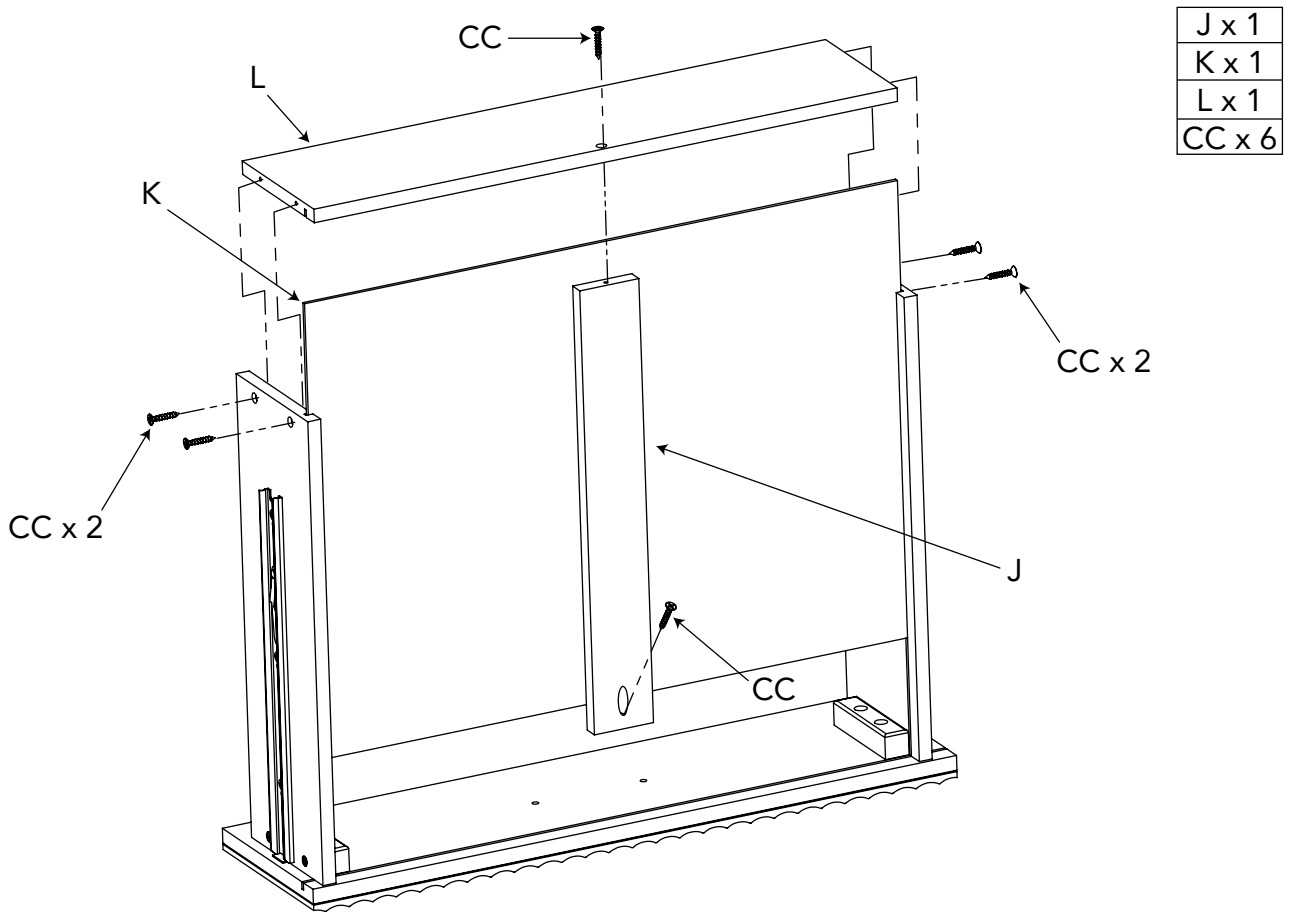
AB20513_G13

TOP RIGHT DRAWER STEP 1



AB20513_G14

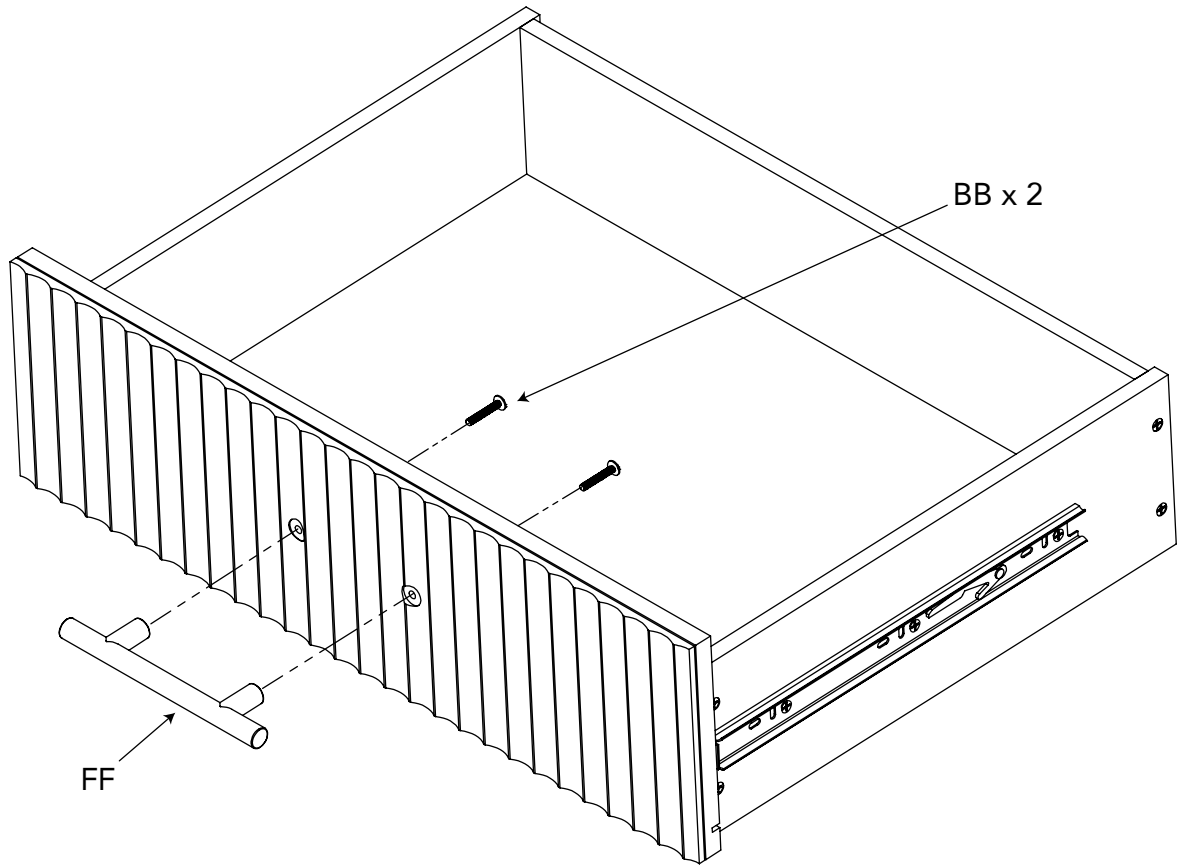
TOP RIGHT DRAWER STEP 2



AB20513_G15

TOP RIGHT DRAWER STEP 3

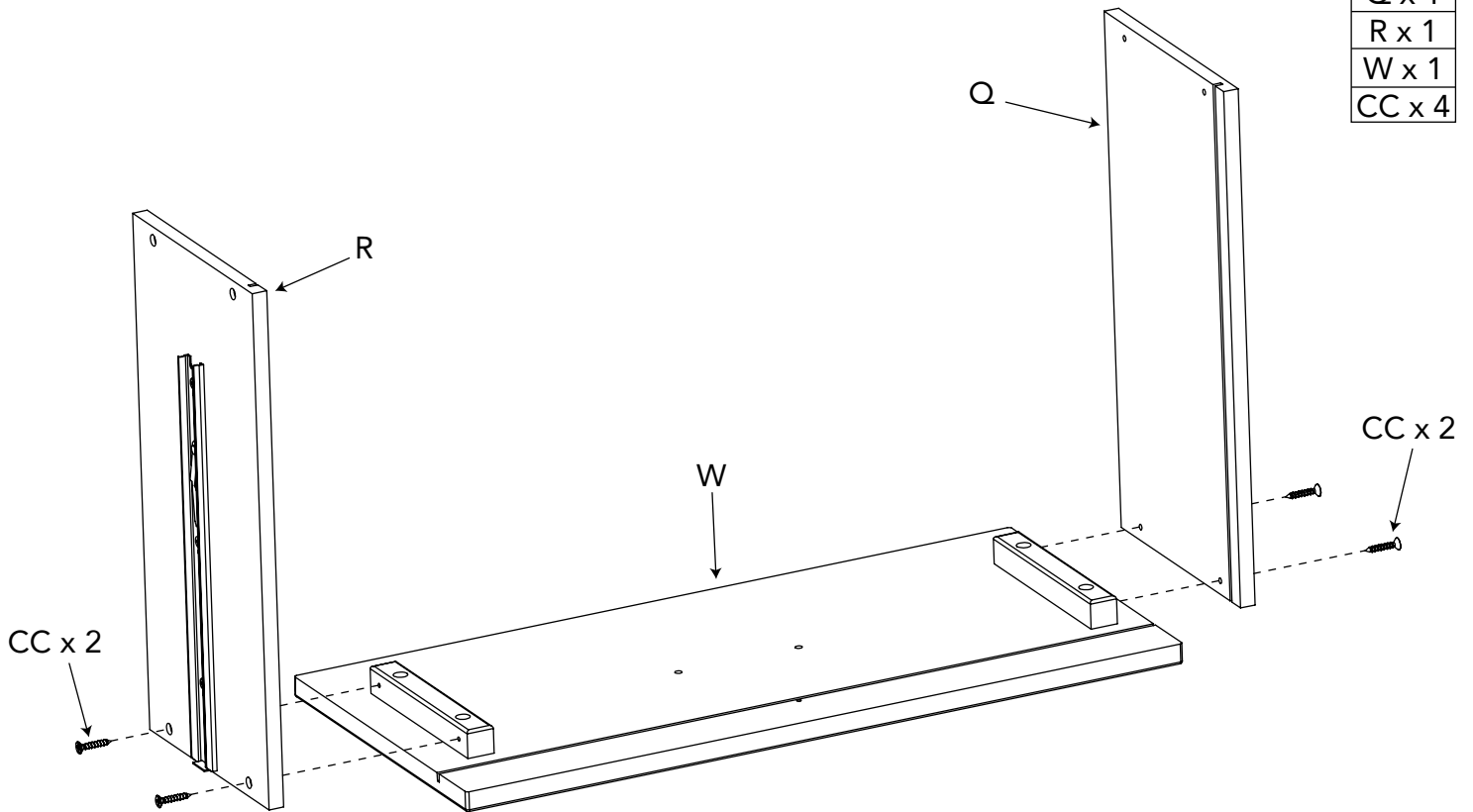
BB x 2
FF x 1



AB20513_G16

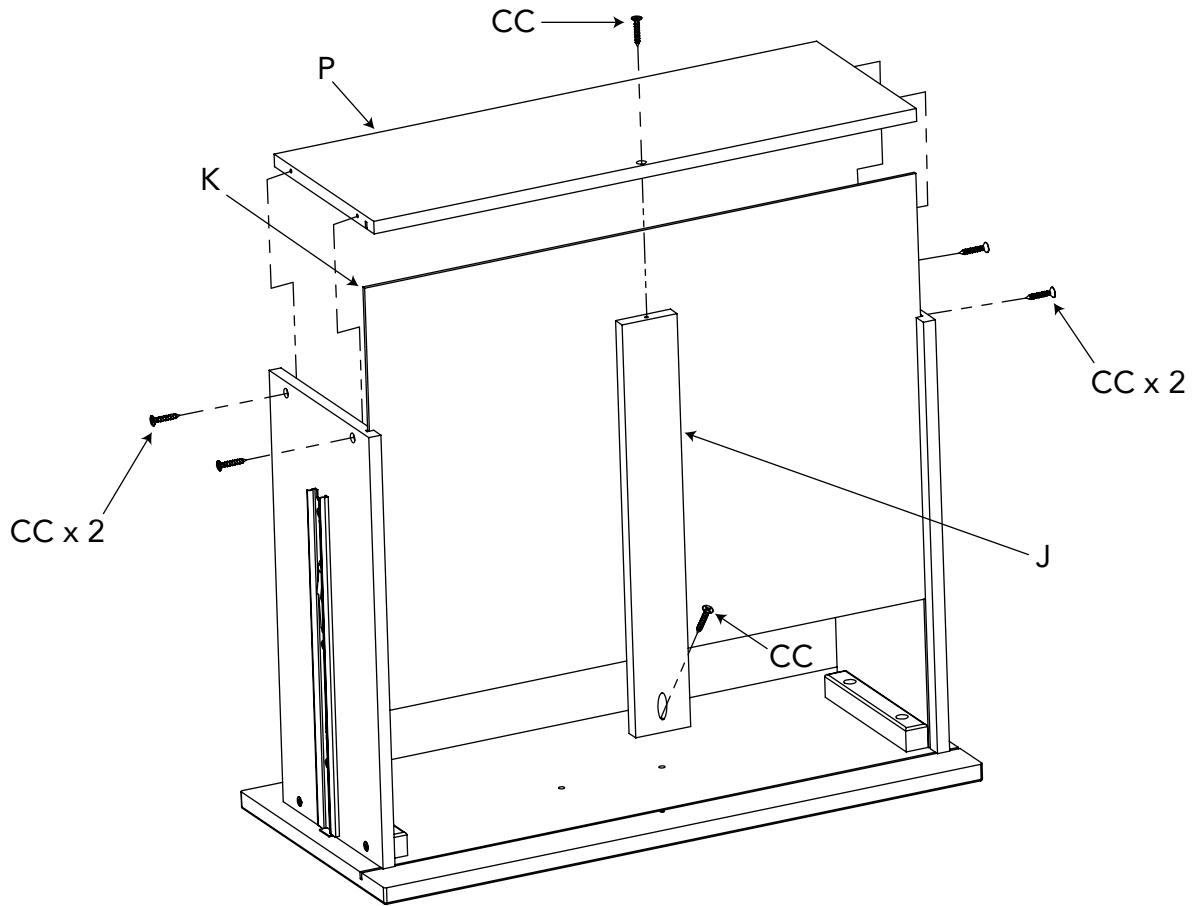
LOWER LEFT DRAWERS STEP 1 (x 2)

Q x 1
R x 1
W x 1
CC x 4



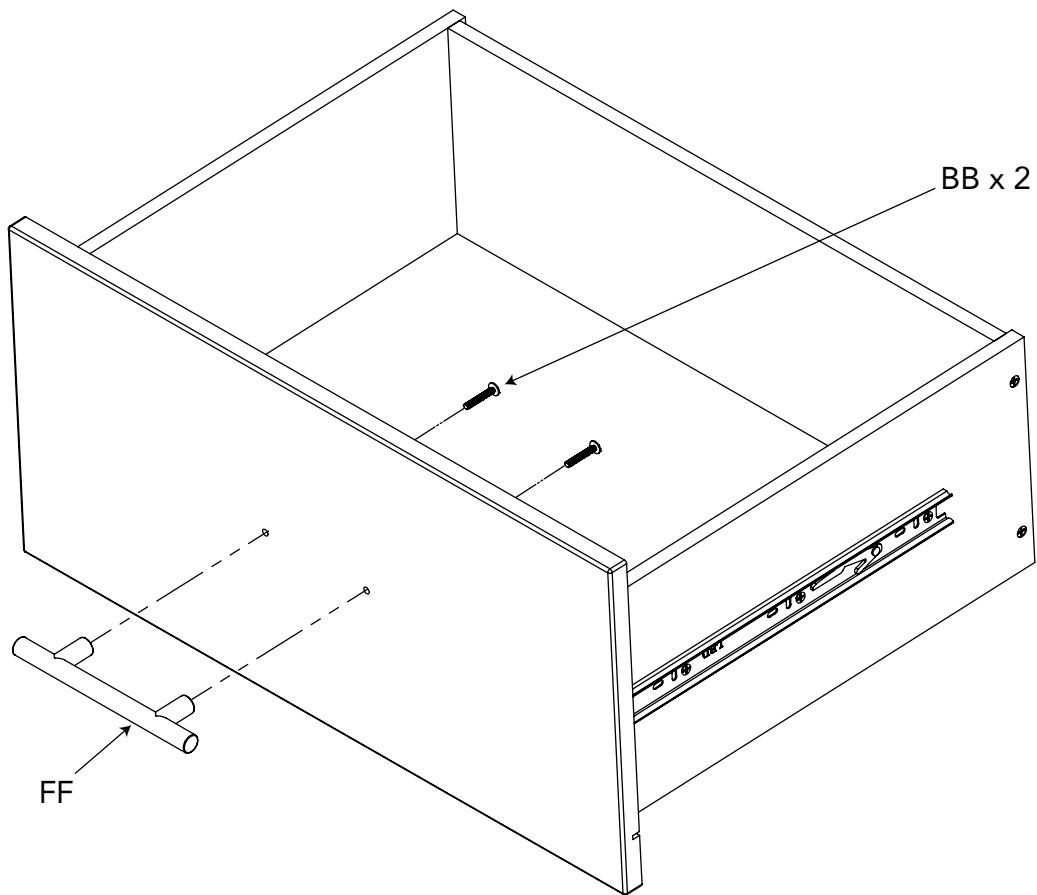
AB20513_G17

LOWER LEFT DRAWERS STEP 2 (x 2)



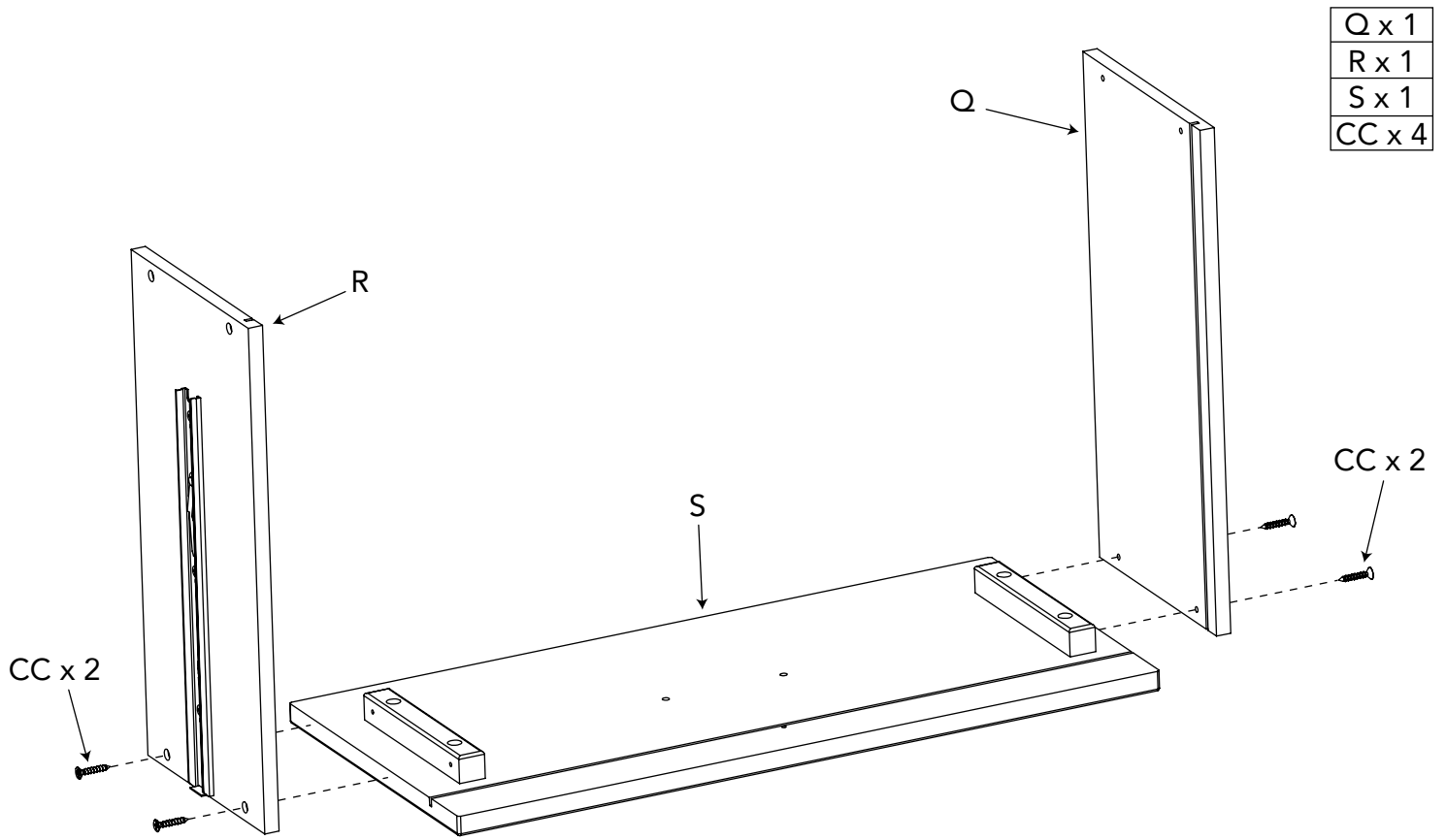
AB20513_G18

LOWER LEFT DRAWERS STEP 3 (x 2)



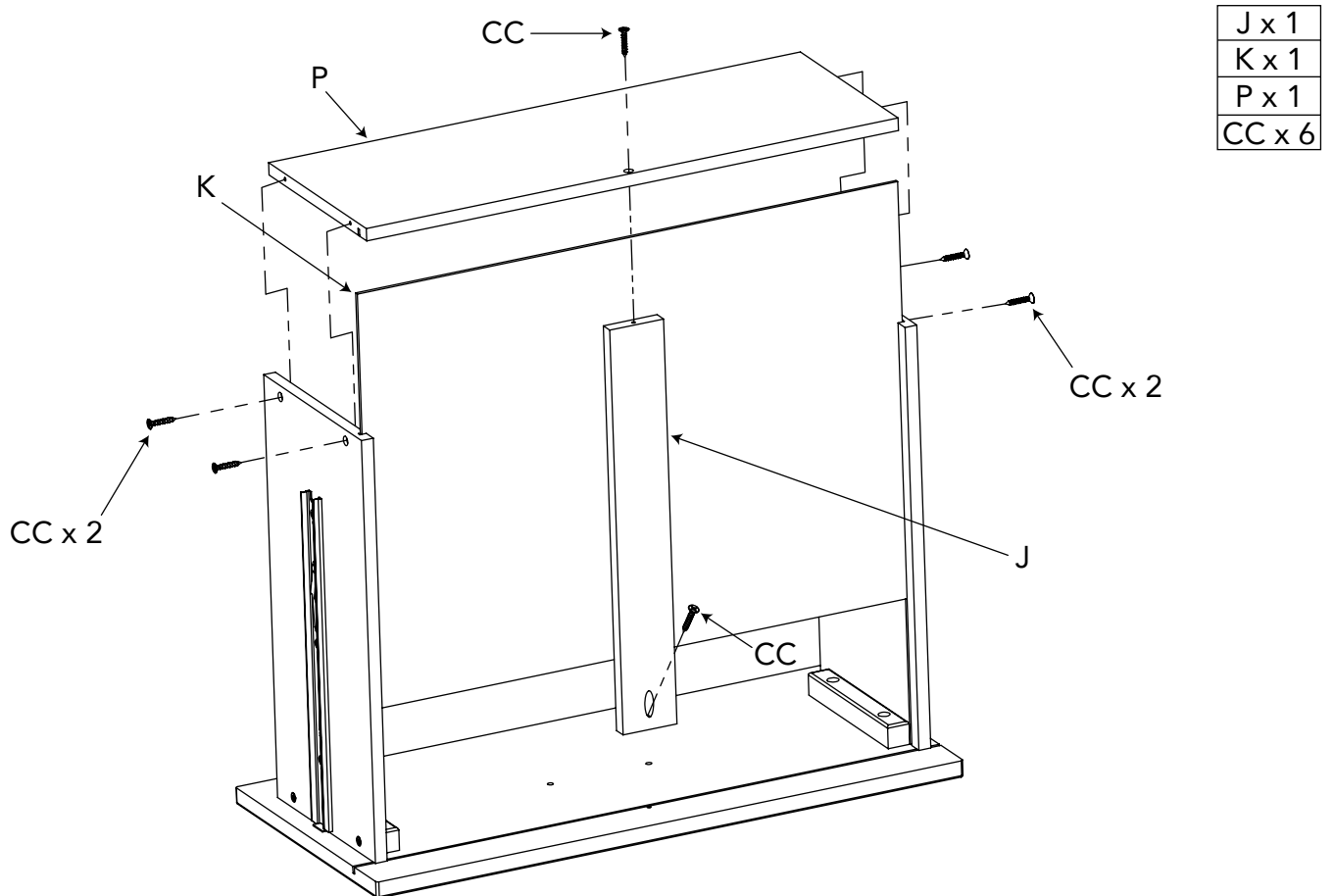
AB20513_G19

LOWER RIGHT DRAWERS STEP 1 (x 2)



AB20513_G22

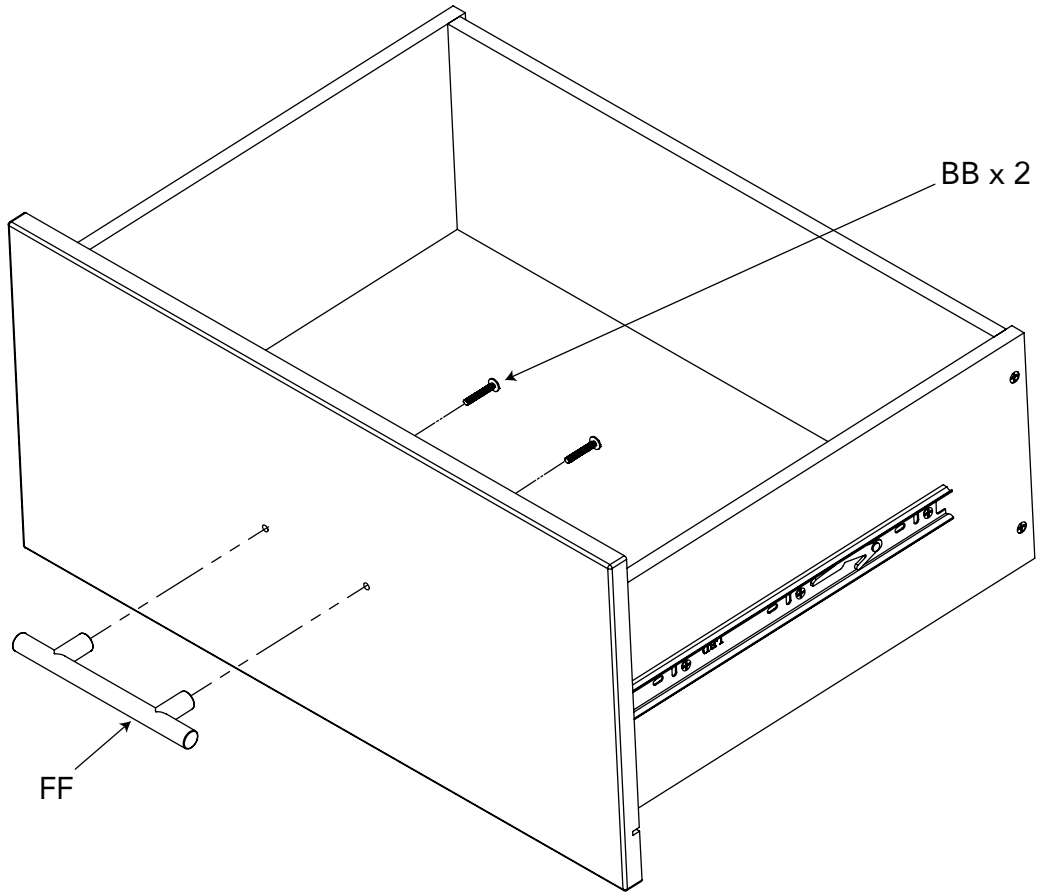
LOWER RIGHT DRAWERS STEP 2 (x 2)



AB20513_G18

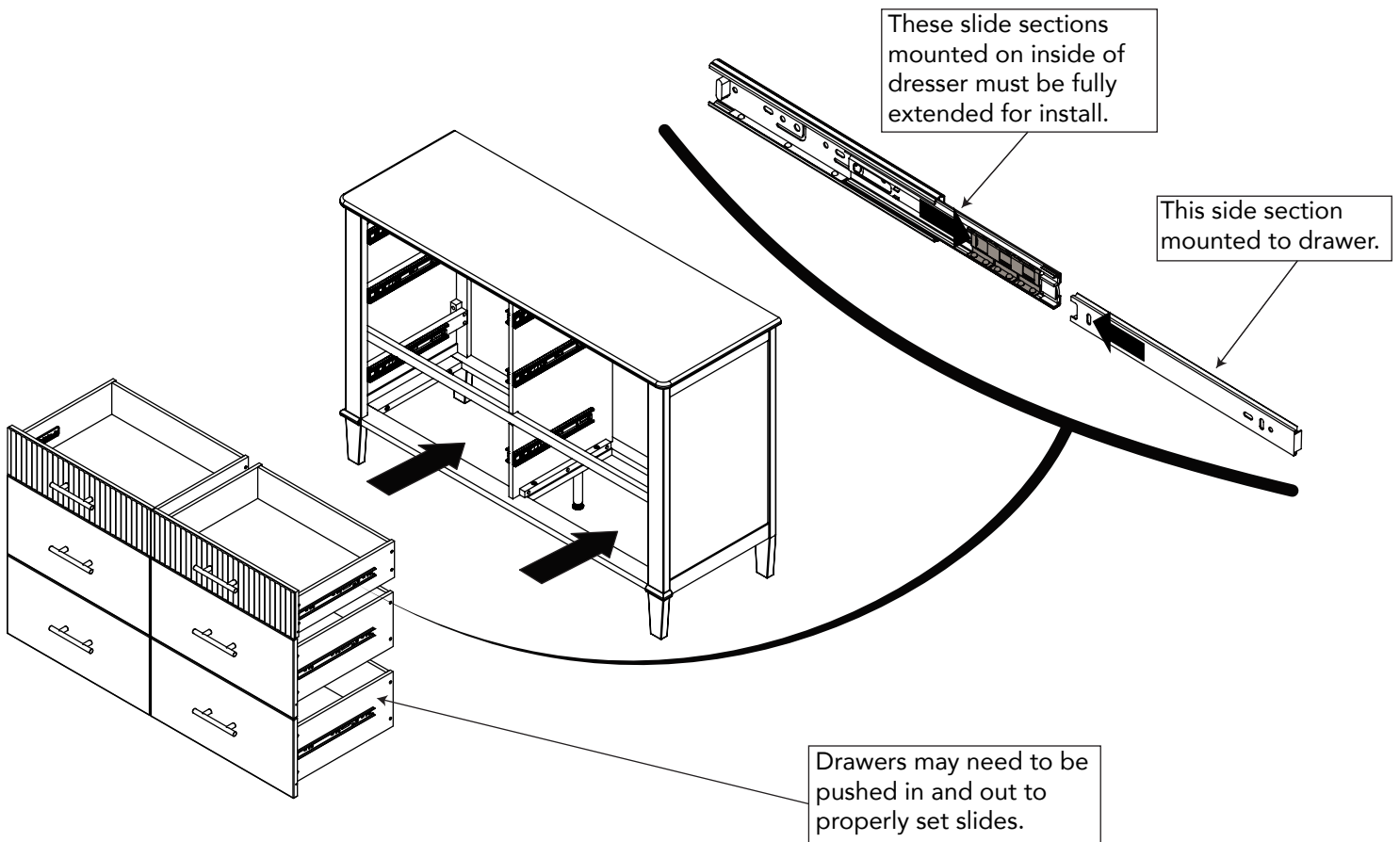
LOWER RIGHT DRAWERS STEP 3 (x 2)

BB x 2
FF x 1



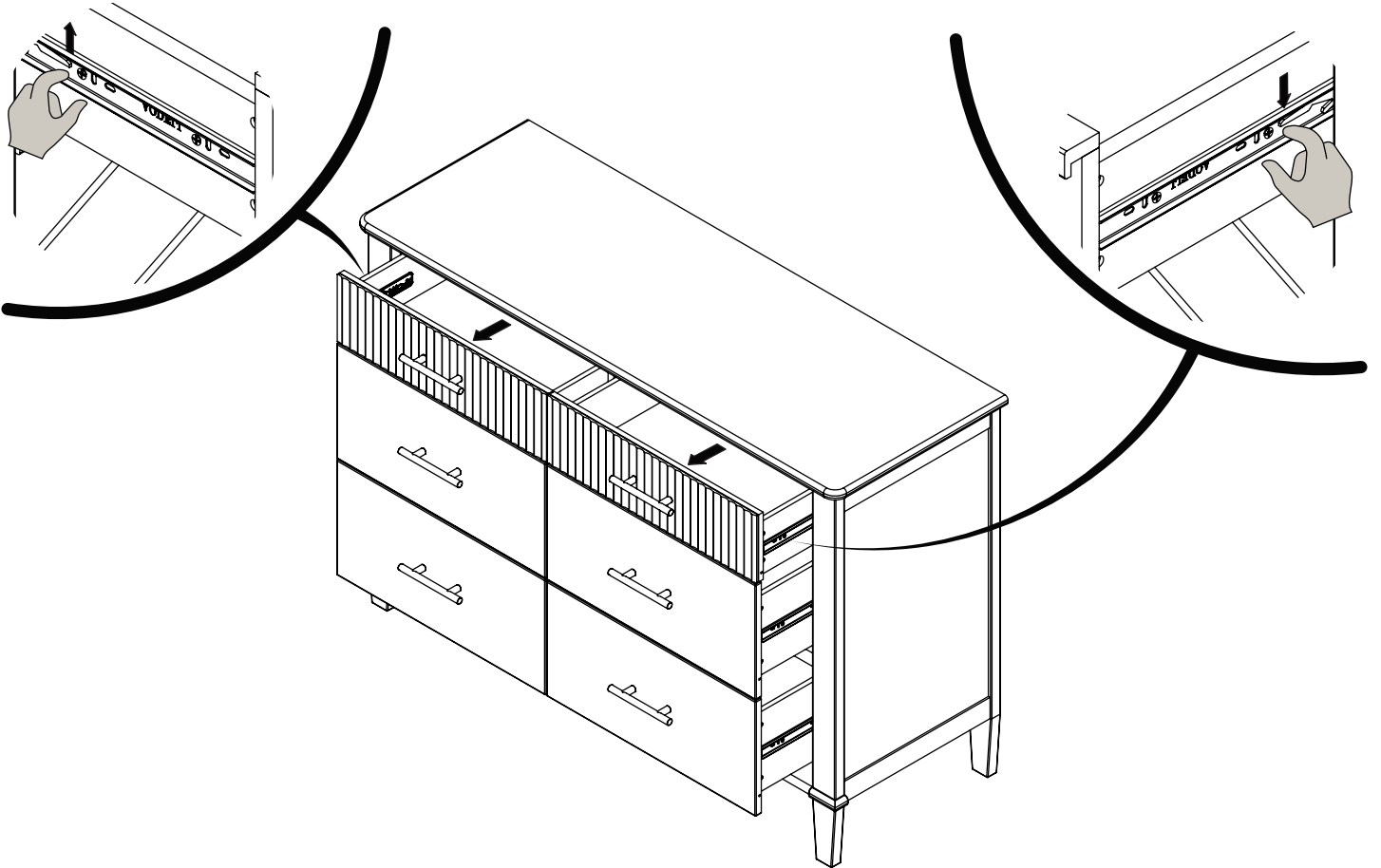
AB20513_G19

DRAWER INSTALLATION



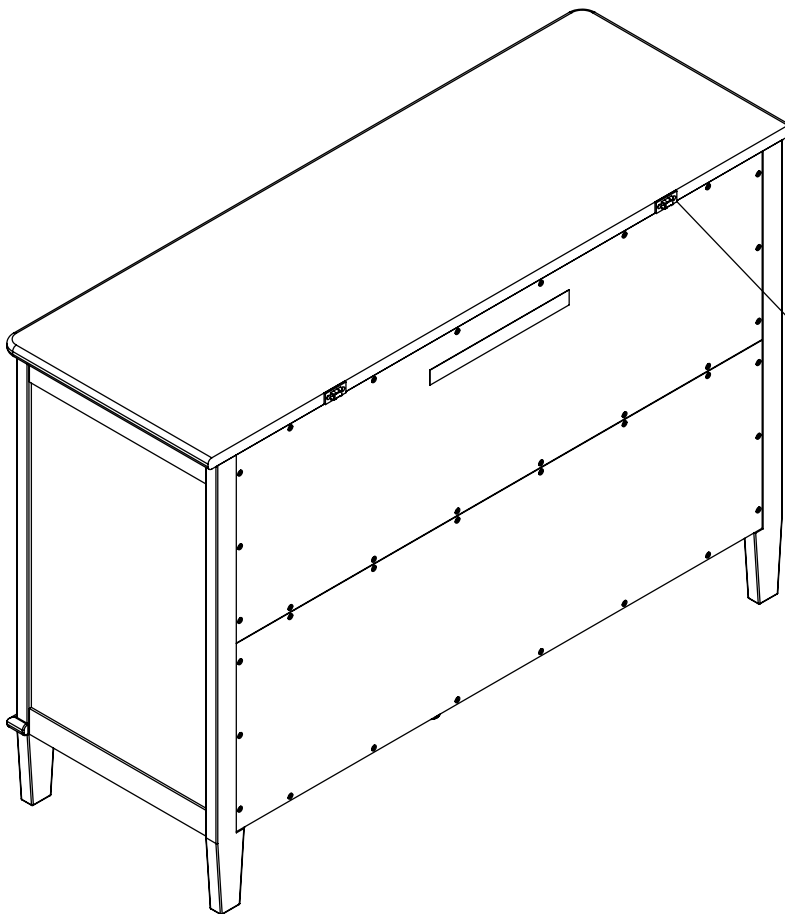
AB20513_G20

DRAWER REMOVAL



AB20513_G21

ANTI TIP KIT ALIGNMENT



For Anti Tip Kit Installation,
top of Anti Tip Bracket
should be placed along top
edge of the dresser.

Please refer to Anti Tip
Kit instructions for install.

AB20513_G4

WARNING

Serious or fatal crushing injuries can occur from furniture tipover. To help prevent tipover:

- Install tipover restraint provided.
- Place heaviest items in the lower drawers.
- Do not set TVs or other heavy objects on the top of this product.
- Never allow children to climb or hang on drawers, doors, or shelves.
- Never open more than one drawer at a time.

Use of tipover restraints may only reduce, but not eliminate, the risk of tipover.

MAINTENANCE, CLEANING, AND STORAGE

MAINTENANCE:

Upon completion of the assembly, check to make sure all screws, bolts and connectors are tightened and secure. Periodically check furniture for damaged hardware, loose joints, missing parts or sharp edges before and after assembly and frequently during use.

DO NOT use furniture if any parts are missing or broken.

If any parts are missing, broken or you need assistance DO NOT return furniture to your dealer.

Call Child Craft at 330-723-0599 and include model identification numbers recorded on page 1.

DO NOT substitute parts.

CLEANING:

Mix a mild solution of gentle dishwashing soap and water, apply to surface using a clean cloth lightly dampened in the solution. Rinse well with clear water using a soft clean cloth, then dry all surfaces with a soft dry cloth.

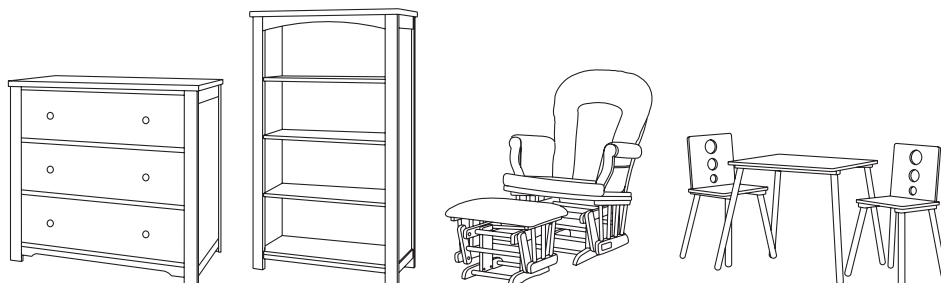
DO NOT use abrasive cleaners or any cleaners with harsh chemicals that would contact a child's skin, scouring pads, steel wool or coarse rags. This furniture should be treated the same as any fine furniture.

STORAGE:

When storing furniture use caution as extreme temperature or humidity changes could be harmful.

Use caution when a vaporizer is in use. Always aim vapor stream away from furniture as well as away from any wood furniture item.

After completing the assembly, the user is advised to read and be aware of ALL WARNINGS, CAUTIONS, CLEANING, STORAGE USE AND MAINTENANCE. Please store the complete set of assembly directions for future referral.



Shop More for Your

**Nursery, Toddler,
Playroom & Beyond**



5216 Portside Dr.
Medina, Ohio 44256 USA
Telephone: 330.723.0599
Fax: 330.722.5037
www.childcraftbaby.com

IMPORTED BY:
Foundations Worldwide Inc.
30 Casebridge Court
Scarborough, ON M1B 3M5 CAN
330.722.5033