

Forte Nightstand

Model Covered: F04328

KEEP INSTRUCTIONS FOR FUTURE USE.

**FOR CUSTOMER SERVICE CALL
 330-723-0599. DO NOT CALL
 RETAILER OR RESELLER FOR SERVICE
 AS THEY ARE NOT AUTHORIZED TO
 RESOLVE ANY SERVICE ISSUES.**

**FOR WARRANTY AND FEDERAL SAFETY
 STANDARD COMPLIANCE CERTIFICATES,
 PLEASE VISIT OUR WEBSITE AT
www.childcraftbaby.com**

ASSEMBLY ASSISTANCE

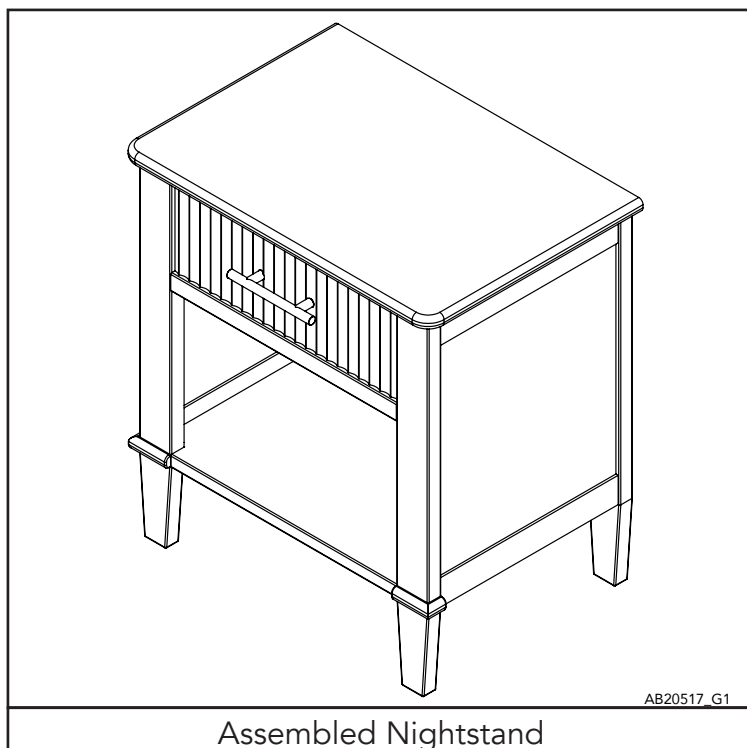
IMPORTANT: Retain for future reference and read carefully.

Child Craft strives for the highest quality in our products but occasionally a missing part or problem can occur during assembly.

If any parts are missing or broken or you need assistance with assembly, DO NOT return the product to your dealer. Go to our website at www.childcraftbaby.com or call Child Craft for assistance at 1-330-723-0599 (Monday through Friday, 9:00 a.m.– 4:00 p.m. Eastern Time). Please have the model number and manufacture date available when you call or write us at:
 Child Craft, 5216 Portside Dr., Medina, OH 44256

ASSEMBLY INSTRUCTIONS

- Adult assembly required.
- Read all instructions BEFORE assembly and USE of product.
- Unpack carton, remove packing materials, including polybag. Identify and check all parts.



Record the information for your product here:

Model Number: _____

Manufacture Date: _____

PO Number: _____

AB20517A

PARTS LIST

Part Description	Part Number	Qty.
A. Left Side	23103234	1
B. Right Side	23103238	1
C. Top	23103225	1
D. Back	23103228	1
E. Drawer Support Rail	23103248	1
F. Drawer Bottom	23103229	1
G. Top Drawer Back	23103230	1
H. Left Drawer Side	23103245	1
I. Right Drawer Side	23103246	1
J. Drawer Front	23103231	1
K. Bottom	23103224	1
L. Front Connector Rail	23103247	1
AA. Wood Screw	11201451	12
BB. Drawer Pull	11201563	1
CC. Dowel	11201360	10
DD. Allen Head Bolt 50mm Long	11200879	4
EE. Allen Head Bolt 30mm Long	11201220	6
FF. Screw	11201436	2
GG. Flat Head Screw	11201385	10
HH. Half Moon Connector	11201222	4
II. Allen Wrench	11201223	1

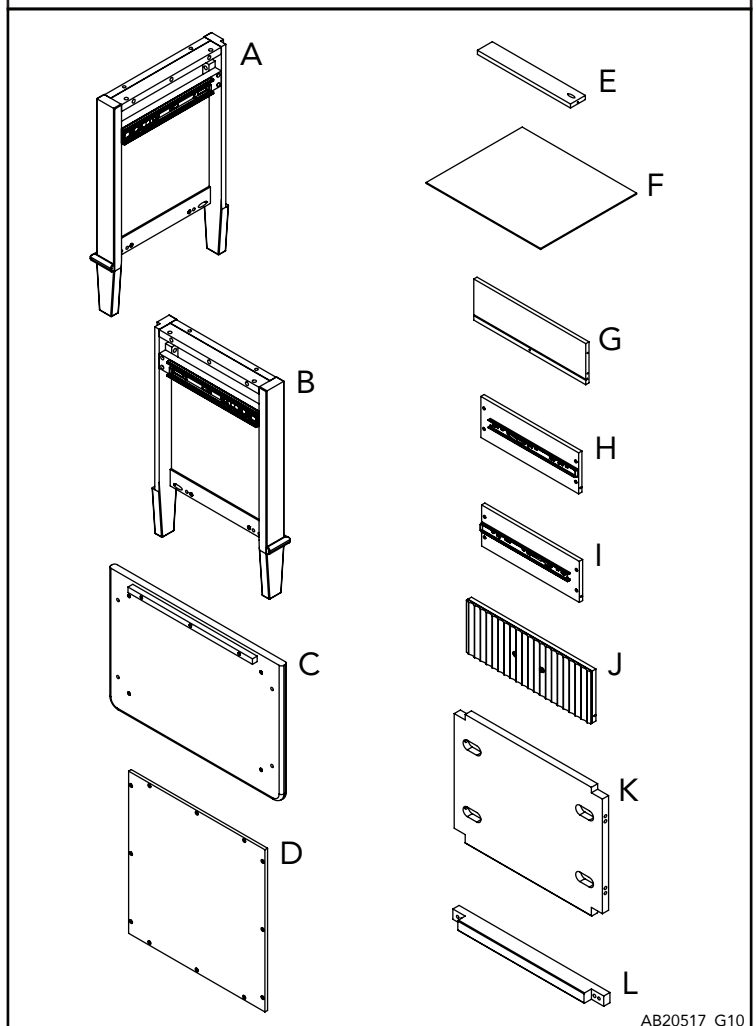
PREPARATION

Carefully remove and lay out all hardware and parts. Check quantities and match the parts list. Construct furniture on an even flat floor.

Note: During the assembly process whenever using screws or bolts, check each with the parts list by letter and size identification. Place each screw or bolt on the diagram of the item which is sketched actual size. Be sure to use the proper size specified in the assembly directions. If any parts are missing or broken or you need assistance with assembly, **DO NOT return your product to the dealer.** Please identify the furniture by the model number identification stamped on the assembly when you call or write to Child Craft. Make note of all identification numbers and include this information with your request.

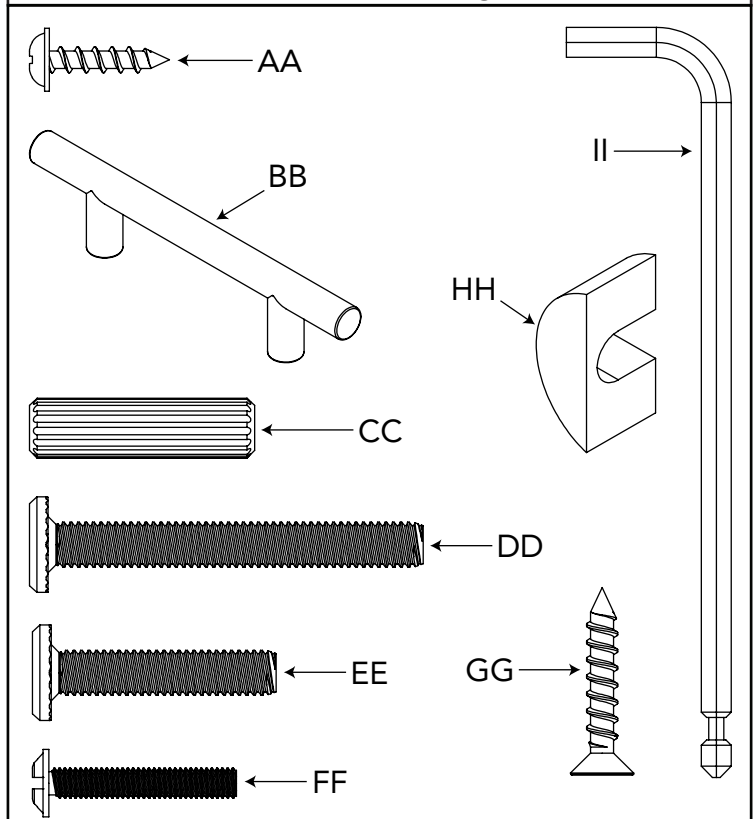
DO NOT Substitute Parts!

Furniture Parts



AB20517_G10

Hardware Package

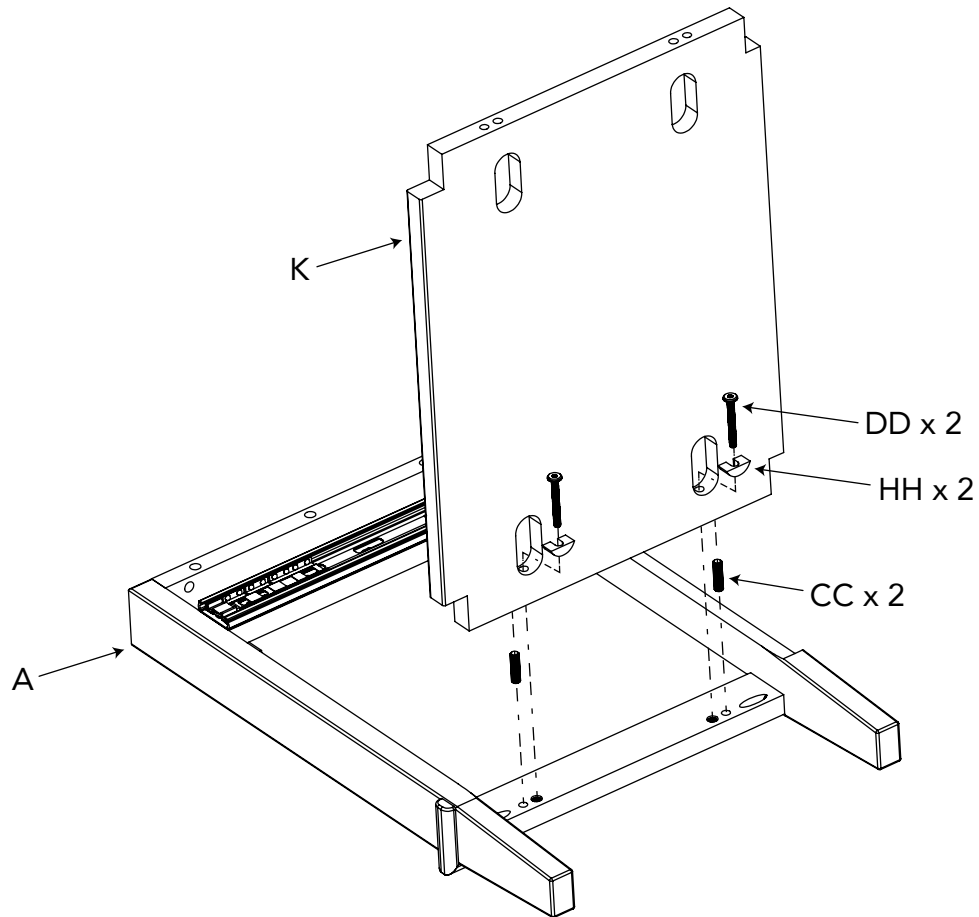


AB20517_G11

SUGGESTED TOOLS

#2 Medium Straight Screwdriver

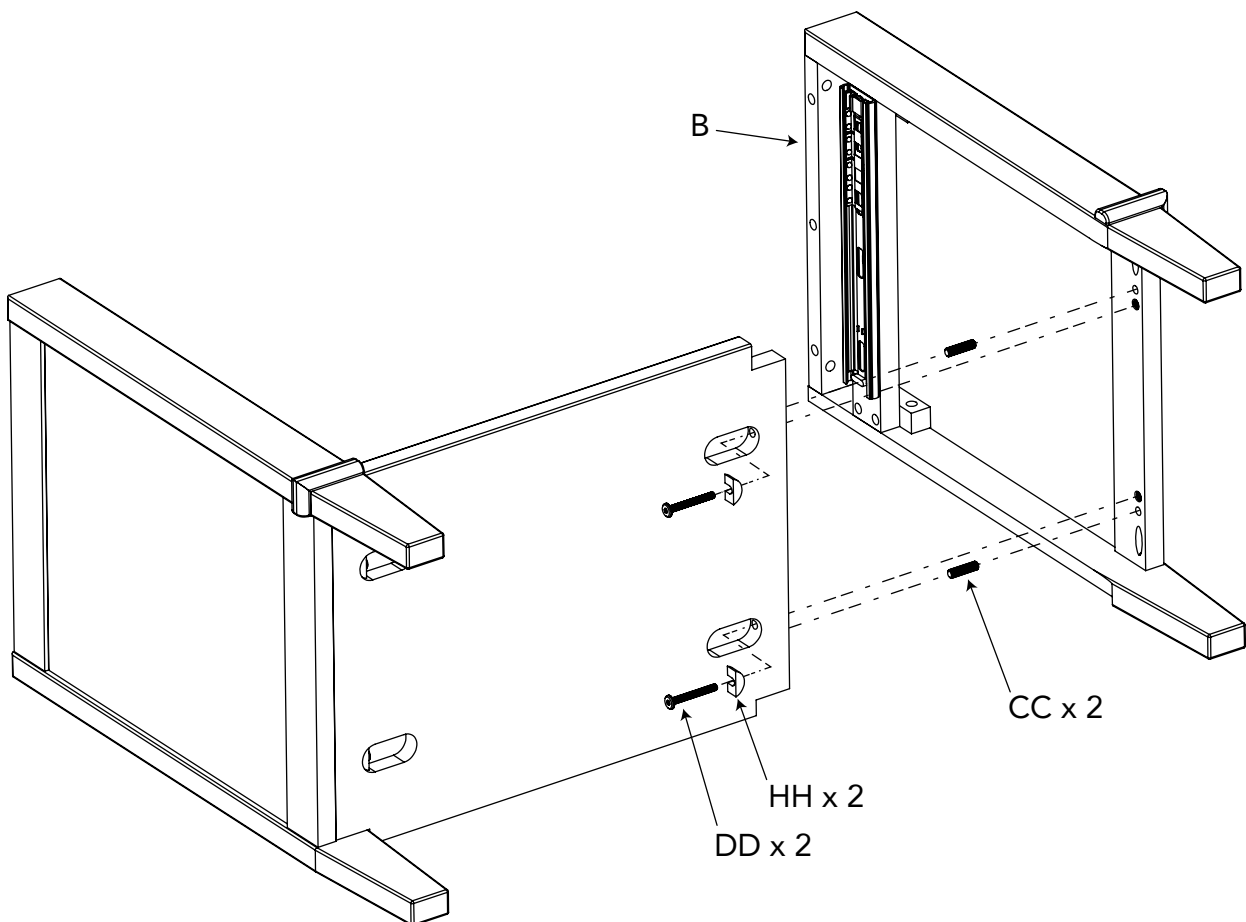
STEP 1



A x 1
K x 1
CC x 2
DD x 2
HH x 2

AB20517_G2

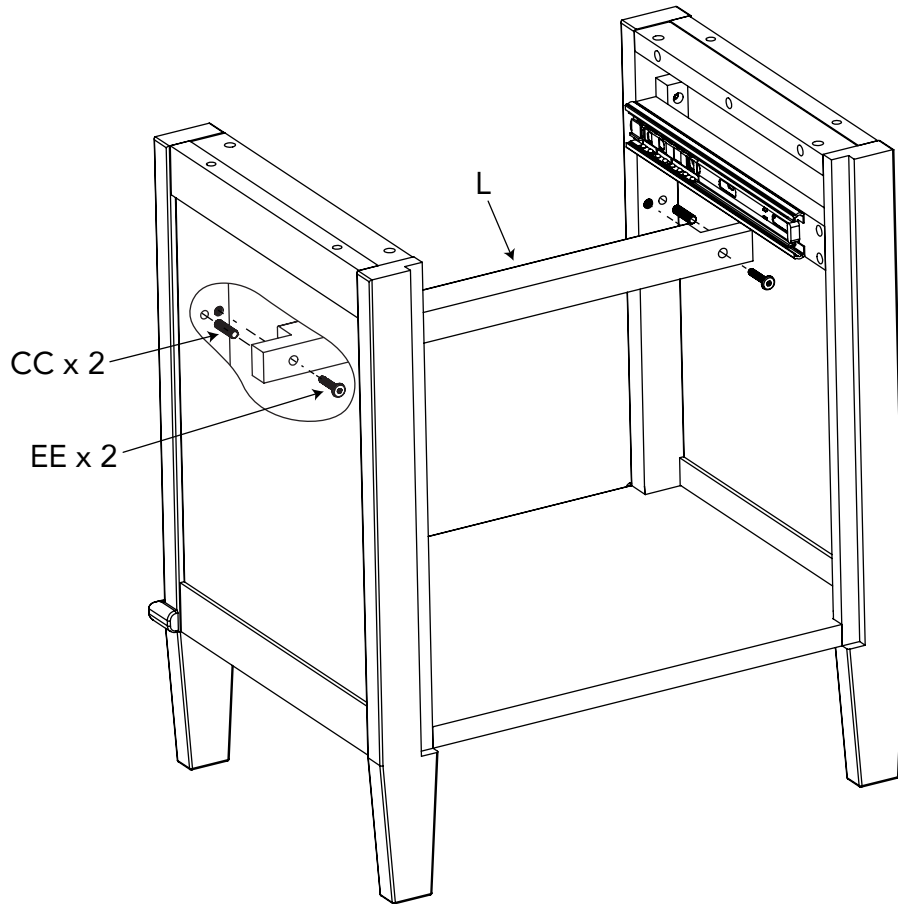
STEP 2



B x 1
CC x 2
DD x 2
HH x 2

AB20517_G3

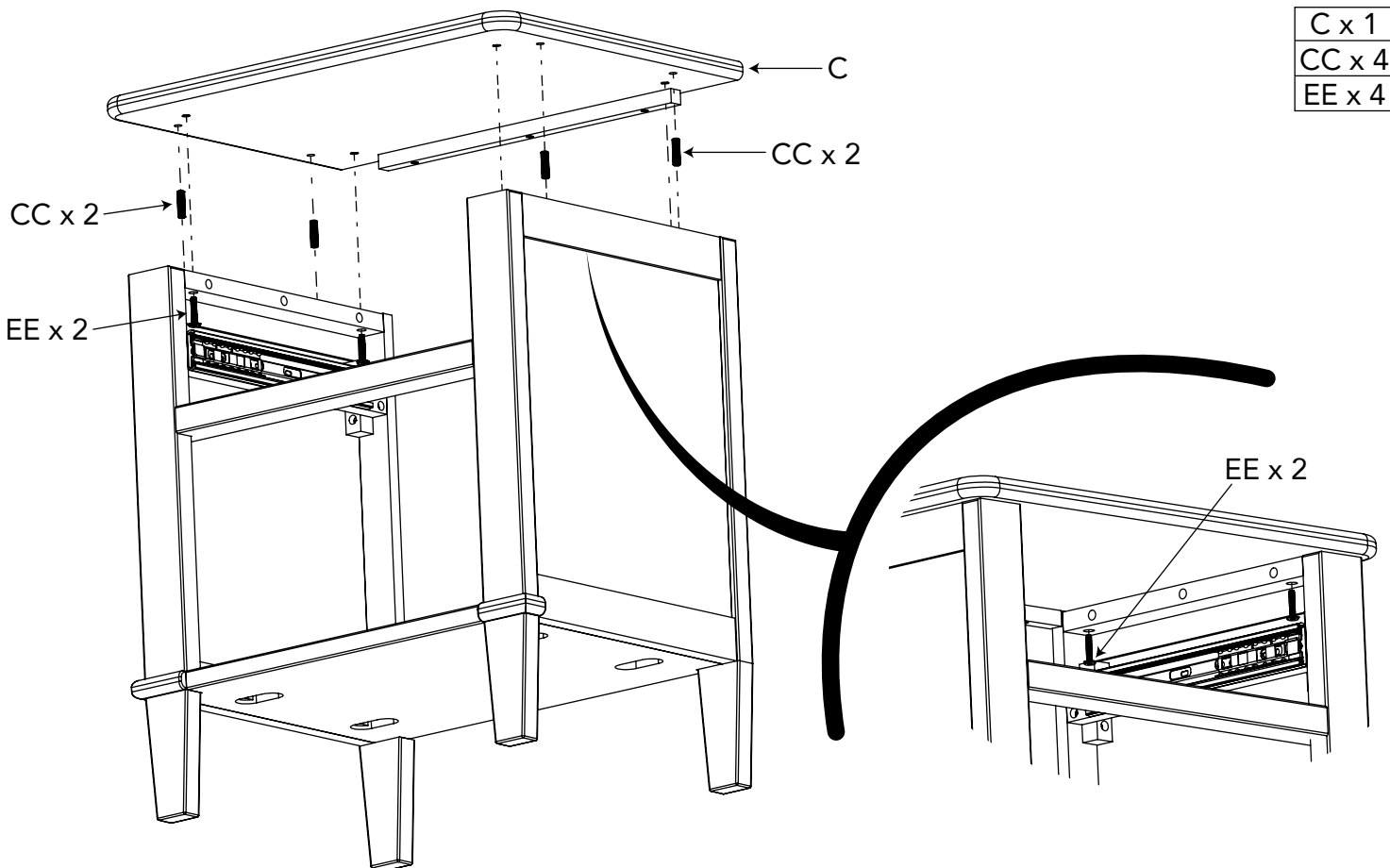
STEP 3



L x 1
CC x 2
EE x 2

AB20517_G4

STEP 4

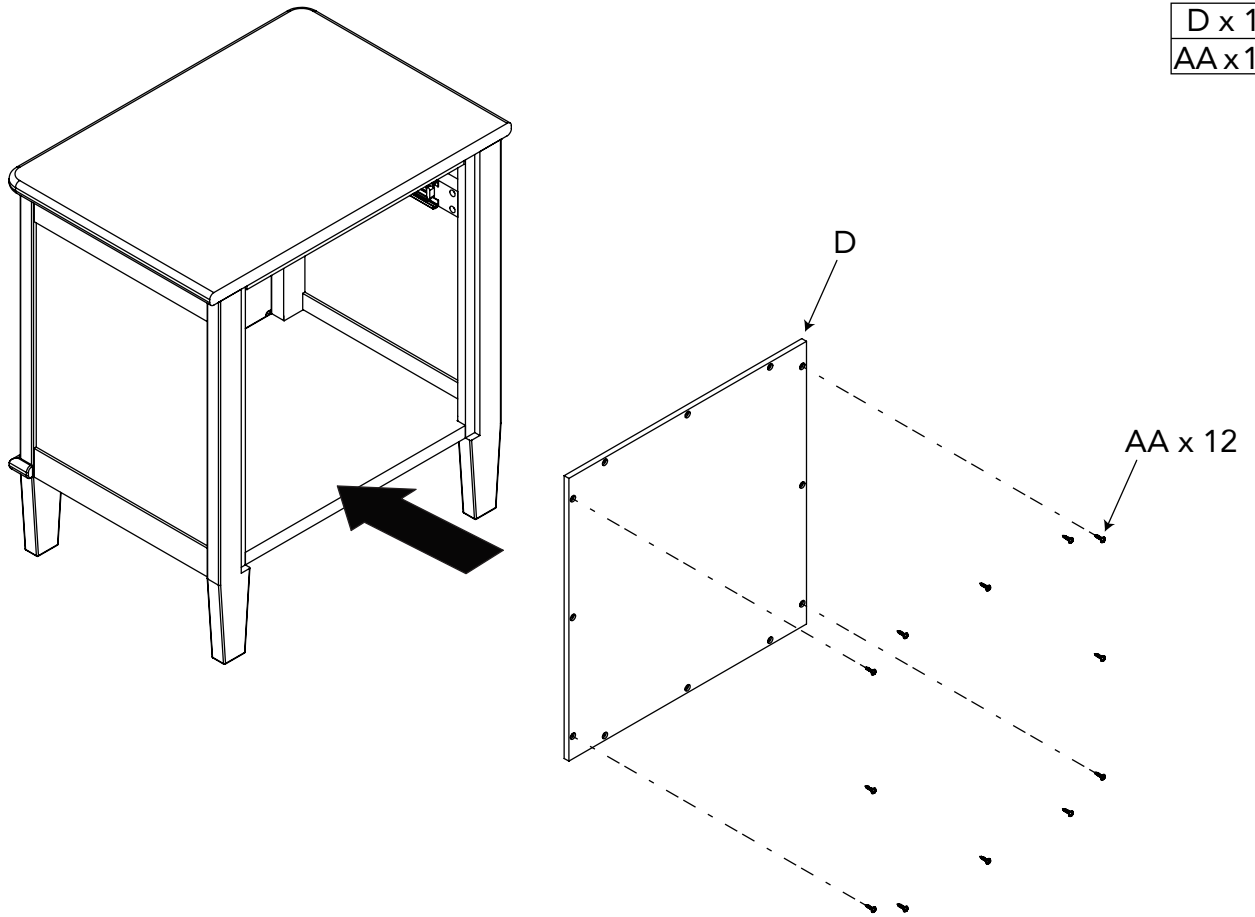


C x 1
CC x 4
EE x 4

AB20517_G5

STEP 5

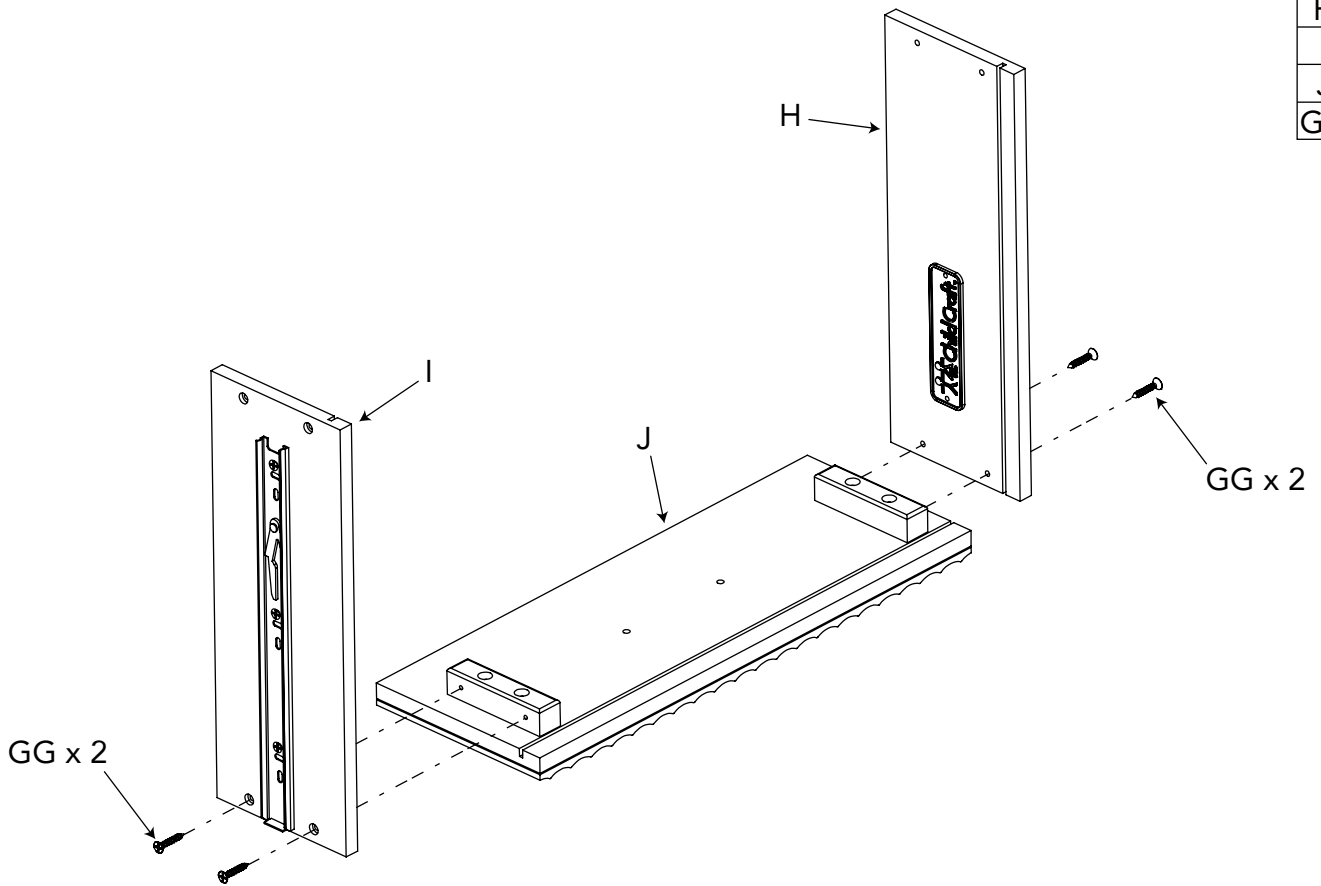
D x 1
AA x 12



AB20517_G6

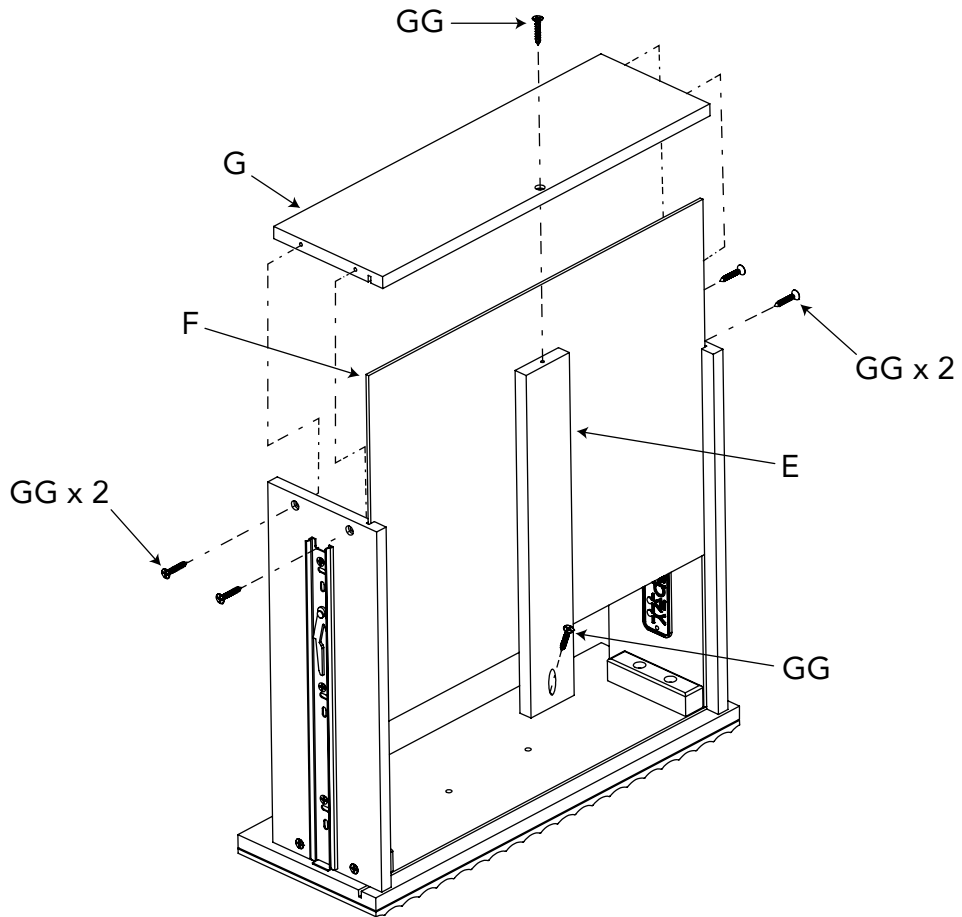
DRAWER STEP 1

H x 1
I x 1
J x 1
GG x 4



AB20517_G9

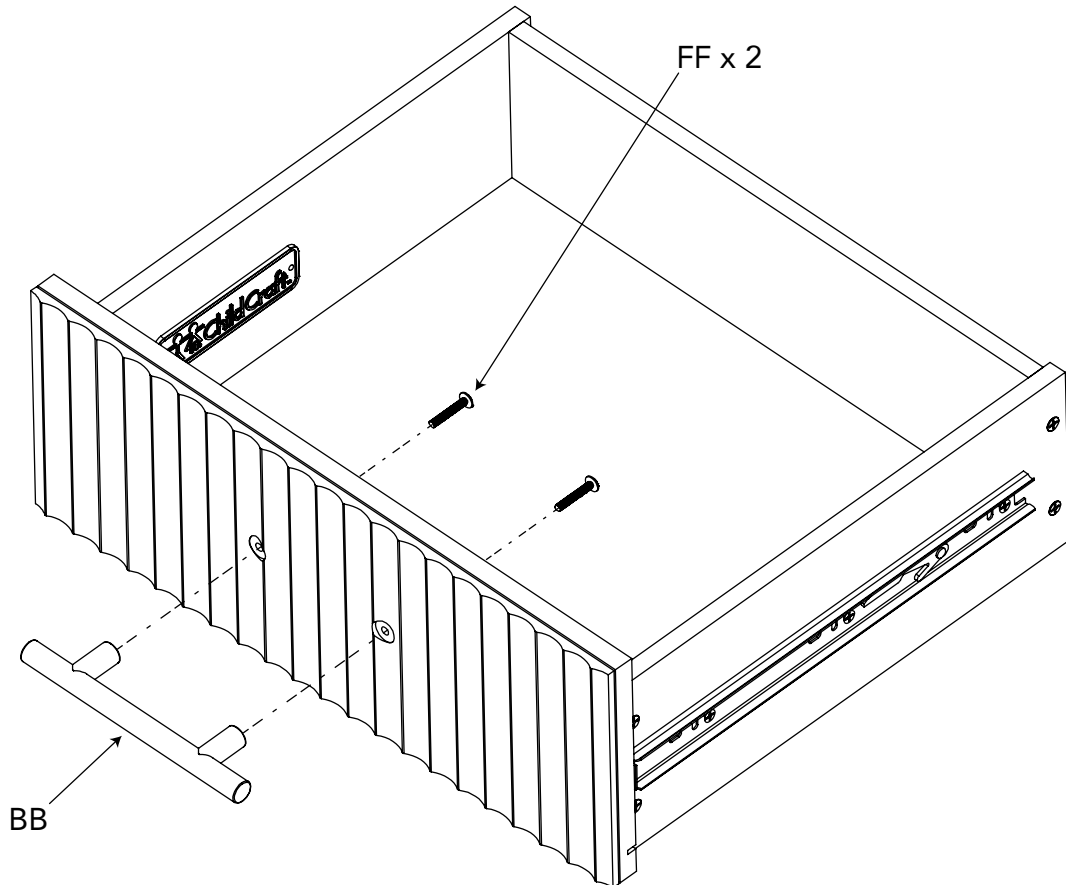
DRAWER STEP 2



E x 1
F x 1
G x 1
GG x 6

AB20517_G8

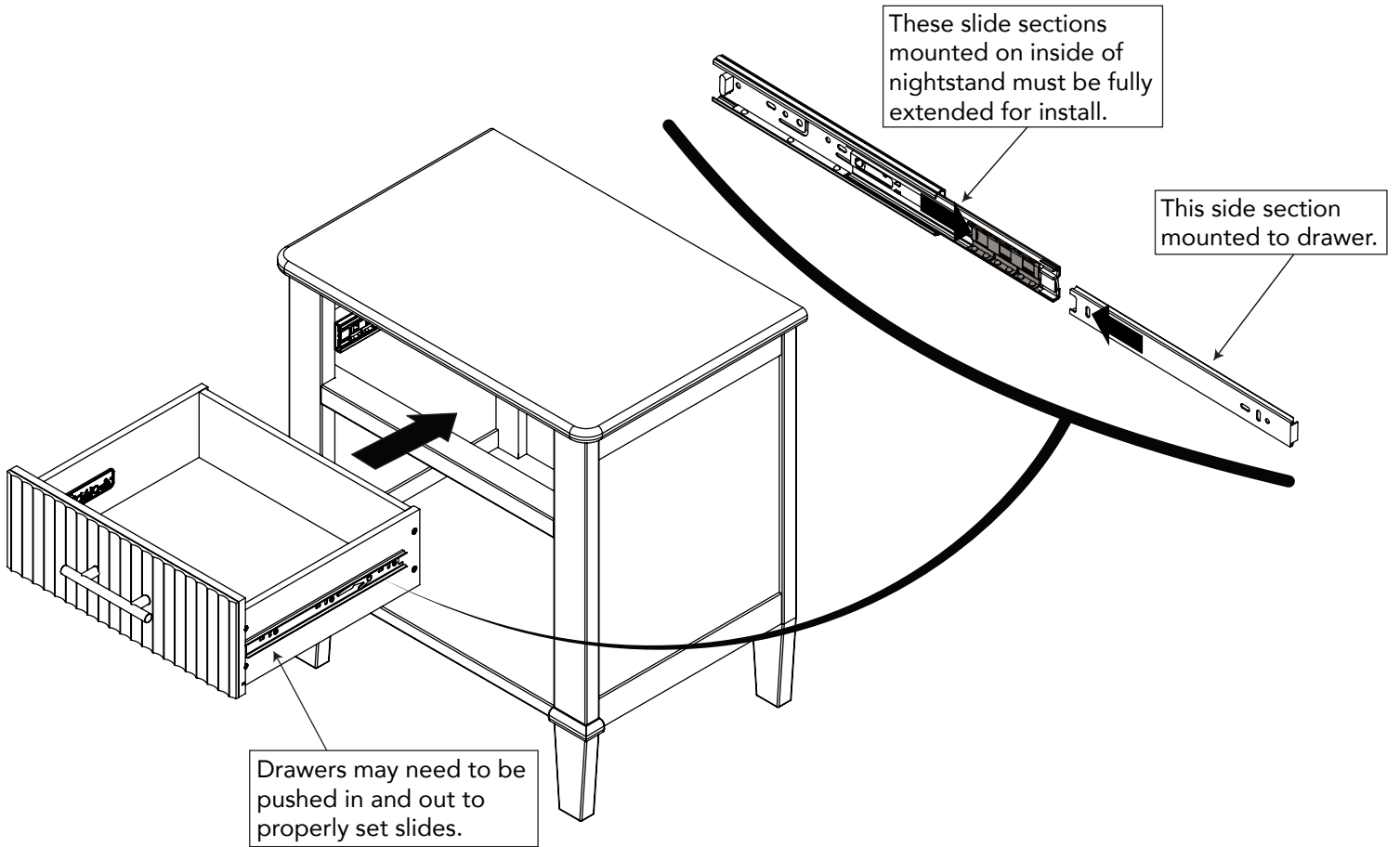
DRAWER STEP 3



BB x 1
FF x 2

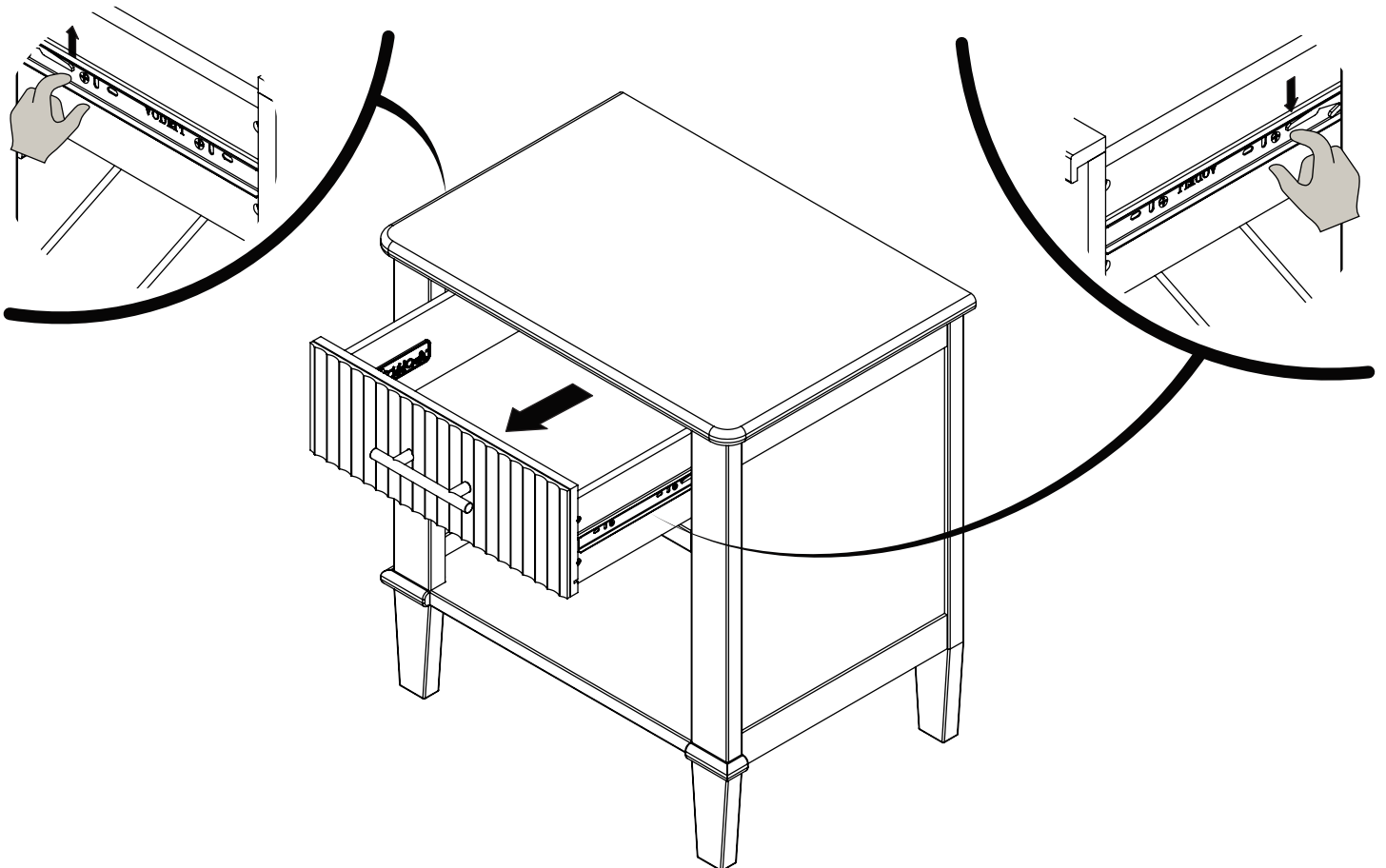
AB20517_G7

DRAWER INSTALL



AB20517_G13

DRAWER REMOVAL



AB20517_G12

WARNING

Serious or fatal crushing injuries can occur from furniture tipover. To help prevent tipover:

- Place heaviest items in the lower drawers.
- Do not set TVs or other heavy objects on the top of this product.
- Never allow children to climb or hang on drawers, doors, or shelves.

MAINTENANCE, CLEANING, AND STORAGE

MAINTENANCE:

Upon completion of the assembly, check to make sure all screws, bolts and connectors are tightened and secure. Periodically check furniture for damaged hardware, loose joints, missing parts or sharp edges before and after assembly and frequently during use.

DO NOT use furniture if any parts are missing or broken.

If any parts are missing, broken or you need assistance, DO NOT return furniture to your dealer.

Call Child Craft at 330-723-0599 and include model identification numbers recorded on page 1.

DO NOT substitute parts.

CLEANING:

Mix a mild solution of gentle dishwashing soap and water, apply to surface using a clean cloth lightly dampened in the solution. Rinse well with clear water using a soft clean cloth, then dry all surfaces with a soft dry cloth.

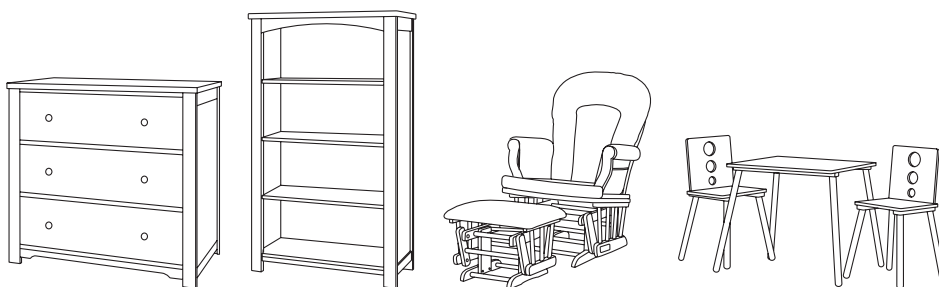
DO NOT use abrasive cleaners or any cleaners with harsh chemicals that would contact a child's skin, scouring pads, steel wool or coarse rags. This furniture should be treated the same as any fine furniture.


STORAGE:

When storing furniture use caution as extreme temperature or humidity changes could be harmful.

Use caution when a vaporizer is in use. Always aim vapor stream away from furniture as well as away from any wood furniture item.

After completing the assembly, the user is advised to read and be aware of ALL WARNINGS, CAUTIONS, CLEANING, STORAGE USE AND MAINTENANCE. Please store the complete set of assembly directions for future referral.



 Shop More for Your
**Nursery, Toddler,
Playroom & Beyond**



5216 Portside Dr.
Medina, Ohio 44256 USA
Telephone: 330.723.0599
Fax: 330.722.5037
www.childcraftbaby.com

IMPORTED BY:
Foundations Worldwide Inc.
30 Casebridge Court
Scarborough, ON M1B 3M5 CAN
330.722.5033