

## Ocean Grove Chest

**Model Covered: F05502**

**KEEP INSTRUCTIONS FOR FUTURE USE.**

**FOR CUSTOMER SERVICE CALL  
 330-723-0599. DO NOT CALL  
 RETAILER OR RESELLER FOR SERVICE  
 AS THEY ARE NOT AUTHORIZED TO  
 RESOLVE ANY SERVICE ISSUES.**

**FOR WARRANTY AND FEDERAL SAFETY  
 STANDARD COMPLIANCE CERTIFICATES,  
 PLEASE VISIT OUR WEBSITE AT  
[www.childcraftbaby.com](http://www.childcraftbaby.com)**

### ASSEMBLY ASSISTANCE

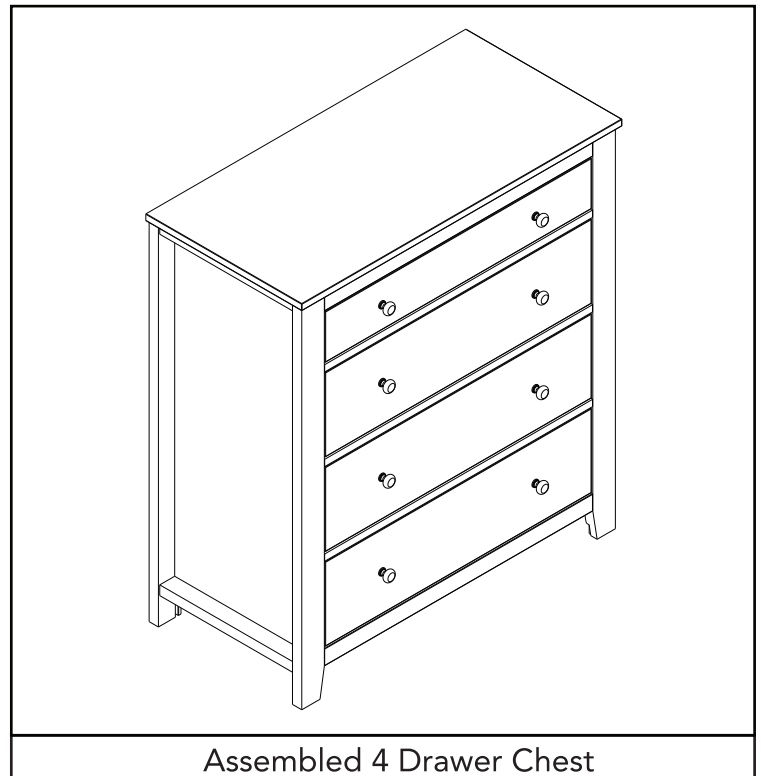
**IMPORTANT: Retain for future reference and read carefully.**

Child Craft strives for the highest quality in our products but occasionally a missing part or problem can occur during assembly.

If any parts are missing or broken or you need assistance with assembly, DO NOT return the product to your dealer. Go to our website at [www.childcraftbaby.com](http://www.childcraftbaby.com) or call Child Craft for assistance at 1-330-723-0599 (Monday through Friday, 9:00 a.m.– 4:00 p.m. Eastern Time). Please have the model number and manufacture date available when you call or write us at:  
 Child Craft, 5216 Portside Dr., Medina, OH 44256

### ASSEMBLY INSTRUCTIONS

- Adult assembly required.
- Read all instructions BEFORE assembly and USE of product.
- Unpack carton, remove packing materials, including polybag. Identify and check all parts.



Record the information for your product here:

Model number: F05502.61

Manufacture date: 2022 / 06

PO number: XXXXXX

## PARTS LIST

Part Description	Part Number	Qty.
1. Right Side	23103095	01
2. Top Front Connector Rail	23103086	01
3. Bottom Front Connector Rail	23103087	01
4. Drawer Divider Rail	23103088	03
5. Back Board	23103084	01
6. Top	23103085	01
7. Back Cover	23103089	02
8. Drawer Bottom	23103090	04
9. Top Drawer Back	23103094	01
10. Top Drawer Left Side	23103075	01
11. Top Drawer Right Side	23103077	01
12. Top Drawer Front	23103092	01
13. Bottom Drawer Back	23103091	03
14. Bottom Drawer Left Side	23103081	03
15. Bottom Drawer Right Side	23103082	03
16. Bottom Drawer Front	23103093	03
17. Left Side	23103100	01
18. Union Plastic	11201548	01

## HARDWARE LIST

Part Description	Part Number	Qty.
A. Wood Dowel	11201360	44
B. Phillips Head Screw 30mm Long	11201133	48
C. Minifix Screw	11201358	06
D. Phillips Head Screw 16mm Long	11201451	30
E. Glide Screw	11201542	32
F. Minifix Round Nut	11201359	06
G. Screw 30mm Long	11201567	08
H. Euro Glide - Case Left	11201543	04
I. Euro Glide - Drawer Left	11201545	04
J. Euro Glide - Drawer Right	11201546	04
K. Euro Glide - Case Right	11201544	04
L. Drawer Knob	11201541	08
M. Safety Bracket Kit	11201229	01

## PREPARATION

Carefully remove and lay out all hardware and parts. Check quantities and match the parts list. Construct furniture on an even flat floor.

Note: During the assembly process whenever using screws or bolts, check each with the parts list by letter and size identification. Be sure to use the proper size specified in the assembly directions. If any parts are missing or broken or you need assistance with assembly, DO NOT return your product to the dealer. Please identify the furniture by the model number identification stamped on the assembly when you call or write to Child Craft. Make note of all identification numbers and include this information with your request.

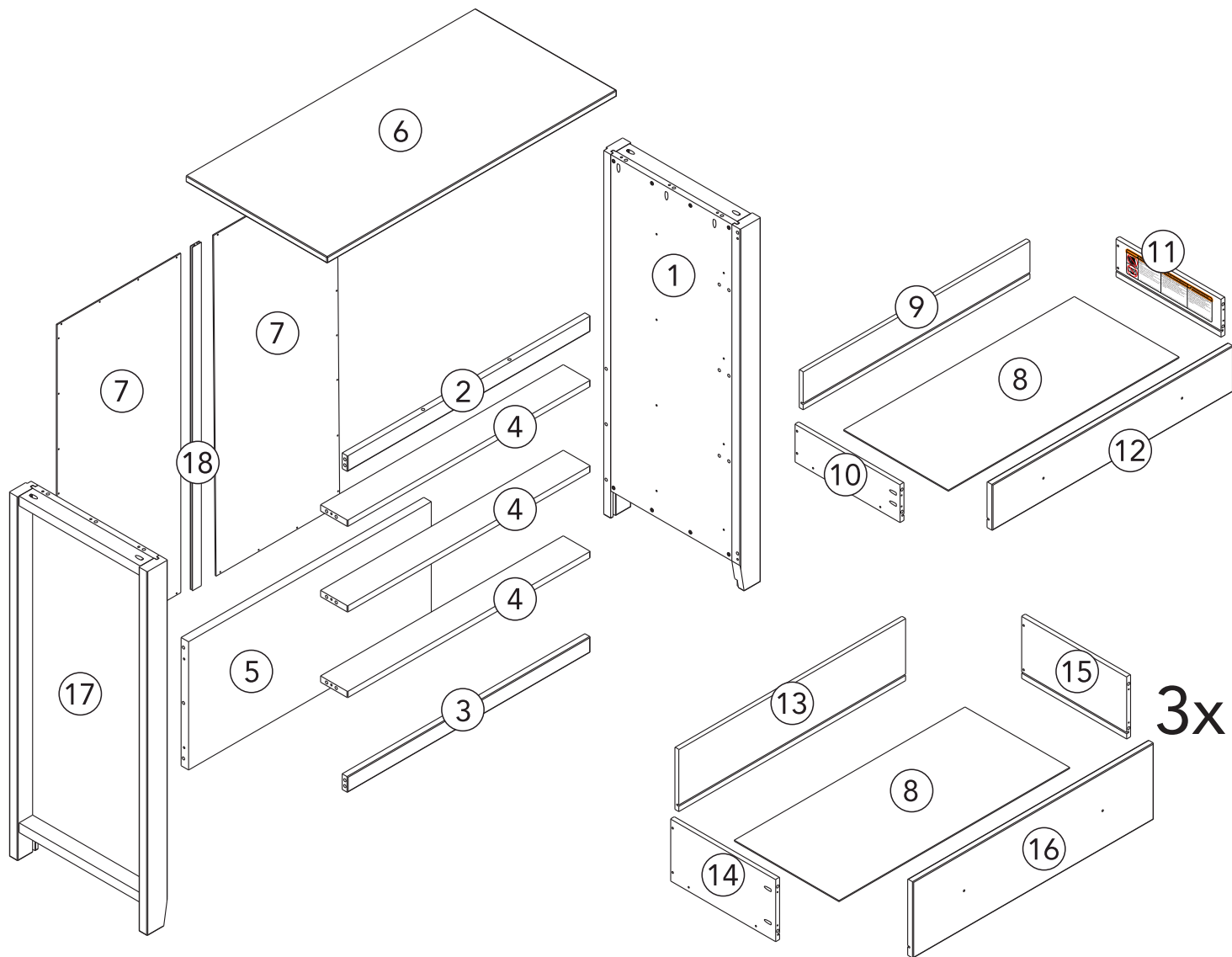
### DO NOT Substitute Parts!

**IMPORTANT NOTE:** During the assembly process, it may be necessary to temporarily loosen fasteners installed in an earlier step to allow adjustments in proper alignment for other parts. Always remember to retighten securely after this process.

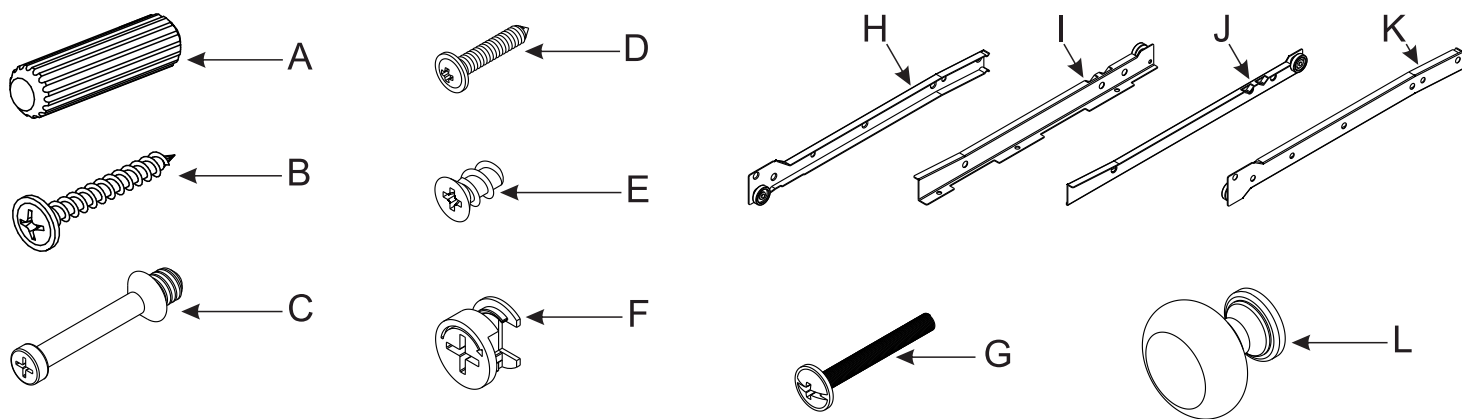
## SUGGESTED TOOLS

#2 Phillips Screwdriver

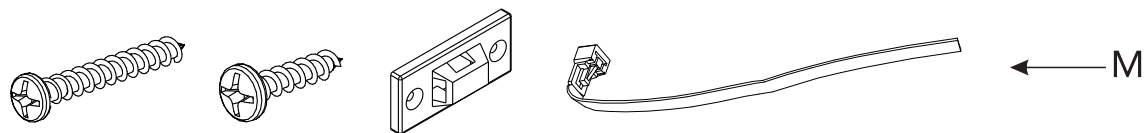
Furniture Parts



Hardware Package

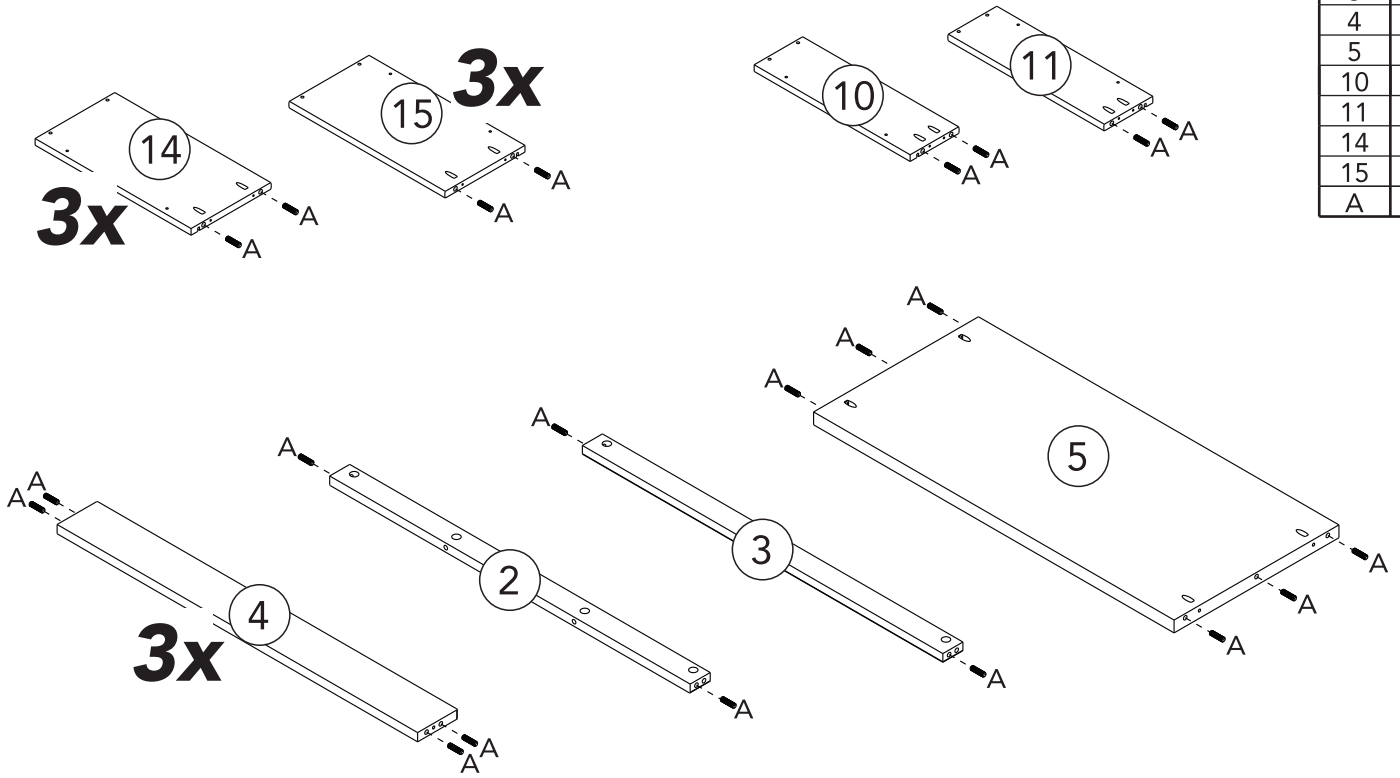


Safety Bracket Kit



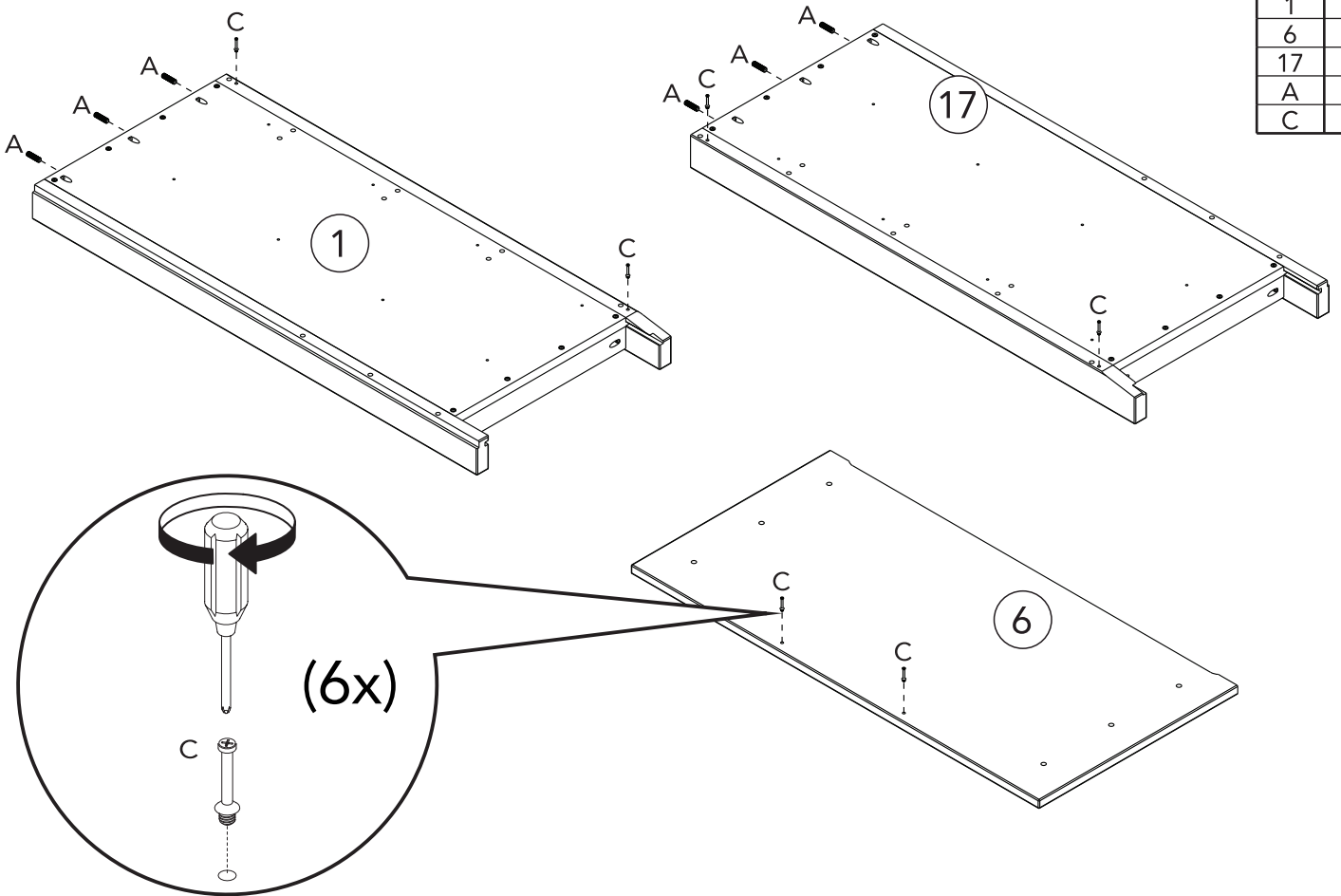
# STEP 1

Part	Qty.
2	01
3	01
4	03
5	01
10	01
11	01
14	03
15	03
A	38



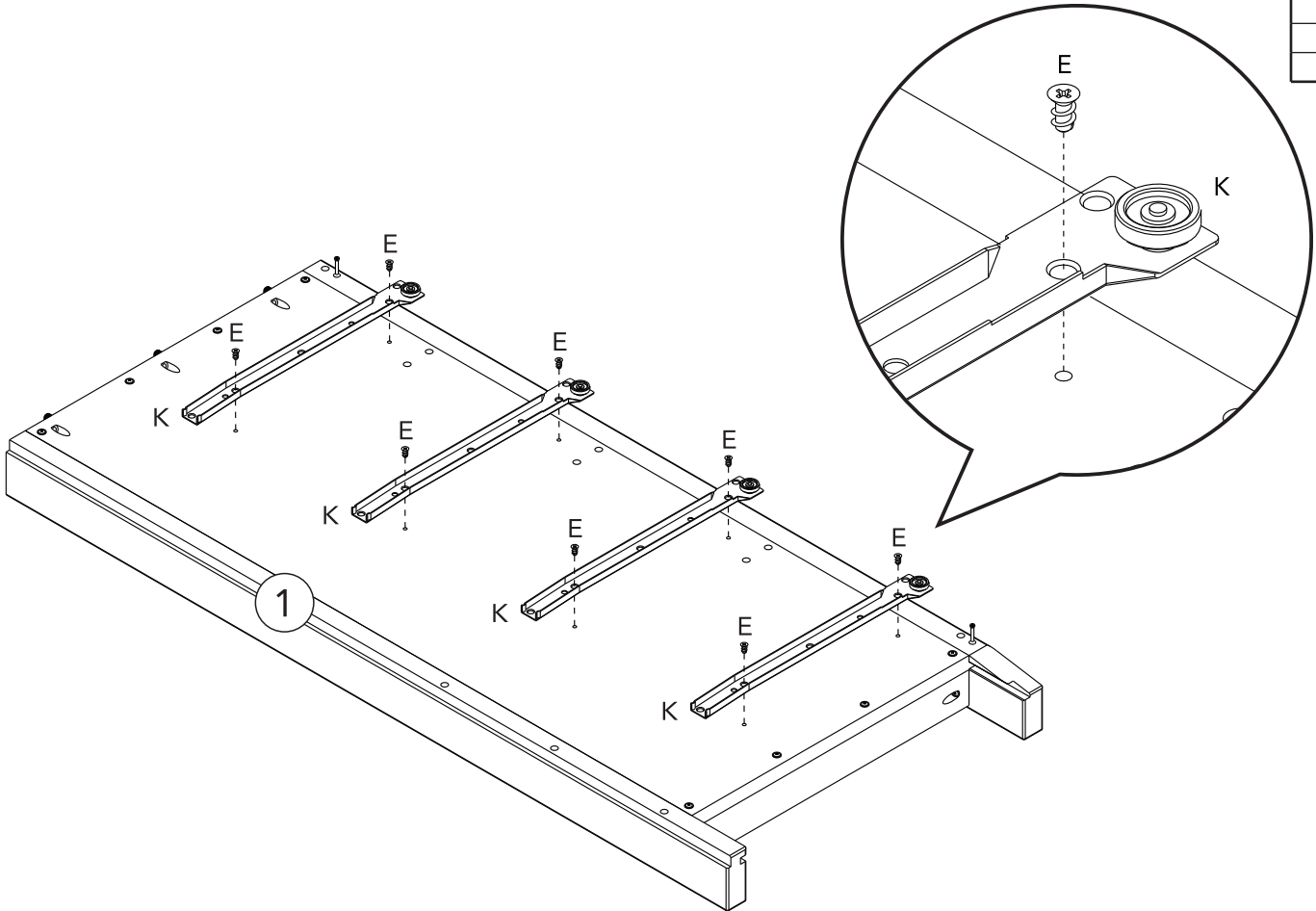
# STEP 2

Part	Qty.
1	01
6	01
17	01
A	06
C	06



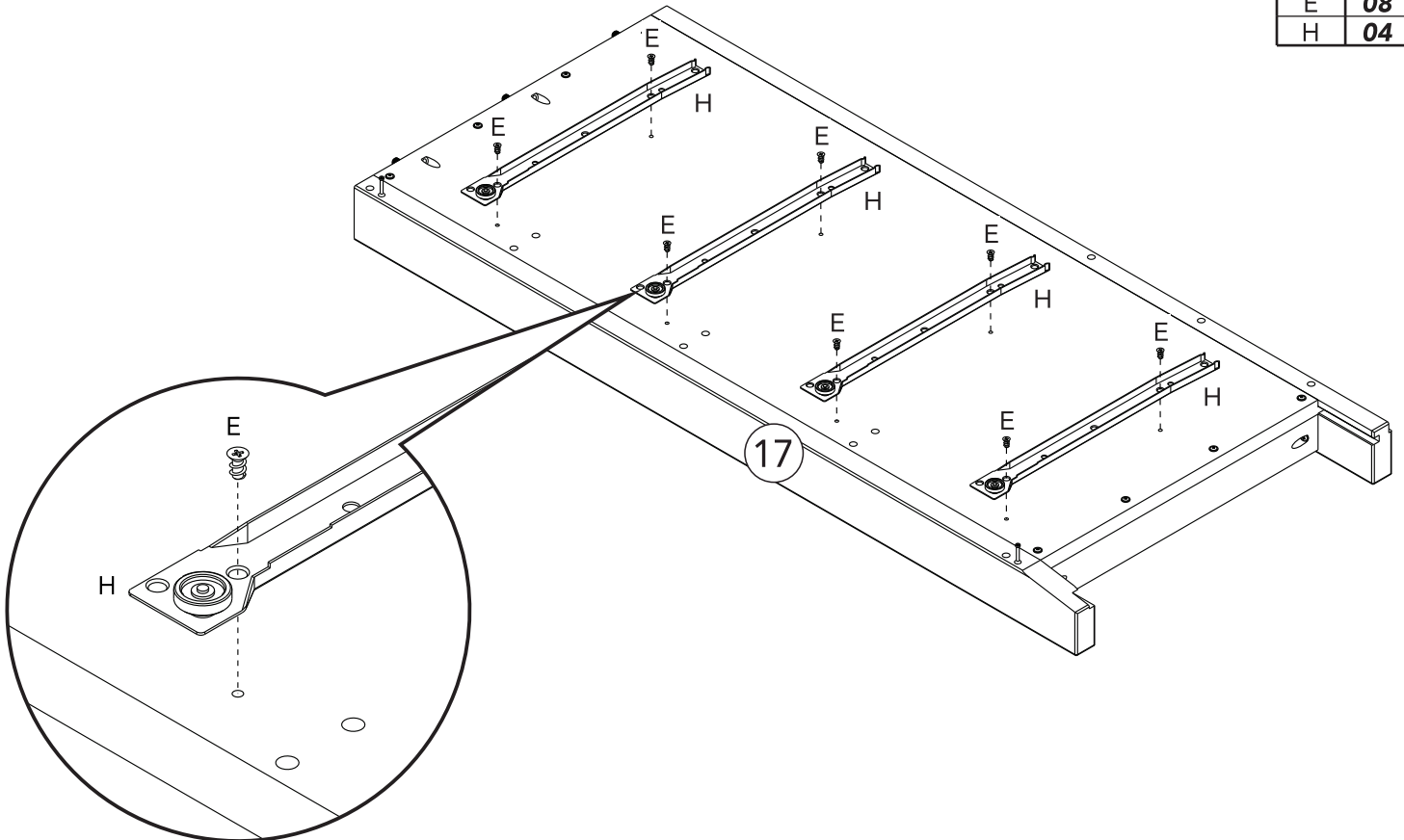
# STEP 3

Part	Qty.
1	01
E	08
K	04

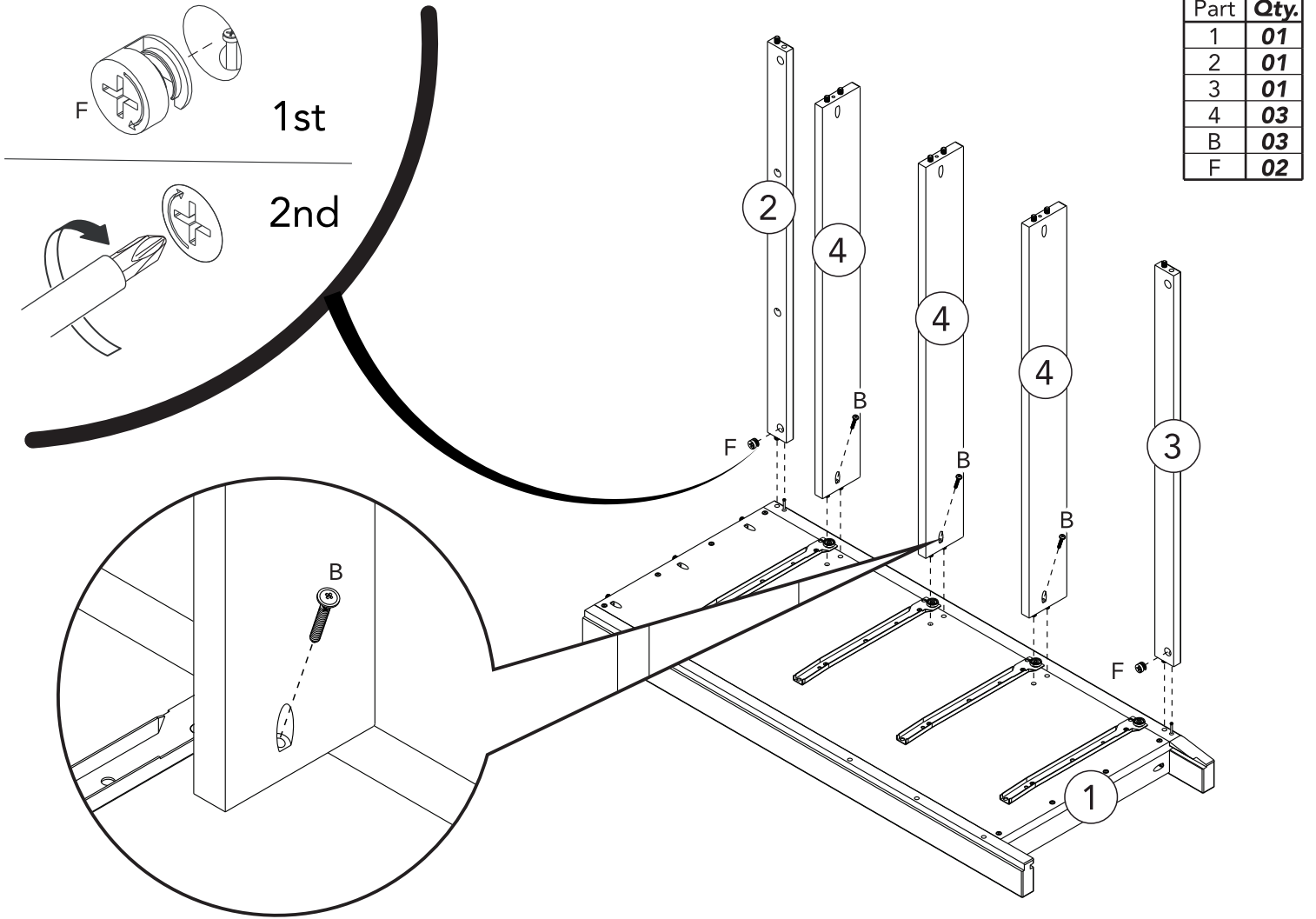


# STEP 4

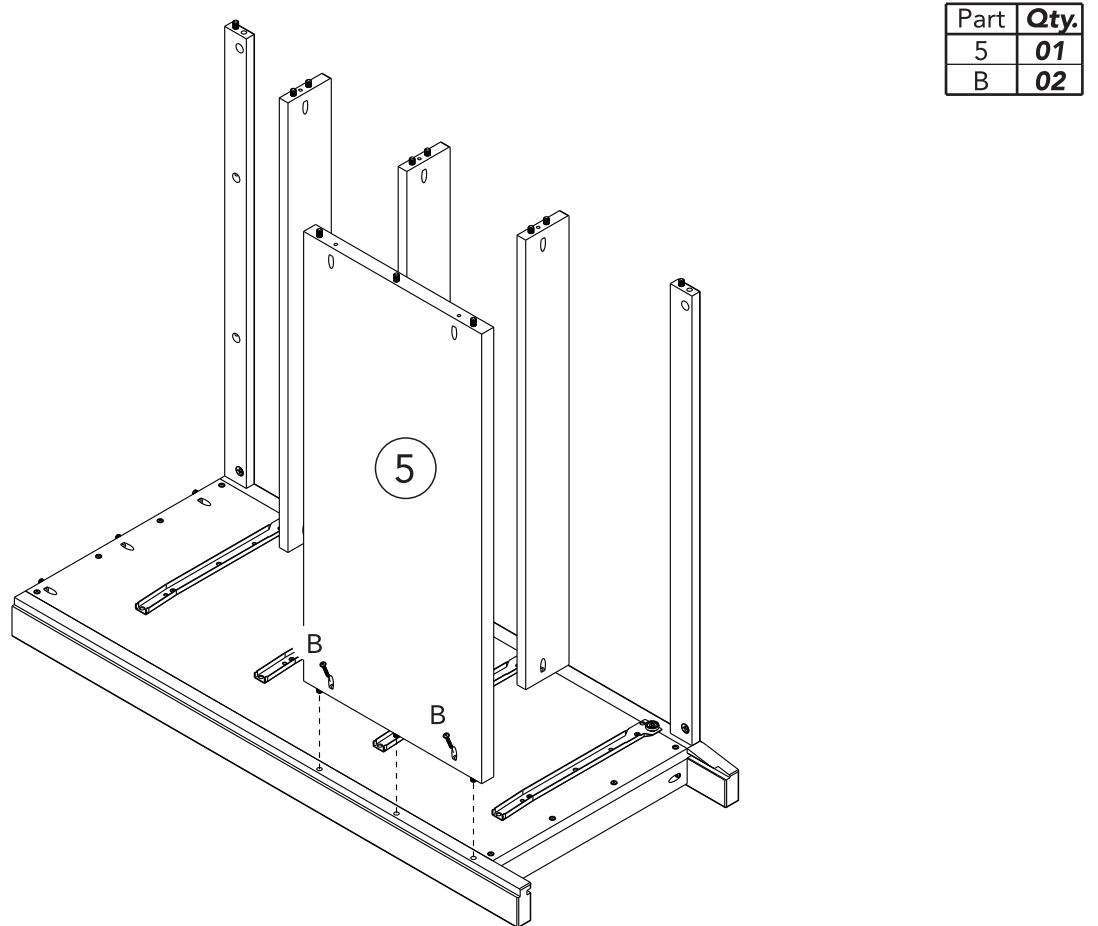
Part	Qty.
17	01
E	08
H	04



# STEP 5

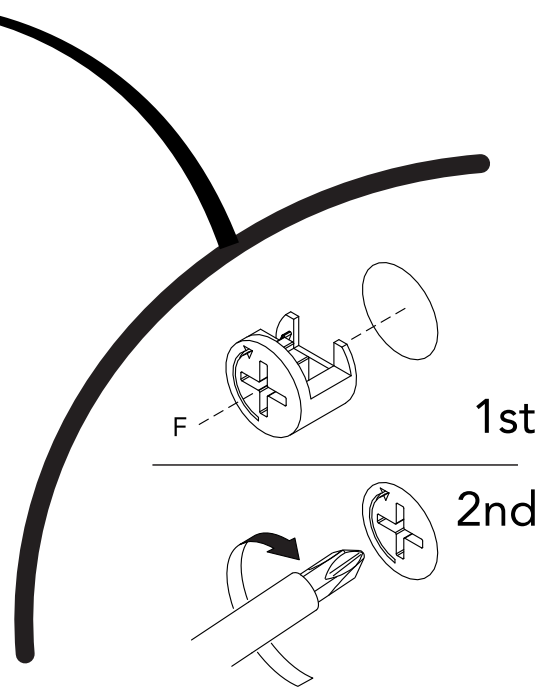
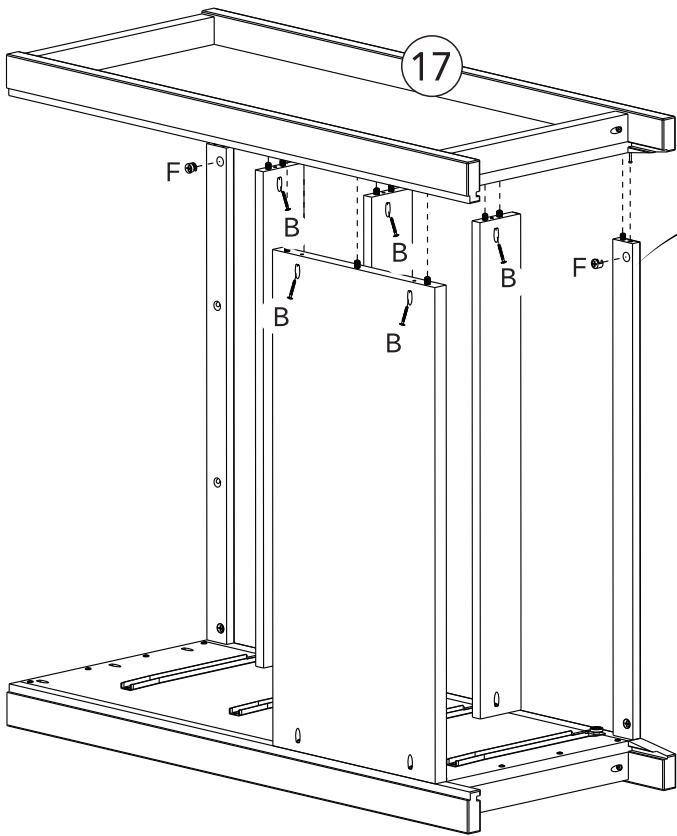


# STEP 6



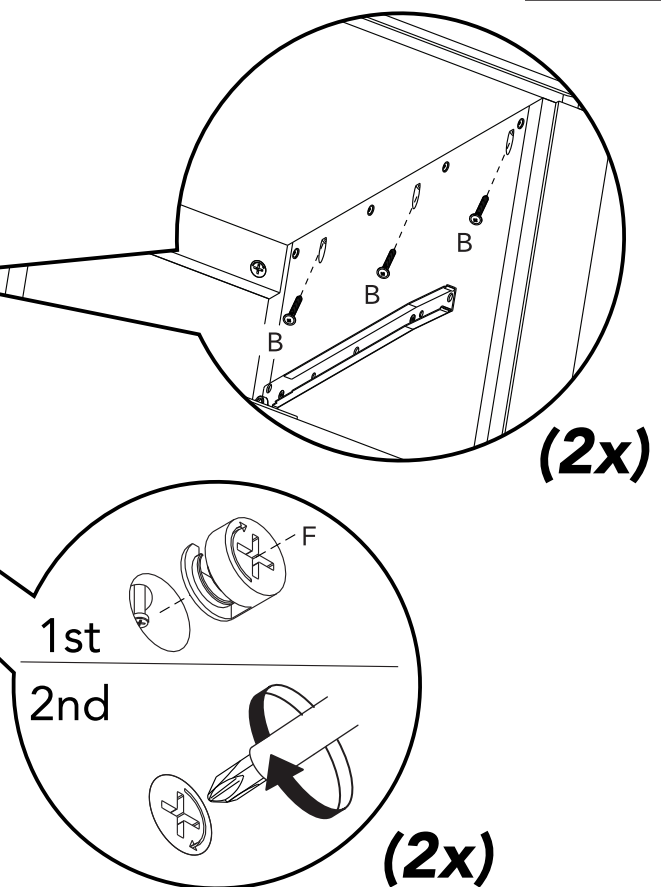
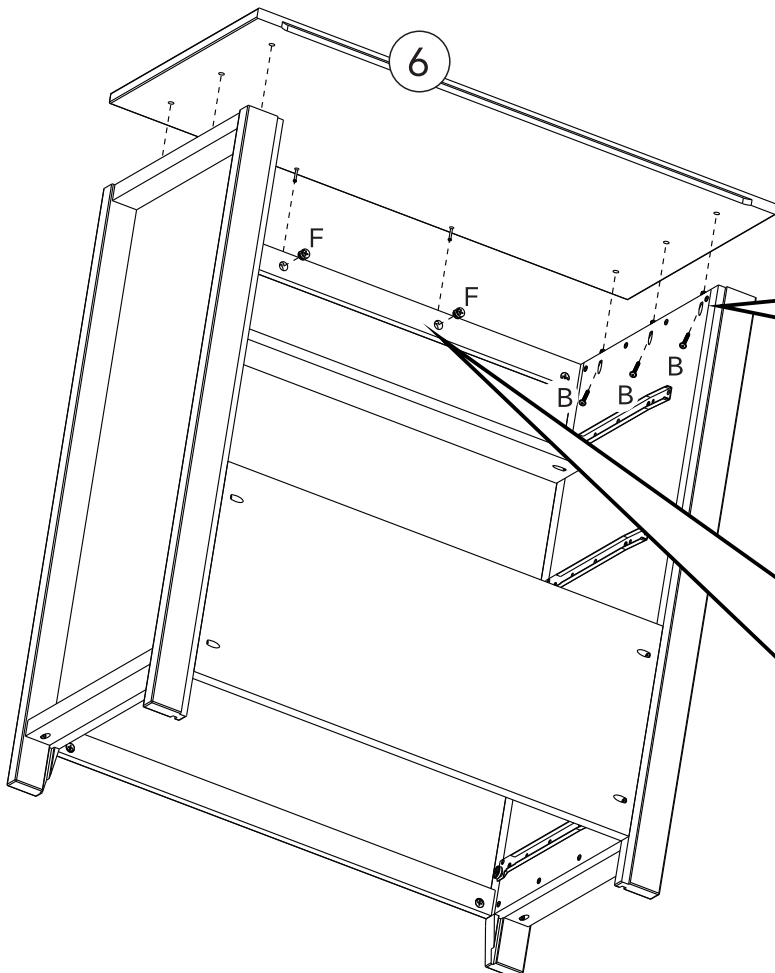
# STEP 7

Part	Qty.
17	01
B	05
F	02



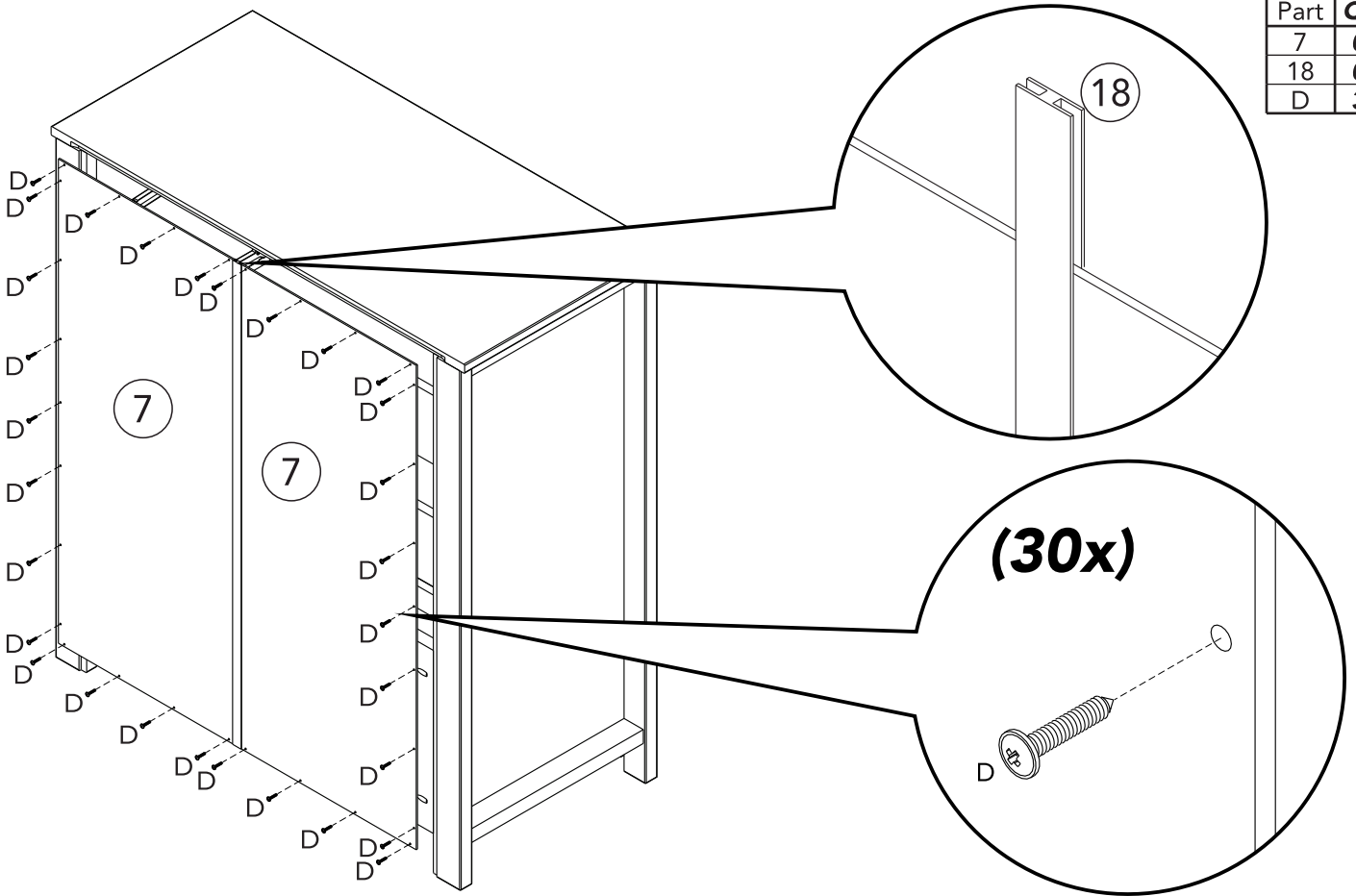
# STEP 8

Part	Qty.
6	01
B	06
F	02



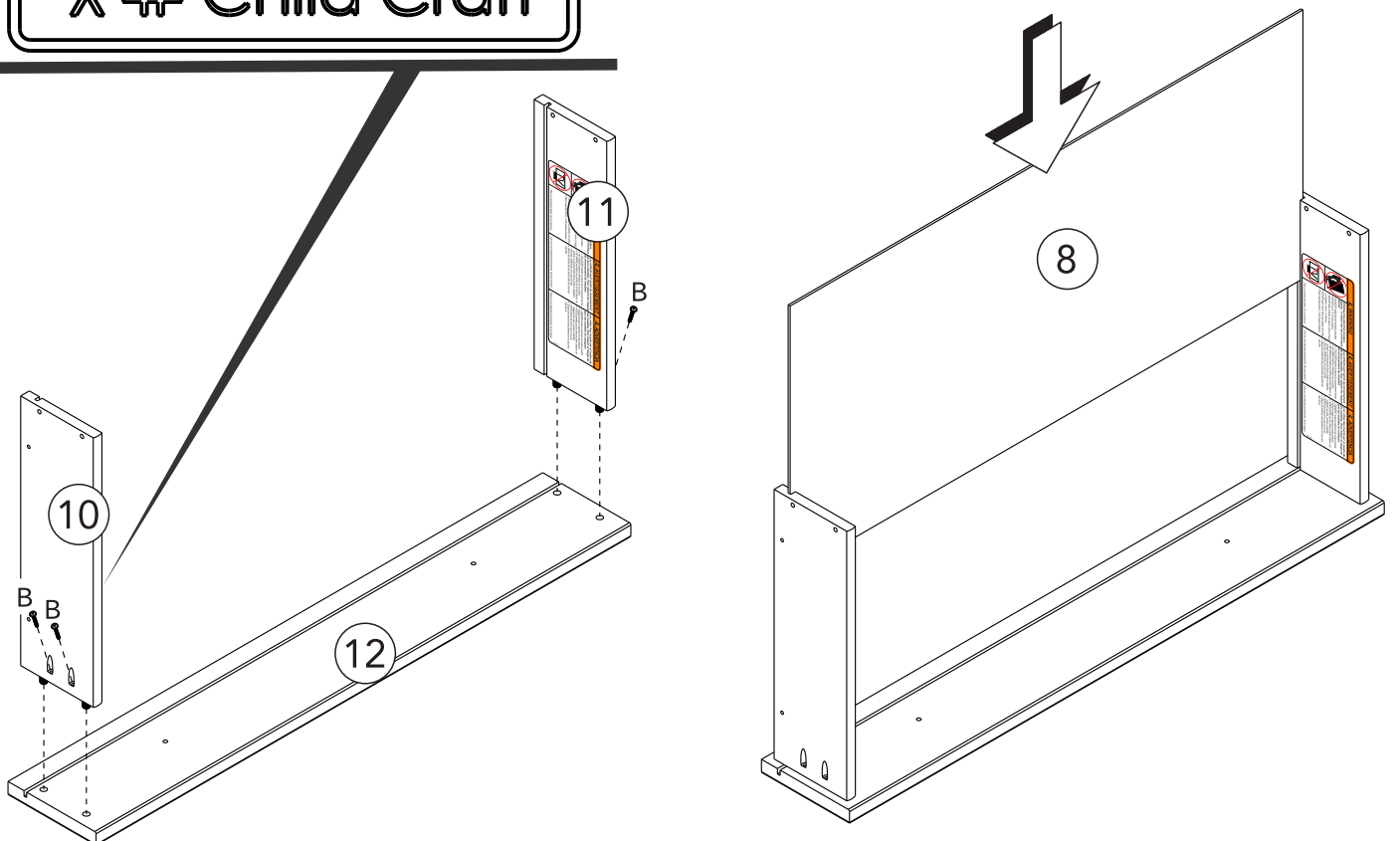
# STEP 9

Part	Qty.
7	02
18	01
D	30



# TOP DRAWER - STEP 1

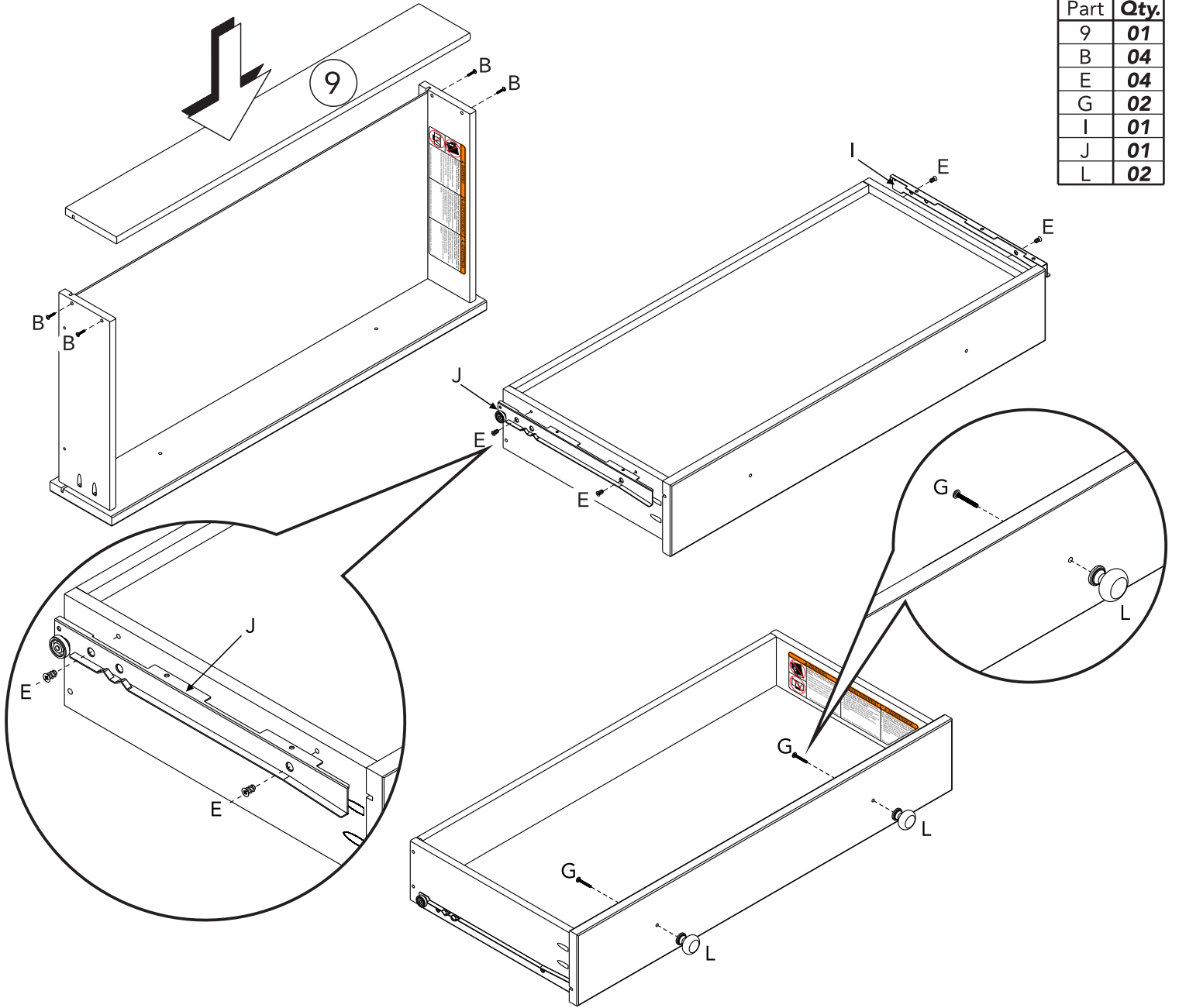
Part	Qty.
8	01
10	01
11	01
12	01
B	04





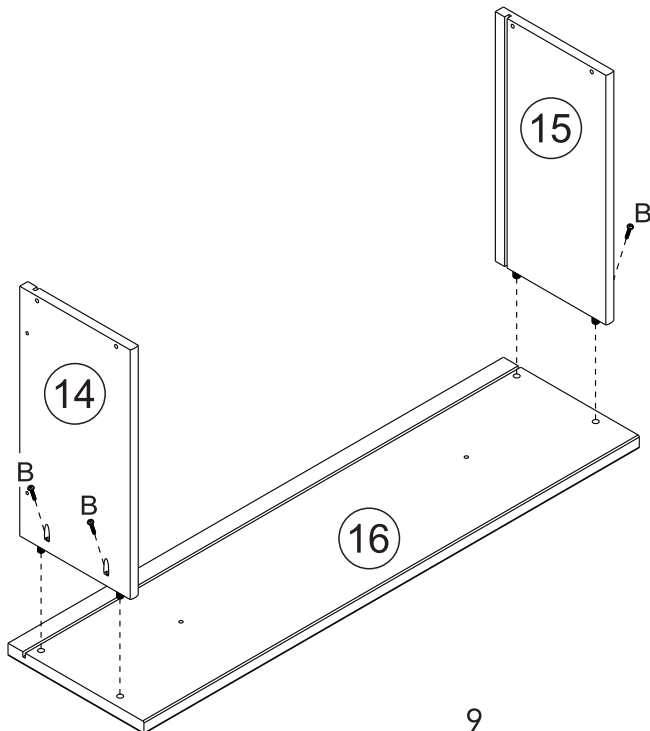
# TOP DRAWER - STEP 2

Part	Qty.
9	01
B	04
E	04
G	02
I	01
J	01
L	02



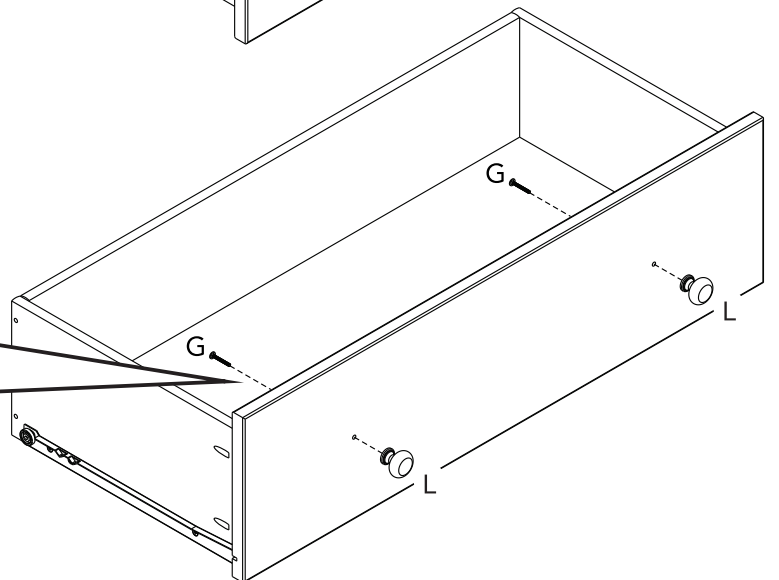
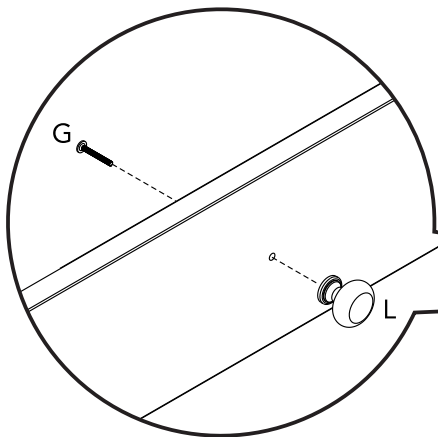
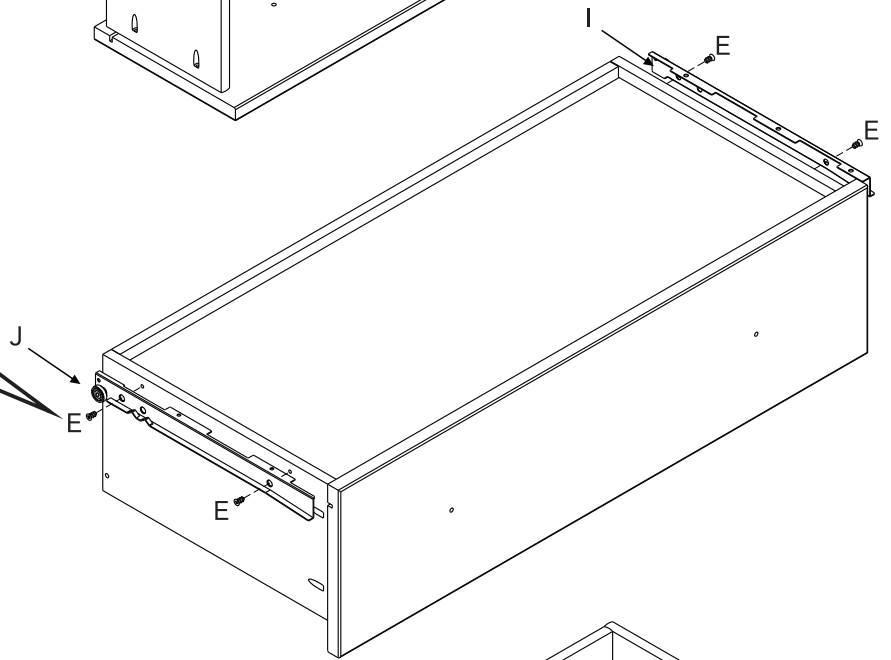
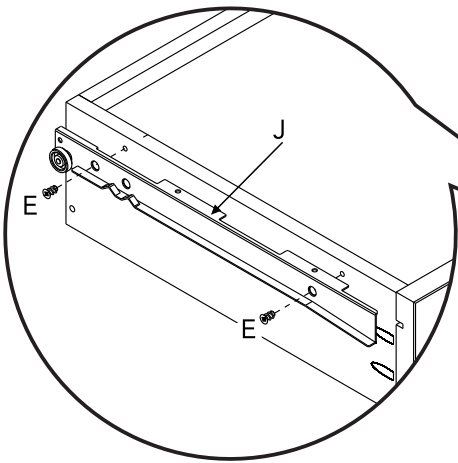
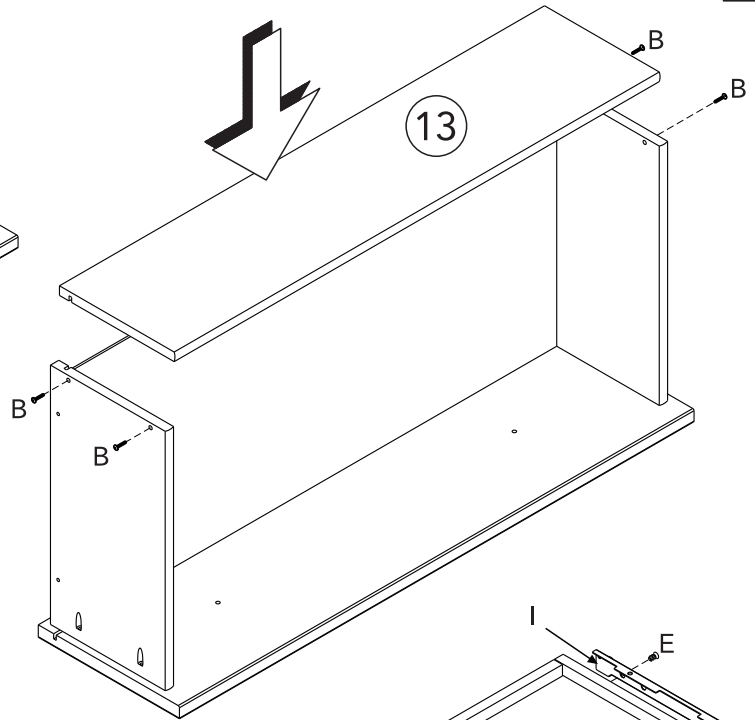
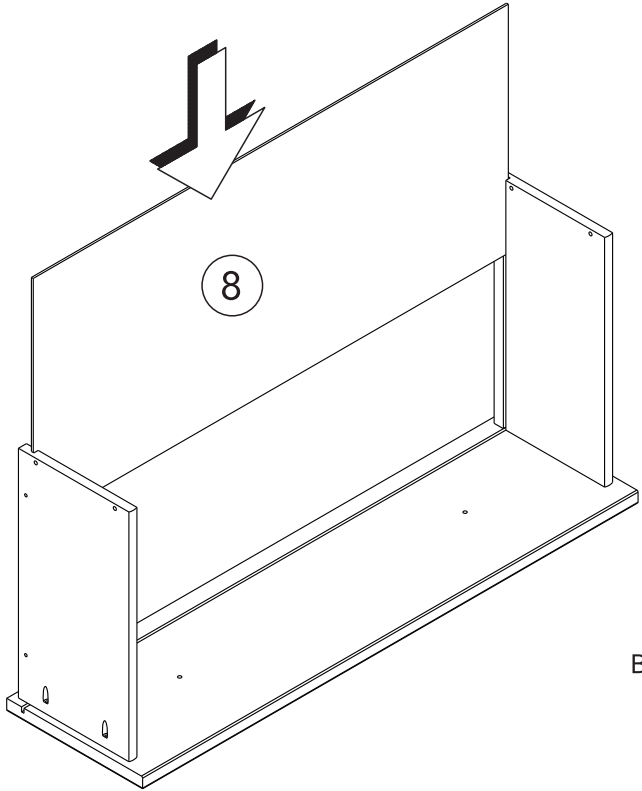
# LOWER DRAWERS - STEP 1 (x3)

Part	Qty.
14	01
15	01
16	01
B	04

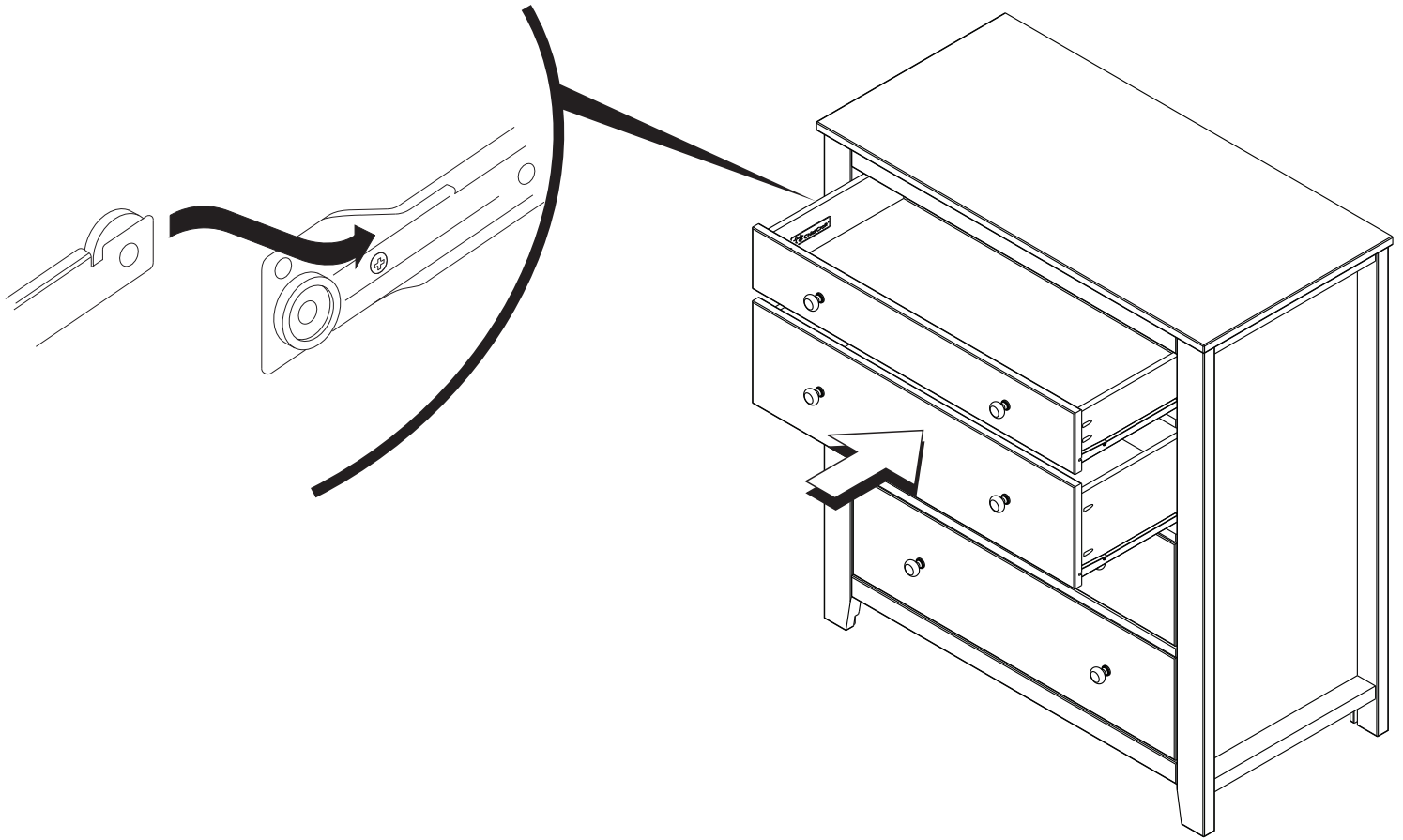


# LOWER DRAWERS - STEP 2 (x3)

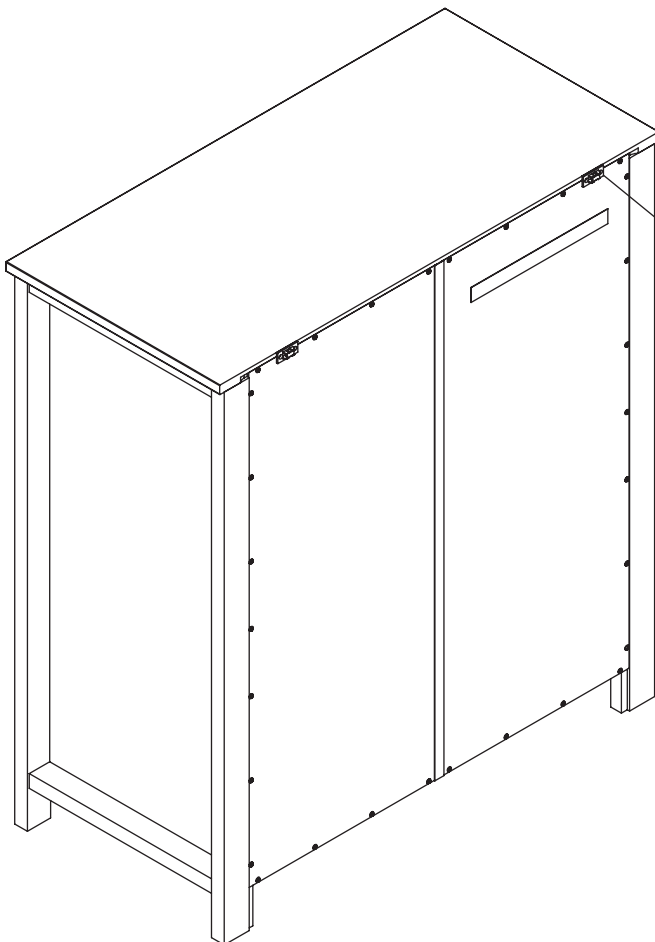
Part	Qty.
8	01
13	01
B	04
E	04
G	02
I	01
J	01
L	02



## DRAWER INSTALLATION



## ANTI TIP KIT ALIGNMENT



For Anti Tip Kit Installation, Anti Tip Bracket should be placed about 125 mm from side edges of the chest.

Please refer to Anti Tip Kit instructions for install.

# **WARNING**

Serious or fatal crushing injuries can occur from furniture tipover. To help prevent tipover:

- Install tipover restraint provided.
- Place heaviest items in the lower drawers.
- Do not set TVs or other heavy objects on the top of this product.
- Never allow children to climb or hang on drawers, doors, or shelves.
- Never open more than one drawer at a time.

Use of tipover restraints may only reduce, but not eliminate, the risk of tipover.

## **MAINTENANCE, CLEANING, AND STORAGE**

### **MAINTENANCE:**

Upon completion of the assembly, check to make sure all screws, bolts and connectors are tightened and secure. Periodically check furniture for damaged hardware, loose joints, missing parts or sharp edges before and after assembly and frequently during use.

DO NOT use furniture if any parts are missing or broken.

If any parts are missing, broken or you need assistance DO NOT return furniture to your dealer.

Call Child Craft at 330-723-0599 and include model identification numbers recorded on page 1.

DO NOT substitute parts.

### **CLEANING:**

Mix a mild solution of gentle dishwashing soap and water, apply to surface using a clean cloth lightly dampened in the solution. Rinse well with clear water using a soft clean cloth, then dry all surfaces with a soft dry cloth.

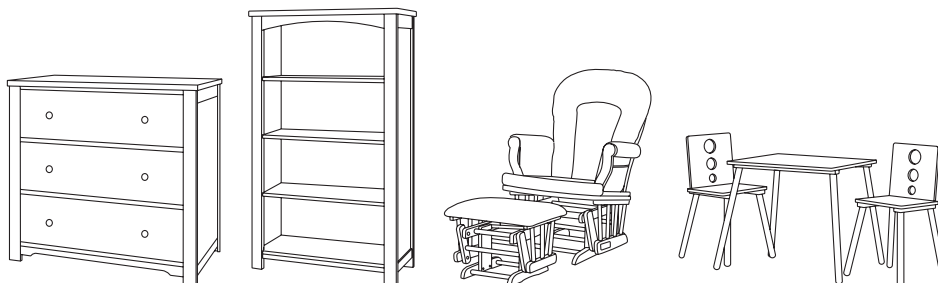
DO NOT use abrasive cleaners or any cleaners with harsh chemicals that would contact a child's skin, scouring pads, steel wool or coarse rags. This furniture should be treated the same as any fine furniture.

### **STORAGE:**

When storing furniture use caution as extreme temperature or humidity changes could be harmful.

Use caution when a vaporizer is in use. Always aim vapor stream away from furniture as well as away from any wood furniture item.

**After completing the assembly, the user is advised to read and be aware of ALL WARNINGS, CAUTIONS, CLEANING, STORAGE USE AND MAINTENANCE. Please store the complete set of assembly directions for future referral.**



Shop More for Your

**Nursery, Toddler,  
Playroom & Beyond**



5216 Portside Dr.  
Medina, Ohio 44256 USA  
Telephone: 330.723.0599  
Fax: 330.722.5037  
www.childcraftbaby.com

IMPORTED BY:  
Foundations Worldwide Inc.  
30 Casebridge Court  
Scarborough, ON M1B 3M5 CAN  
330.722.5033