

## Ocean Grove Dresser

**Model Covered: F05509**

**KEEP INSTRUCTIONS FOR FUTURE USE.**

**FOR CUSTOMER SERVICE CALL 330-723-0599. DO NOT CALL RETAILER OR RESELLER FOR SERVICE AS THEY ARE NOT AUTHORIZED TO RESOLVE ANY SERVICE ISSUES.**

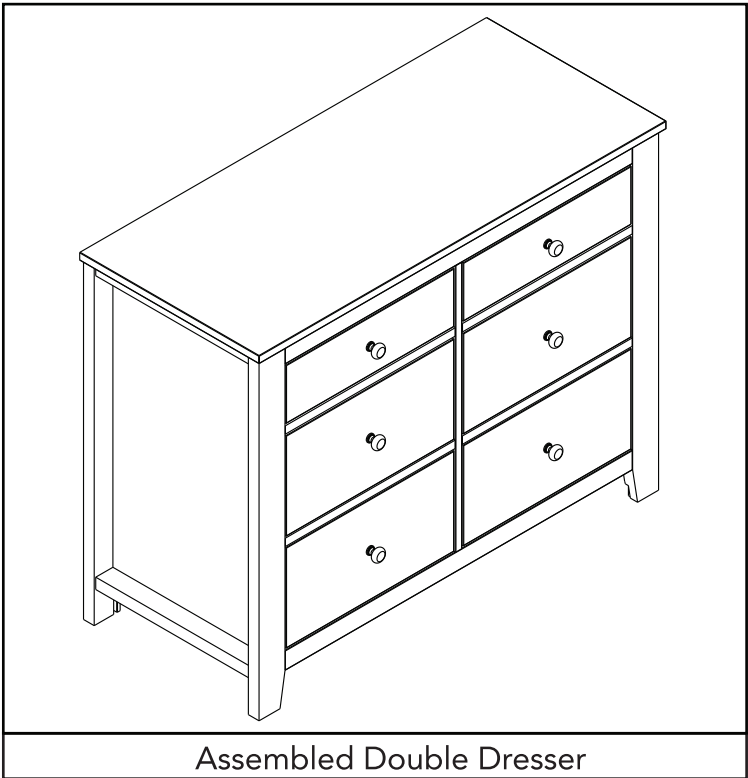
**FOR WARRANTY AND FEDERAL SAFETY STANDARD COMPLIANCE CERTIFICATES, PLEASE VISIT OUR WEBSITE AT [www.childcraftbaby.com](http://www.childcraftbaby.com)**

### ASSEMBLY ASSISTANCE

**IMPORTANT: Retain for future reference and read carefully.**

Child Craft strives for the highest quality in our products but occasionally a missing part or problem can occur during assembly.

If any parts are missing or broken or you need assistance with assembly, DO NOT return the product to your dealer. Go to our website at [www.childcraftbaby.com](http://www.childcraftbaby.com) or call Child Craft for assistance at 1-330-723-0599 (Monday through Friday, 9:00 a.m.– 4:00 p.m. Eastern Time). Please have the model number and manufacture date available when you call or write us at:  
 Child Craft, 5216 Portside Dr., Medina, OH 44256



Assembled Double Dresser

### ASSEMBLY INSTRUCTIONS

- Adult assembly required.
- Read all instructions BEFORE assembly and USE of product.
- Unpack carton, remove packing materials, including polybag. Identify and check all parts.

Record the information for your product here:

Model number:           F05509.61          

Manufacture date:           2022 / 06          

PO number:           XXXXX          

AB20509C

## PARTS LIST

Part Description	Part Number	Qty.
1. Right Side	23103056	01
2. Bottom Front Connector Rail	23103065	01
3. Center Board	23103072	01
4. Back Board	23103066	01
5. Drawer Divider Rail	23103067	04
6. Top Front Connector Rail	23103068	01
7. Top	23103069	01
8. Bottom Back Cover	23103071	01
9. Top Back Cover	23103070	01
10. Bottom Drawer Front	23103080	04
11. Bottom Drawer Right Side	23103082	04
12. Bottom Drawer Left Side	23103081	04
13. Bottom Drawer Back	23103083	04
14. Drawer Bottom	23103079	06
15. Top Drawer Front	23103073	02
16. Top Right Drawer - Right Side	23103076	01
17. Top Right Drawer - Left Side	23103074	01
18. Top Drawer Back	23103078	02
19. Left Side	23103061	01
20. Top Left Drawer - Left Side	23103075	01
21. Top Left Drawer - Right Side	23103077	01

## HARDWARE LIST

Part Description	Part Number	Qty.
A. Wood Dowel	11201360	62
B. Flat Head Screw 45mm Long	11201479	02
C. Phillips Head Screw 30mm Long	11201133	71
D. Minifix Screw	11201358	06
E. Phillips Head Screw 16mm Long	11201451	30
F. Glide Screw	11201542	48
G. Minifix Round Nut	11201359	06
H. Euro Glide - Case Left	11201543	06
I. Euro Glide - Drawer Left	11201545	06
J. Euro Glide - Drawer Right	11201546	06
K. Euro Glide - Case Right	11201544	06
L. Drawer Knob	11201541	06
M. Screw 30mm Long	11201567	06
N. Safety Bracket Kit	11201229	01

## PREPARATION

Carefully remove and lay out all hardware and parts. Check quantities and match the parts list. Construct furniture on an even flat floor.

Note: During the assembly process whenever using screws or bolts, check each with the parts list by letter and size identification. Be sure to use the proper size specified in the assembly directions. If any parts are missing or broken or you need assistance with assembly, DO NOT return your product to the dealer. Please identify the furniture by the model number identification stamped on the assembly when you call or write to Child Craft. Make note of all identification numbers and include this information with your request.

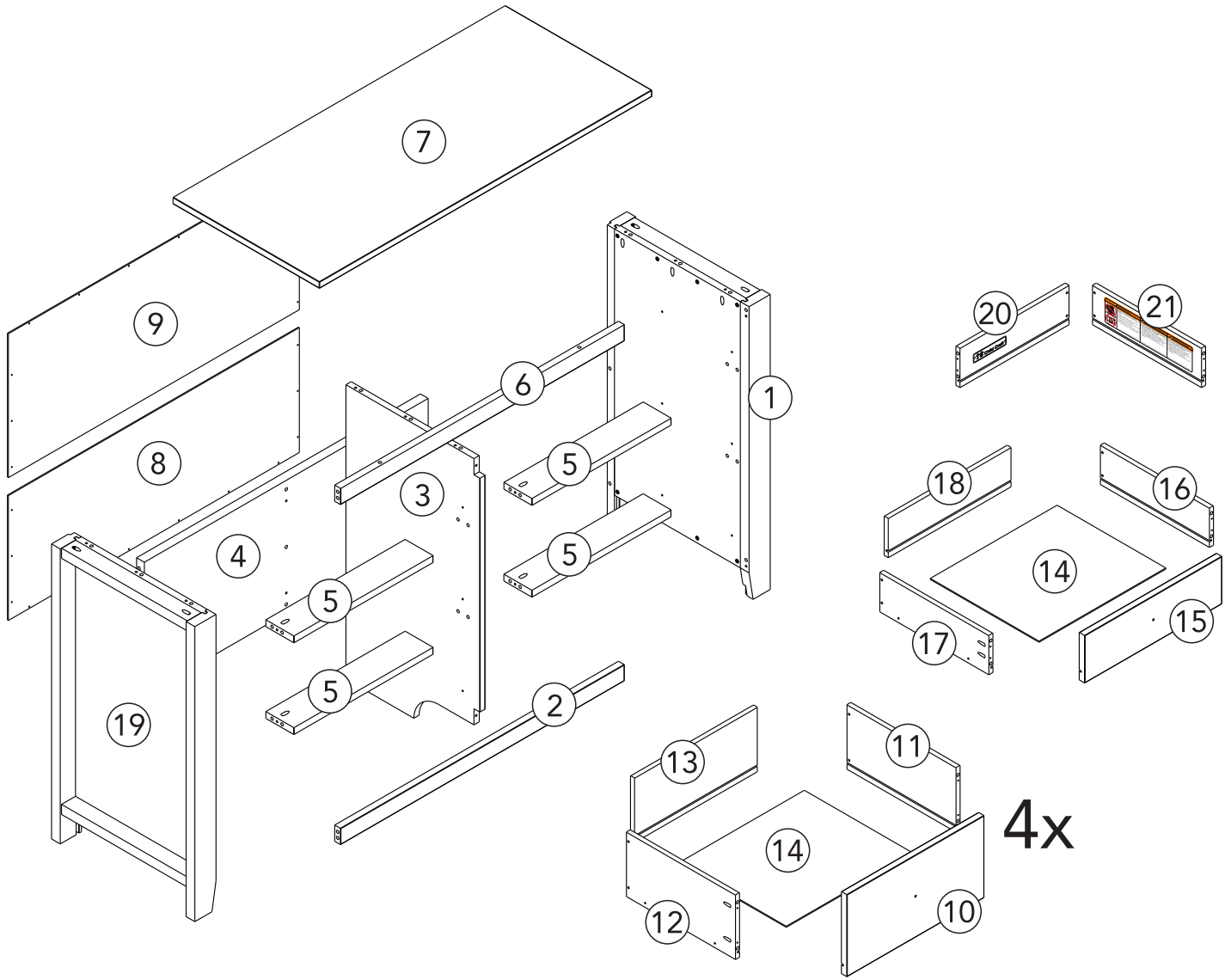
### DO NOT Substitute Parts!

**IMPORTANT NOTE: During the assembly process, it may be necessary to temporarily loosen fasteners installed in an earlier step to allow adjustments in proper alignment for other parts. Always remember to retighten securely after this process.**

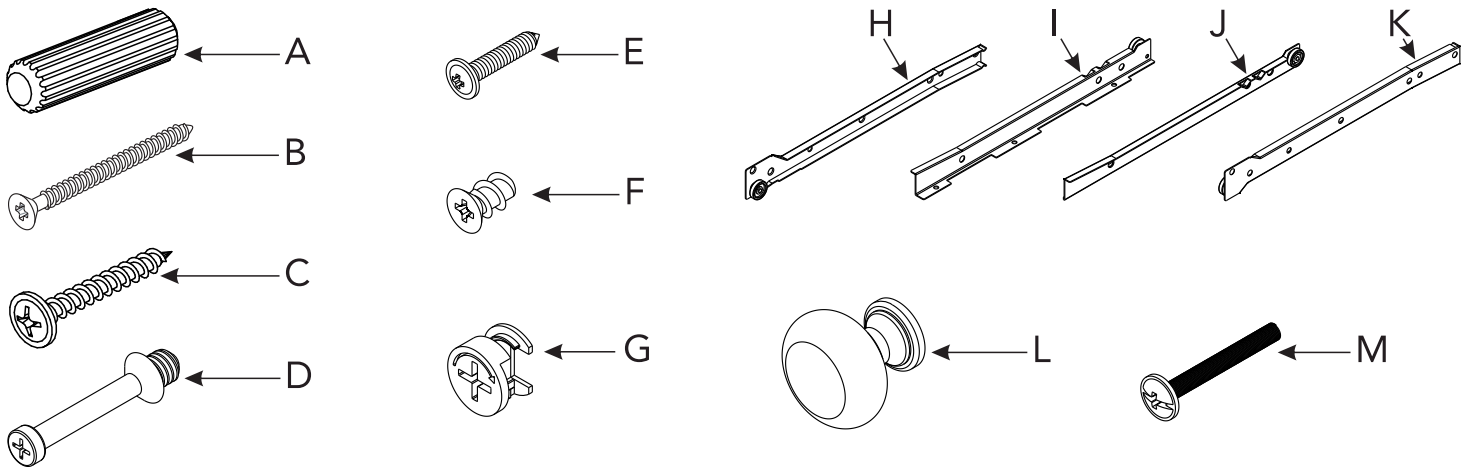
## SUGGESTED TOOLS

#2 Phillips Screwdriver

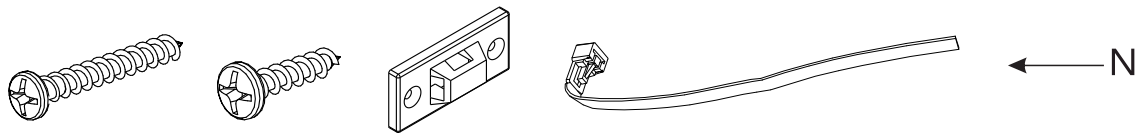
# Furniture Parts



# Hardware Package

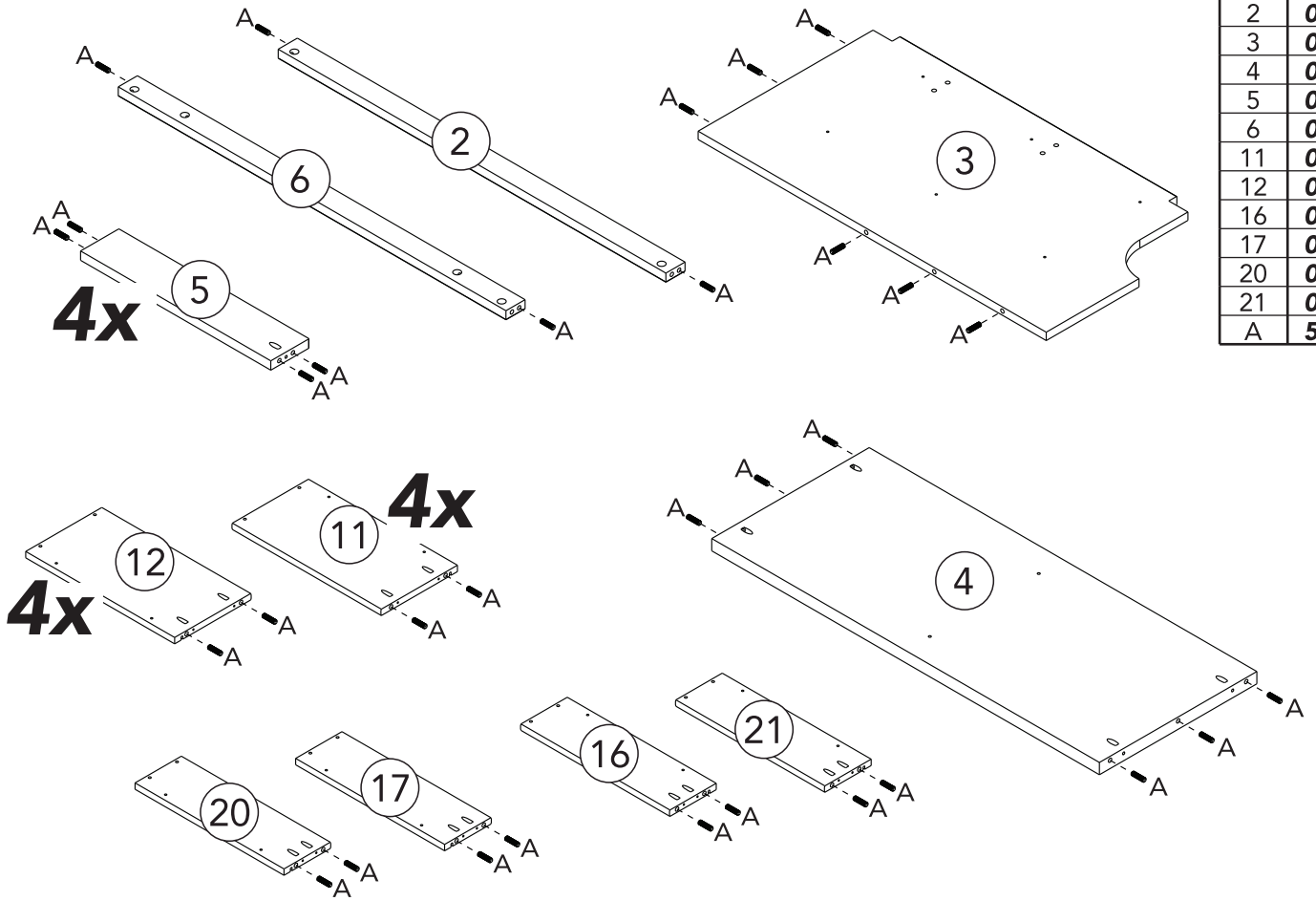


# Safety Bracket Kit



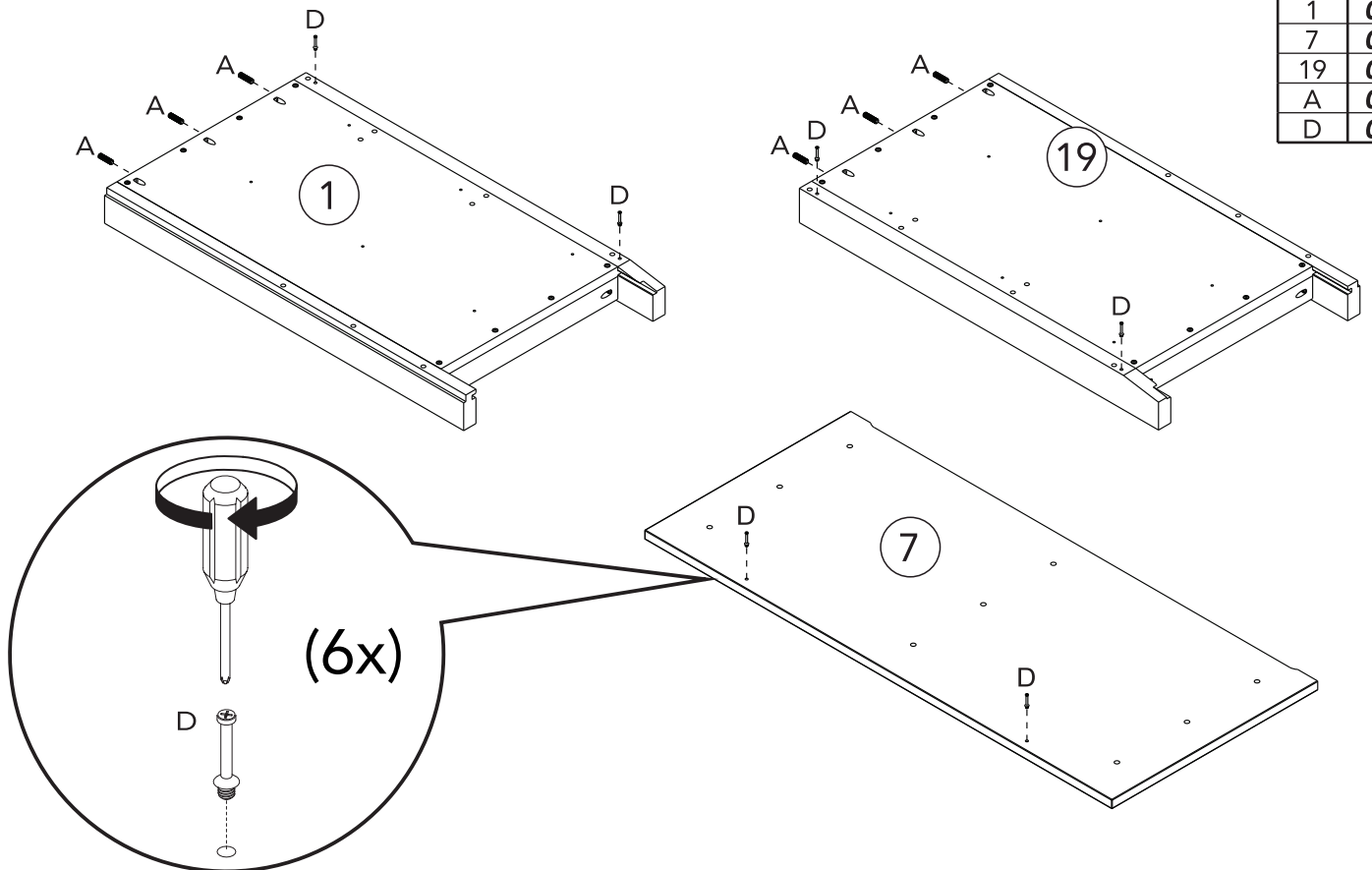
# STEP 1

Part	Qty.
2	01
3	01
4	01
5	04
6	01
11	04
12	04
16	01
17	01
20	01
21	01
A	56

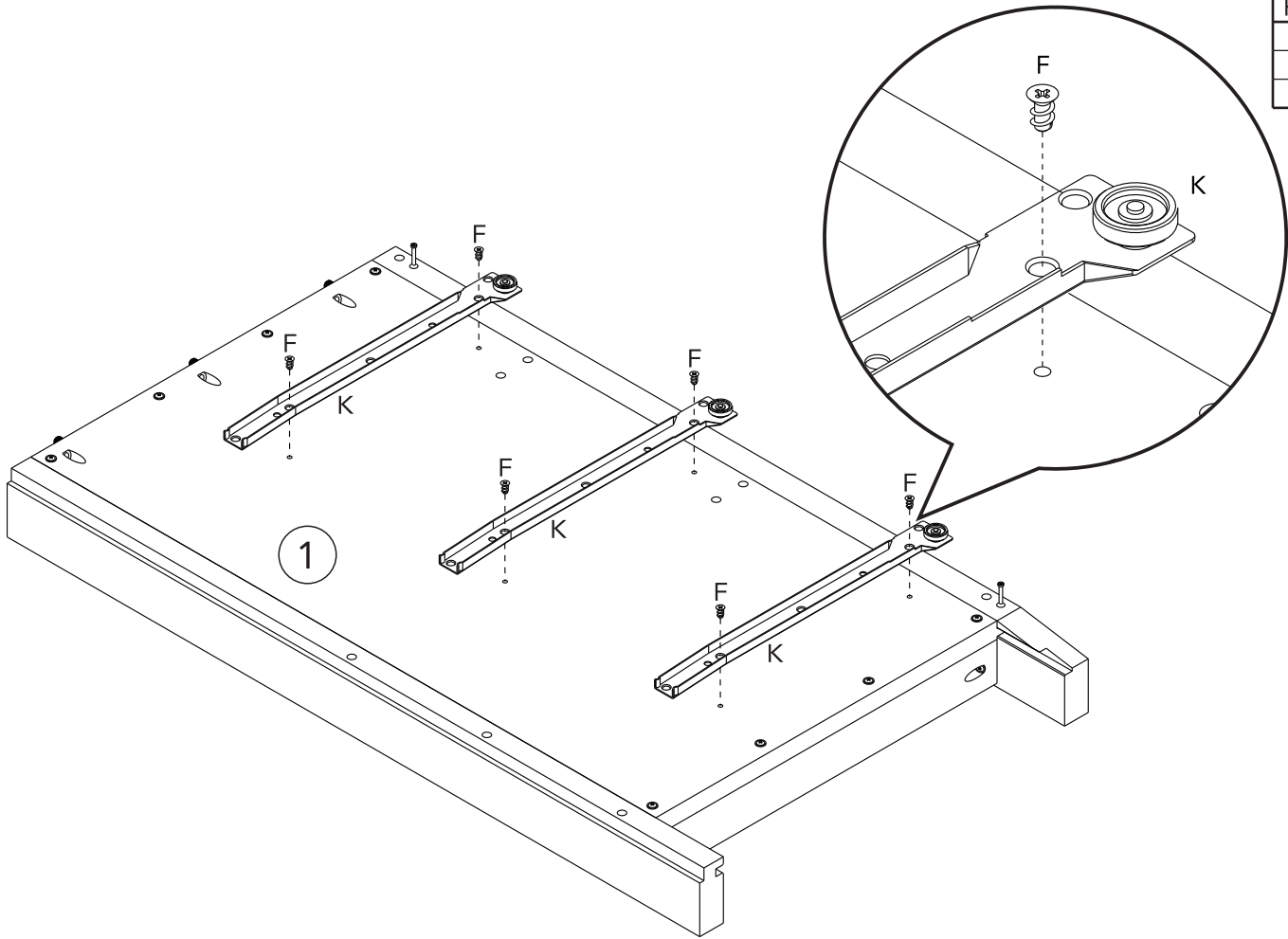


# STEP 2

Part	Qty.
1	01
7	01
19	01
A	06
D	06

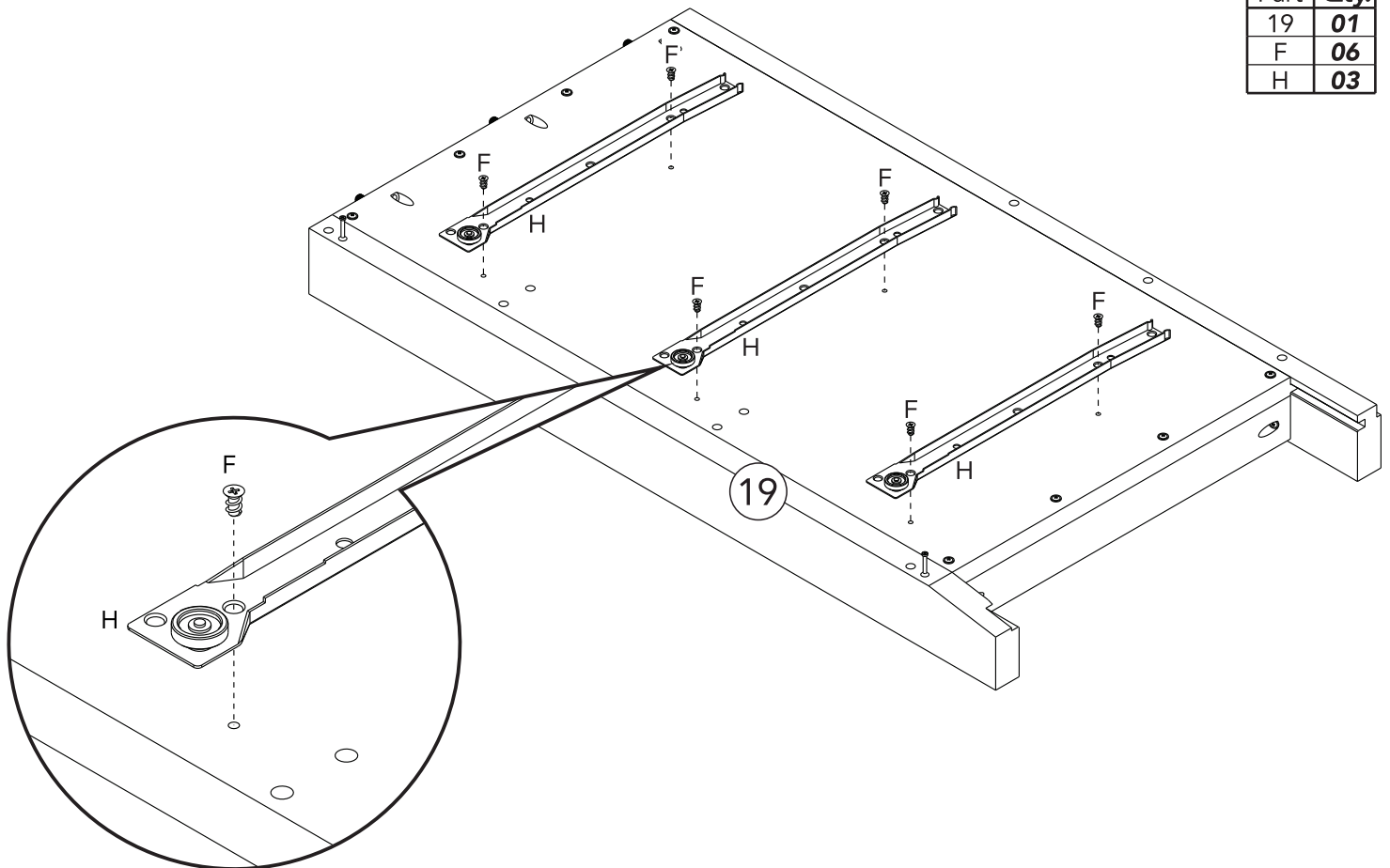


# STEP 3



Part	Qty.
1	01
F	06
K	03

# STEP 4

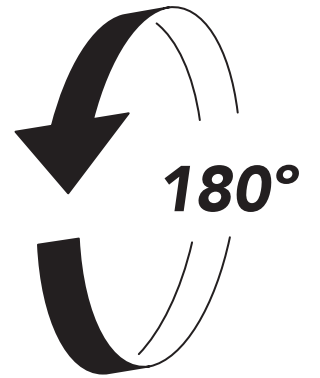
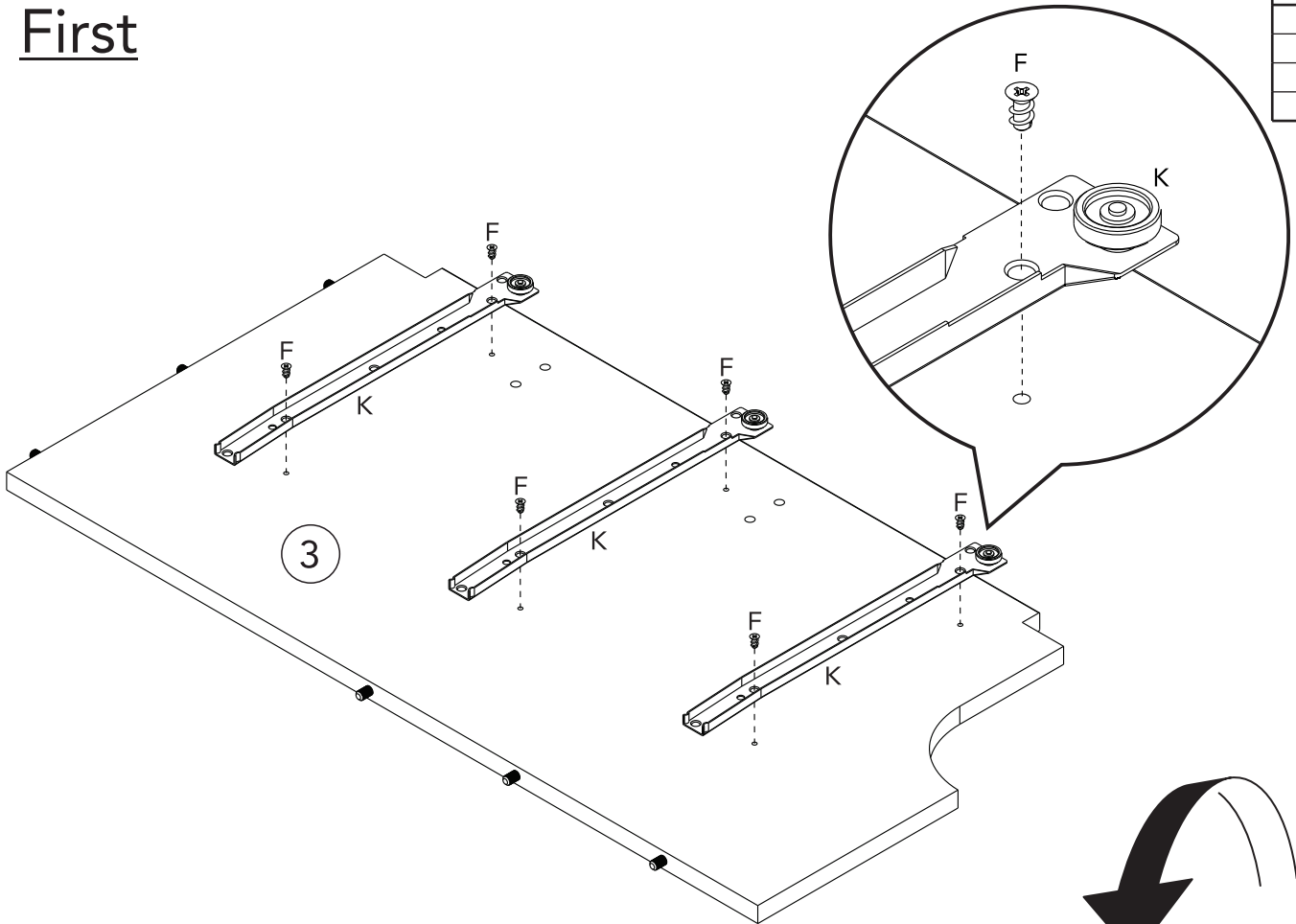


Part	Qty.
19	01
F	06
H	03

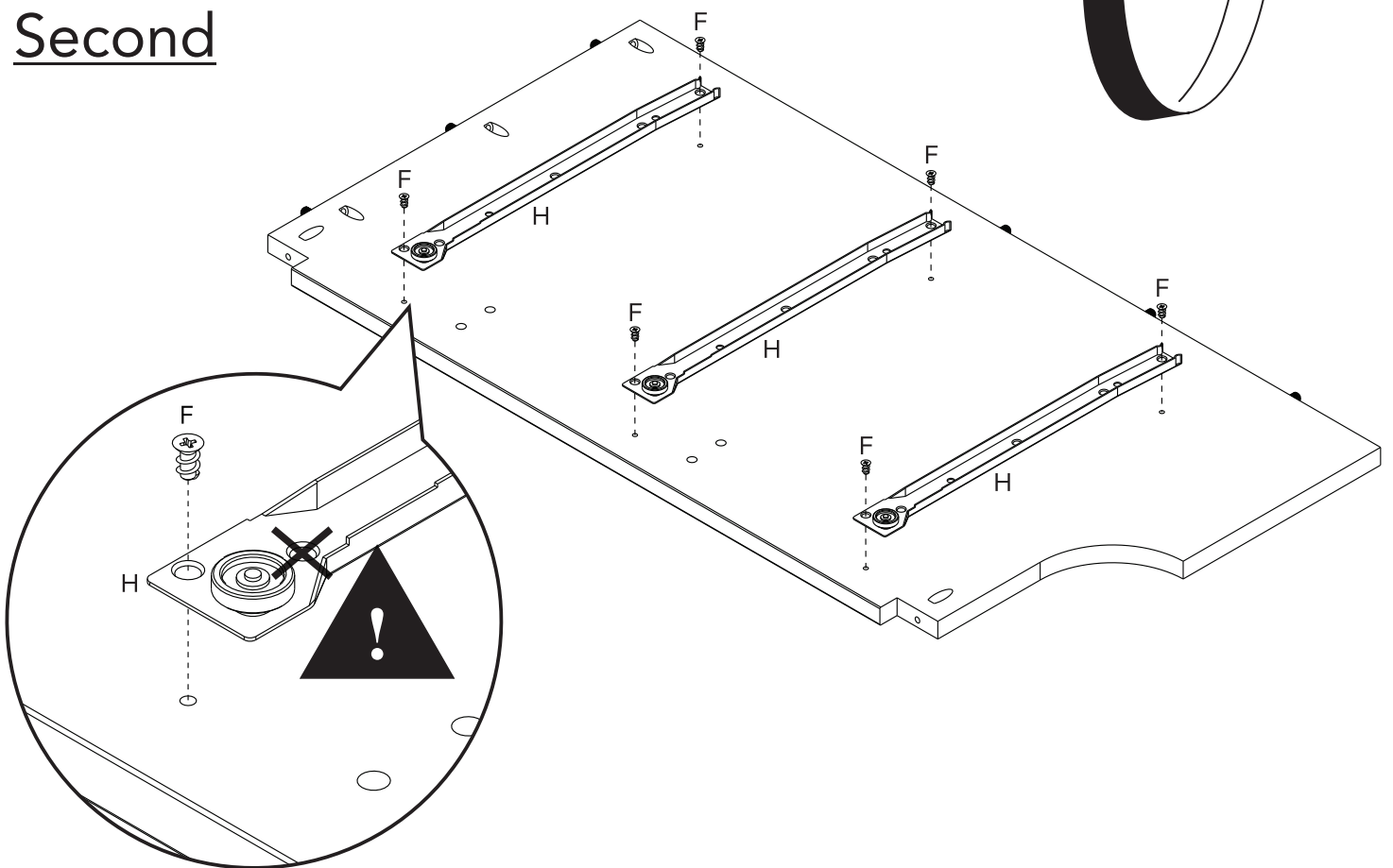
# STEP 5

## First

Part	Qty.
3	01
F	12
H	03
K	03

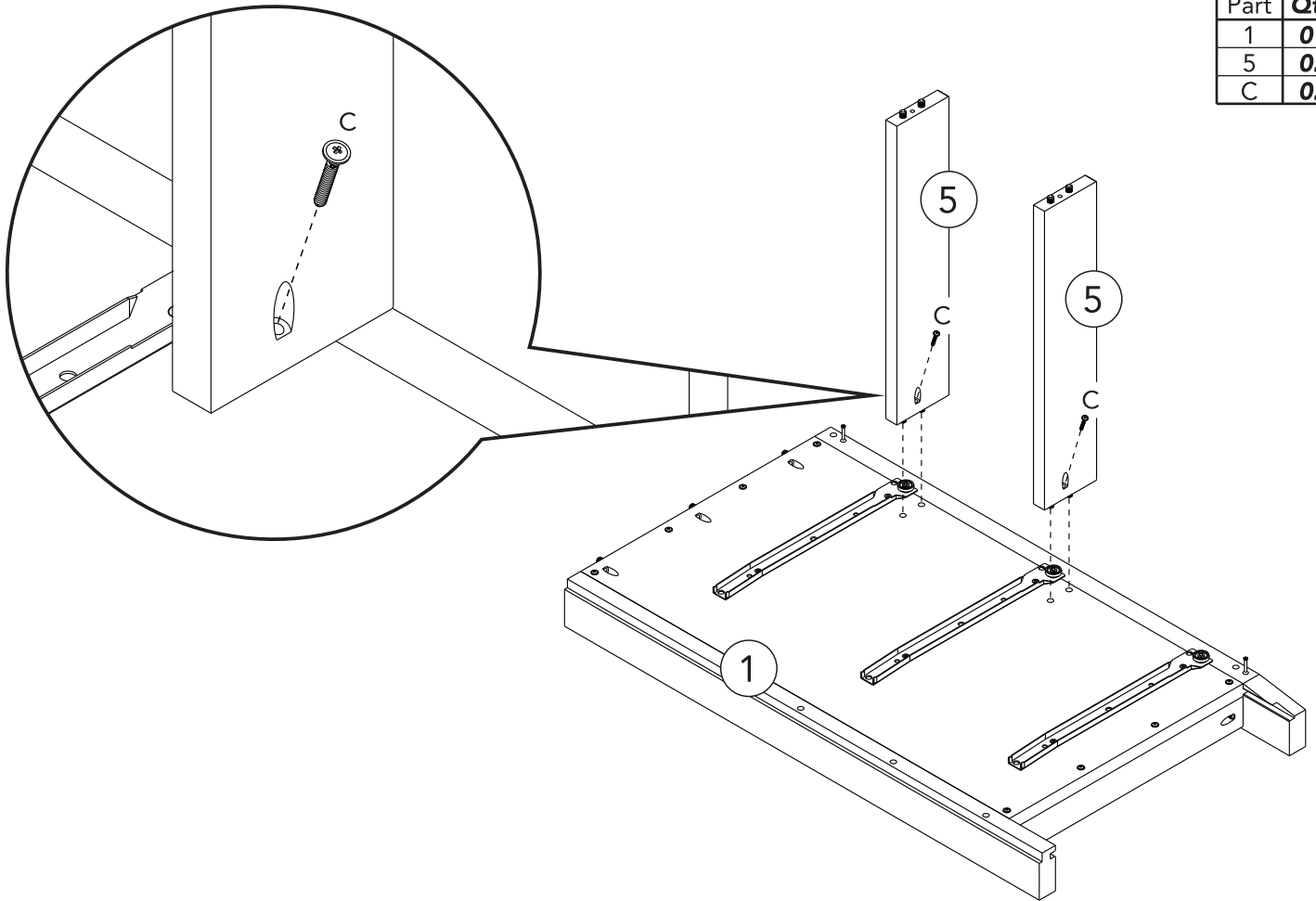


## Second



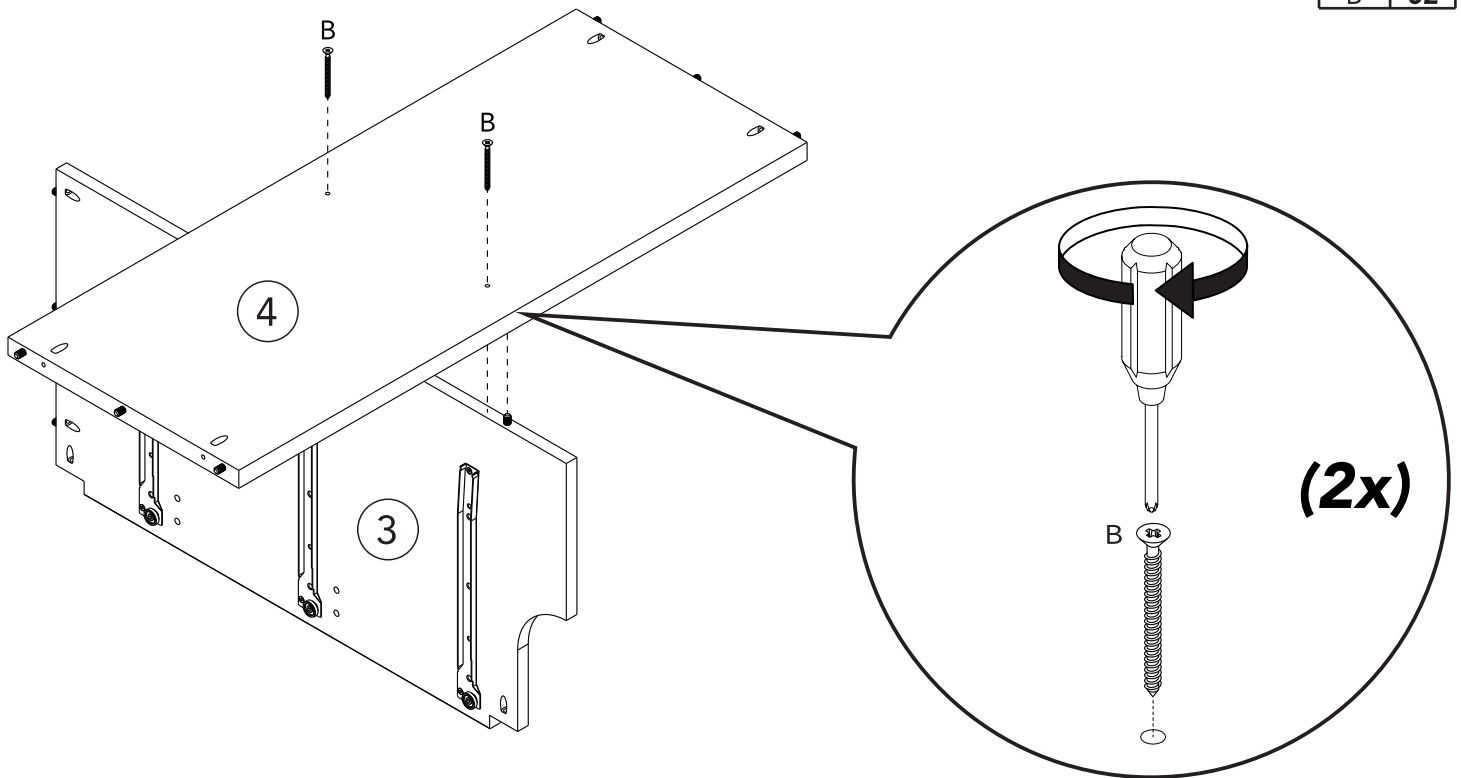
# STEP 6

Part	Qty.
1	01
5	02
C	02



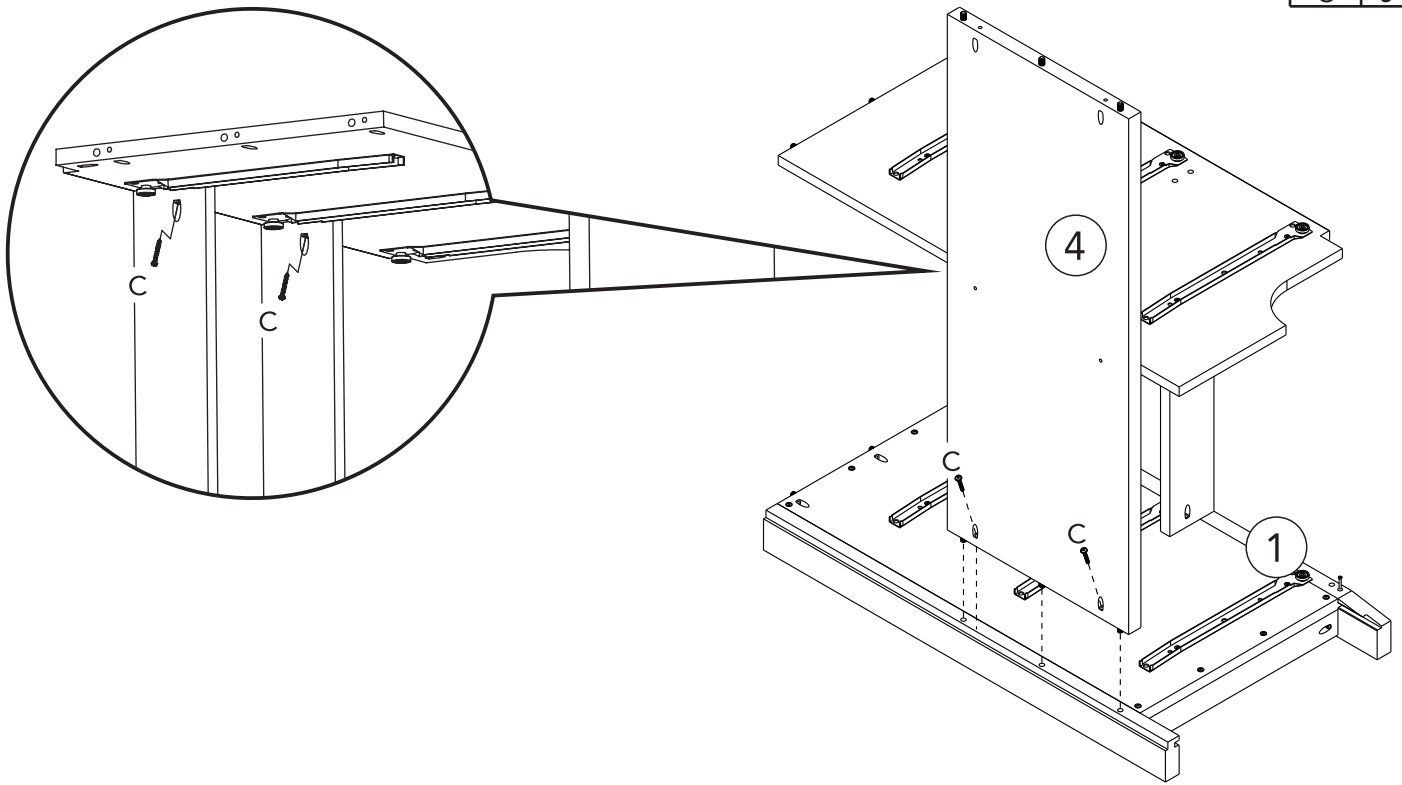
# STEP 7

Part	Qty.
3	01
4	01
B	02



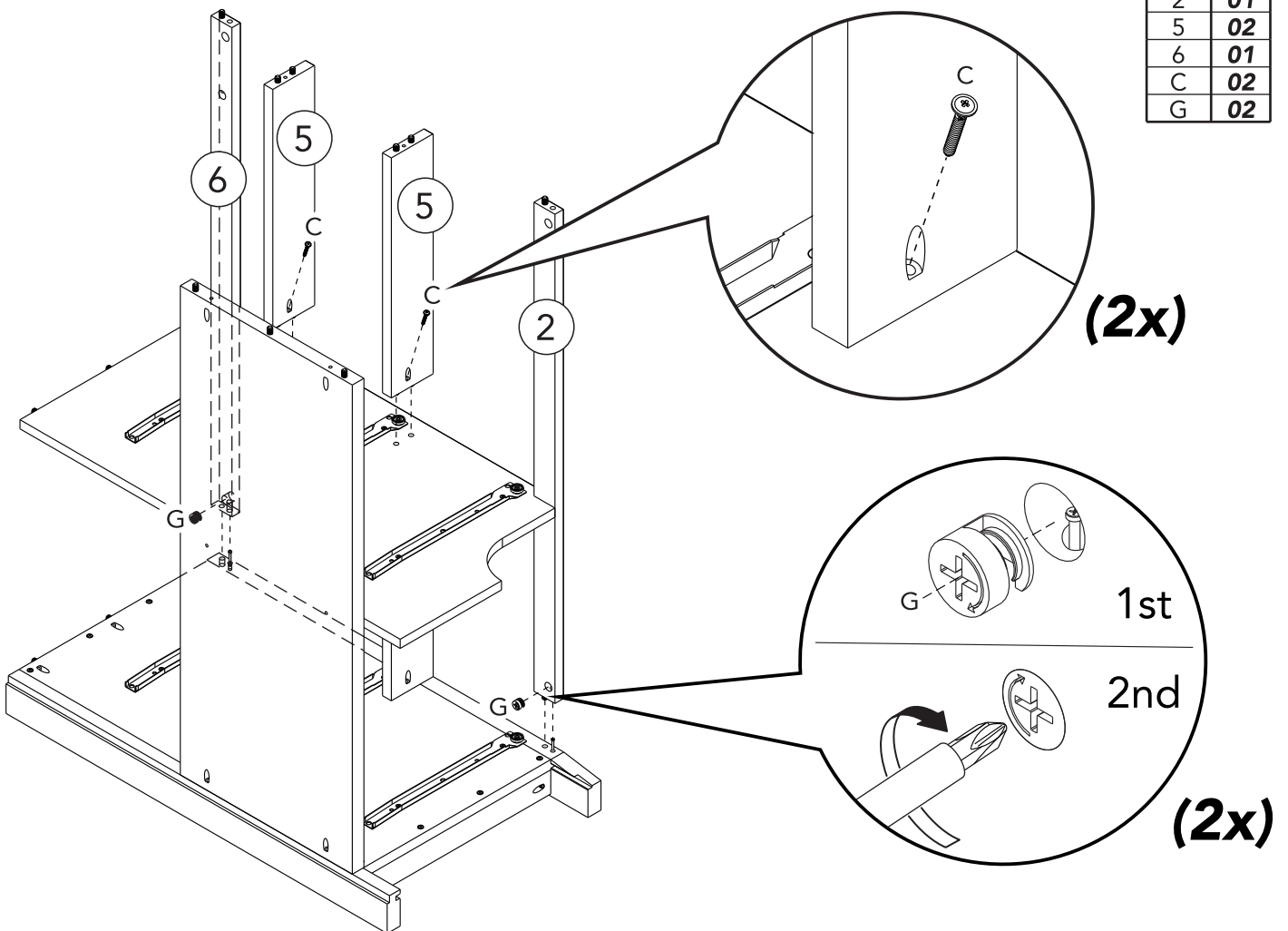
# STEP 8

Part	Qty.
C	04



# STEP 9

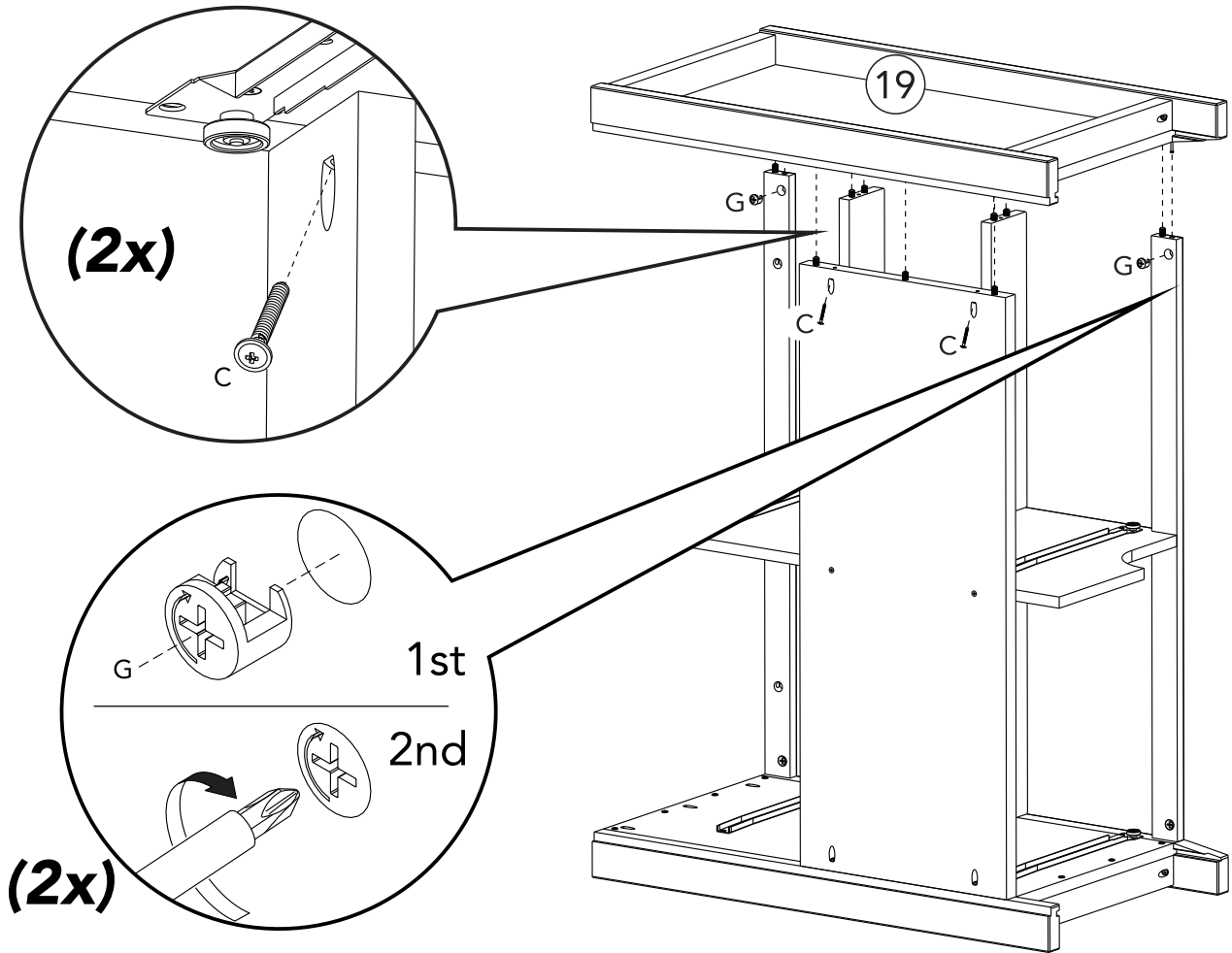
Part	Qty.
2	01
5	02
6	01
C	02
G	02





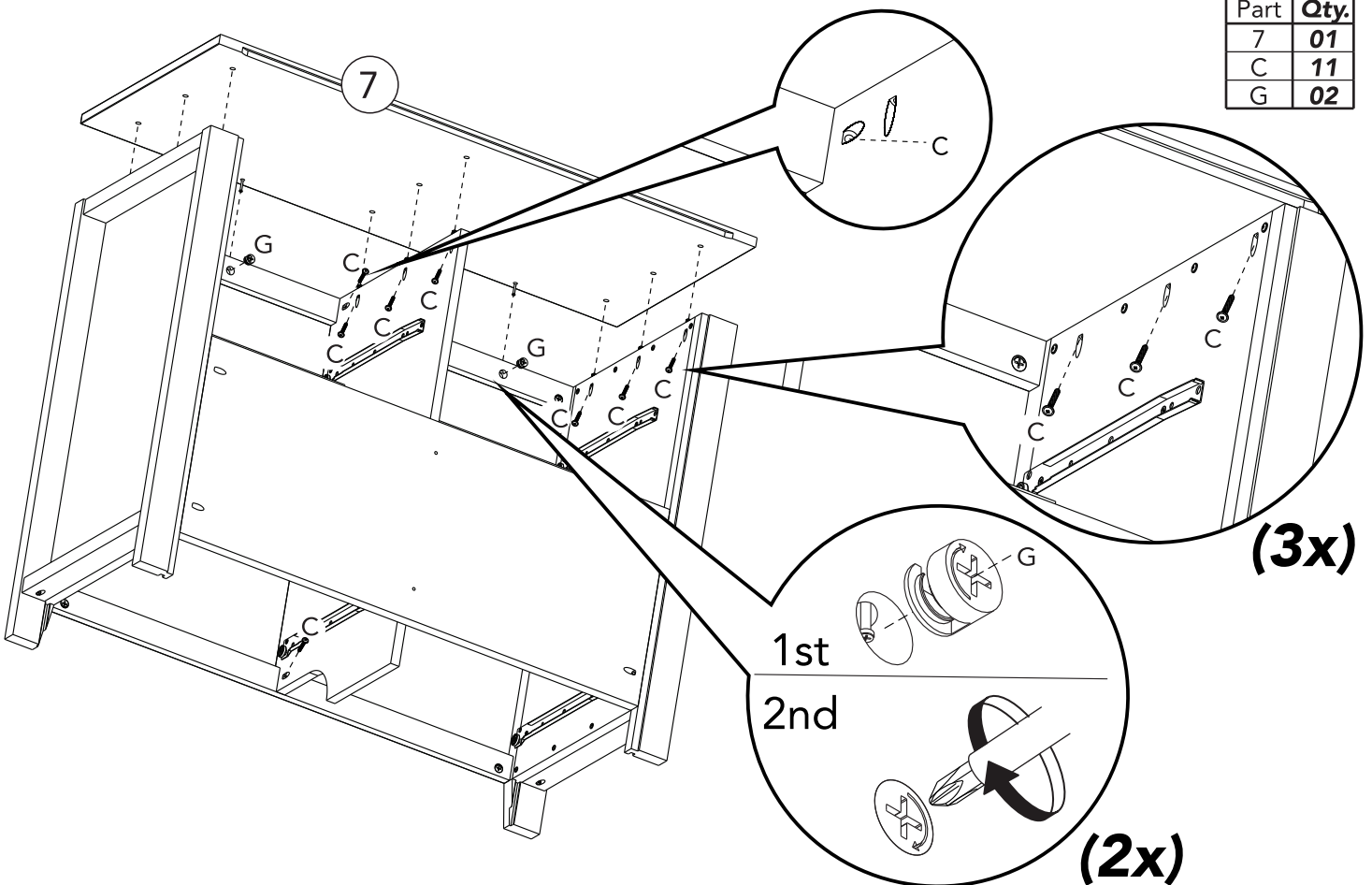
# STEP 10

Part	Qty.
19	01
C	04
G	02



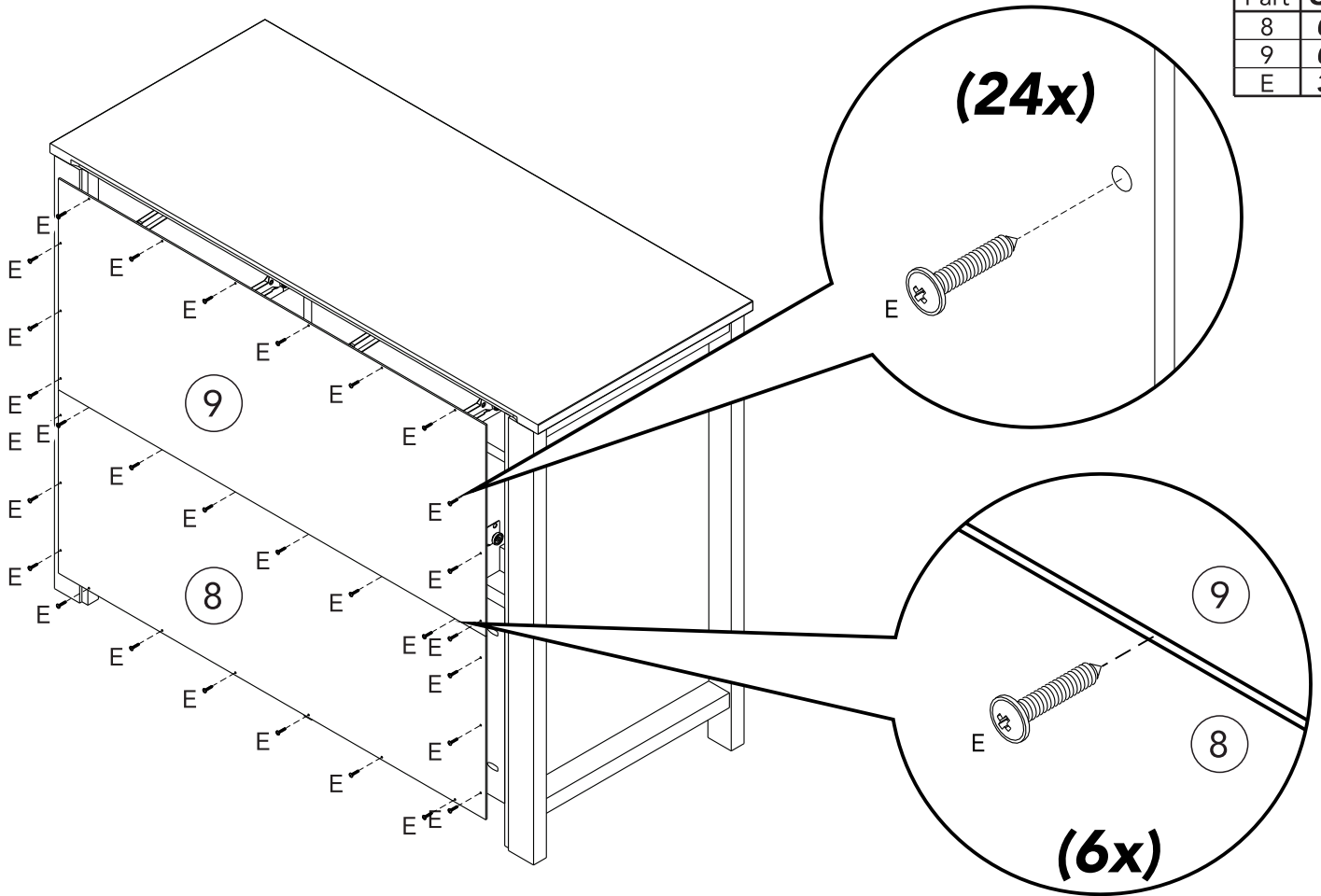
# STEP 11

Part	Qty.
7	01
C	11
G	02



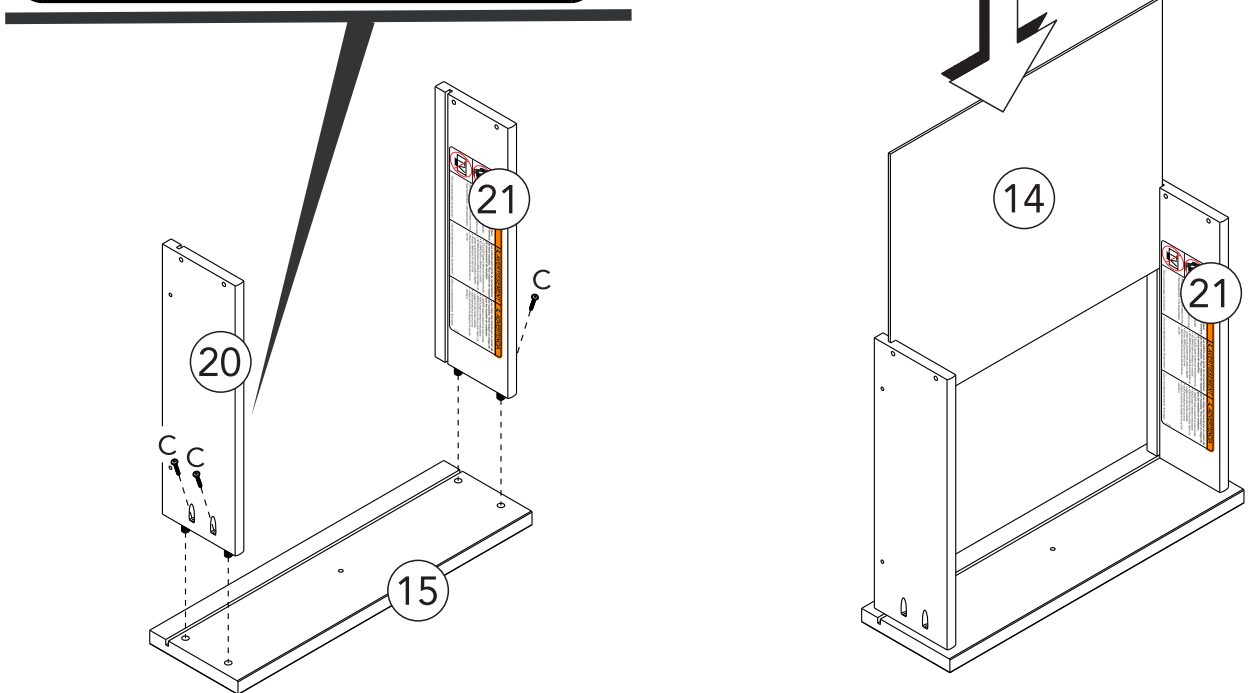
# STEP 12

Part	Qty.
8	01
9	01
E	30

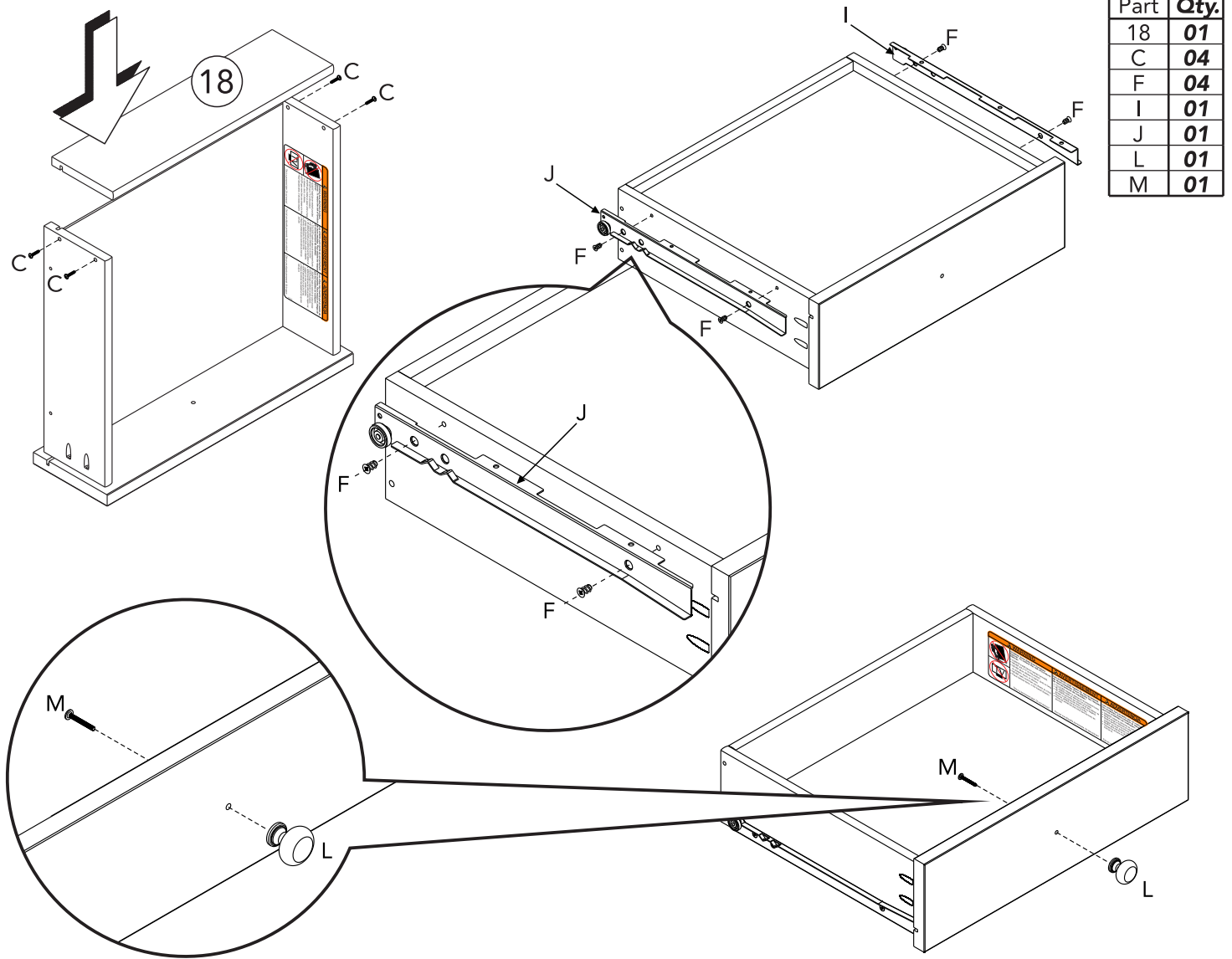


# TOP LEFT DRAWER - STEP 1

Part	Qty.
14	01
15	01
20	01
21	01
C	04

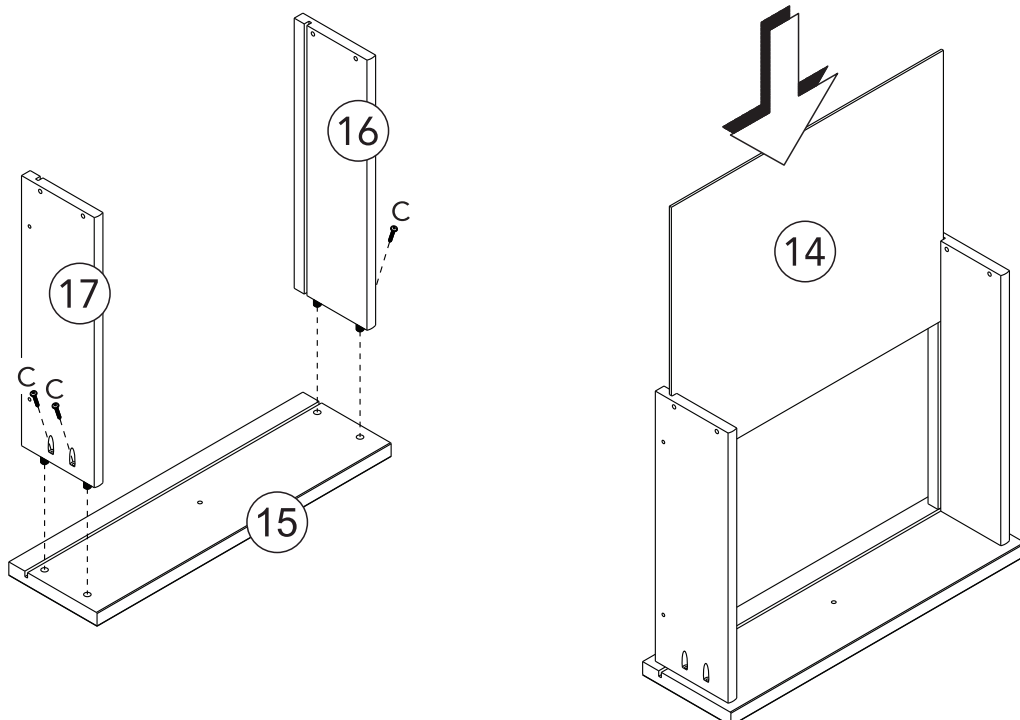


## TOP LEFT DRAWER - STEP 2



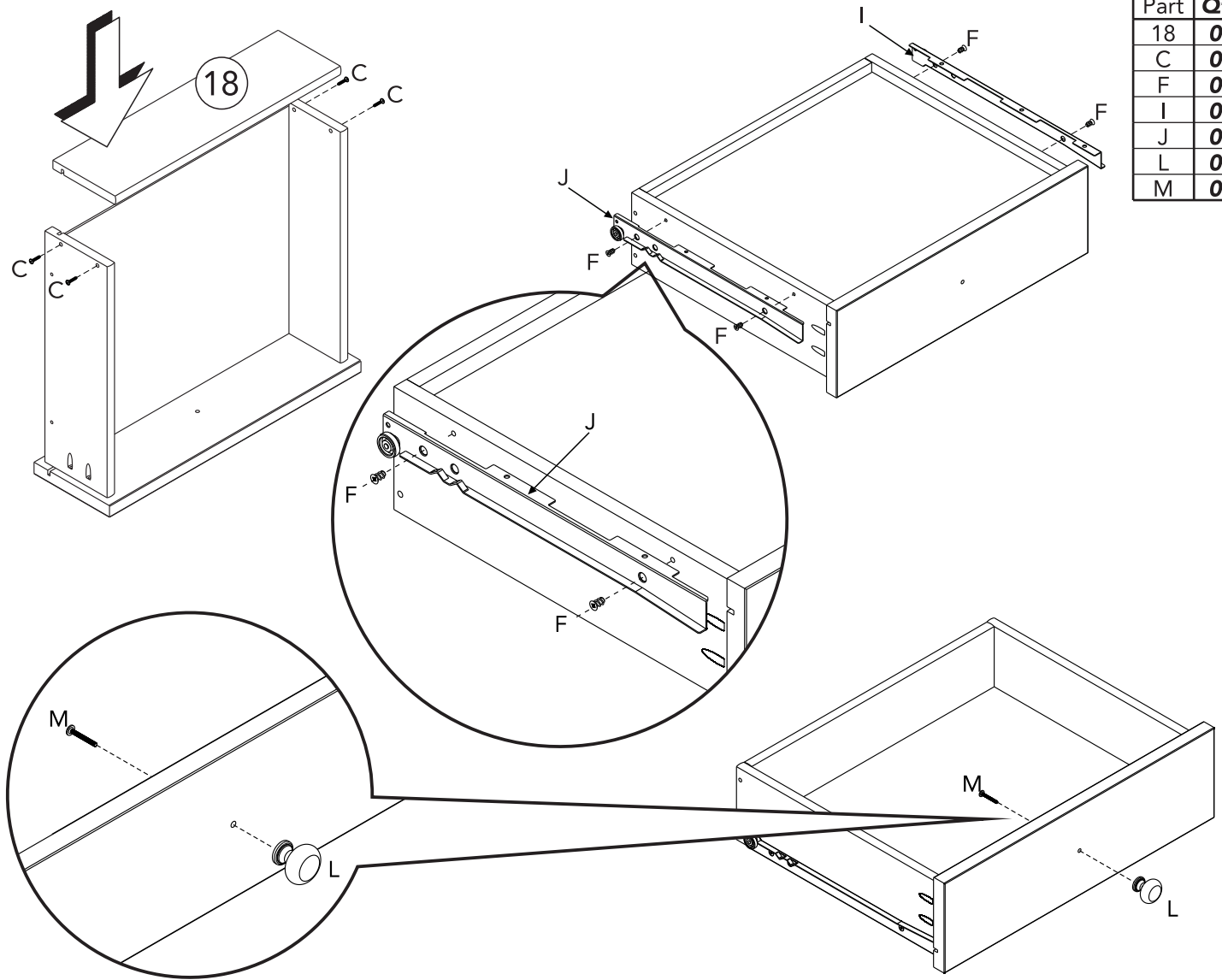
Part	Qty.
18	01
C	04
F	04
I	01
J	01
L	01
M	01

## TOP RIGHT DRAWER - STEP 1



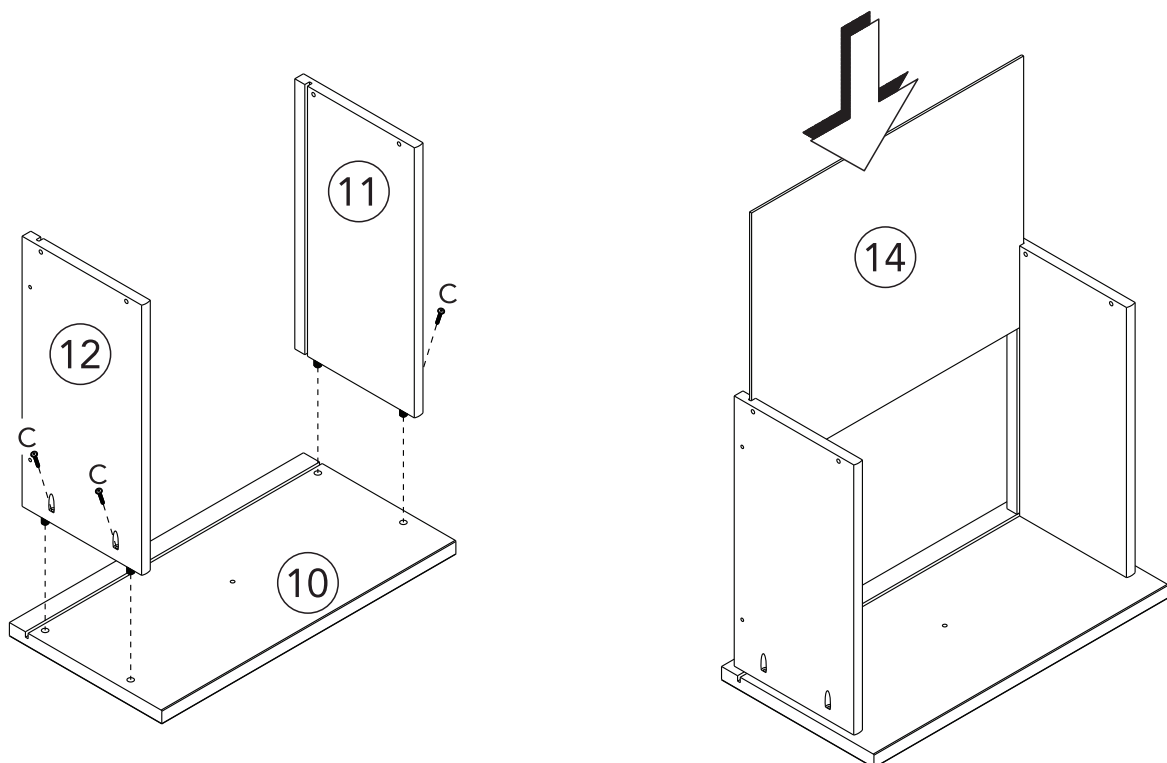
Part	Qty.
14	01
15	01
16	01
17	01
C	04

# TOP RIGHT DRAWER - STEP 2



Part	Qty.
18	01
C	04
F	04
I	01
J	01
L	01
M	01

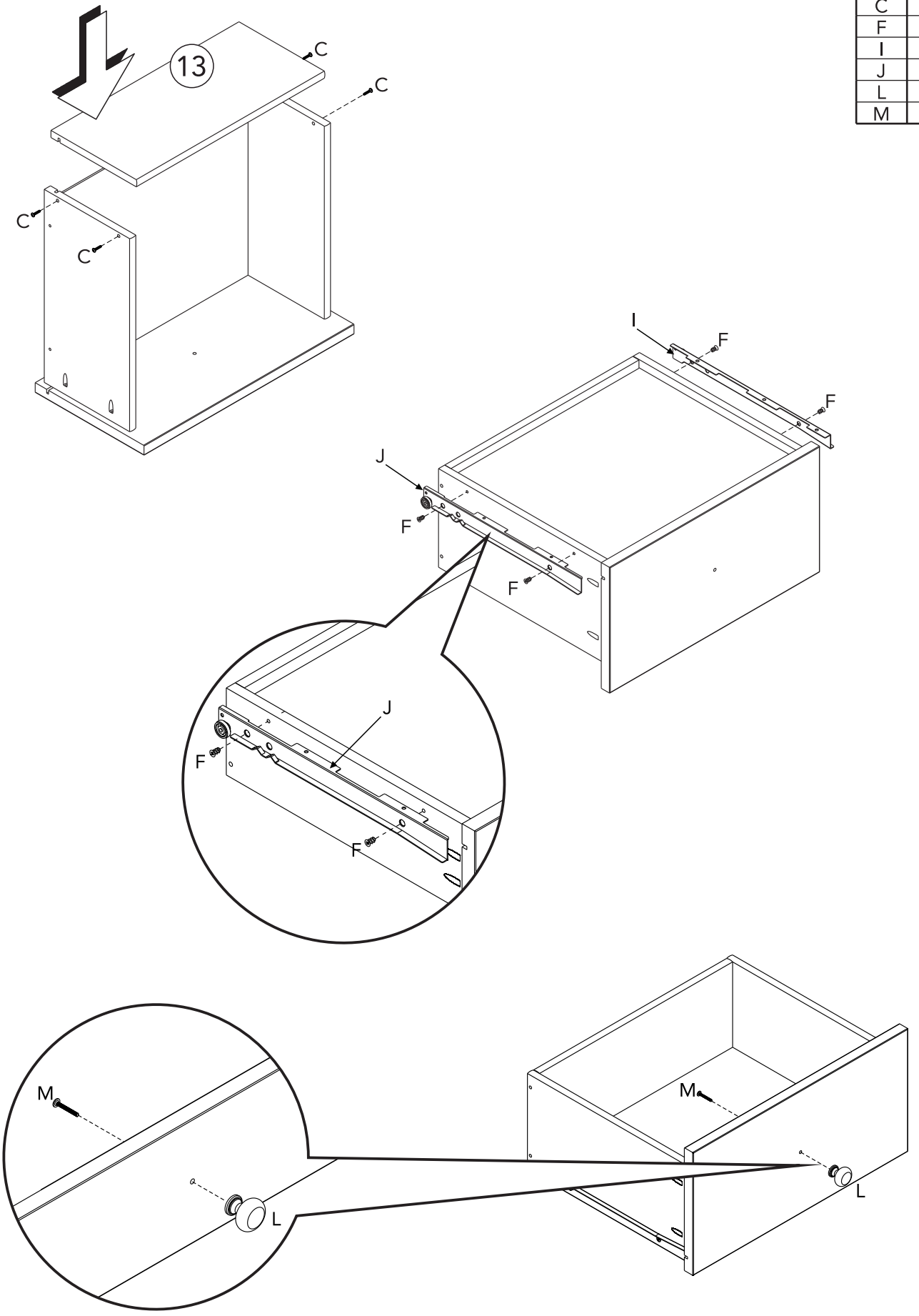
# LOWER DRAWERS - STEP 1 (x4)



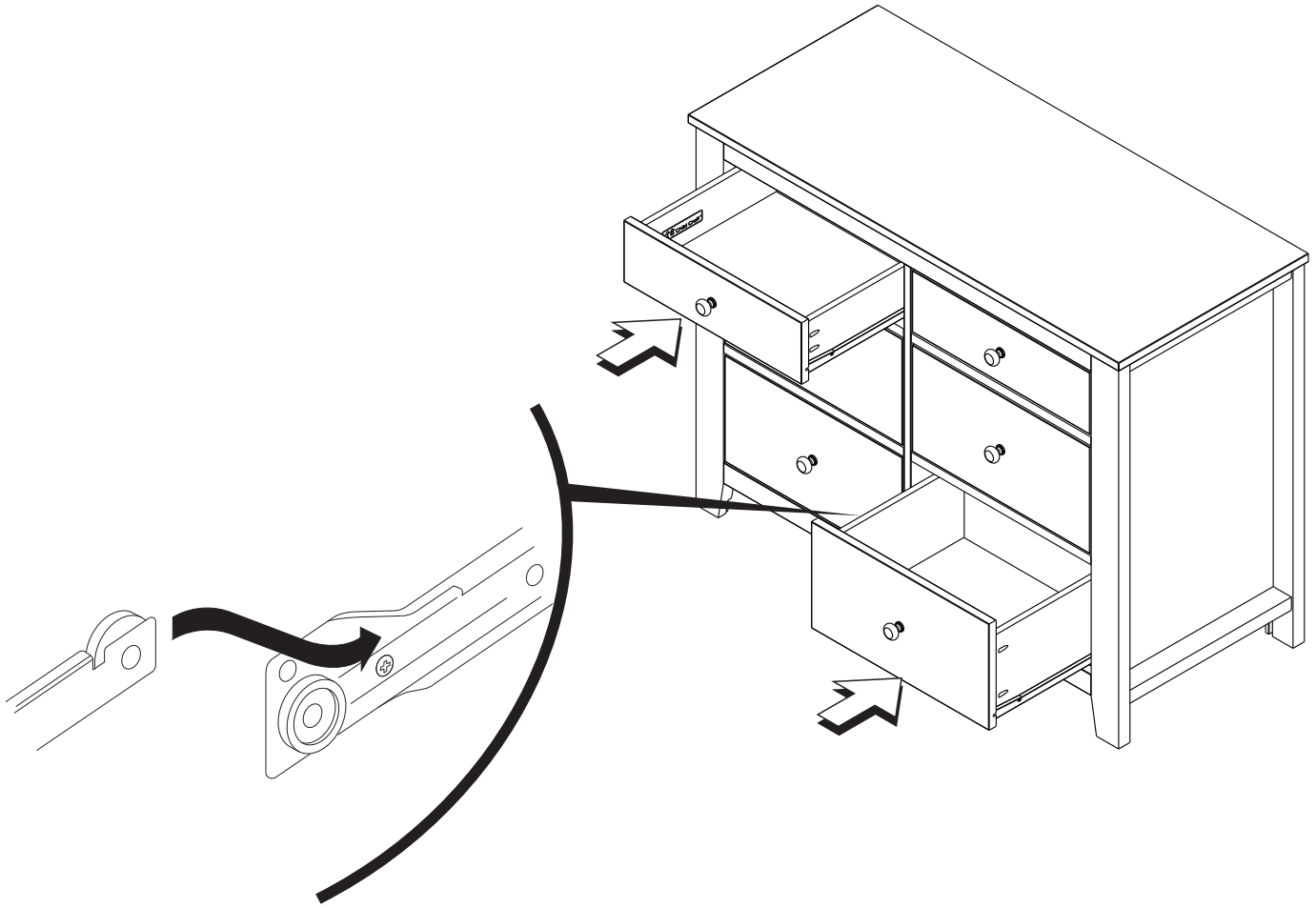
Part	Qty.
10	01
11	01
12	01
14	01
C	04

# LOWER DRAWERS - STEP 2 (x4)

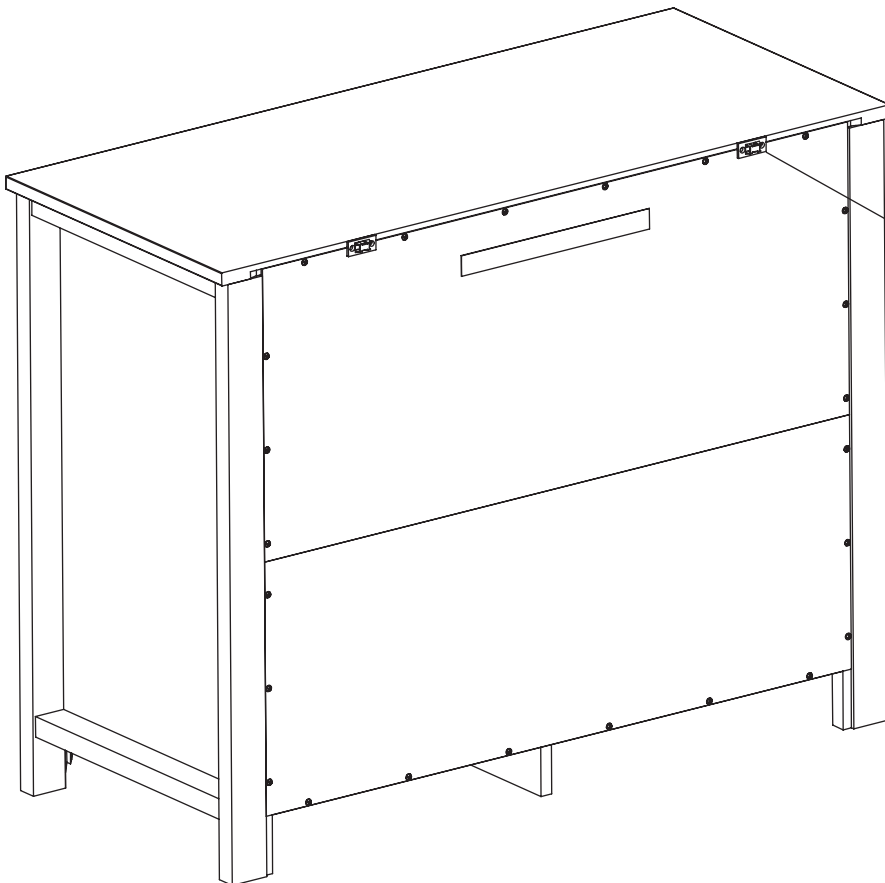
Part	Qty.
13	01
C	04
F	04
I	01
J	01
L	01
M	01



## DRAWER INSTALLATION



## ANTI TIP KIT ALIGNMENT



For Anti Tip Kit Installation, Anti Tip Bracket should be placed about 200 mm from side edges of the dresser.

Please refer to Anti Tip Kit instructions for install.

# **WARNING**

Serious or fatal crushing injuries can occur from furniture tipover. To help prevent tipover:

- Install tipover restraint provided.
- Place heaviest items in the lower drawers.
- Do not set TVs or other heavy objects on the top of this product.
- Never allow children to climb or hang on drawers, doors, or shelves.
- Never open more than one drawer at a time.

Use of tipover restraints may only reduce, but not eliminate, the risk of tipover.

## **MAINTENANCE, CLEANING, AND STORAGE**

### **MAINTENANCE:**

Upon completion of the assembly, check to make sure all screws, bolts and connectors are tightened and secure. Periodically check furniture for damaged hardware, loose joints, missing parts or sharp edges before and after assembly and frequently during use.

DO NOT use furniture if any parts are missing or broken.

If any parts are missing, broken or you need assistance DO NOT return furniture to your dealer.

Call Child Craft at 330-723-0599 and include model identification numbers recorded on page 1.

DO NOT substitute parts.

### **CLEANING:**

Mix a mild solution of gentle dishwashing soap and water, apply to surface using a clean cloth lightly dampened in the solution. Rinse well with clear water using a soft clean cloth, then dry all surfaces with a soft dry cloth.

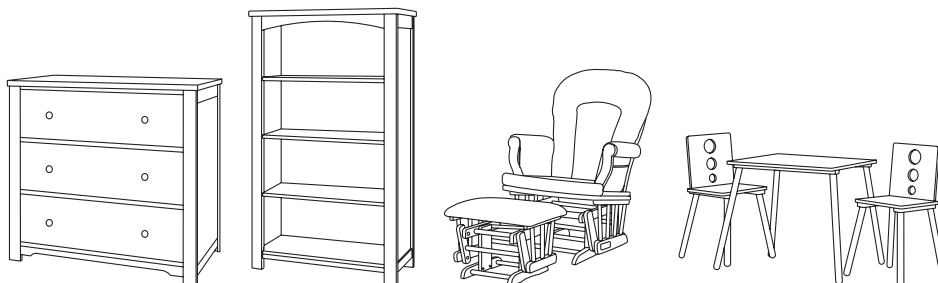
DO NOT use abrasive cleaners or any cleaners with harsh chemicals that would contact a child's skin, scouring pads, steel wool or coarse rags. This furniture should be treated the same as any fine furniture.

### **STORAGE:**

When storing furniture use caution as extreme temperature or humidity changes could be harmful.

Use caution when a vaporizer is in use. Always aim vapor stream away from furniture as well as away from any wood furniture item.

**After completing the assembly, the user is advised to read and be aware of ALL WARNINGS, CAUTIONS, CLEANING, STORAGE USE AND MAINTENANCE. Please store the complete set of assembly directions for future referral.**



Shop More for Your

**Nursery, Toddler,  
Playroom & Beyond**



5216 Portside Dr.  
Medina, Ohio 44256 USA  
Telephone: 330.723.0599  
Fax: 330.722.5037  
www.childcraftbaby.com

IMPORTED BY:  
Foundations Worldwide Inc.  
30 Casebridge Court  
Scarborough, ON M1B 3M5 CAN  
330.722.5033