

Ocean Grove Nightstand

Model Covered: F05528

KEEP INSTRUCTIONS FOR FUTURE USE.

FOR CUSTOMER SERVICE CALL 330-723-0599. DO NOT CALL RETAILER OR RESELLER FOR SERVICE AS THEY ARE NOT AUTHORIZED TO RESOLVE ANY SERVICE ISSUES.

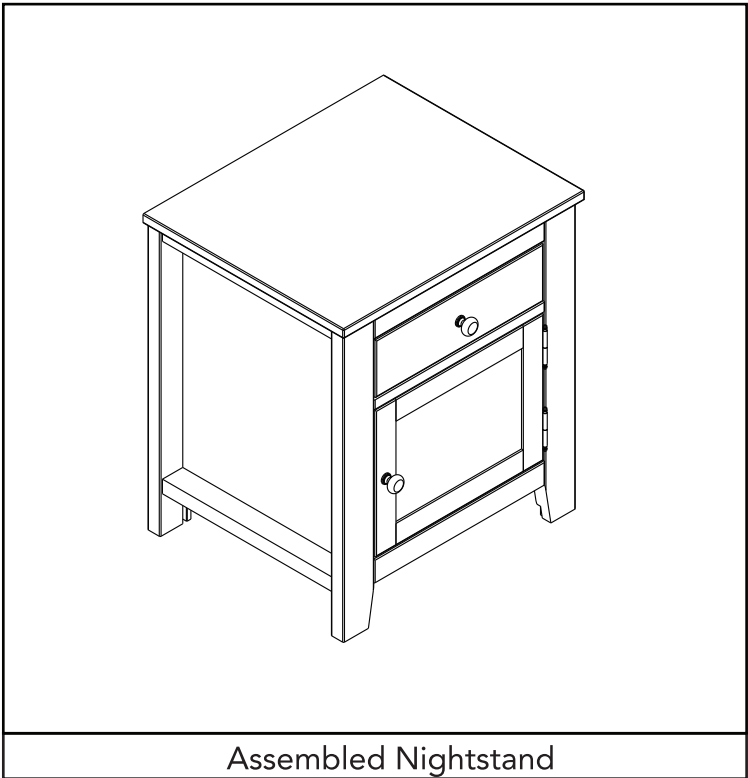
FOR WARRANTY AND FEDERAL SAFETY STANDARD COMPLIANCE CERTIFICATES, PLEASE VISIT OUR WEBSITE AT www.childcraftbaby.com

ASSEMBLY ASSISTANCE

IMPORTANT: Retain for future reference and read carefully.

Child Craft strives for the highest quality in our products but occasionally a missing part or problem can occur during assembly.

If any parts are missing or broken or you need assistance with assembly, DO NOT return the product to your dealer. Go to our website at www.childcraftbaby.com or call Child Craft for assistance at 1-330-723-0599 (Monday through Friday, 9:00 a.m.– 4:00 p.m. Eastern Time). Please have the model number and manufacture date available when you call or write us at:
 Child Craft, 5216 Portside Dr., Medina, OH 44256



Assembled Nightstand

ASSEMBLY INSTRUCTIONS

- Adult assembly required.
- Read all instructions BEFORE assembly and USE of product.
- Unpack carton, remove packing materials, including polybag. Identify and check all parts.

Record the information for your product here:

Model number: F05509.61

Manufacture date: 2022 / 06

PO number: XXXXX

AB20511B

PARTS LIST

Part Description	Part Number	Qty.
1. Right Side	23103128	01
2. Top Front Connector Rail	23103126	01
3. Bottom Front Connector Rail	23103127	01
4. Bottom	23103137	01
5. Left Side	23103132	01
6. Top	23103125	01
7. Back Cover	23103143	01
8. Door	23103144	01
9. Drawer Divider Rail	23103136	01
10. Drawer Bottom	23103150	01
11. Drawer Back	23103149	01
12. Drawer Front	23103138	01
13. Drawer Right Side	23103140	01
14. Drawer Left Side	23103141	01

HARDWARE LIST

Part Description	Part Number	Qty.
A. Wood Dowel	11201360	28
B. Flat Head Screw 16mm Long	11200694	10
C. Phillips Head Screw 30mm Long	11201133	22
D. Minifix Screw	11201358	01
E. Phillips Head Screw 16mm Long	11201451	14
F. Glide Screw	11201542	08
G. Minifix Round Nut	11201359	01
H. Euro Glide - Case Left	11201543	01
I. Euro Glide - Drawer Left	11201545	01
J. Euro Glide - Drawer Right	11201546	01
K. Euro Glide - Case Right	11201544	01
L. Drawer Knob	11201541	02
M. Screw 30mm Long	11201567	02
N. Door Magnet Plate	11201550	01
O. Door Magnet Assembly	11201556	01
P. Door Hinge Bottom	11201552	02
Q. Door Hinge Top	11201551	02

PREPARATION

Carefully remove and lay out all hardware and parts. Check quantities and match the parts list. Construct furniture on an even flat floor.

Note: During the assembly process whenever using screws or bolts, check each with the parts list by letter and size identification. Be sure to use the proper size specified in the assembly directions. If any parts are missing or broken or you need assistance with assembly, DO NOT return your product to the dealer. Please identify the furniture by the model number identification stamped on the assembly when you call or write to Child Craft. Make note of all identification numbers and include this information with your request.

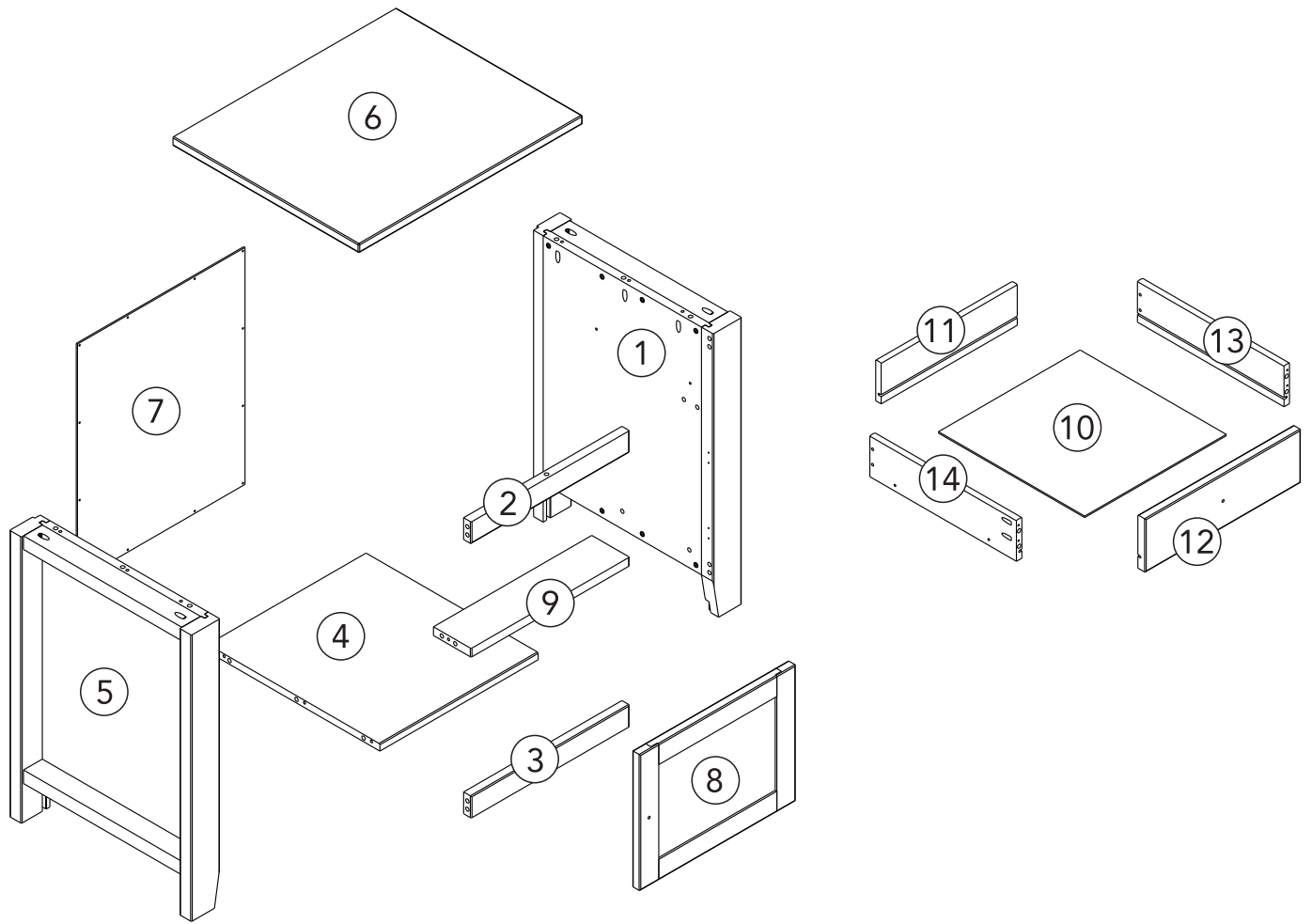
DO NOT Substitute Parts!

IMPORTANT NOTE: During the assembly process, it may be necessary to temporarily loosen fasteners installed in an earlier step to allow adjustments in proper alignment for other parts. Always remember to retighten securely after this process.

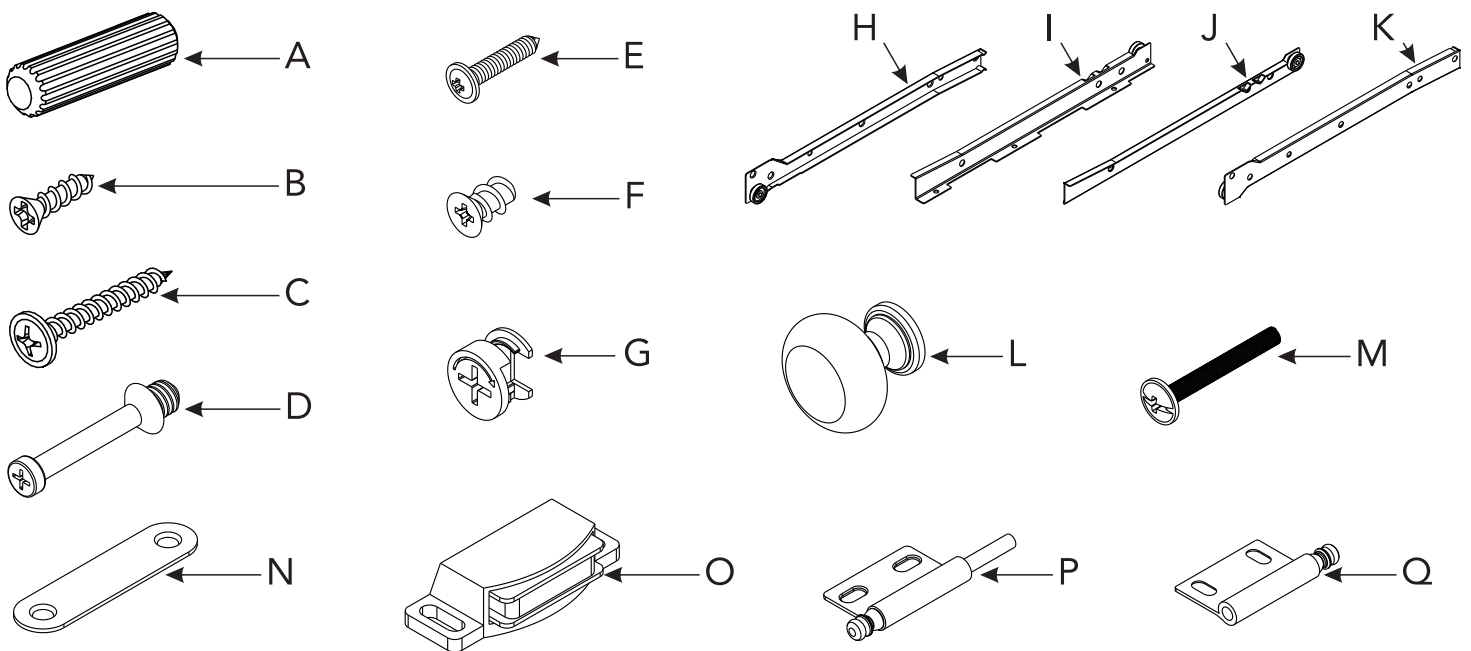
SUGGESTED TOOLS

#2 Phillips Screwdriver

Furniture Parts

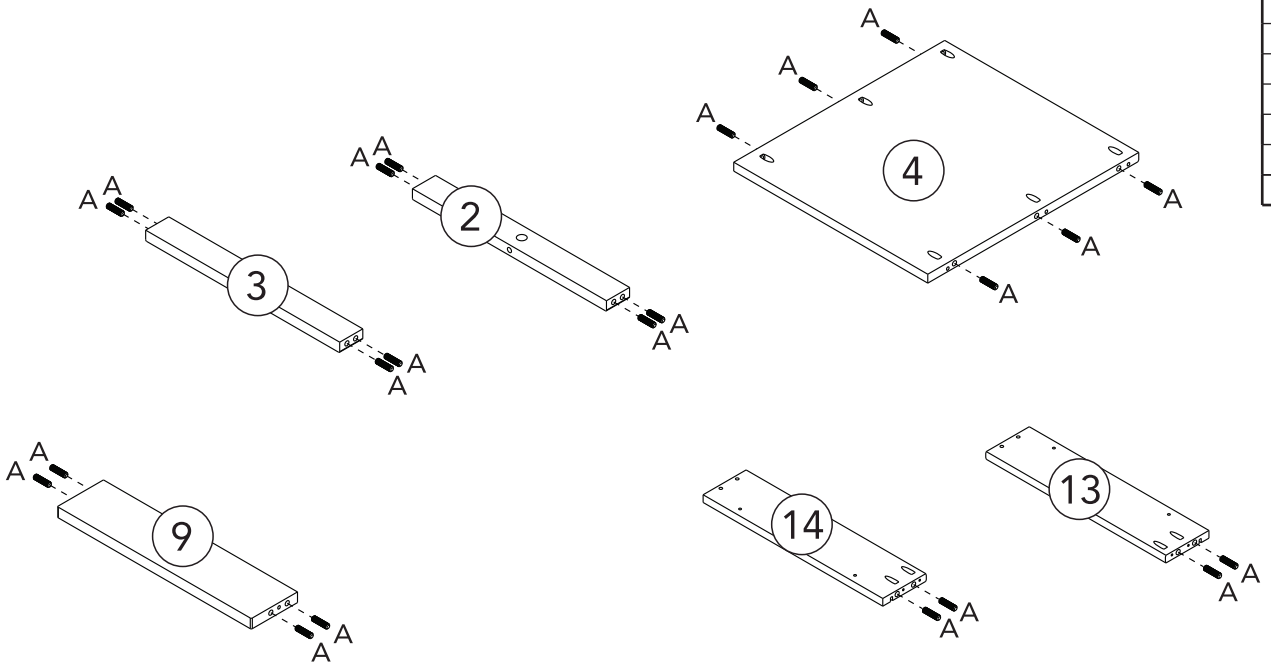


Hardware Package



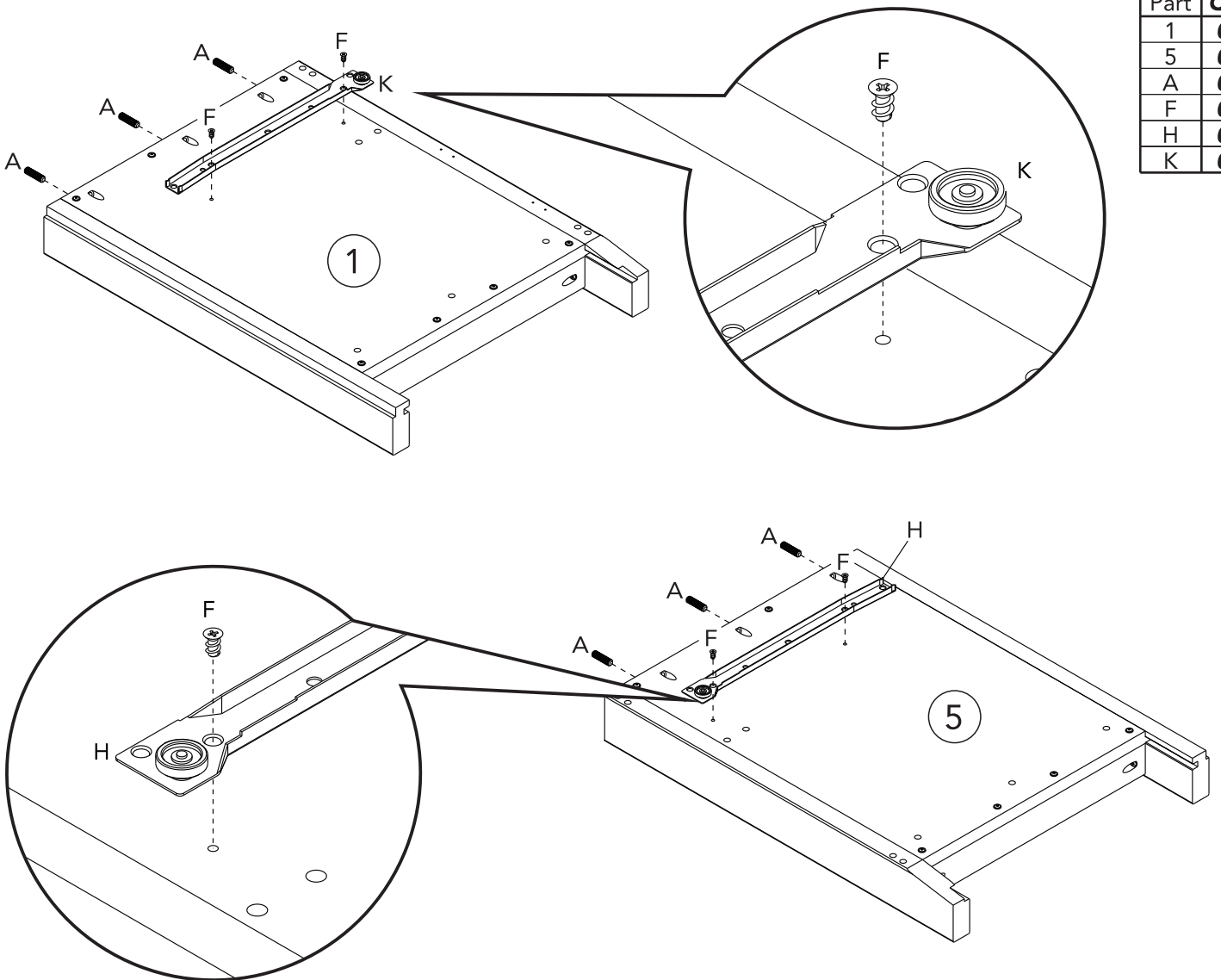
STEP 1

Part	Qty.
2	01
3	01
4	01
9	01
13	01
14	01
A	22



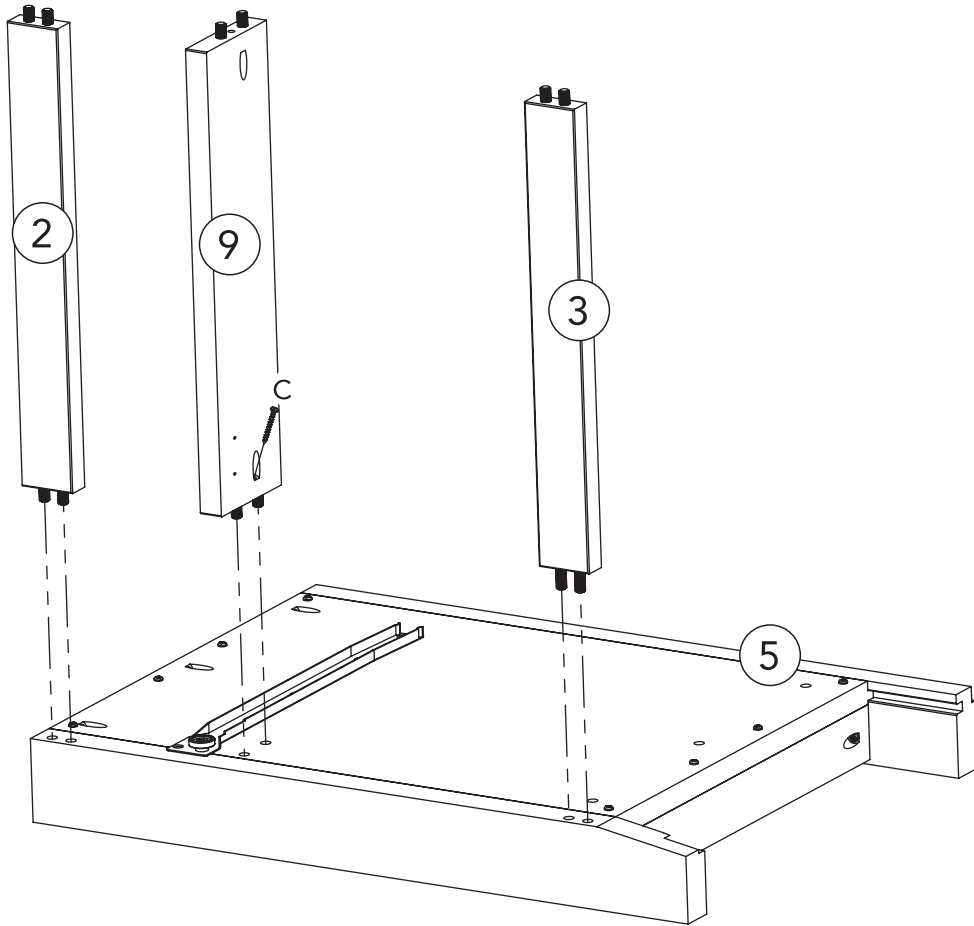
STEP 2

Part	Qty.
1	01
5	01
A	06
F	04
H	01
K	01



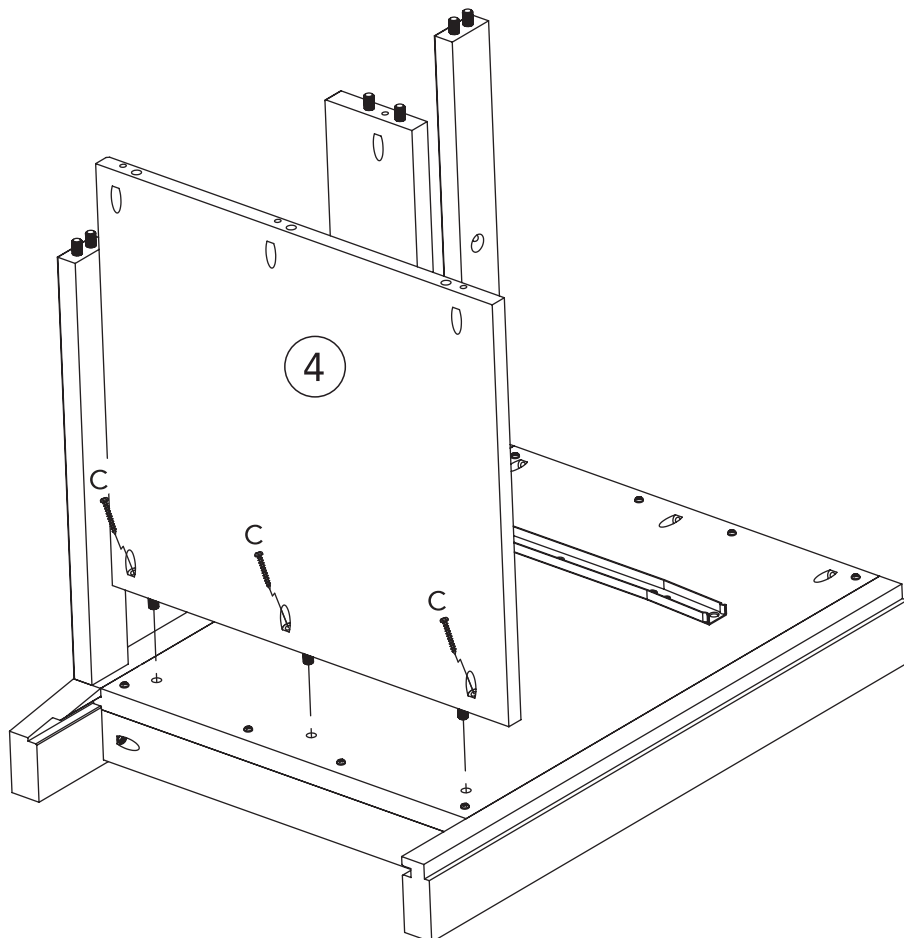
STEP 3

Part	Qty.
2	01
3	01
5	01
9	01
C	01



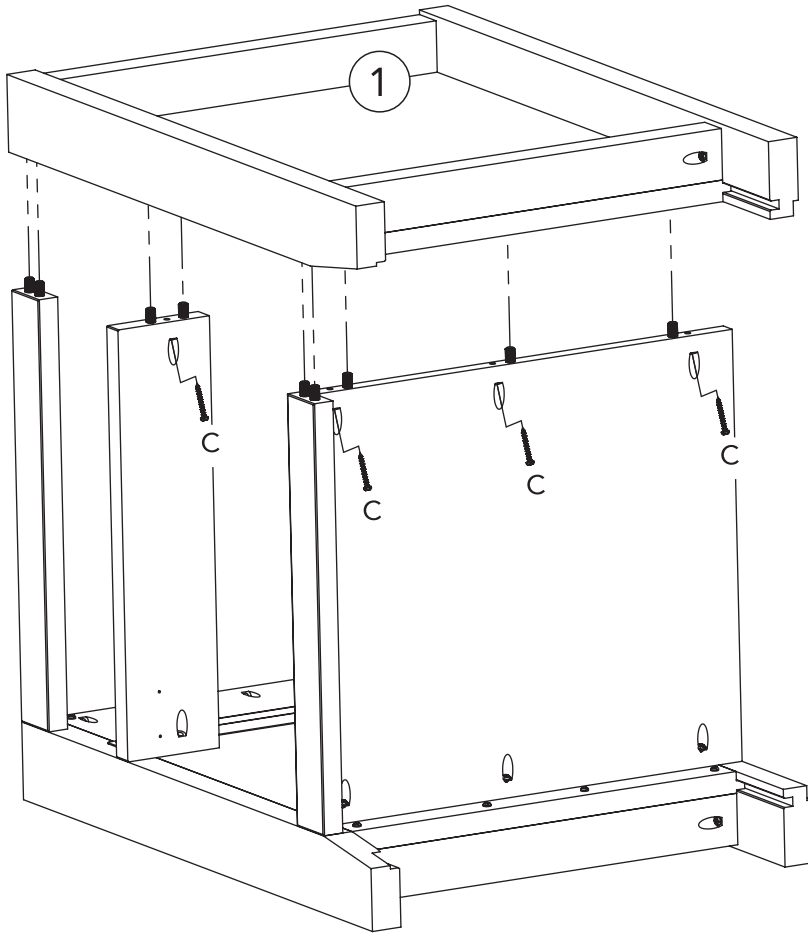
STEP 4

Part	Qty.
4	01
C	03



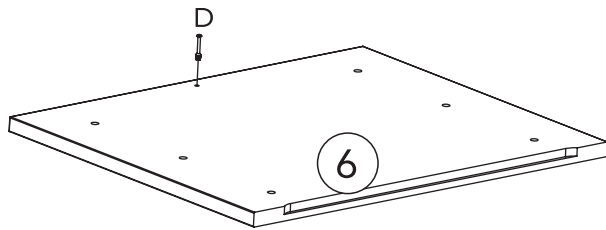
STEP 5

Part	Qty.
1	01
C	04

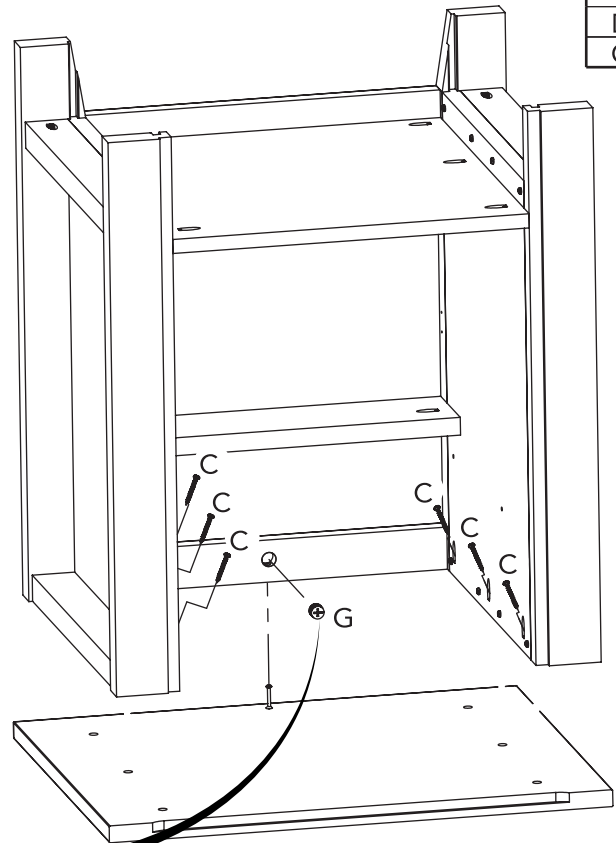


STEP 6

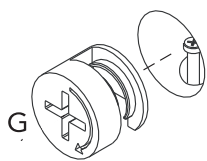
1st



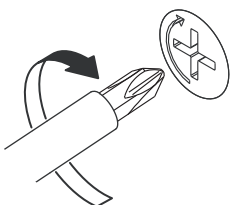
2nd



Part	Qty.
6	01
C	06
D	01
G	01



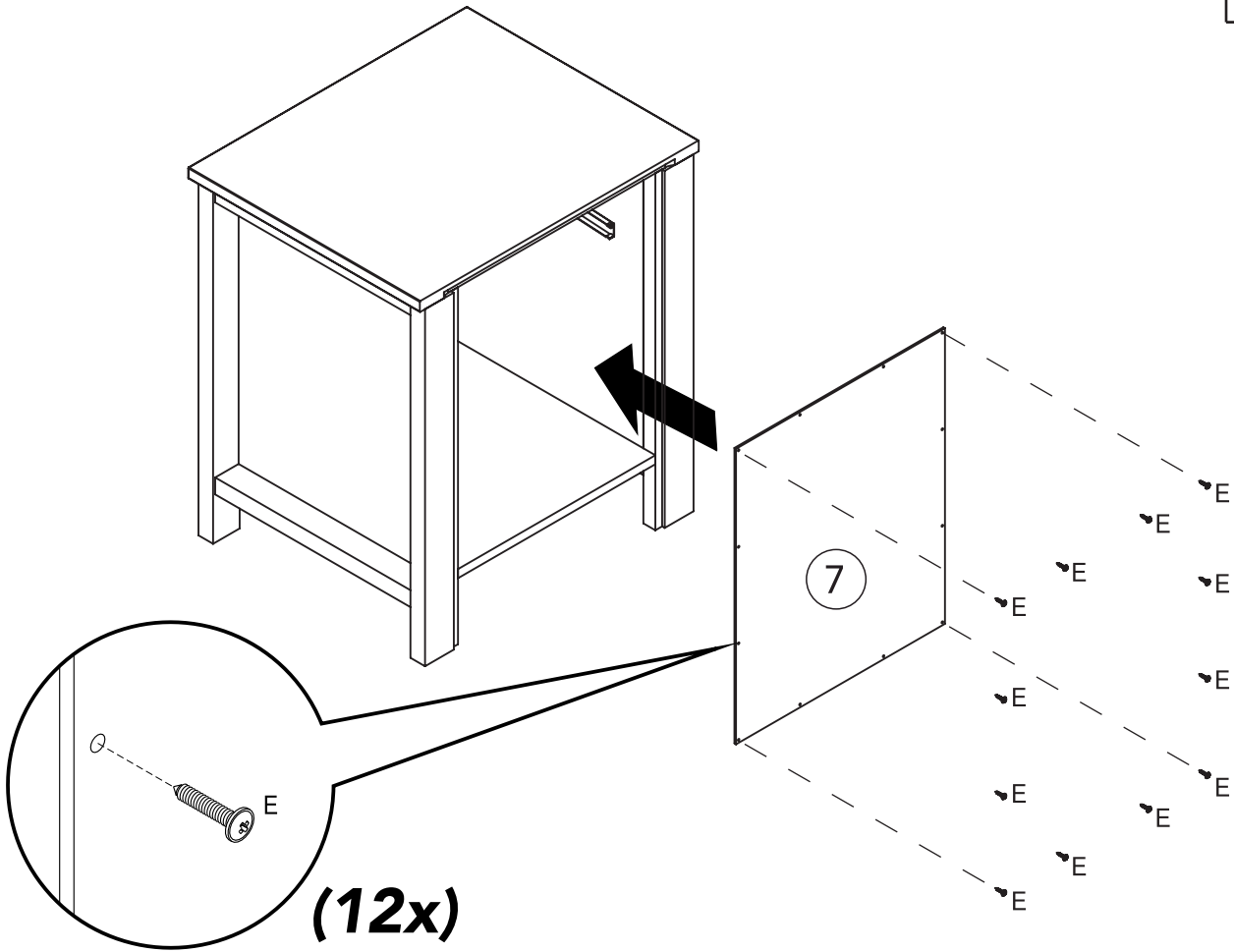
1st



2nd

STEP 7

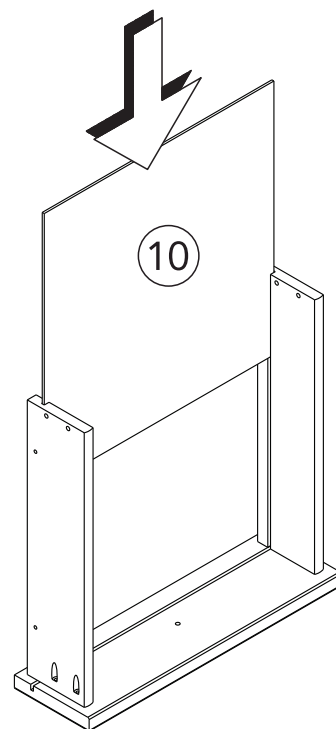
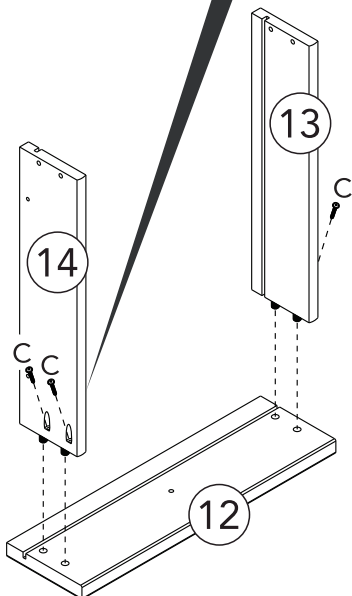
Part	Qty.
7	01
E	12



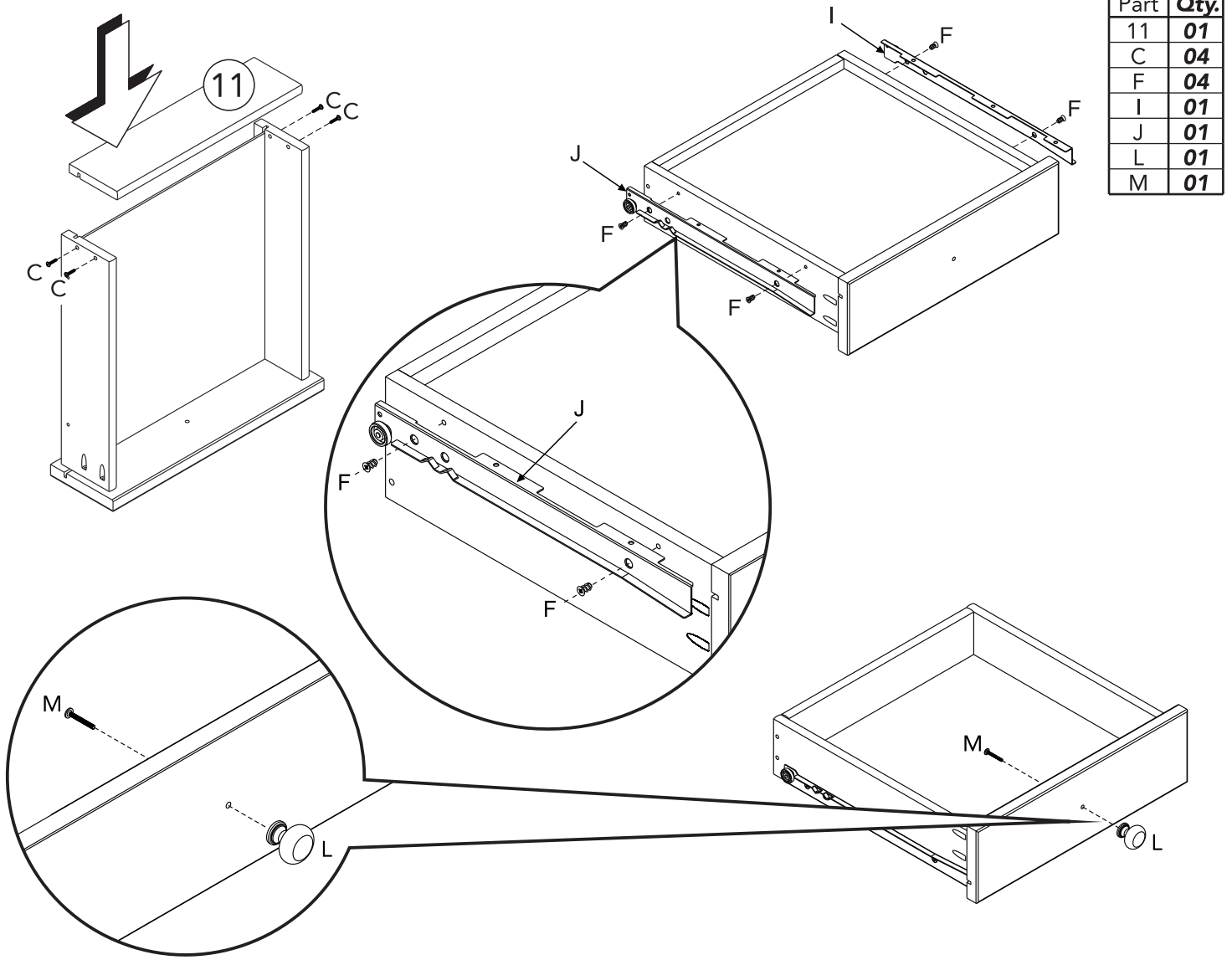
DRAWER - STEP 1



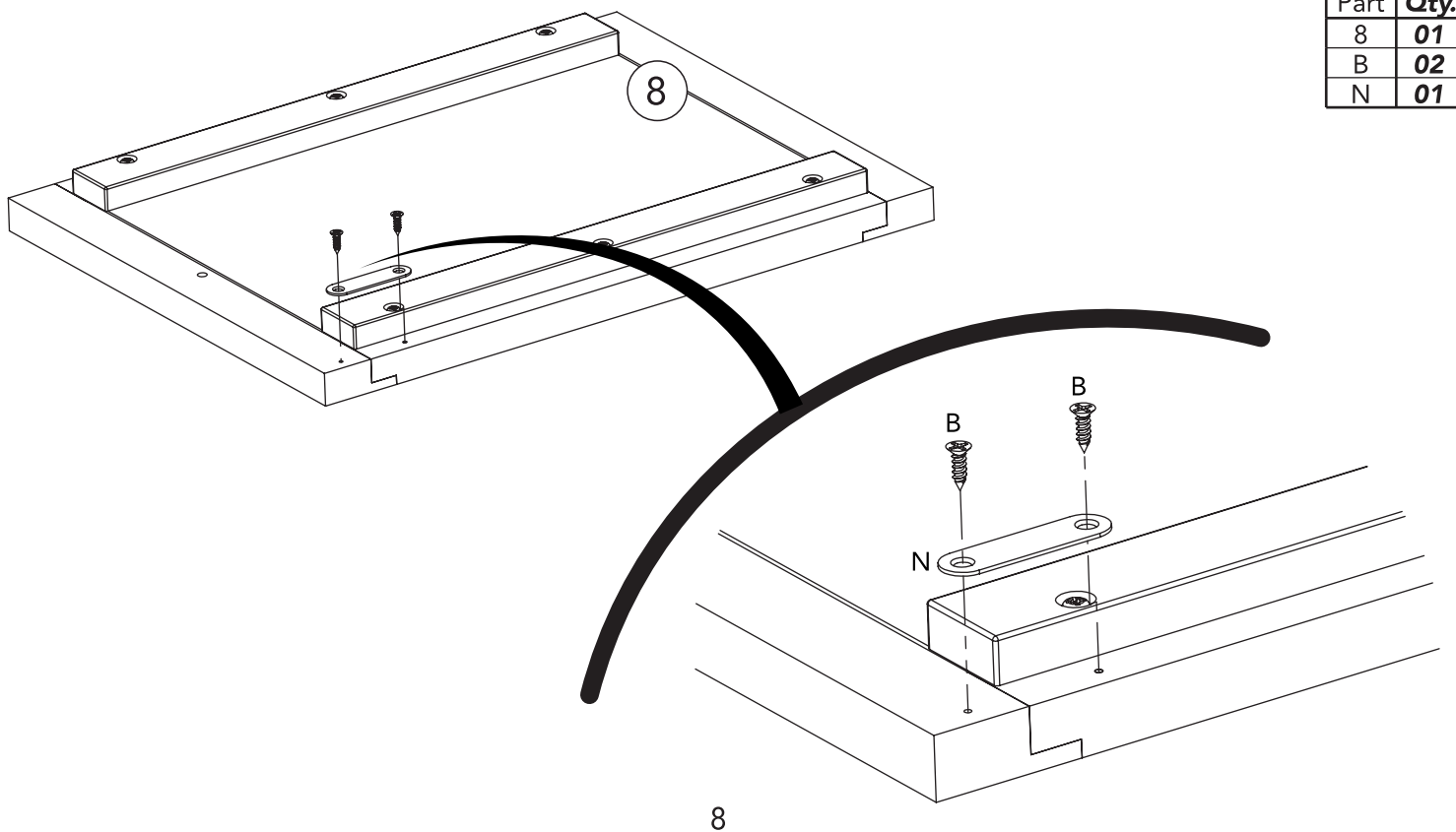
Part	Qty.
10	01
12	01
13	01
14	01
C	04



DRAWER - STEP 2

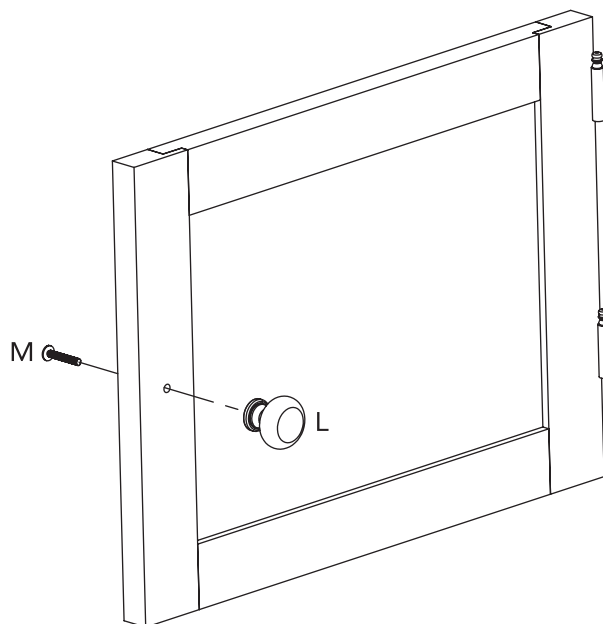
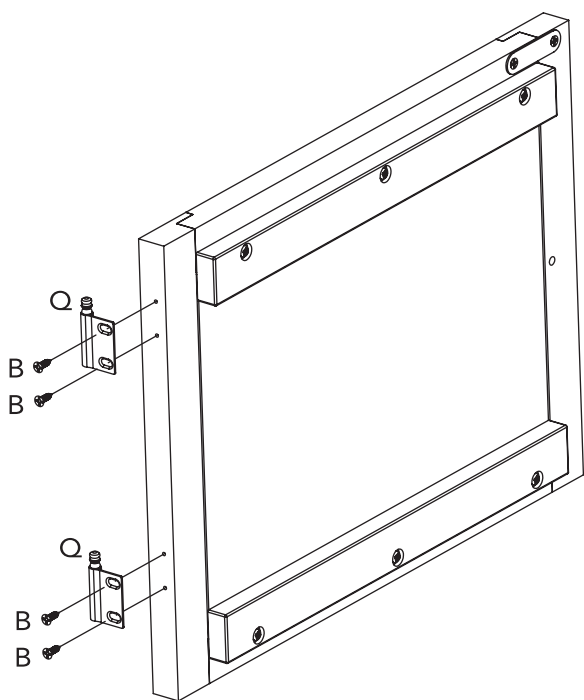


DOOR - STEP 1



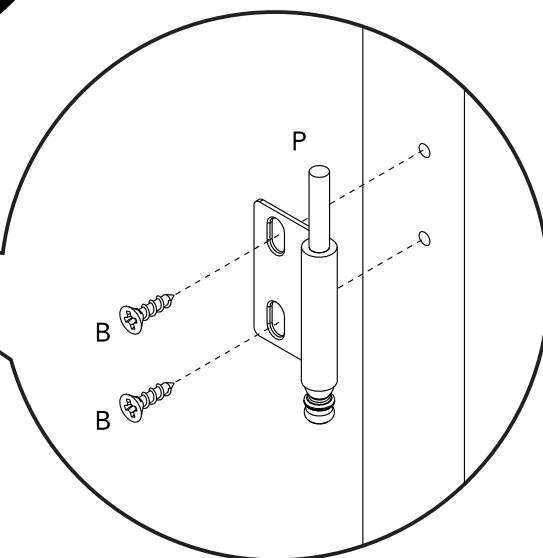
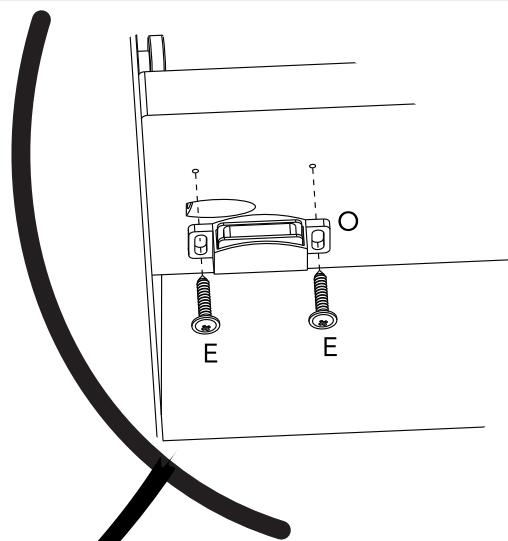
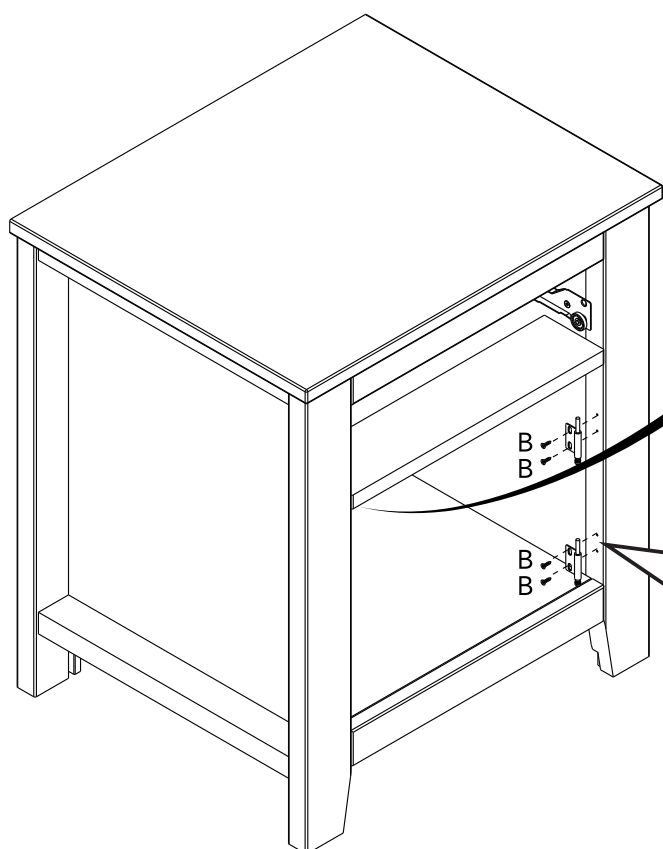
DOOR - STEP 2

Part	Qty.
B	04
L	01
M	01
Q	02

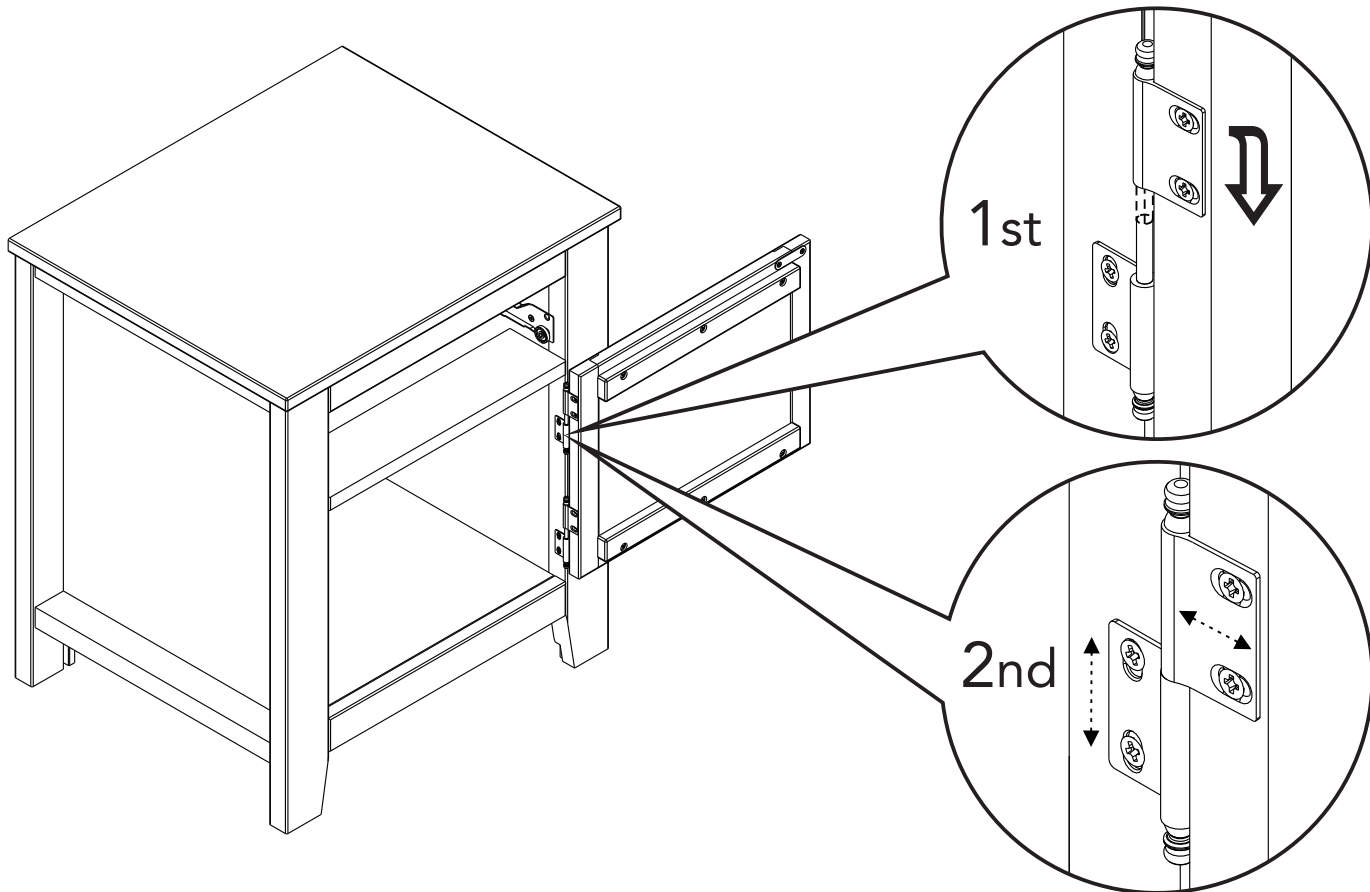


DOOR - STEP 3

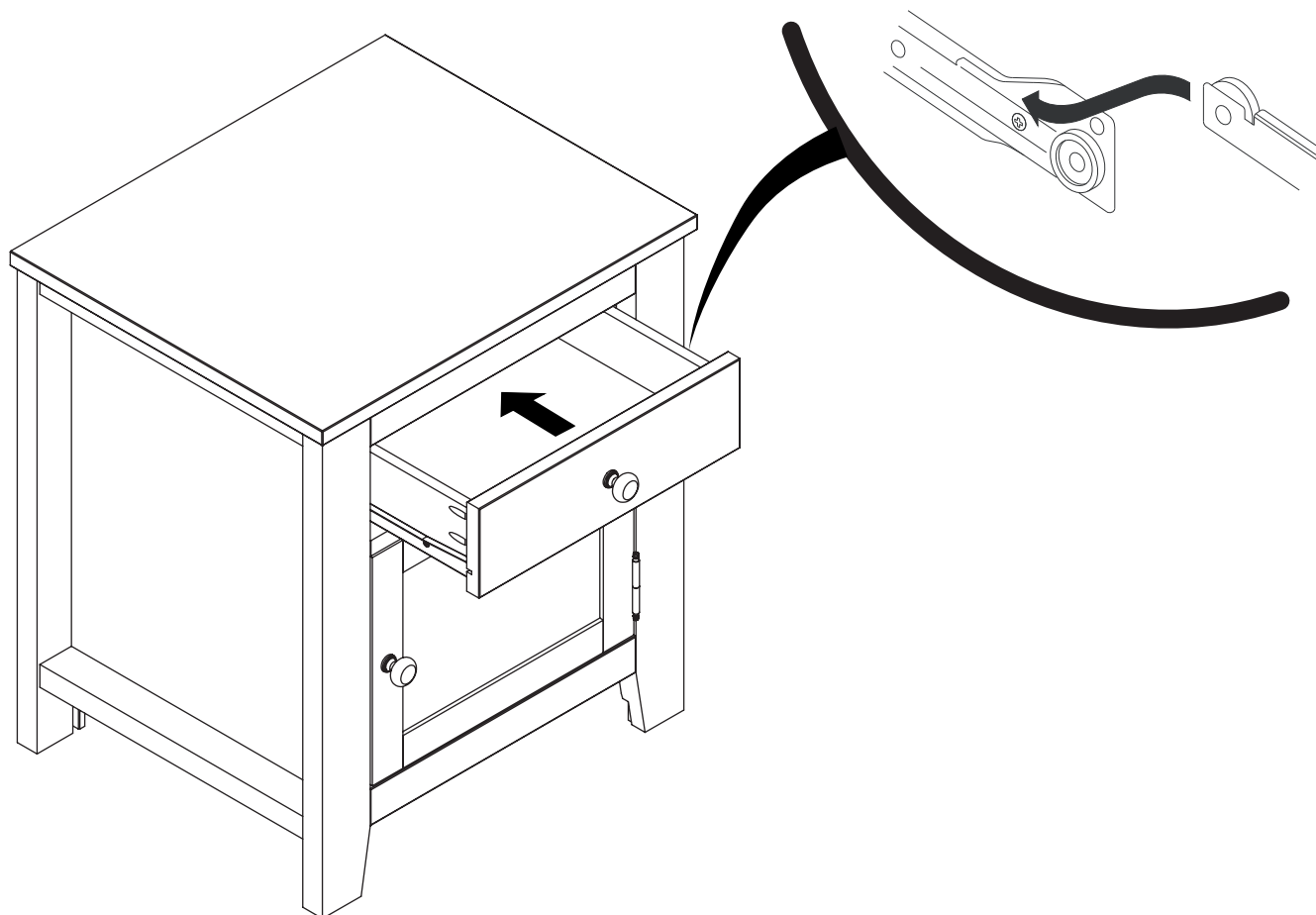
Part	Qty.
B	04
E	02
O	01
P	02



DOOR - STEP 4



DRAWER INSTALL



WARNING

Serious or fatal crushing injuries can occur from furniture tipover. To help prevent tipover:

- Install tipover restraint provided.
- Place heaviest items in the lower drawers.
- Do not set TVs or other heavy objects on the top of this product.
- Never allow children to climb or hang on drawers, doors, or shelves.
- Never open more than one drawer at a time.

Use of tipover restraints may only reduce, but not eliminate, the risk of tipover.

MAINTENANCE, CLEANING, AND STORAGE

MAINTENANCE:

Upon completion of the assembly, check to make sure all screws, bolts and connectors are tightened and secure. Periodically check furniture for damaged hardware, loose joints, missing parts or sharp edges before and after assembly and frequently during use.

DO NOT use furniture if any parts are missing or broken.

If any parts are missing, broken or you need assistance DO NOT return furniture to your dealer.

Call Child Craft at 330-723-0599 and include model identification numbers recorded on page 1.

DO NOT substitute parts.

CLEANING:

Mix a mild solution of gentle dishwashing soap and water, apply to surface using a clean cloth lightly dampened in the solution. Rinse well with clear water using a soft clean cloth, then dry all surfaces with a soft dry cloth.

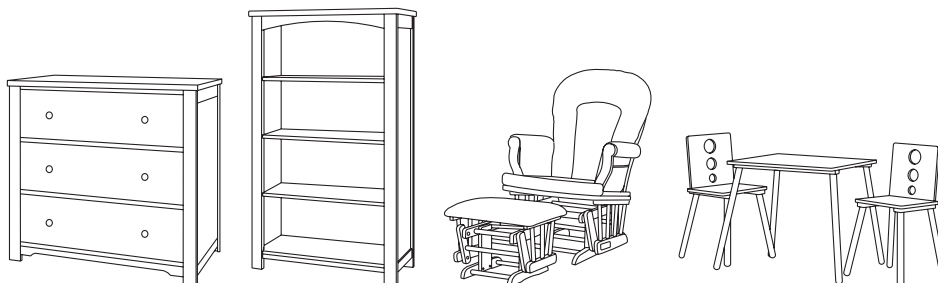
DO NOT use abrasive cleaners or any cleaners with harsh chemicals that would contact a child's skin, scouring pads, steel wool or coarse rags. This furniture should be treated the same as any fine furniture.

STORAGE:

When storing furniture use caution as extreme temperature or humidity changes could be harmful.

Use caution when a vaporizer is in use. Always aim vapor stream away from furniture as well as away from any wood furniture item.

After completing the assembly, the user is advised to read and be aware of ALL WARNINGS, CAUTIONS, CLEANING, STORAGE USE AND MAINTENANCE. Please store the complete set of assembly directions for future referral.



Shop More for Your

**Nursery, Toddler,
Playroom & Beyond**



5216 Portside Dr.
Medina, Ohio 44256 USA
Telephone: 330.723.0599
Fax: 330.722.5037
www.childcraftbaby.com

IMPORTED BY:
Foundations Worldwide Inc.
30 Casebridge Court
Scarborough, ON M1B 3M5 CAN
330.722.5033