



5216 Portside Dr., Medina, OH 44256 USA • PH: 1 330.723.0599 • FAX: 1 330.722.5037
www.childcraftbaby.com

Atwood 3-in-1 Convertible Crib

Model Covered: F11801

KEEP INSTRUCTIONS FOR FUTURE USE.

**THIS IS THE ASSEMBLY INSTRUCTIONS FOR CRIBS
SOLD IN THE UNITED STATES.**

**FOR CUSTOMER SERVICE CALL
330-723-0599. DO NOT CALL
RETAILER OR RESELLER FOR SERVICE
AS THEY ARE NOT AUTHORIZED TO
RESOLVE ANY SERVICE ISSUES.**

**FOR WARRANTY AND FEDERAL SAFETY
STANDARD COMPLIANCE CERTIFICATES,
PLEASE VISIT OUR WEBSITE AT
www.childcraftbaby.com**

ASSEMBLY ASSISTANCE

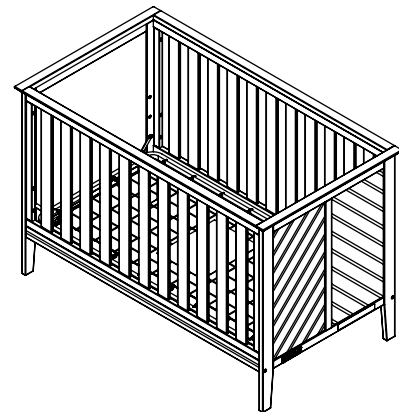
**IMPORTANT: Retain for future reference and
read carefully.**

Child Craft strives for the highest quality in our products but occasionally a missing part or problem can occur during assembly.

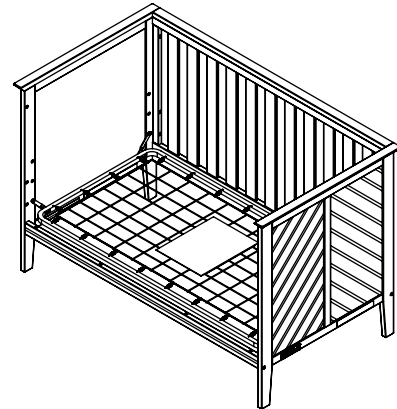
If any parts are missing or broken or you need assistance with assembly, DO NOT return the product to your dealer. Go to our website at www.childcraftbaby.com or call Child Craft for assistance at 1-330-723-0599 (Monday through Friday, 9:00 a.m.– 4:00 p.m. Eastern Time). Please have the model number and manufacture date available when you call or write us at:
Child Craft, 5216 Portside Dr., Medina, OH 44256

ASSEMBLY INSTRUCTIONS

- Adult assembly required.
- Read all instructions BEFORE assembly and USE of product.
- Unpack carton, remove packing materials, including polybag. Identify and check all parts.



Assembled as Crib



Assembled as Toddler Bed

Record the information for your product here:

Model number: _____

Manufacture date: _____

PO number: _____

AB20477D

PARTS LIST

Part Description	Part Number	Qty.
A. Long Side	22304098	2
B. Long Side Lower Rail	22304104	2
C. Short Side	22304105	2
D. Spring	11200765	1
AA. Allen Head Bolt 40mm Long	11201085	12
BB. Allen Head Bolt 60mm Long	11201015	4
CC. Joint Connector Nut	11200970	4
DD. Allen Wrench	11200978	1
EE. Allen Head Bolt 17mm Long	11200976	4
FF. Dowel	11201360	4

PREPARATION

Carefully remove and lay out all hardware and parts. Check quantities and match the parts list. Construct furniture on an even flat floor.

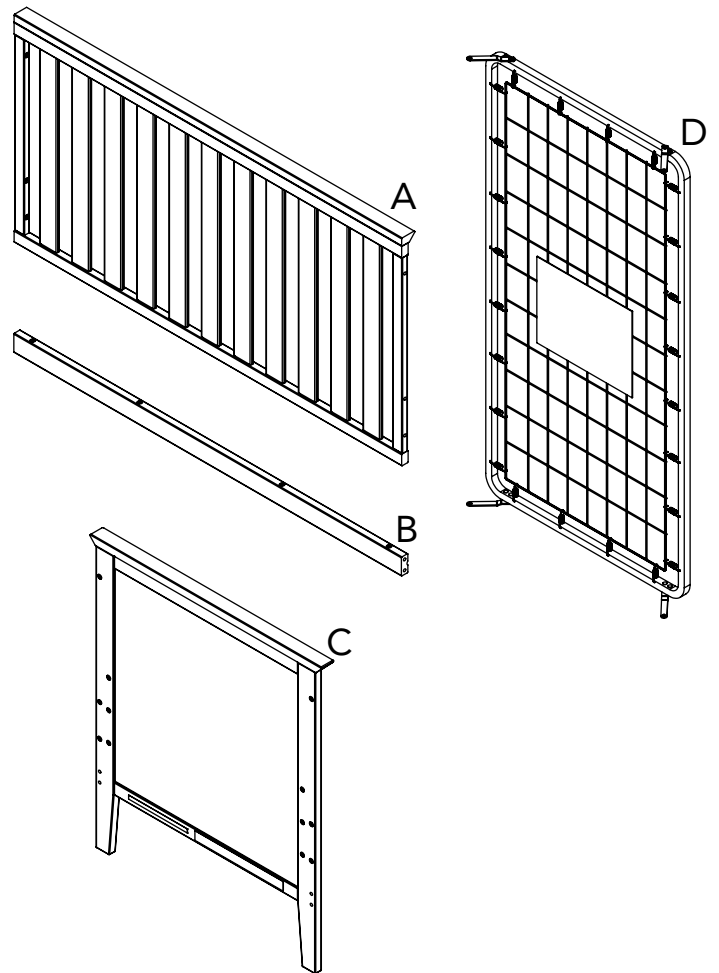
Note: during the assembly process whenever using screws or bolts, check each with the parts list by letter and size identification. Place each screw or bolt on the diagram of the item which is sketched actual size. Be sure to use the proper size specified in the assembly directions. If any parts are missing or broken or you need assistance with assembly **DO NOT return your product to the dealer.** Please identify the furniture by the model number identification stamped on the inside face of the assembly when you call or write to Child Craft. Make note of all identification numbers and include this information with your request.

DO NOT Substitute Parts!

SUGGESTED TOOLS

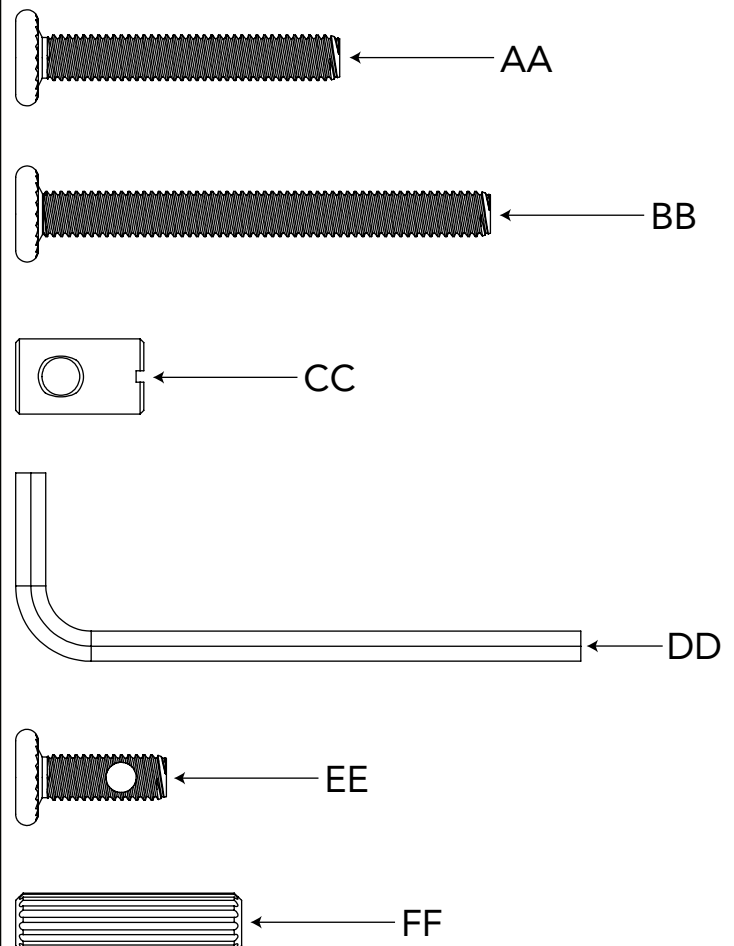
#2 Medium Straight Screwdriver

Crib Parts



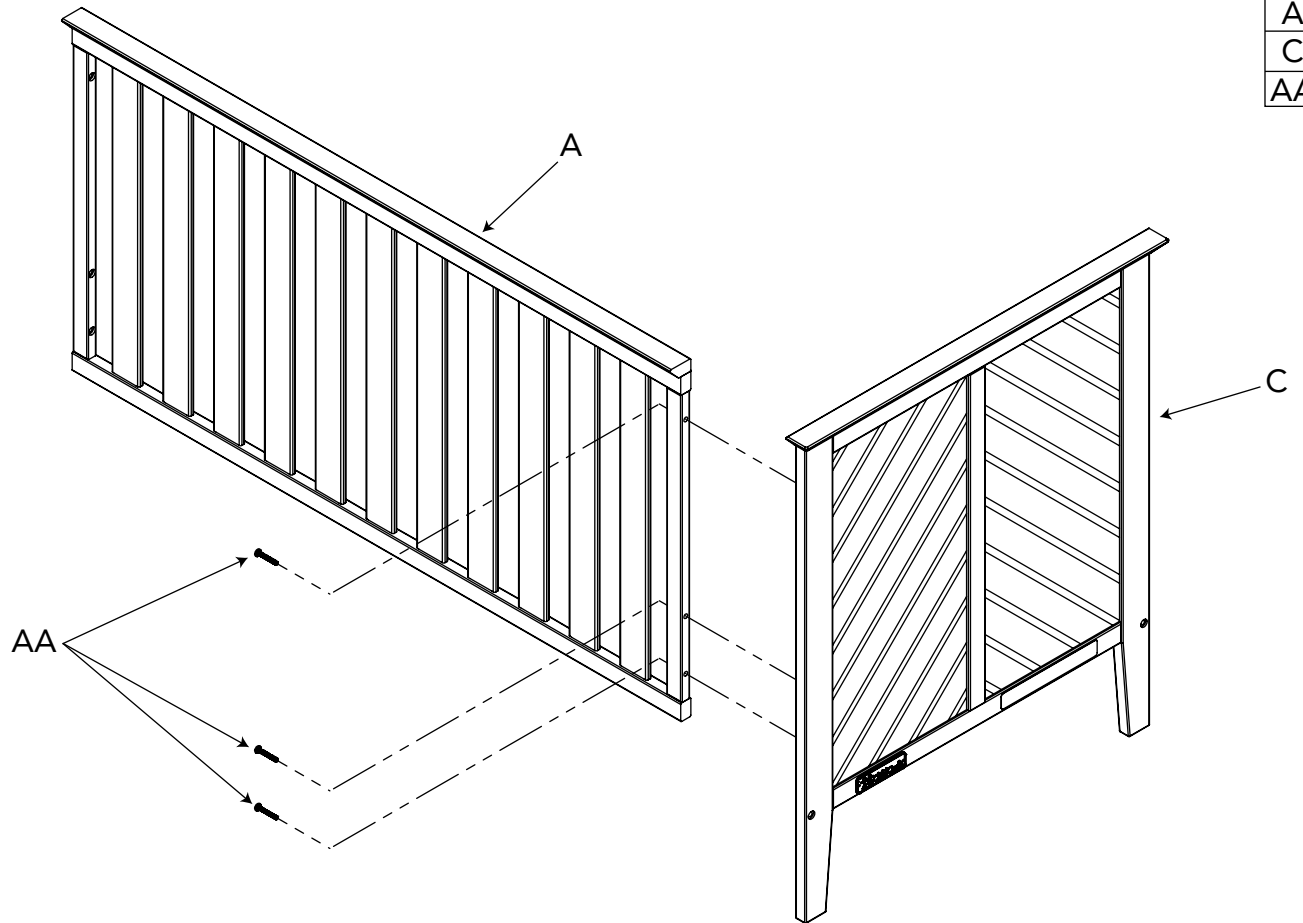
AB20477_G3

Hardware Package



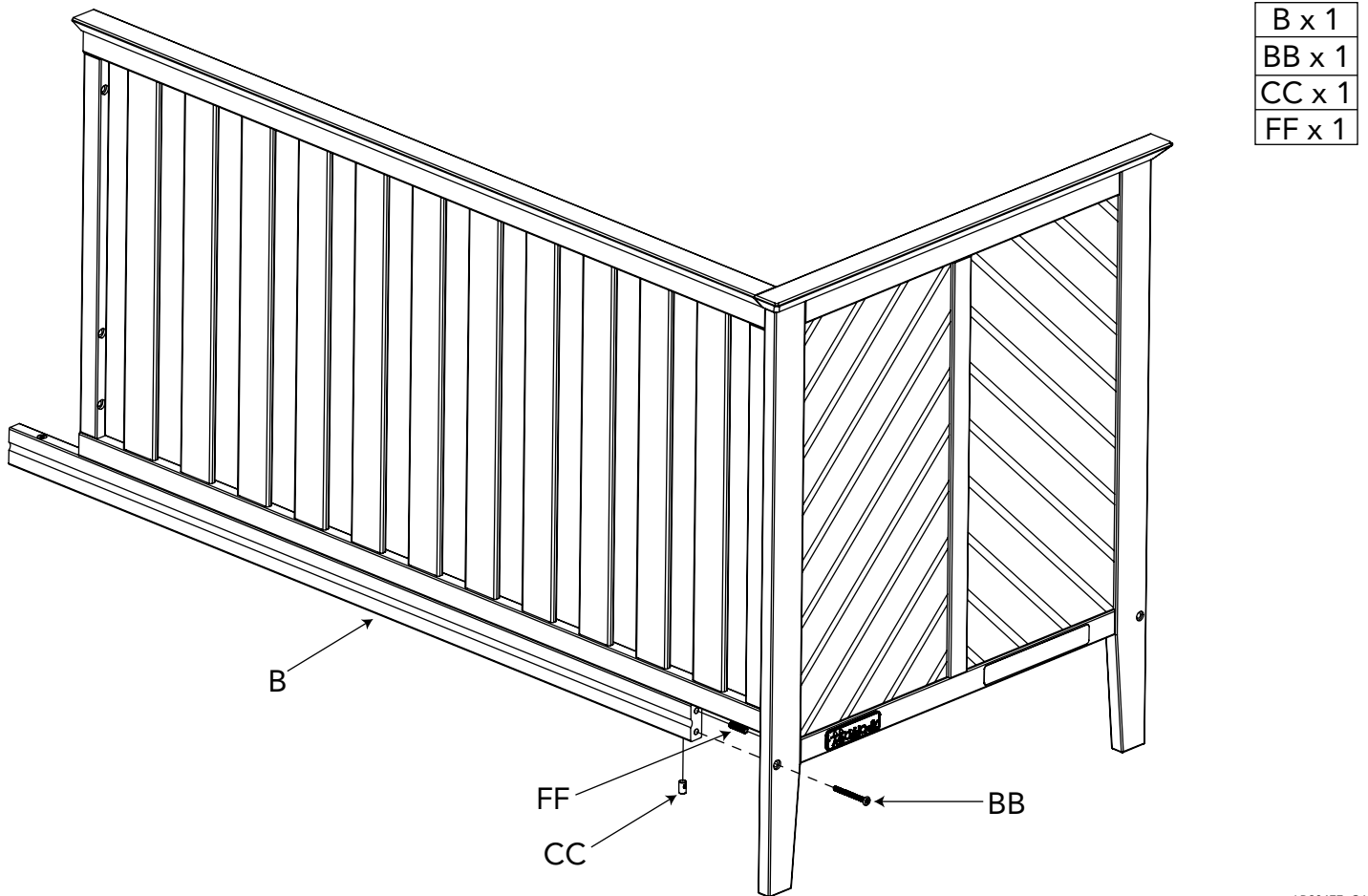
AB20477_G4

STEP 1



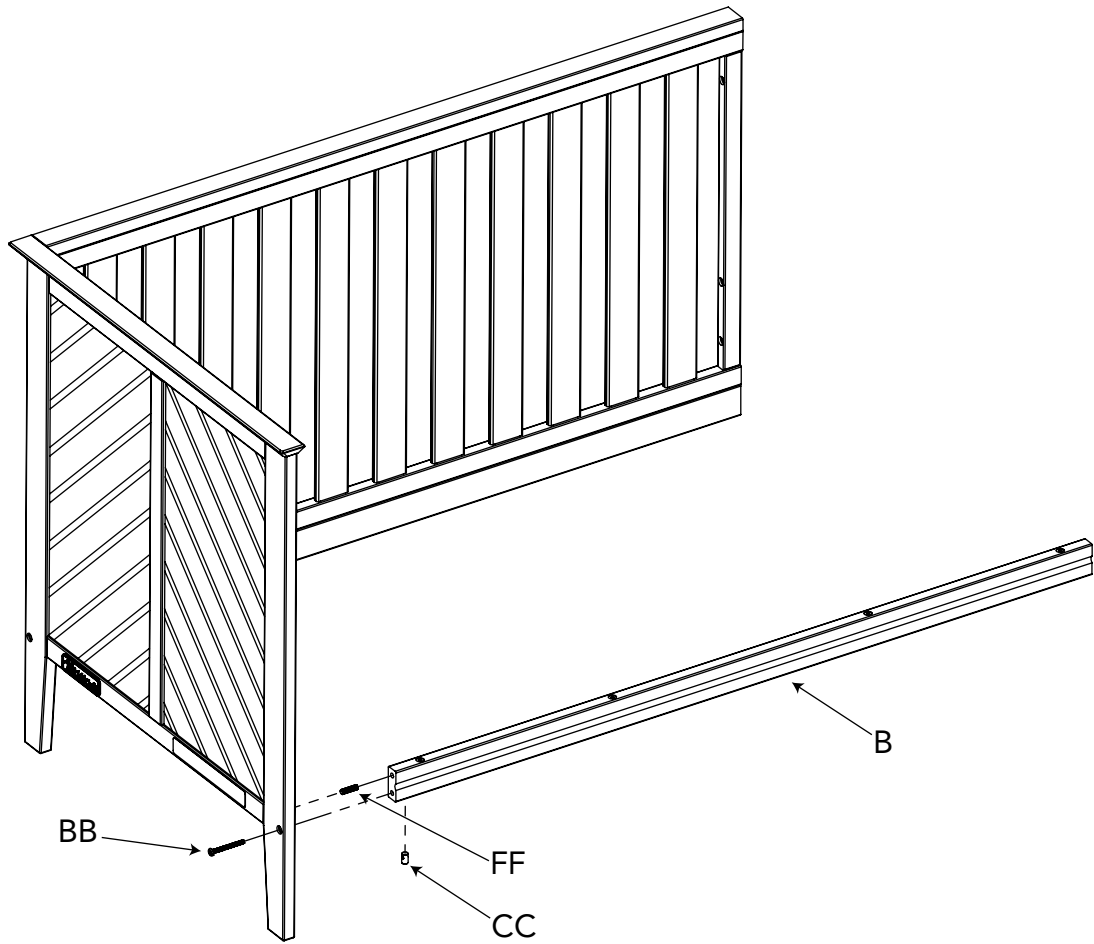
AB20477_G5

STEP 2



AB20477_G6

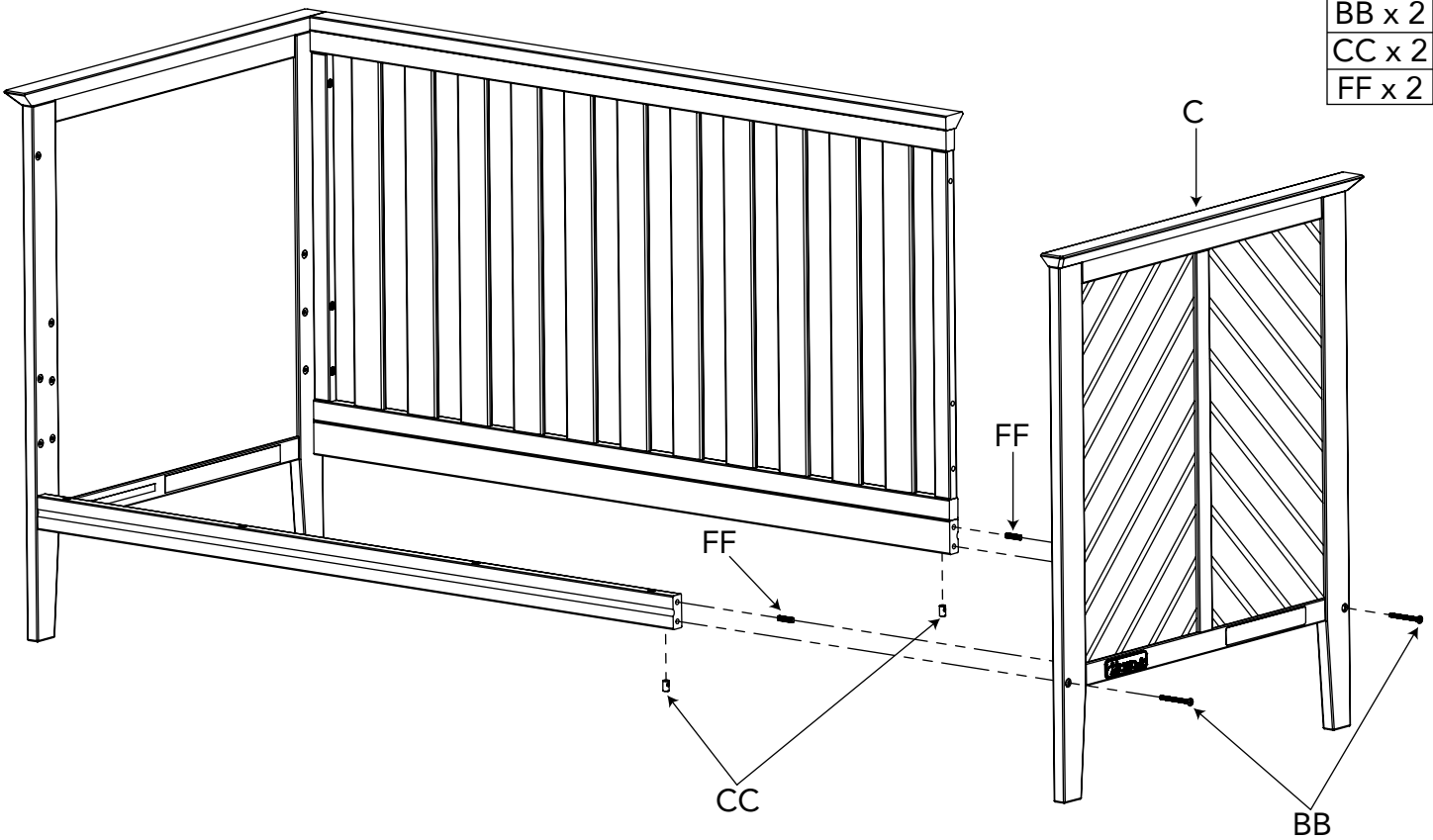
STEP 3



B x 1
BB x 1
CC x 1
FF x 1

AB20477_G7

STEP 4

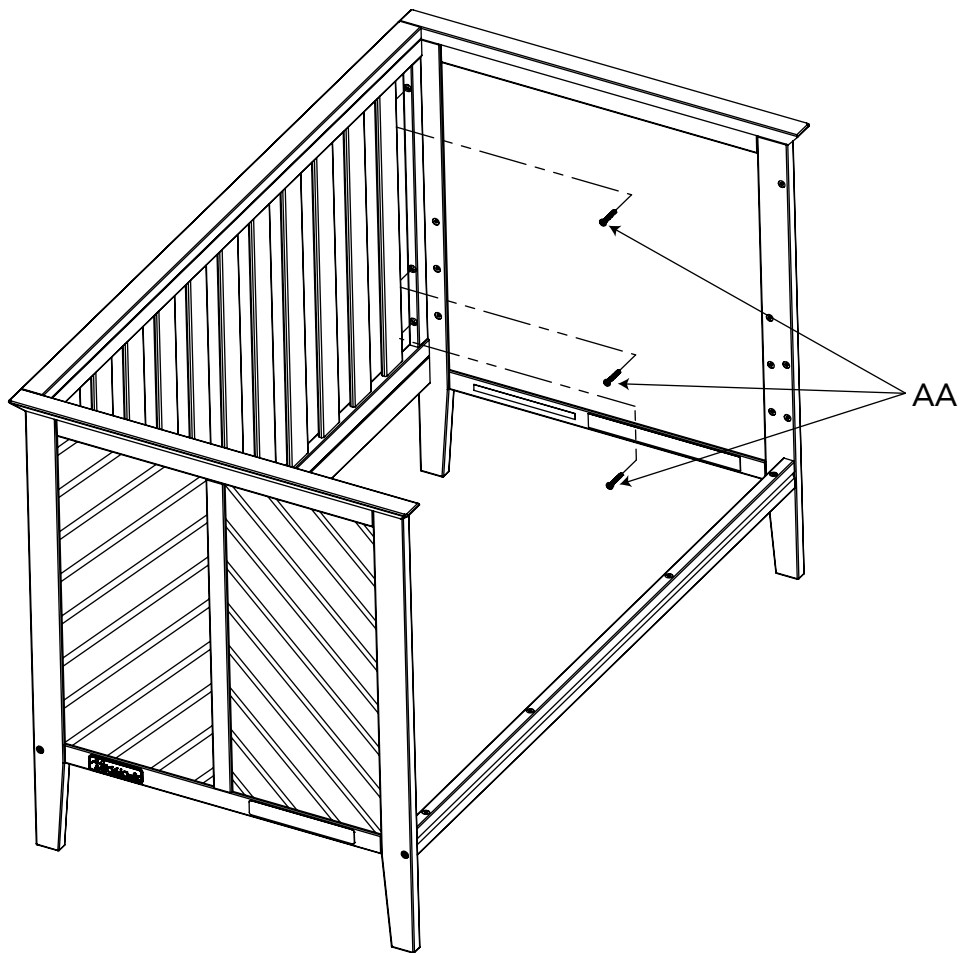


C x 1
BB x 2
CC x 2
FF x 2

AB20477_G8

STEP 5

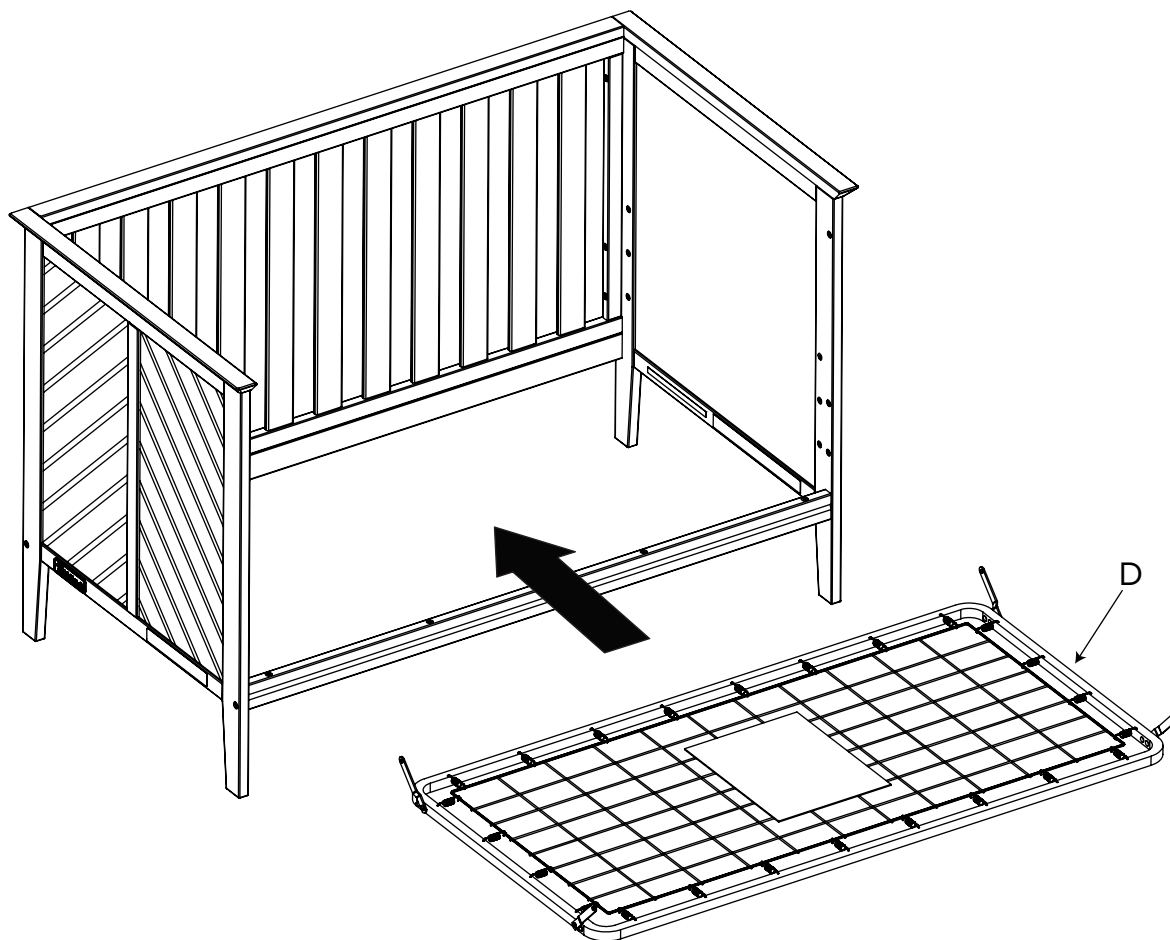
AA x 3



AB20477_G9

STEP 6

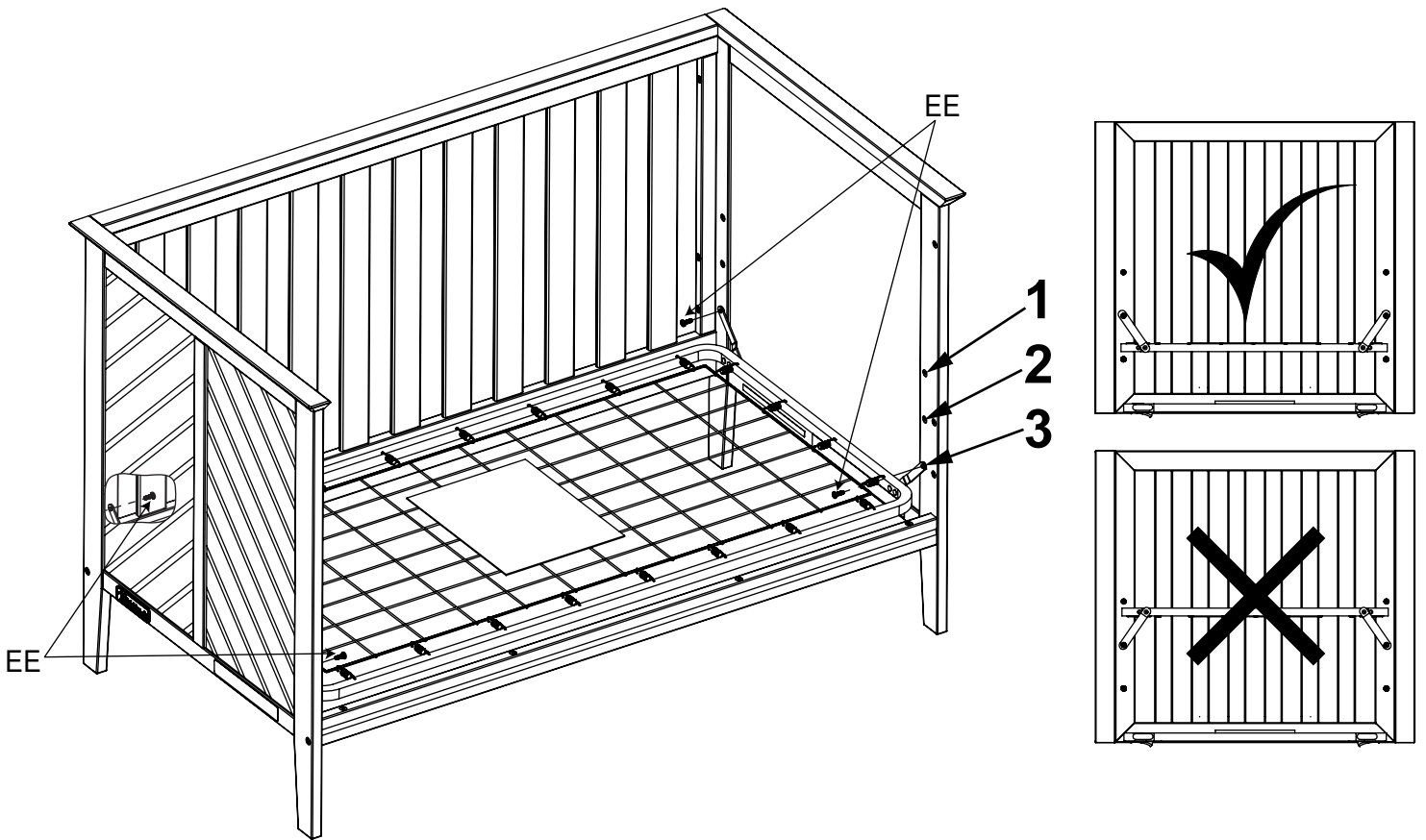
D x 1



AB20477_G10

STEP 7

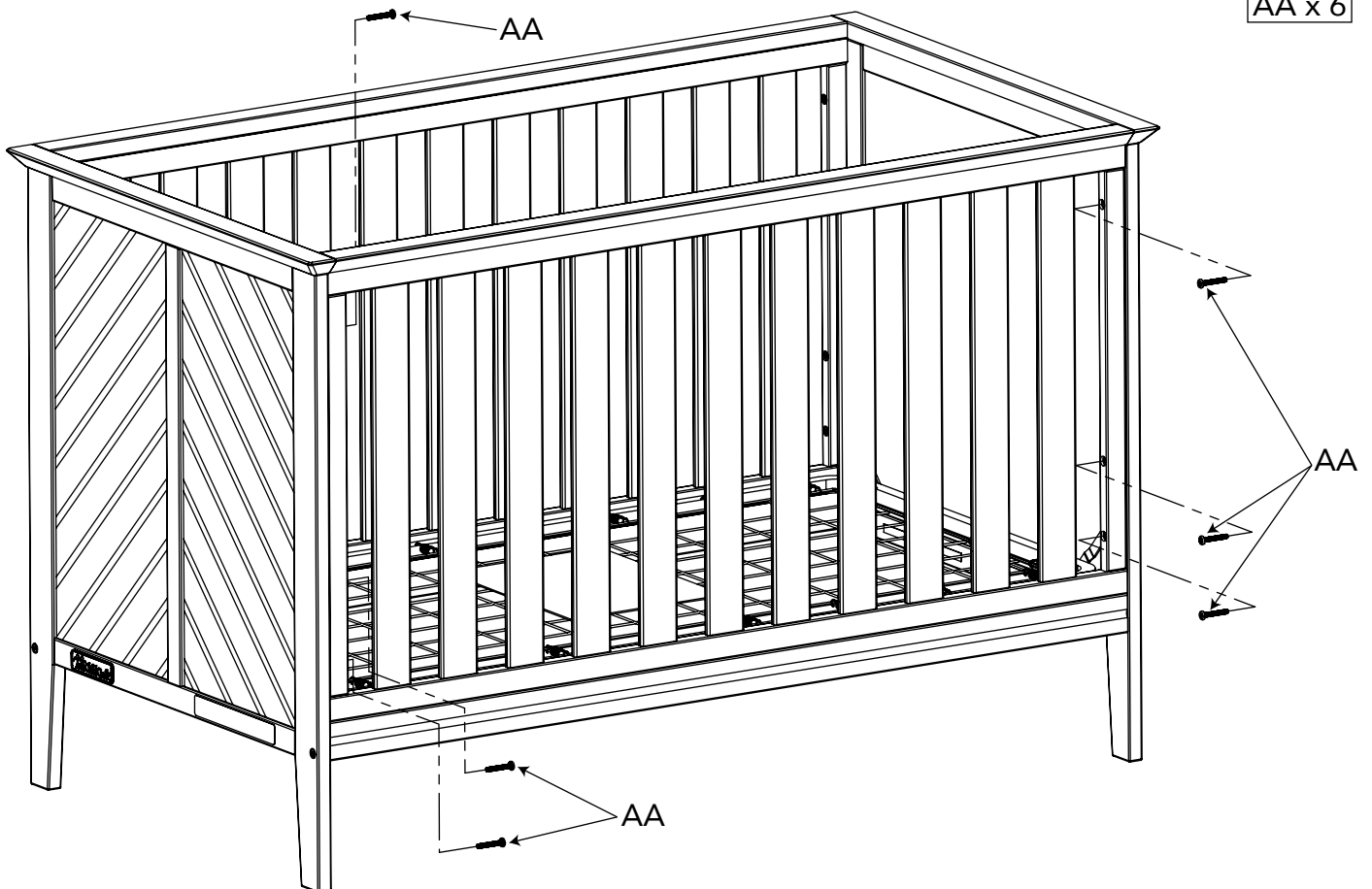
EE x 4



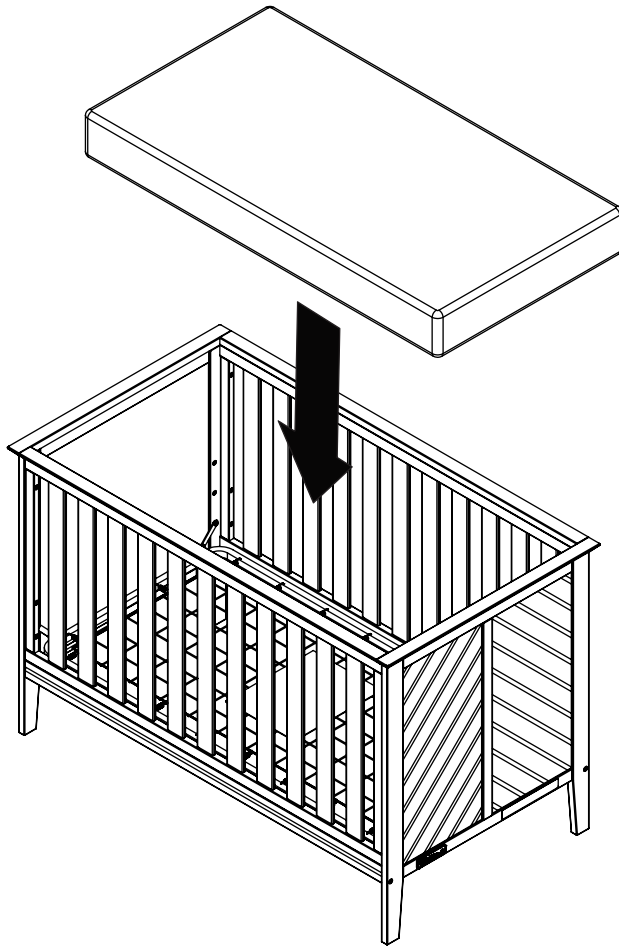
AB20477_G16

STEP 8

AA x 6



AB20477_G11



Place a purchased full sized mattress on the spring.

The warnings for the United States can be found after the maintenance, cleaning, and storage information section.

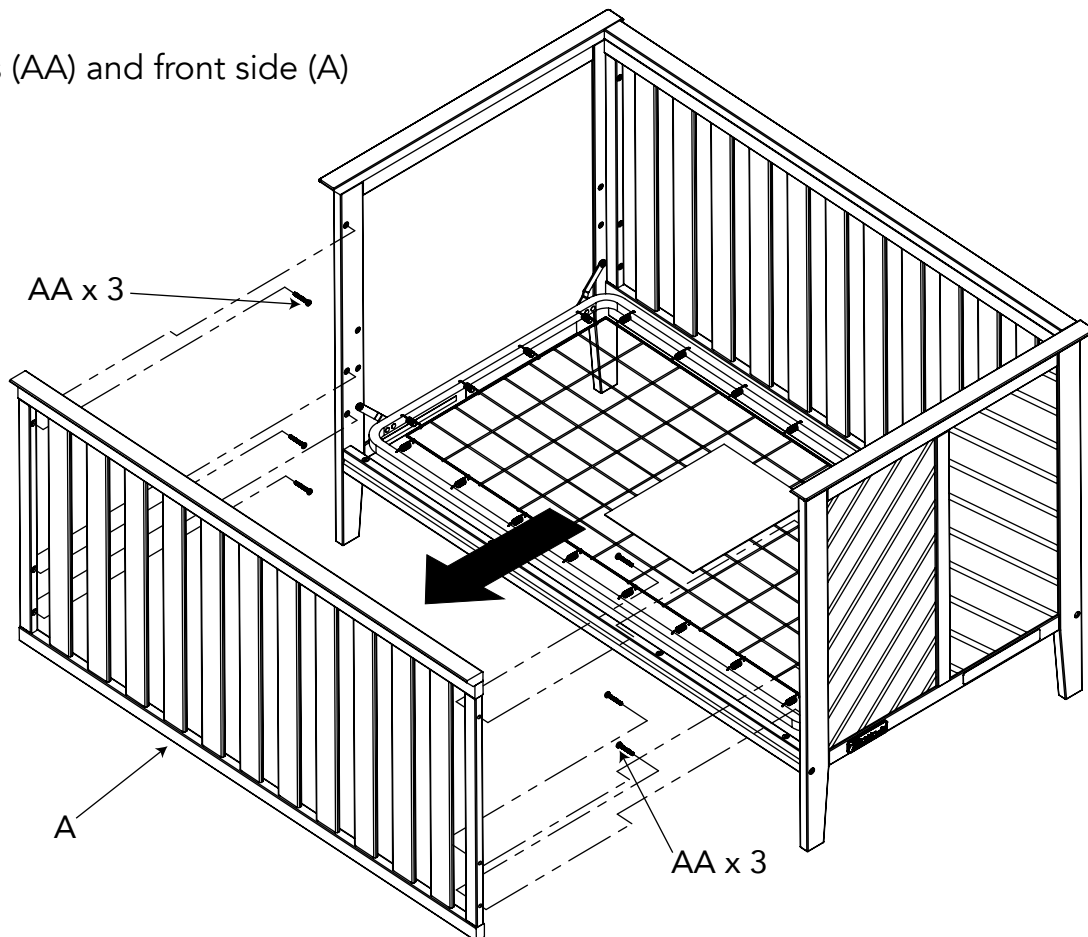
AB20477_G13

CAUTION

- **ANY MATTRESS USED IN THIS CRIB SHALL BE AT LEAST 27 1/4 BY 51 5/8 IN. WITH A THICKNESS NOT EXCEEDING 6 IN. IF YOUR CRIB IS DESIGNED TO CONVERT TO A TODDLER BED, THE MATTRESS MUST BE AT LEAST 4 IN. (100 MM) THICK.**

TODDLER BED CONVERSION

- Remove bolts (AA) and front side (A)



AB20477_G12



WARNINGS (For Toddler Bed)



WARNING: INFANTS HAVE DIED IN TODDLER BEDS FROM ENTRAPMENT. Openings in and between bed parts can entrap head and neck of a small child. NEVER use bed with children younger than 15 months. ALWAYS follow assembly instructions.



WARNING: STRANGULATION HAZARD: NEVER place bed near windows where cords from blinds or drapes may strangle a child. NEVER suspend strings over bed. NEVER place items with a string, cord or ribbon, such as hood strings or pacifier cords, around a child's neck. These items may catch on bed parts.

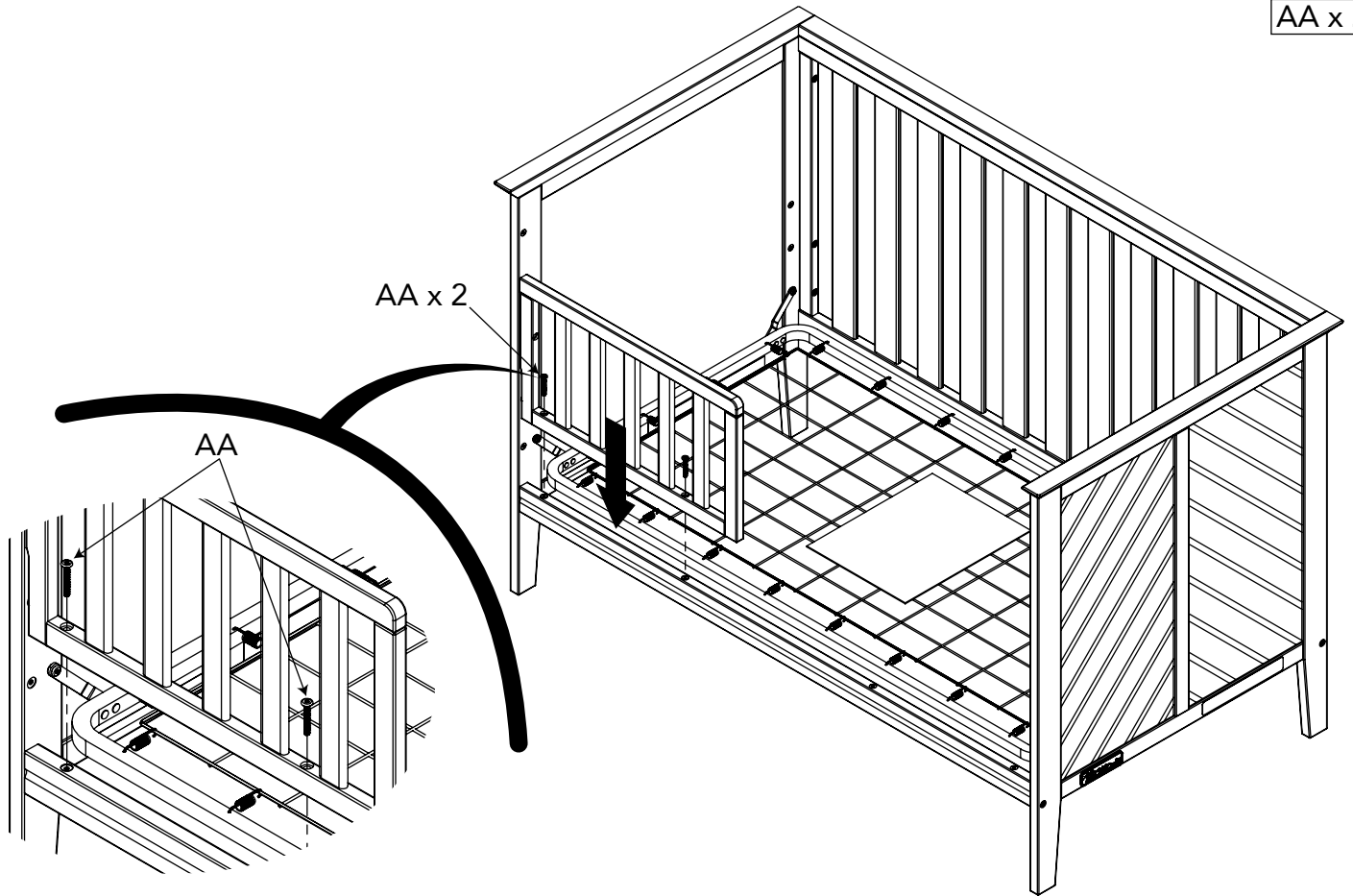


CAUTION: ENTRAPMENT HAZARD: To avoid dangerous gaps, any mattress used in this bed shall be a full-sized crib mattress at least 51 5/8 in. (1310 mm) in length, 27 1/4 in. (690 mm) in width, and 4 in. (100 mm) in thickness.

- The users maximum weight shall not be greater than 50 lbs. (22.7 kg).
- Mattress MUST be moved into lowest position for proper positioning.
- This crib contains all components necessary to convert to a toddler bed. However, a guardrail may be available for purchase to provide additional security. Contact Child Craft for assistance. Refer to maintenance section for contact information.

GUARD RAIL OPTION & INSTALLATION STEP 1

AA x 2



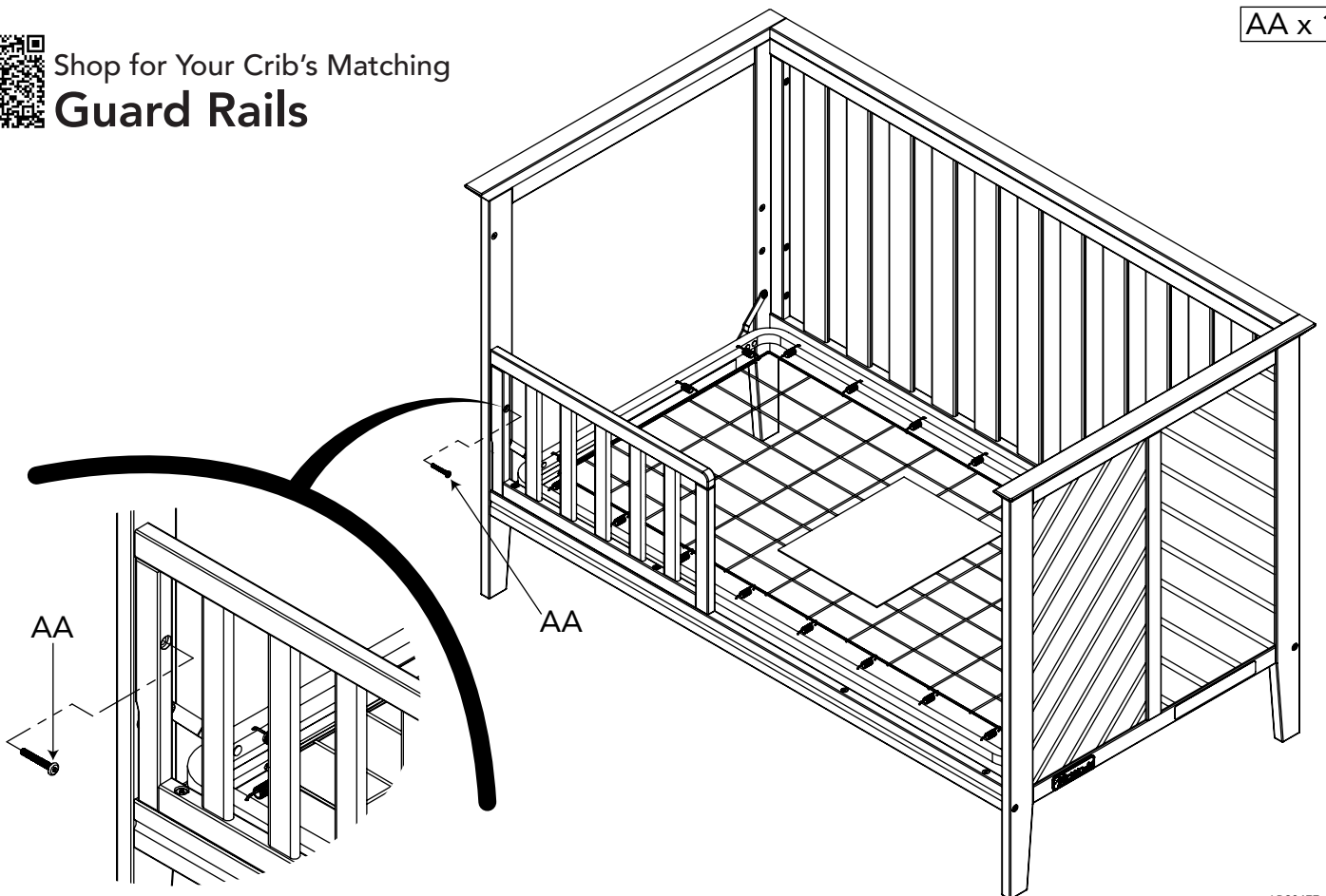
AB20477_G14

GUARD RAIL OPTION & INSTALLATION STEP 2

AA x 1



Shop for Your Crib's Matching
Guard Rails



AB20477_G15

Guard Rail option is a complete kit that can be purchased separately from your Child Craft dealer.

MAINTENANCE, CLEANING, AND STORAGE

MAINTENANCE:

Upon completion of the assembly, check to make sure all screws, bolts and connectors are tightened and secure. Periodically check crib for damaged hardware, loose joints, missing parts or sharp edges before and after assembly and frequently during use.

DO NOT use crib if any parts are missing or broken.

If any parts are missing, broken or you need assistance DO NOT return crib to your dealer.

Call Child Craft at 330.723.0599 and include model identification numbers recorded on page 1.

DO NOT substitute parts.

CLEANING:

Mix a mild solution of gentle dishwashing soap and water, apply to surface using a clean cloth lightly dampened in the solution. Rinse well with clear water using a soft clean cloth, then dry all surfaces with a soft dry cloth.

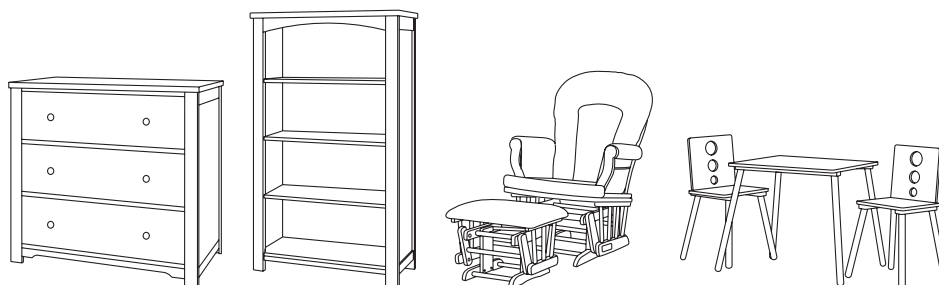
DO NOT use abrasive cleaners or any cleaners with harsh chemicals that would contact a child's skin, scouring pads, steel wool or coarse rags. This crib should be treated the same as any fine furniture.

STORAGE:

When storing crib use caution as extreme temperature or humidity changes could be harmful.

Use caution when a vaporizer is in use. Always aim vapor stream away from crib as well as away from any wood furniture item.


After completing the assembly, the user is advised to read and be aware of ALL WARNINGS, CAUTIONS, CLEANING, STORAGE USE, AND MAINTENANCE notices in these directions and printed on the storage pouch on the crib spring. A printed pouch is attached to the crib spring for the permanent storage of the assembly directions. Please place the complete set of assembly directions into the pouch for future referral. We caution the user to not place excess hardware in the pouches as it could present danger to the child if retrieved.



Shop More for Your
**Nursery, Toddler,
Playroom & Beyond**

WARNING

**FAILURE TO FOLLOW THESE WARNINGS AND THE ASSEMBLY INSTRUCTIONS
COULD RESULT IN SERIOUS INJURY OR DEATH.**

 WARNING: Infants can suffocate on soft bedding. **NEVER** add a pillow or comforter. **NEVER** place additional padding under an infant.

- Read all instructions before assembling crib. Keep instructions for future use. A pouch is attached to the crib for permanent storage of the instructional literature.
- To reduce the risk of SIDS, pediatricians recommend healthy infants be placed on their backs to sleep, unless otherwise advised by your physician.
- Strings can cause strangulation! **DO NOT** place items with a string around a child's neck, such as hood strings or pacifier cords. **DO NOT** suspend strings over a crib or attach strings to toys.
- To help prevent strangulation, tighten all fasteners. A child can trap parts of the body or clothing on loose fasteners.
- **DO NOT** place crib near window where cords from blinds or drapes may strangle a child.
- When child is able to pull to standing position, set mattress to lowest position and remove bumper pads, large toys and other objects that could serve as steps for climbing out.
- Stop using crib when child begins to climb out or reaches the height of 35 in. (89 cm).
- After raising side, make sure latches are secure (if your unit has a movable side).
- **DO NOT** leave child in crib with side lowered. Be sure side is in raised and locked position whenever child is in crib (if your crib has a moveable side).
- Check this product for damaged hardware, loose joints, loose bolts or other fasteners, missing parts or sharp edges before and after assembly and frequently during use. Securely tighten bolts and other fasteners. **DO NOT** use the crib if any parts are missing, damaged or broken. If any parts are missing or broken or you need assistance with assembly, **DO NOT** return the product to your dealer. Call Child Craft for assistance at 1.330.723.0599 for replacement parts and instructional literature if needed. Include model identification numbers recorded on page 1 with your request. **DO NOT** substitute parts.
- Replace teething rail(s) if damaged, cracked or loose (if equipped with teething rails).
- If refinishing use a non-toxic finish specified for children's products.
- Follow warnings on all products in a crib.
- **NEVER** use plastic shipping bags or other plastic film as mattress covers because they can cause suffocation.
- Infants can suffocate in gaps between crib sides and a mattress that is too small.
- **DO NOT** use a water mattress with this crib.
- When disassembling this crib, **DO NOT** remove any item attached with wood screws.

**Meets CPSC
Safety Requirements**



5216 Portside Dr.
Medina, Ohio 44256 USA
Telephone: 330.723.0599
Fax: 330.722.5037
www.childcraftbaby.com

IMPORTED BY:
Foundations Worldwide Inc.
30 Casebridge Court
Scarborough, ON M1B 3M5 CAN
330.722.5033