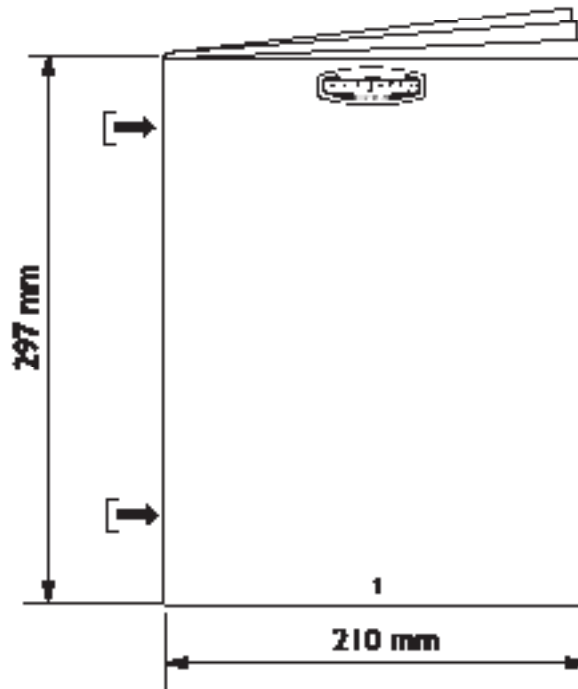


**This page is for printing and document
formatting specifications only.
THIS PAGE DOES NOT PRINT**



DO NOT scale the artwork for printing. Each page has been scaled for proper scaling of parts.

Page 1 will be the cover page and first page printed after this specification page. Any blank pages needed will be placed at the end of the booklet.

Printer to arrange booklet pages in proper sequence according to page number.



Foundations Worldwide, Inc.
 5216 Portside Dr., Medina, OH 44256 USA • PH: 1 330.722.5033 • FAX: 1 330.722.5037
 www.childcraftbaby.com

Stella™ 4-in-1 Convertible Crib

Model Covered: F32201

KEEP INSTRUCTIONS FOR FUTURE USE.

THIS IS THE ASSEMBLY INSTRUCTIONS FOR CRIBS SOLD IN THE UNITED STATES

**FOR CUSTOMER SERVICE CALL
 1-877-716-2757
 (outside of U.S. 330-722-5033). DO NOT CALL
 RETAILER OR RESELLER FOR SERVICE
 AS THEY ARE NOT AUTHORIZED TO
 RESOLVE ANY SERVICE ISSUES.**

**FOR WARRANTY AND FEDERAL SAFETY STANDARD
 COMPLIANCE CERTIFICATES, PLEASE VISIT OUR
 WEBSITE AT
 www.childcraftbaby.com**

ASSEMBLY ASSISTANCE

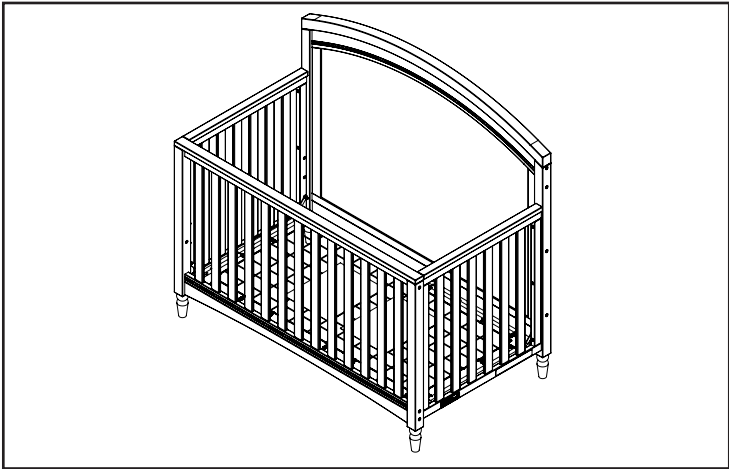
IMPORTANT: Retain for future reference and read carefully.

Foundations strives for the highest quality in our products but occasionally a missing part or problem can occur during assembly.

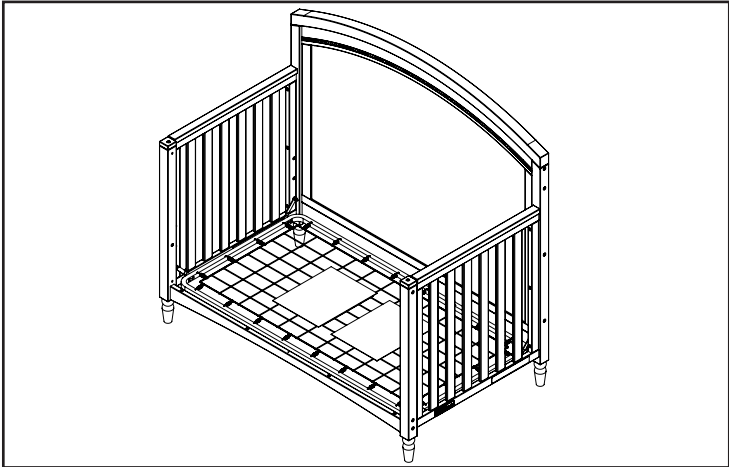
If any parts are missing or broken or you need assistance with assembly, DO NOT return the product to your dealer. Go to our website at www.foundations.com or call Foundations for assistance at 1-877-716-2757 (U.S. Only) or 1-330-722-5033 (Monday through Friday, 9:00 a.m.– 4:00 p.m. Eastern Time). Please have the model number and manufacture date available when you call or write us at:
 Foundations, 5216 Portside Dr., Medina, OH 44256

ASSEMBLY INSTRUCTIONS

- Adult assembly required.
- Read all instructions BEFORE assembly and USE of product.
- Unpack carton, remove packing materials, including polybag. Identify and check all parts.



Assembled as Crib



Assembled as Toddler Bed

Record the information for your product here:

Model number: _____

Manufacture date: _____

PO number: _____

PARTS LIST BASIC CRIB

Part Description	Part Number	Quantity
A. Top Rail Assembly	22303447	1
B. Panel	22303446	1
C. Bottom Rail	22303445	1
D. Bottom Back Rail	22303472	1
E. End Rail - Left	22303477	1
F. End Rail - Right	22303476	1
G. Back Post - Left	22303466	1
H. Back Post - Right	22303467	1
I. Front Assembly	22303454	1
J. Front Post - Left	22303469	1
K. Front Post - Right	22303468	1
L. Stretcher	22303470	1
M. Short Head Assembly	22303471	1
N. Short Foot Assembly	22303457	1
P. Spring	11201062	1
Q. Post Cap	22303478	2
R. Leg	22303480	4
S. Allen Head Bolt 6mm x 80mm	11200971	6
T. Allen Head Bolt 6mm x 70mm	11200997	2
U. Allen Head Bolt 6mm x 60mm	11201015	8
V. Allen Head Bolt 6mm x 17mm	11200976	8
W. Allen Head Bolt 6mm x 30mm	11201123	6
X. Allen Head Bolt 6mm x 45mm	11200974	12
Y. Steel Pin	11201002	1
Z. Dowel 8mm x 30mm	11200969	11
AA. Joint Connector Nut	11200970	8
BB. Connector Nut	11201001	4
CC. Allen Wrench	11200978	2

PREPARATION

Carefully remove and lay out all hardware and parts. Check quantities and match the parts list. Construct Crib on an even flat floor.

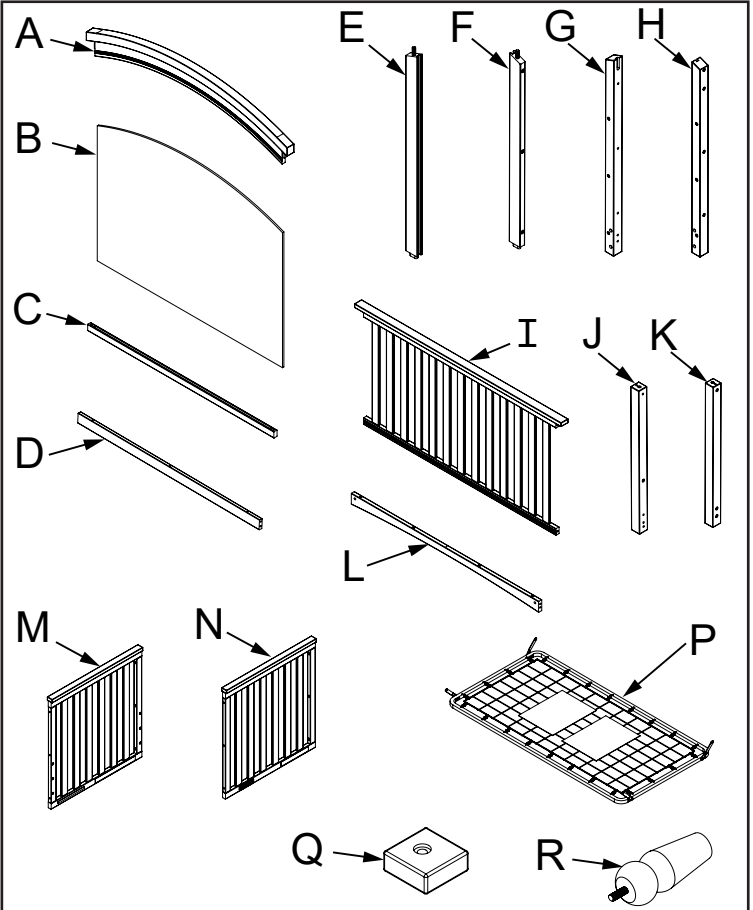
Note: during the assembly process whenever using screws or bolts, check each with the parts list by letter and size identification. Place each screw or bolt on the diagram of the item which is sketched actual size. Be sure to use the proper size specified in the assembly directions. If any parts are missing or broken or you need assistance with assembly **DO NOT return your product to the dealer.** Please identify the crib by the model number identification stamped on the inside face of the Foot and Head Assemblies when you call or write to Foundations. Make note of all identification numbers and include this information with your request.

The Allen Head Bolt bolt (V) has a friction enhancing patch on the thread which may cause resistance during tightening.

DO NOT Substitute Parts!

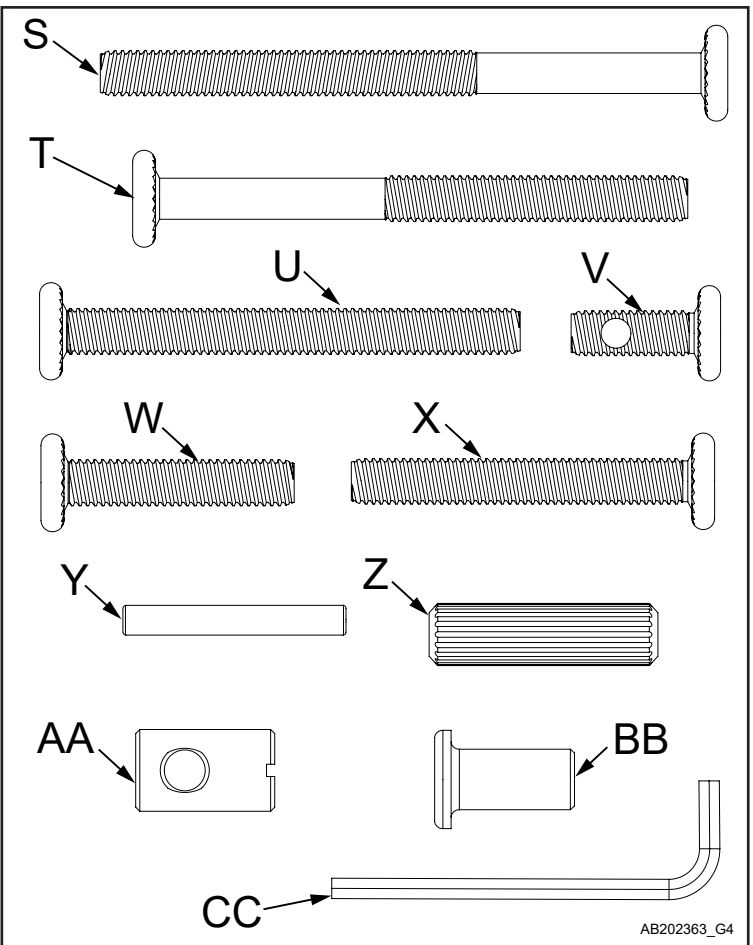
SUGGESTED TOOLS

1/4 In. Flat Head Screwdriver



AB20363_G3

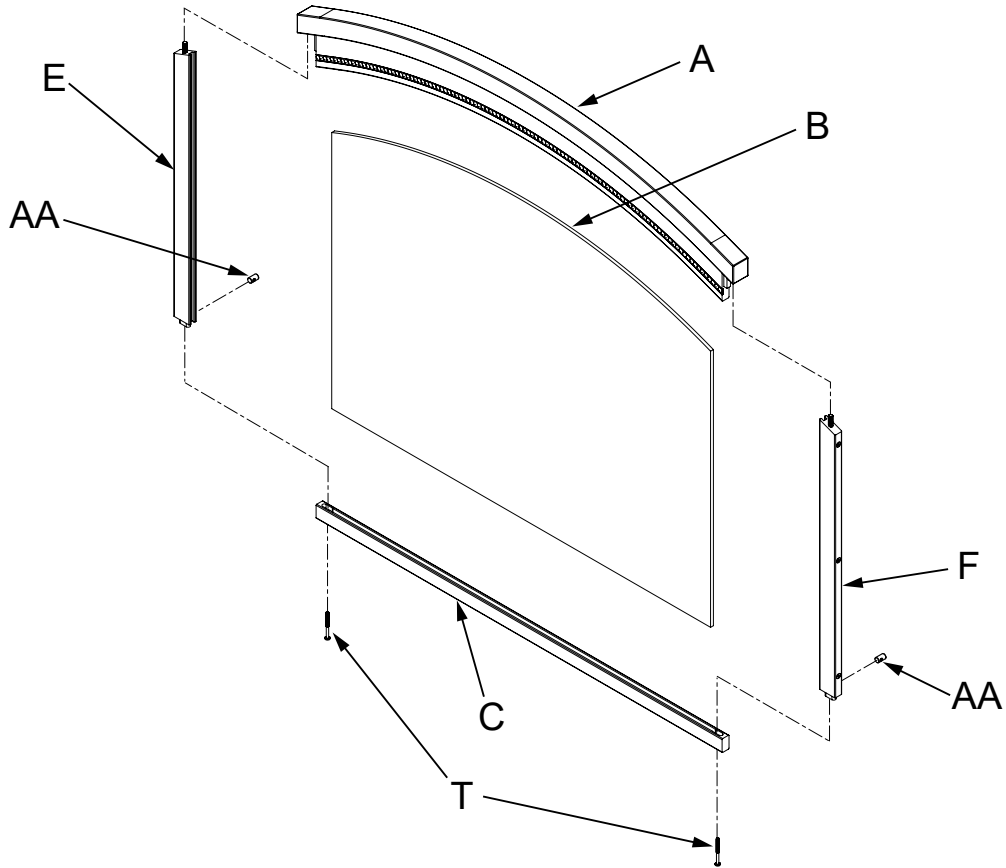
Crib Parts



AB202363_G4

Hardware Package

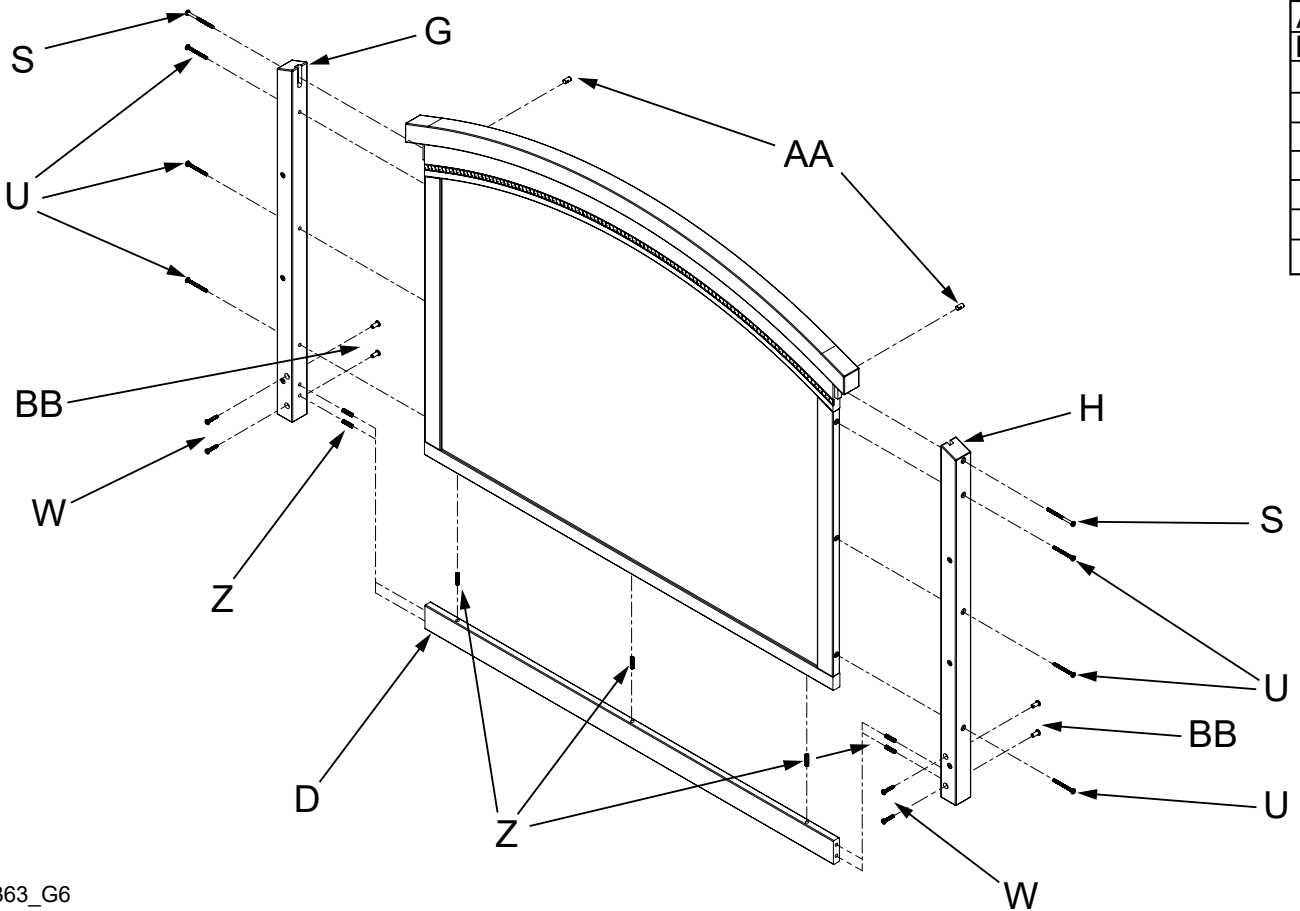
STEP 1



E x 1
F x 1
T x 2
A x 1
C x 1
AA x 2
B x 1

AB20363_G5

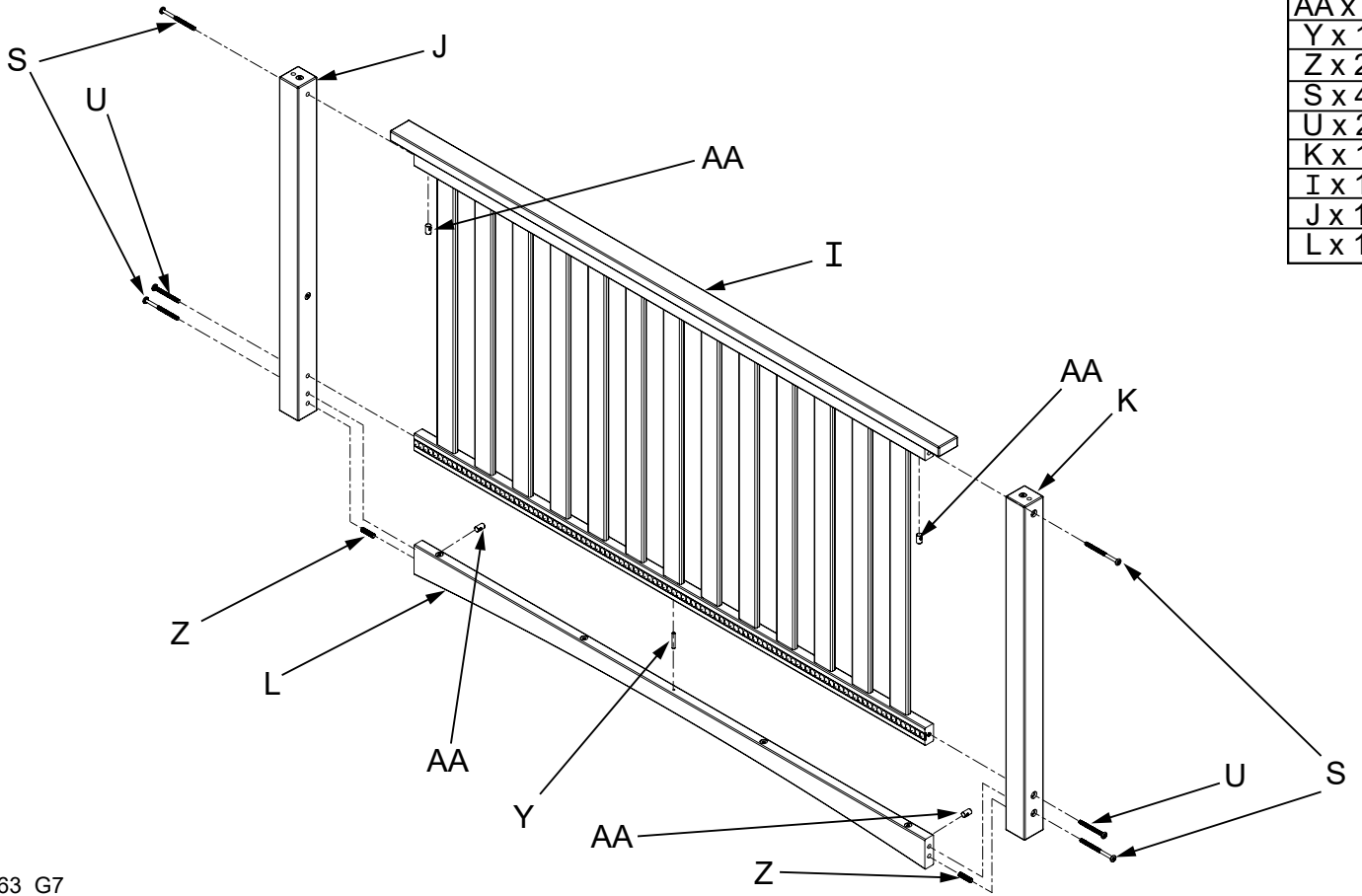
STEP 2



AA x 2
BB x 4
U x 6
W x 4
H x 1
G x 1
D x 1
Z x 7
S x 2

AB20363_G6

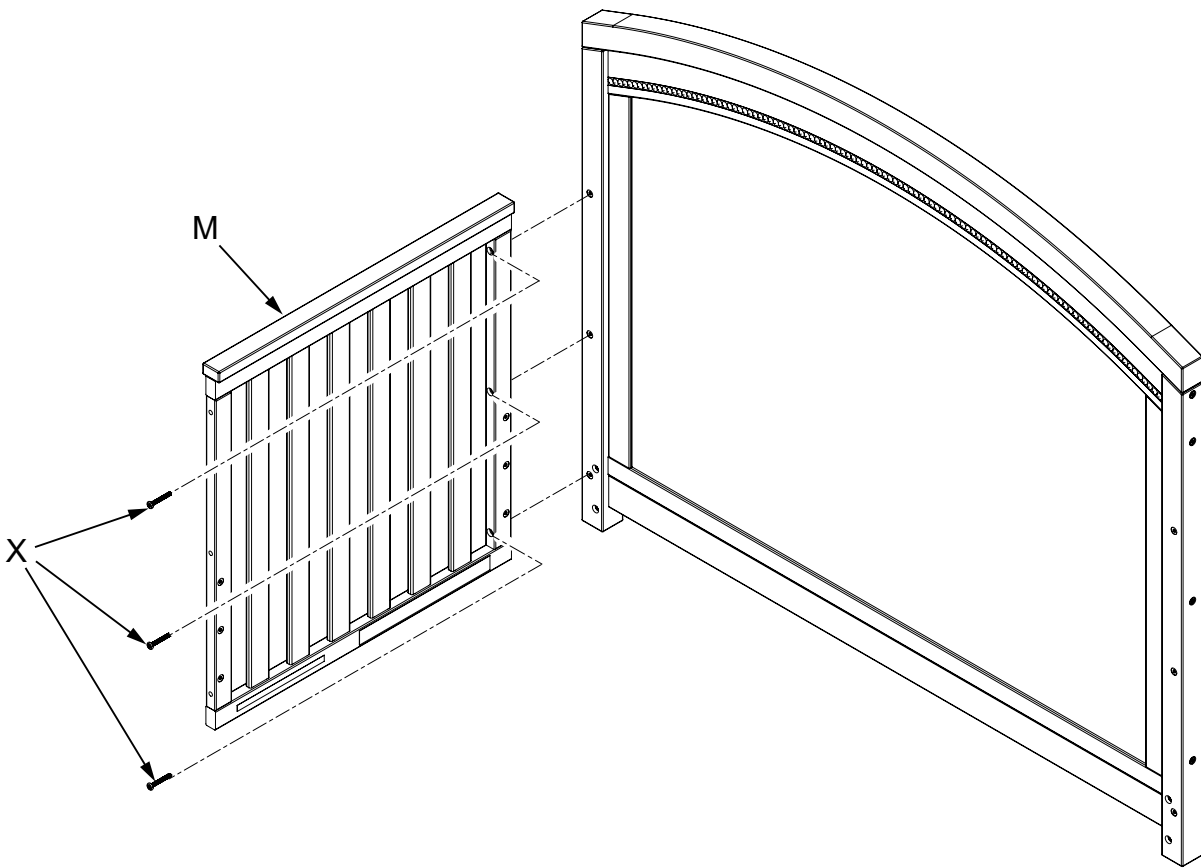
STEP 3



AA x 4
Y x 1
Z x 2
S x 4
U x 2
K x 1
I x 1
J x 1
L x 1

AB20363_G7

STEP 4

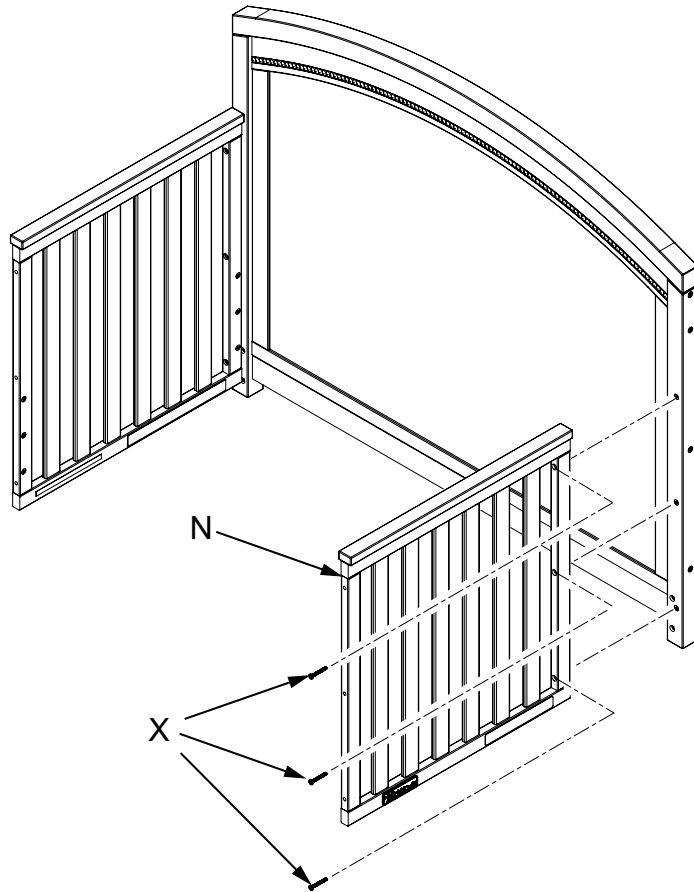


M x 1
X x 3

AB20363_G8

STEP 5

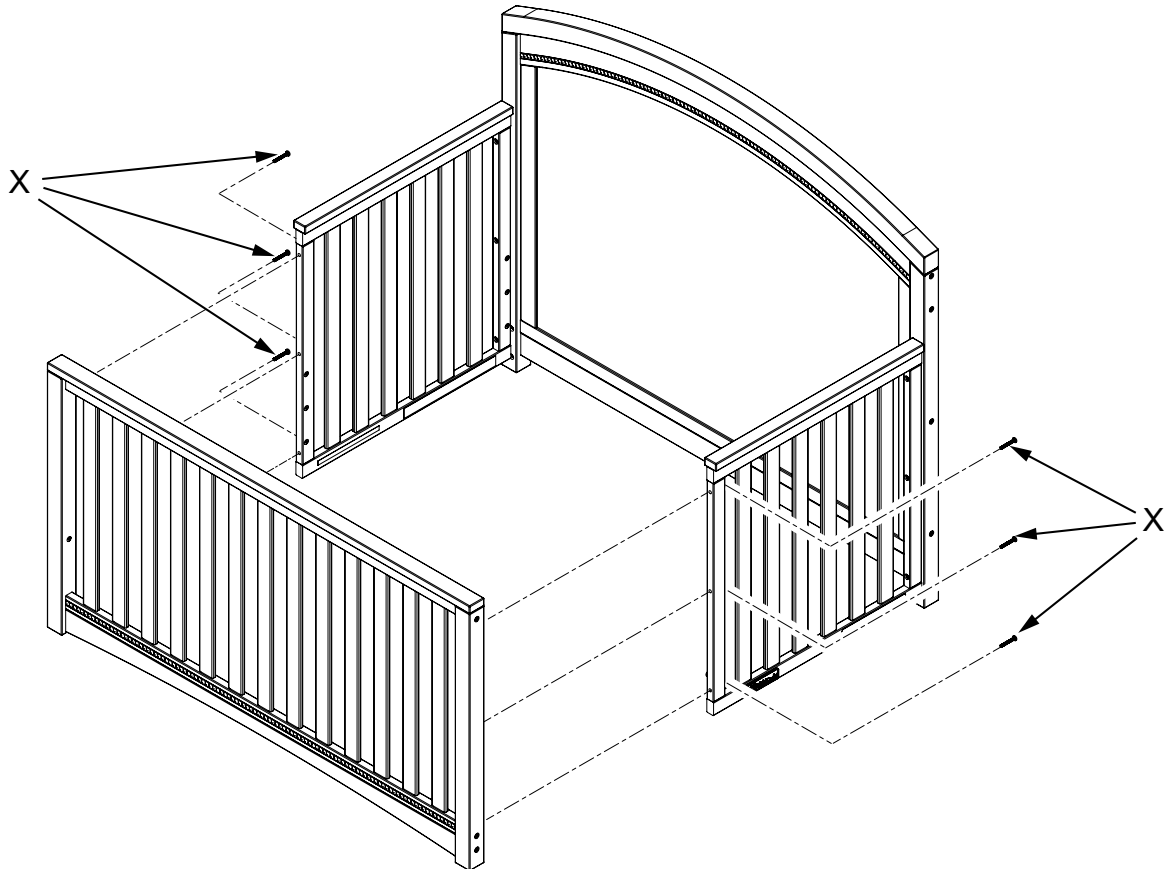
N x 1
X x 3



AB20363_G9

STEP 6

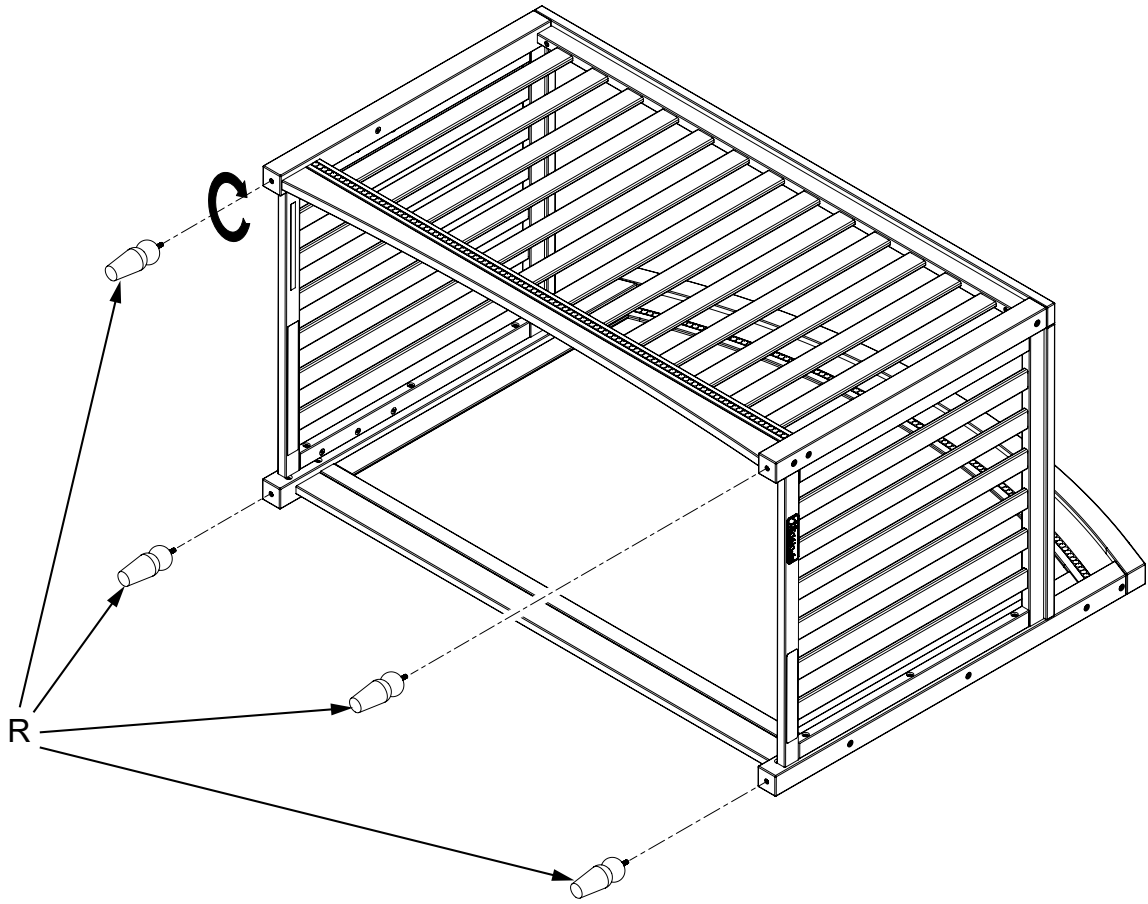
X x 6



AB20363_G10

STEP 7

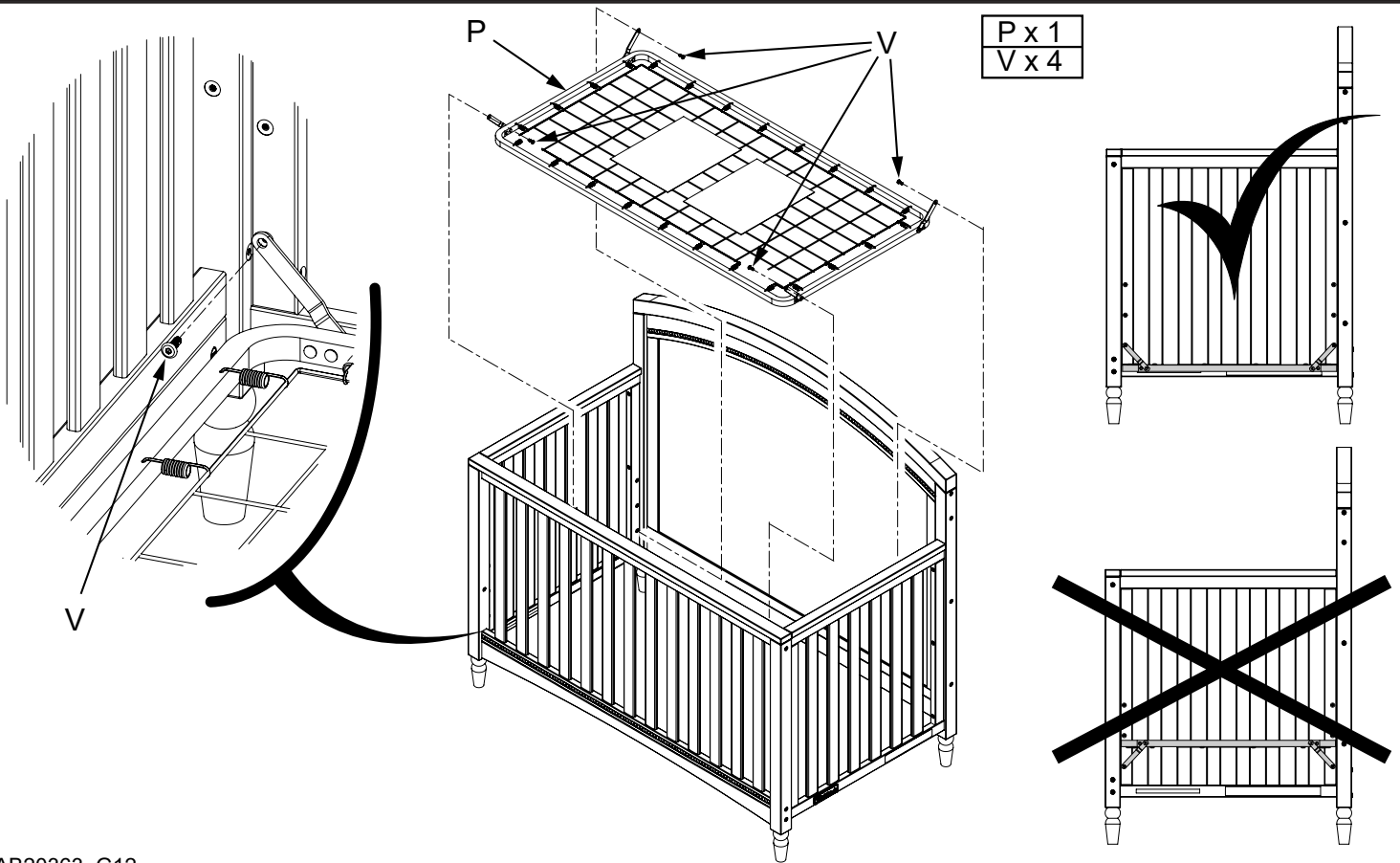
R x 4



AB20363_G11

STEP 8

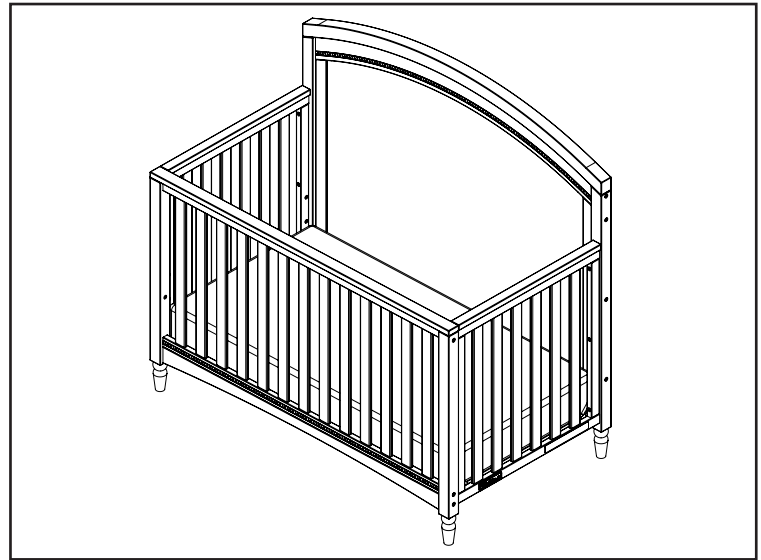
P x 1
V x 4



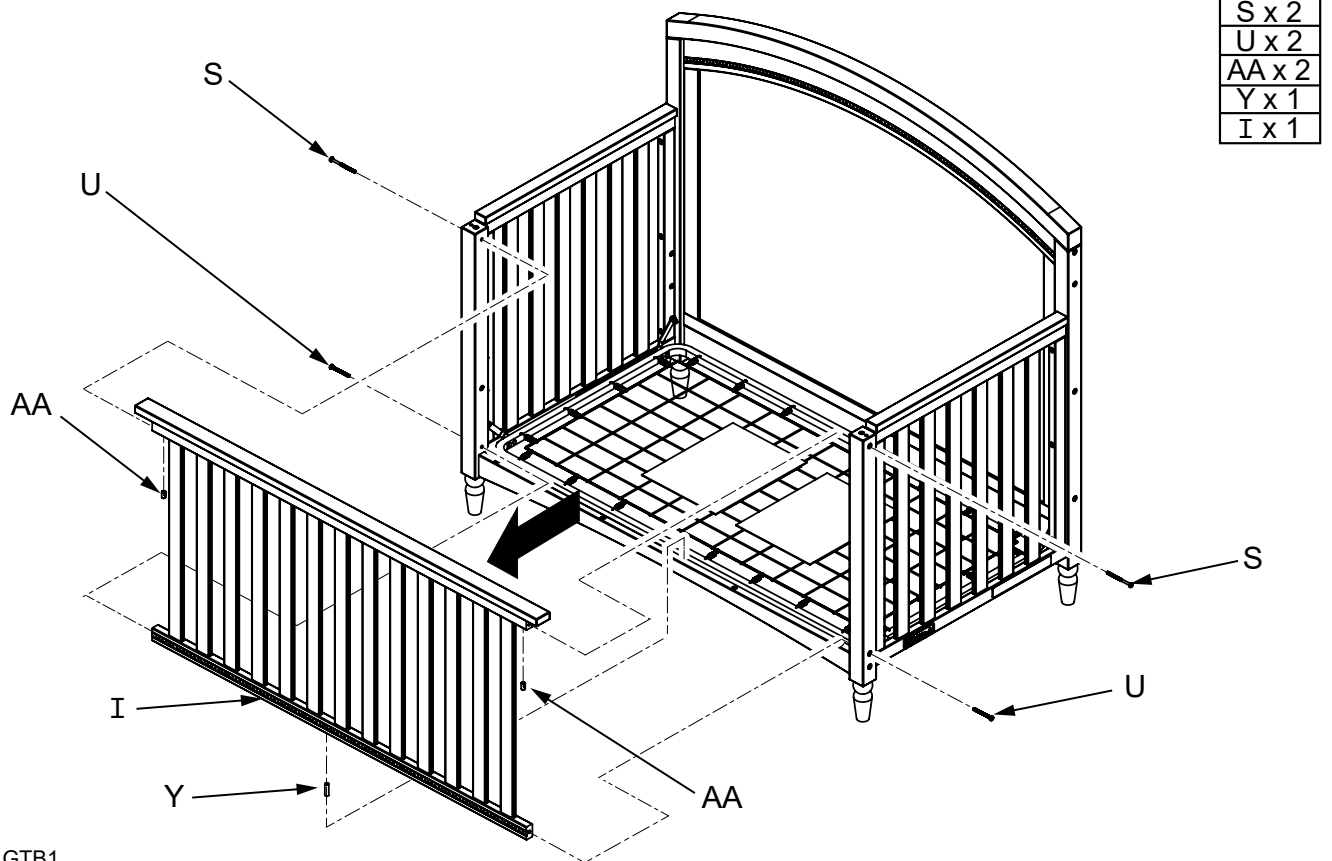
AB20363_G12

Finishing Touches

Place a purchased full sized mattress on the spring. After completing the crib assembly, and after making yourself aware of **WARNINGS, CAUTIONS, CLEANING, STORAGE, USE** and **MAINTENANCE** of crib on pages 10 and 11, store the assembly directions in the pouch which was pre-attached to the spring. For future referral to assembly directions you will only need to remove them from the pouch. We caution you not to store excess hardware in pouch as this would be a danger to child if retrieved by him/her.

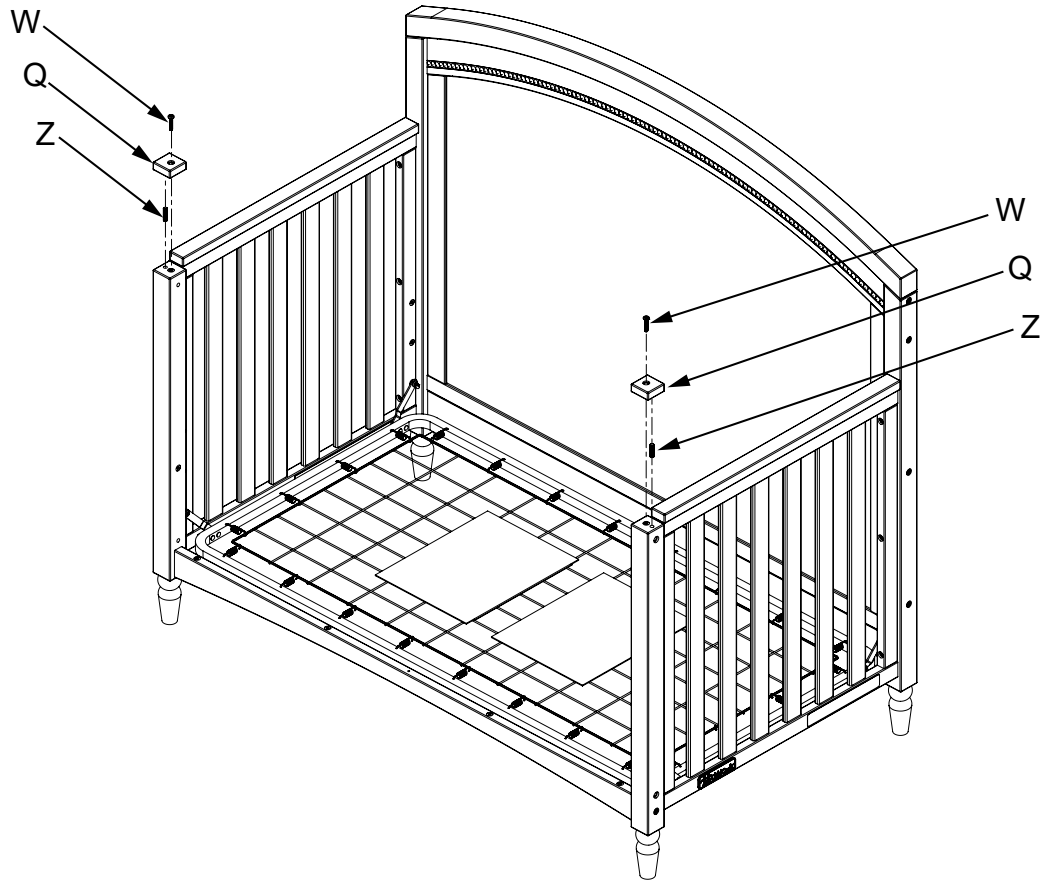


TODDLER BED / GUARD RAIL STEP 1



AB20363_GTB1

TODDLER BED / GUARD RAIL STEP 2

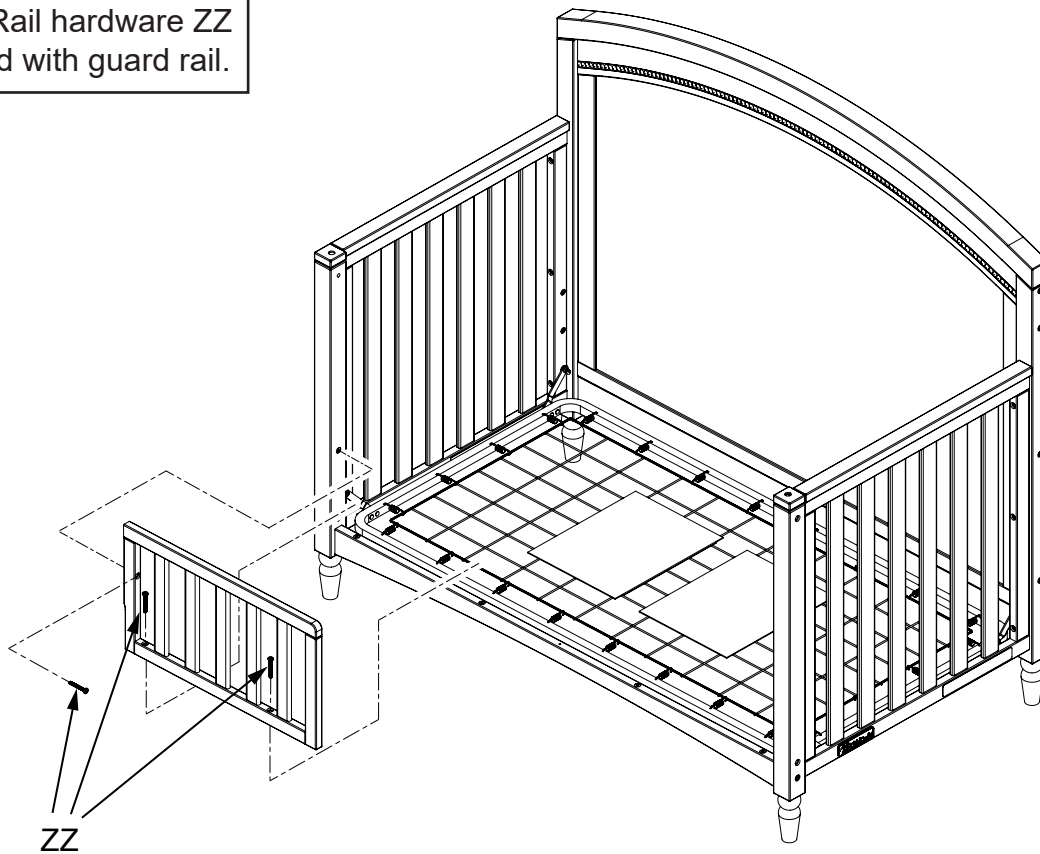


W x 2
Z x 2
Q x 2

AB20363_GGR

GUARD RAIL OPTION STEP 3

Guard Rail hardware ZZ provided with guard rail.





ZZ x 3

AB20363_GGR2

WARNINGS (For Toddler Bed)

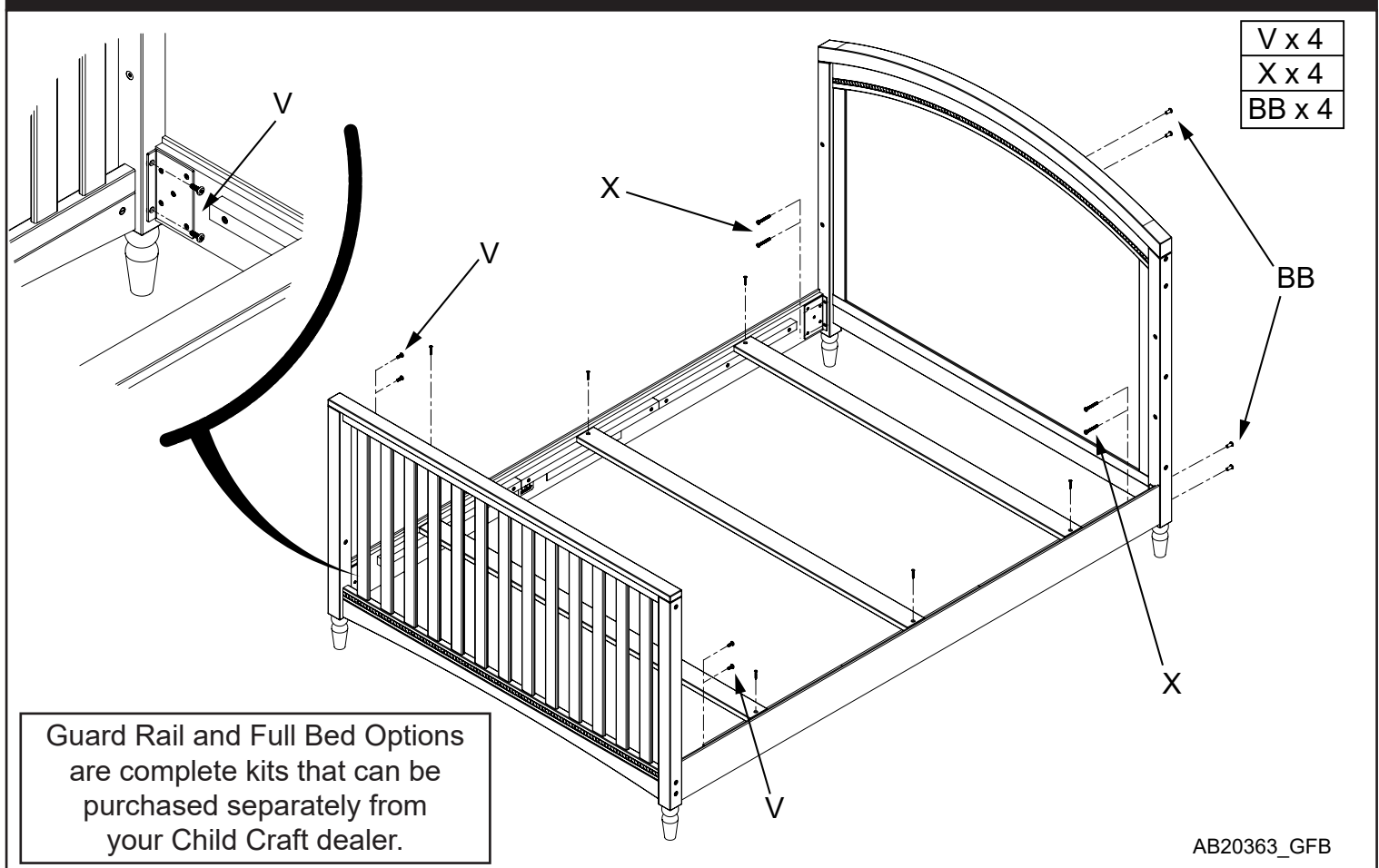
 **WARNING:** INFANTS HAVE DIED IN TODDLER BEDS FROM ENTRAPMENT. Openings in and between bed parts can entrap head and neck of a small child. NEVER use bed with children younger than 15 months. ALWAYS follow assembly instructions.

 **WARNING:** STRANGULATION HAZARD: NEVER place bed near windows where cords from blinds or drapes may strangle a child. NEVER suspend strings over bed. NEVER place items with a string, cord or ribbon, such as hood strings or pacifier cords, around a child's neck. These items may catch on bed parts.

 **CAUTION:** ENTRAPMENT HAZARD: To avoid dangerous gaps, any mattress used in this bed shall be a full-sized crib mattress at least 51 5/8 in. (1310 mm) in length, 27 1/4 in. (690 mm) in width, and 4 in. (100 mm) in thickness.

- The users maximum weight shall not be greater than 50 lbs. (22.7 kg).
- Mattress **MUST** be moved into lowest position for proper positioning.
- This crib contains all components necessary to convert to a toddler bed. However, a guardrail may be available for purchase to provide additional security. Contact Foundations® for assistance. Refer to maintenance section for contact information.

FULL SIZE BED CONFIGURATION



AB20363_GFB

CAUTION

- ANY MATTRESS USED IN THIS CRIB SHALL BE AT LEAST 27 1/4 BY 51 5/8 IN. WITH A THICKNESS NOT EXCEEDING 6 IN. IF YOUR CRIB IS DESIGNED TO CONVERT TO A TODDLER BED, THE MATTRESS MUST BE AT LEAST 4 IN. (100 MM) THICK.
- UPON COMPLETION OF ASSEMBLY BE SURE ALL SCREWS, BOLTS AND FASTENING DEVICES HAVE BEEN TIGHTENED SECURELY. A FREQUENT CHECK SHOULD BE MADE OF ALL SCREWS, BOLTS AND FASTENING DEVICES AND TIGHTEN IF NEEDED.

Maintenance Cleaning and Storage

MAINTENANCE:

Upon completion of the assembly, check to make sure all screws, bolts and connectors are tightened and secure.

Periodically check crib for damaged hardware, loose joints, missing parts or sharp edges before and after assembly and frequently during use.

DO NOT use crib if any parts are missing or broken.

If any parts are missing, broken or you need assistance DO NOT return crib to your dealer.

Call Foundations at 330.722.5033 and include model identification numbers recorded on page 1.

DO NOT substitute parts.

CLEANING:

Mix a mild solution of gentle dishwashing soap and water, apply to surface using a clean cloth lightly dampened in the solution. Rinse well with clear water using a soft clean cloth, then dry all surfaces with a soft dry cloth.

DO NOT use abrasive cleaners or any cleaners with harsh chemicals that would contact a child's skin, scouring pads, steel wool or coarse rags. This crib should be treated the same as any fine furniture.

STORAGE:

When storing crib use caution as extreme temperature or humidity changes could be harmful.

Use caution when a vaporizer is in use. Always aim vapor stream away from crib as well as away from any wood furniture item.

After completing the assembly the user is advised to read and be aware of **ALL WARNINGS, CAUTIONS, CLEANING, STORAGE USE AND MAINTENANCE** notices in these directions and printed on the storage pouch on the crib spring. A printed pouch is attached to the crib spring for the permanent storage of the assembly directions. Please place the complete set of assembly directions into the pouch for future referral. We caution the user to not place excess hardware in the pouches as it could present danger to the child if retrieved.



WARNING

FAILURE TO FOLLOW THESE WARNINGS AND THE ASSEMBLY INSTRUCTIONS COULD RESULT IN SERIOUS INJURY OR DEATH.

⚠ WARNING: Infants can suffocate on soft bedding. **NEVER** add a pillow or comforter. **NEVER** place additional padding under an infant.

- Read all instructions before assembling crib. Keep instructions for future use. A pouch is attached to the crib for permanent storage of the instructional literature.
- To reduce the risk of SIDS, pediatricians recommend healthy infants be placed on their backs to sleep, unless otherwise advised by your physician.
- Strings can cause strangulation! **DO NOT** place items with a string around a child's neck, such as hood strings or pacifier cords. **DO NOT** suspend strings over a crib or attach strings to toys.
- To help prevent strangulation, tighten all fasteners. A child can trap parts of the body or clothing on loose fasteners.
- **DO NOT** place crib near window where cords from blinds or drapes may strangle a child.
- When child is able to pull to standing position, set mattress to lowest position and remove bumper pads, large toys and other objects that could serve as steps for climbing out.
- Stop using crib when child begins to climb out or reaches the height of 35 in. (89 cm).
- After raising side, make sure latches are secure (if your unit has a movable side).
- **DO NOT** leave child in crib with side lowered. Be sure side is in raised and locked position whenever child is in crib (if your crib has a moveable side).
- Check this product for damaged hardware, loose joints, loose bolts or other fasteners, missing parts or sharp edges before and after assembly and frequently during use. Securely tighten bolts and other fasteners. **DO NOT** use the crib if any parts are missing, damaged or broken. If any parts are missing or broken or you need assistance with assembly, **DO NOT** return the product to your dealer. Call Foundations for assistance at 1 877.716.2757 (U.S. Only) or +1 330.722.5033 for replacement parts and instructional literature if needed. Include model identification numbers recorded on page 1 with your request. **DO NOT** substitute parts.
- Replace teething rail(s) if damaged, cracked or loose (if equipped with teething rails).
- If refinishing use a non-toxic finish specified for children's products.
- Follow warnings on all products in a crib.
- **NEVER** use plastic shipping bags or other plastic film as mattress covers because they can cause suffocation.
- Infants can suffocate in gaps between crib sides and a mattress that is too small.
- **DO NOT** use a water mattress with this crib.
- When disassembling this crib, **DO NOT** remove any item attached with wood screws.



5216 Portside Dr.
Medina, Ohio 44256 USA
Telephone: 330.722.5033
Fax: 330.722.5037
www.childcraftbaby.com

**Meets CPSC
Safety Requirements**