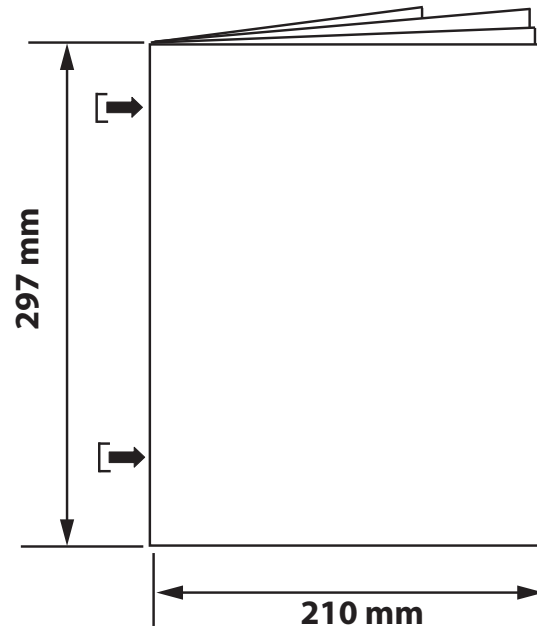


**This page is for printing and document  
formatting specifications only.  
THIS PAGE DOES NOT PRINT.**



**DO NOT scale the artwork for printing. Each page  
has been scaled for proper scaling of parts.**

**Page 1 will be the cover page and first page printed  
after this specification page. Any blank pages needed will  
be placed at the end of this booklet.**

**printer to arrange booklet pages in proper  
sequence according to page number.**

**Revisions:**

A Initial release, 6/17/2020 BLW



Foundations Worldwide, Inc.  
5216 Portside Dr., Medina, OH 44256 USA • PH: 1 330.722.5033 • FAX: 1 330.722.5037  
www.childcraftbaby.com

## Redmond™ Deluxe 4-in-1 Convertible Crib

### Model Covered: F32802

KEEP INSTRUCTIONS FOR FUTURE USE.

THIS IS THE ASSEMBLY INSTRUCTIONS FOR CRIBS SOLD IN THE UNITED STATES

**FOR CUSTOMER SERVICE CALL  
1-877-716-2757  
(outside of U.S. 330-722-5033). DO NOT CALL  
RETAILER OR RESELLER FOR SERVICE  
AS THEY ARE NOT AUTHORIZED TO  
RESOLVE ANY SERVICE ISSUES.**

**FOR WARRANTY AND FEDERAL SAFETY STANDARD  
COMPLIANCE CERTIFICATES, PLEASE VISIT OUR  
WEBSITE AT  
www.childcraftbaby.com**

### ASSEMBLY ASSISTANCE

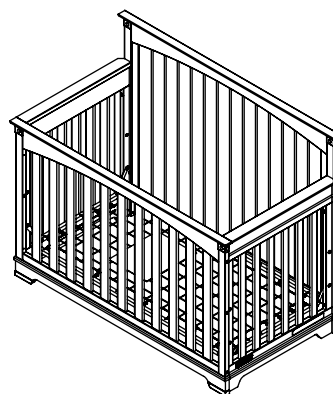
**IMPORTANT: Retain for future reference and  
read carefully.**

Foundations strives for the highest quality in our products but occasionally a missing part or problem can occur during assembly.

If any parts are missing or broken or you need assistance with assembly, DO NOT return the product to your dealer. Go to our website at [www.childcraftbaby.com](http://www.childcraftbaby.com) or call Foundations for assistance at 1-877-716-2757 (U.S. Only) or 1-330-722-5033 (Monday through Friday, 9:00 a.m.– 4:00 p.m. Eastern Time). Please have the model number and manufacture date available when you call or write us at:  
Foundations, 5216 Portside Dr., Medina, OH 44256

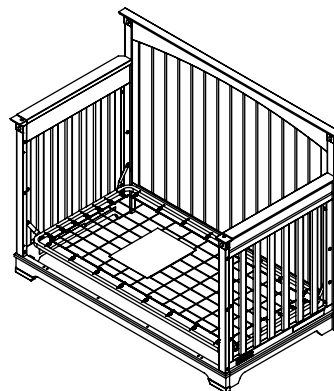
### ASSEMBLY INSTRUCTIONS

- Adult assembly required.
- Read all instructions BEFORE assembly and USE of product.
- Unpack carton, remove packing materials, including polybag. Identify and check all parts.



AB20404\_G1

Assembled as Crib



AB20404\_G2

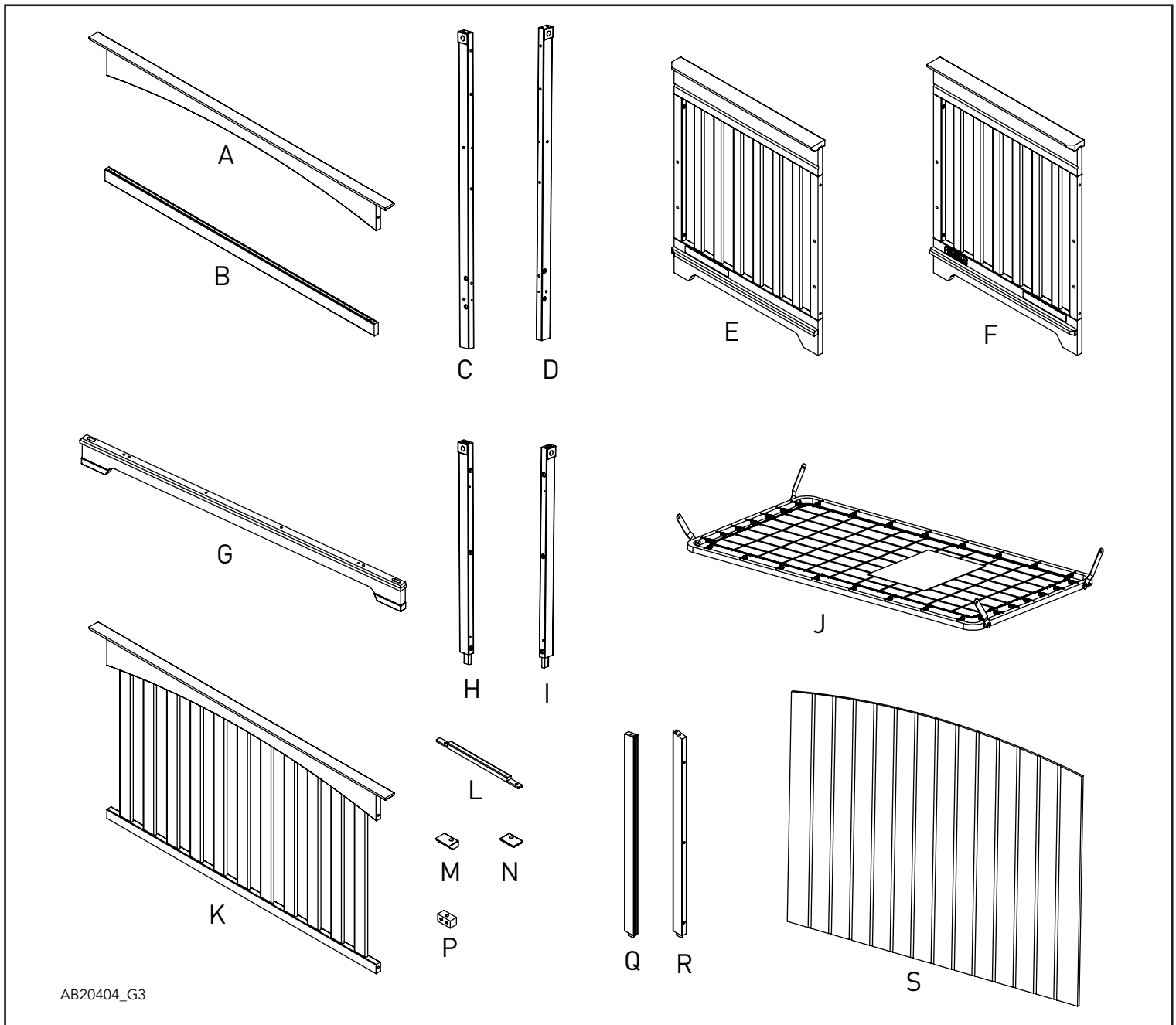
Assembled as Toddler Bed

Record the information for your product here:

Model number: \_\_\_\_\_

Manufacture date: \_\_\_\_\_

PO number: \_\_\_\_\_

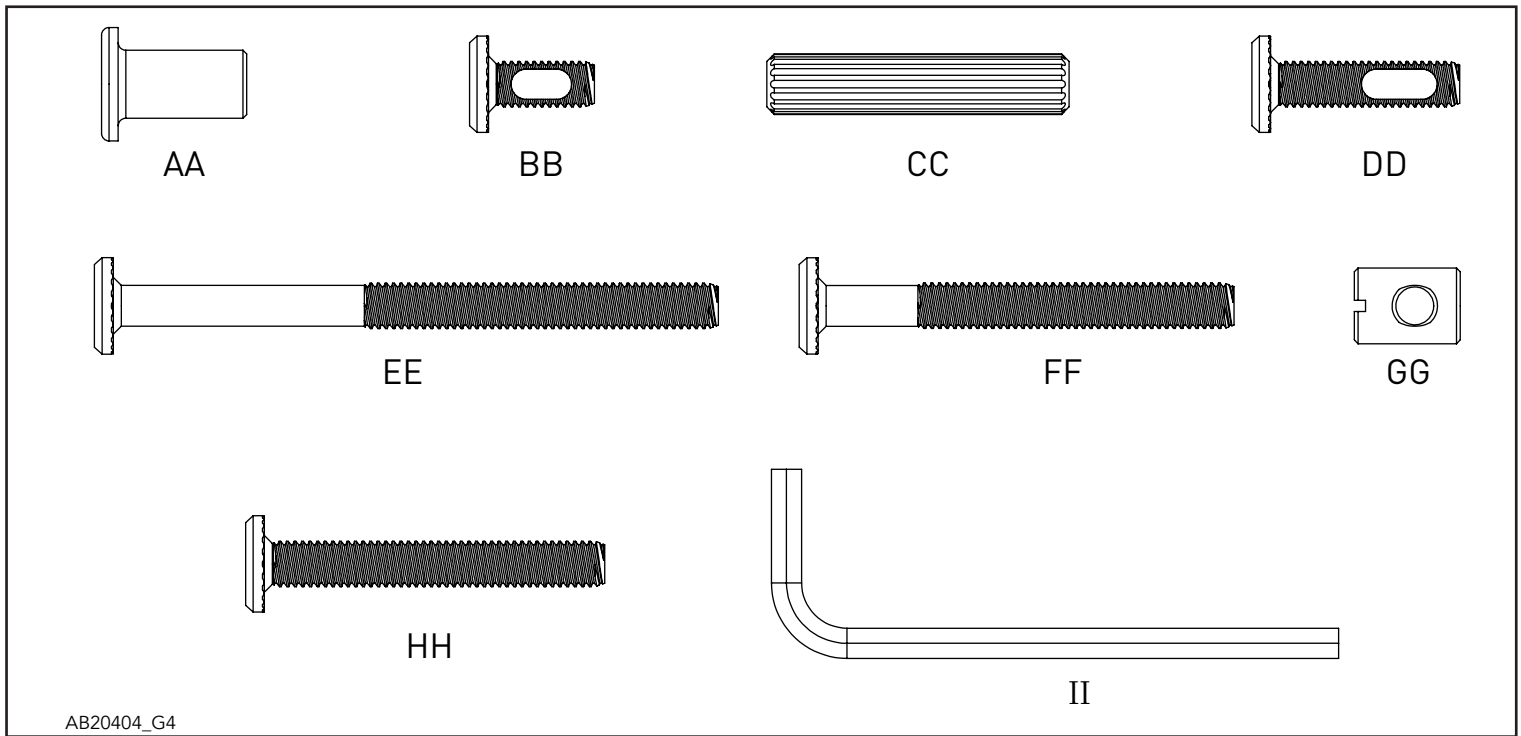


AB20404\_G3

Crib Parts

**PARTS LIST BASIC CRIB**

Part Description	Part Number	QTY	Part Description	Part Number	QTY
A. Headboard Top Rail	22303584	1	J. Spring	11200404	1
B. Bottom Back Rail	22303592	1	K. Long Foot Assembly	22303593	1
C. Stationary Post - Left	22303586	1	L. Guard Rail Extender	22300316	2
D. Stationary Post - Right	22303588	1	M. Post Cap - Left	22301143	1
E. Short Head Assembly	22301129	1	N. Post Cap - Right	22301144	1
F. Short Foot Assembly	22301138	1	P. Cleat	22301137	2
G. Base Front Rail Assembly	22301122	1	Q. Headboard Left Rail	22303640	1
H. Foot Post - Left	22303635	1	R. Headboard Right Rail	22303641	1
I. Foot Post - Right	22303637	1	S. Panel	22303603	1



AB20404\_G4

Hardware Package

**PARTS LIST HARDWARE**

Part Description	Part Number	QTY	Part Description	Part Number	QTY
AA. 6mm Connector Nut	11201269	18	FF. Allen Head Bolt 6mm x 55mm	11200619	6
BB. Allen Head Bolt 6mm x 14mm	11200328	12	GG. Joint Connector Nut	11200330	8
CC. Dowel Pin 8mm x 40mm	11200348	10	HH. Allen Head Bolt 6mm x 45mm	11200373	14
DD. Allen Head Bolt 6mm x 25mm	11200327	8	II. Allen Wrench (4mm)	11200070	2
EE. Allen Head Bolt 6mm x 80mm	11200324	14			

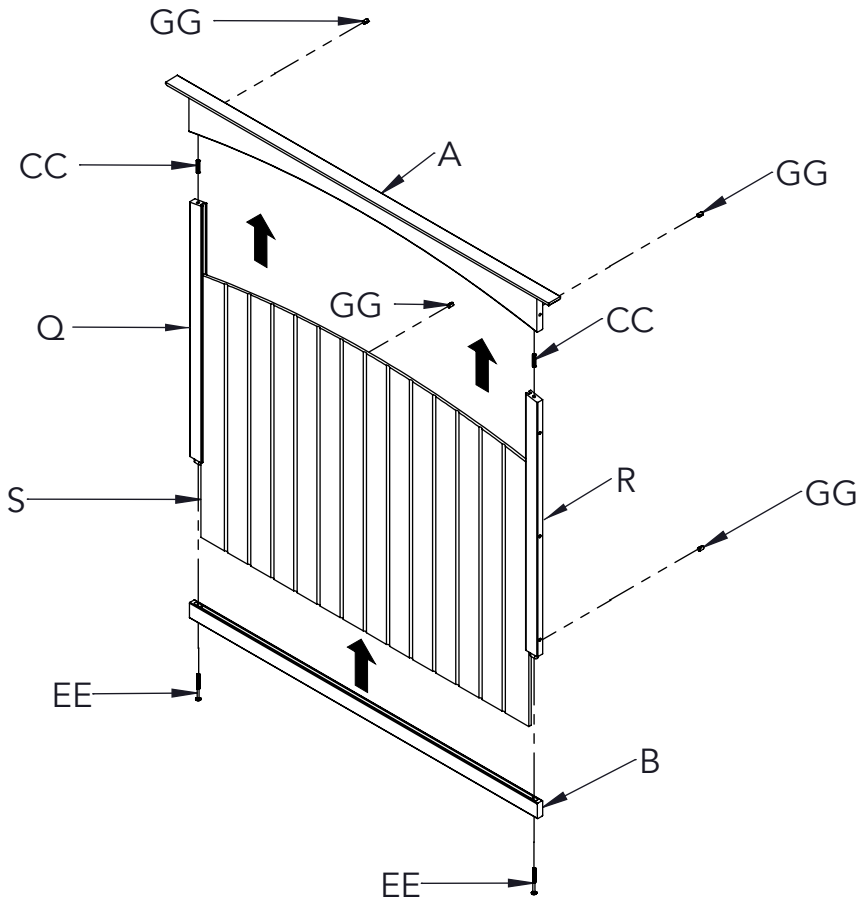
**PREPARATION**

Carefully remove and lay out all hardware and parts. Check quantities and match the parts list. Construct Crib on an even flat floor. Note: during the assembly process whenever using screws or bolts, check each with the parts list by letter and size identification. Place each screw or bolt on the diagram of the item which is sketched actual size. Be sure to use the proper size specified in the assembly directions. If any parts are missing or broken or you need assistance with assembly **DO NOT return your product to the dealer.** Please identify the crib by the model number identification stamped on the inside face of the Foot and Head Assembly when you call or write to Foundations. Make note of all identification numbers and include this information with your request. The Allen Head Bolts (BB and DD) have a friction enhancing patch on the thread which may cause resistance during tightening. **DO NOT Substitute Parts!**

**SUGGESTED TOOLS**

#2 Medium Straight Screwdriver

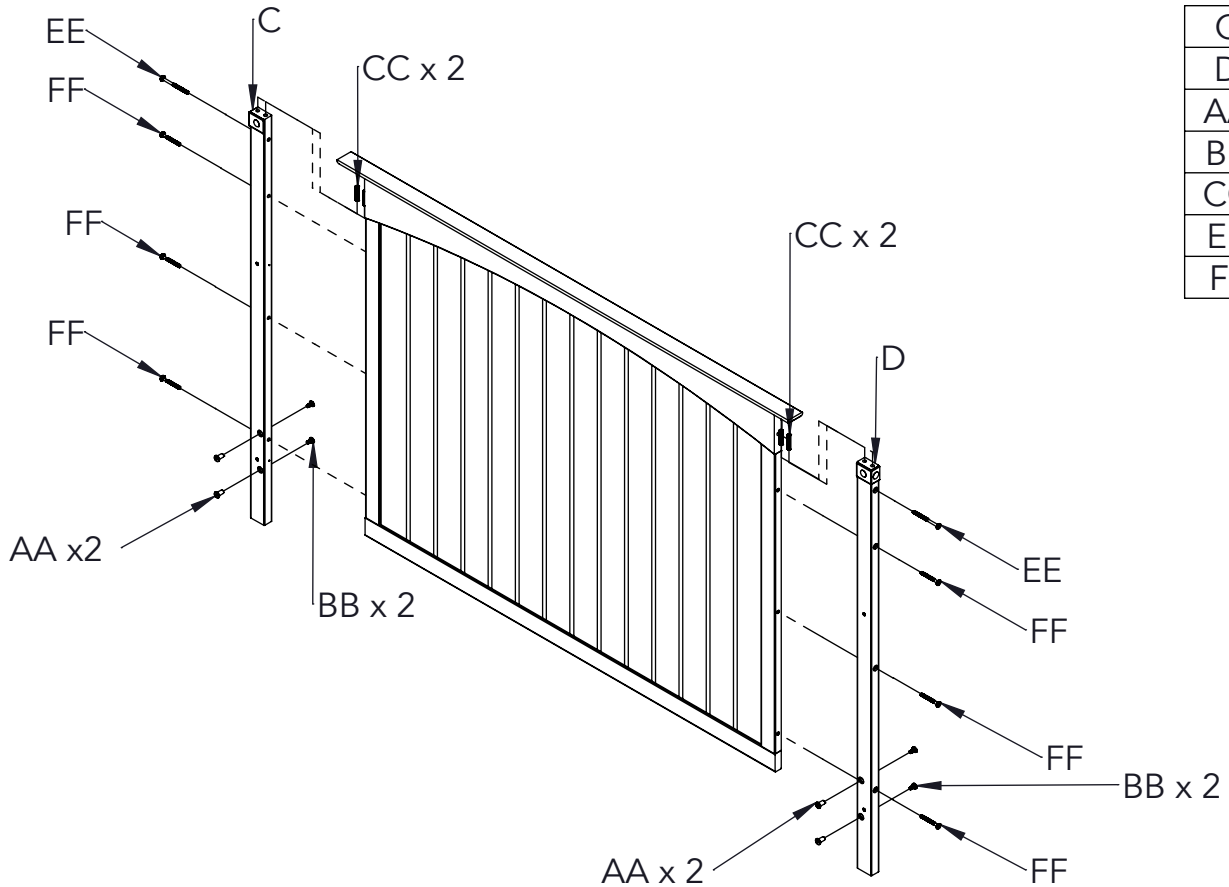
# STEP 1



A x 1
B x 1
Q x 1
R x 1
S x 1
CC x 2
EE x 2
GG x 4

AB20404\_G5

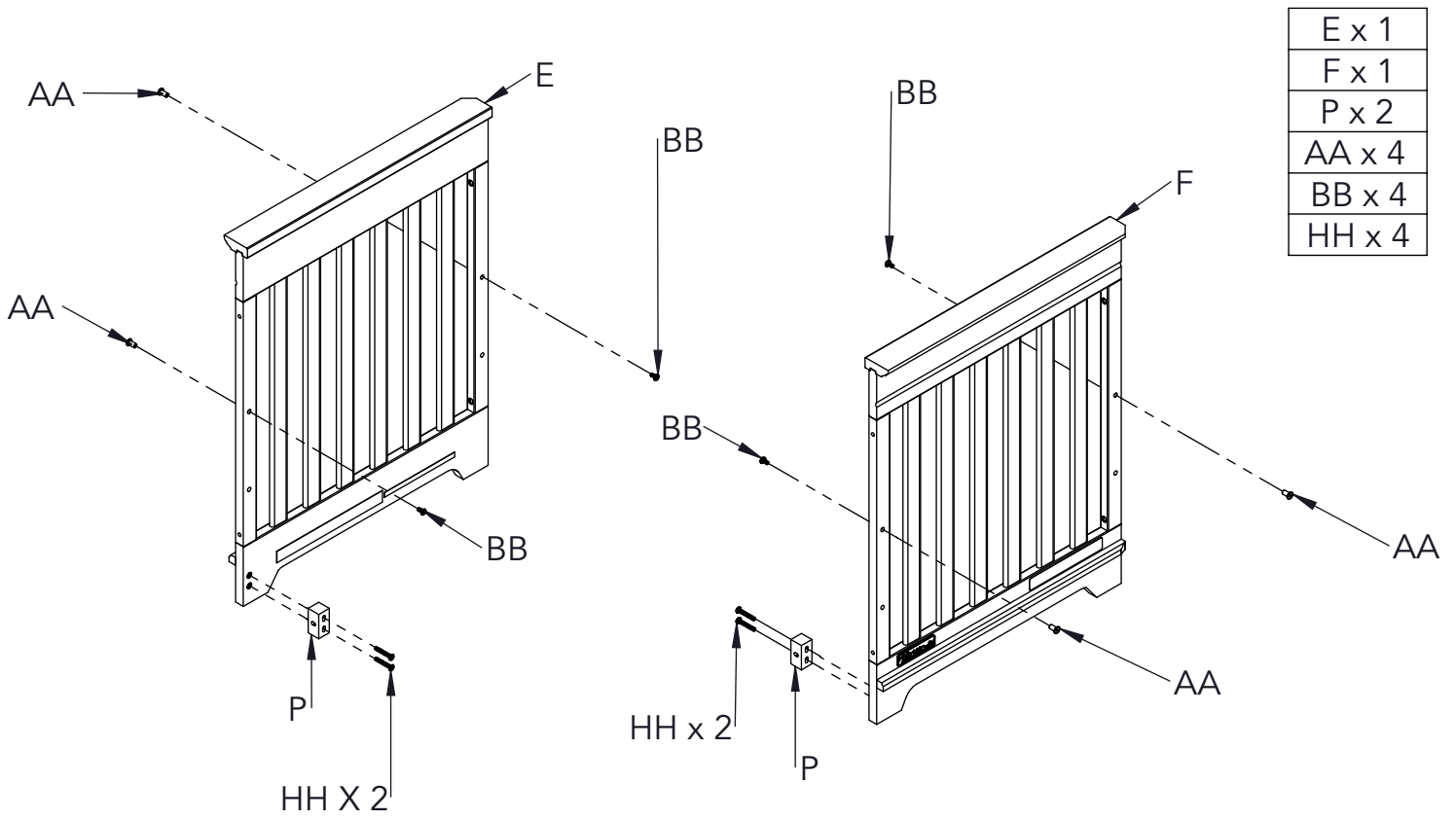
# STEP 2



C x 1
D x 1
AA x 4
BB x 4
CC x 4
EE x 2
FF x 6

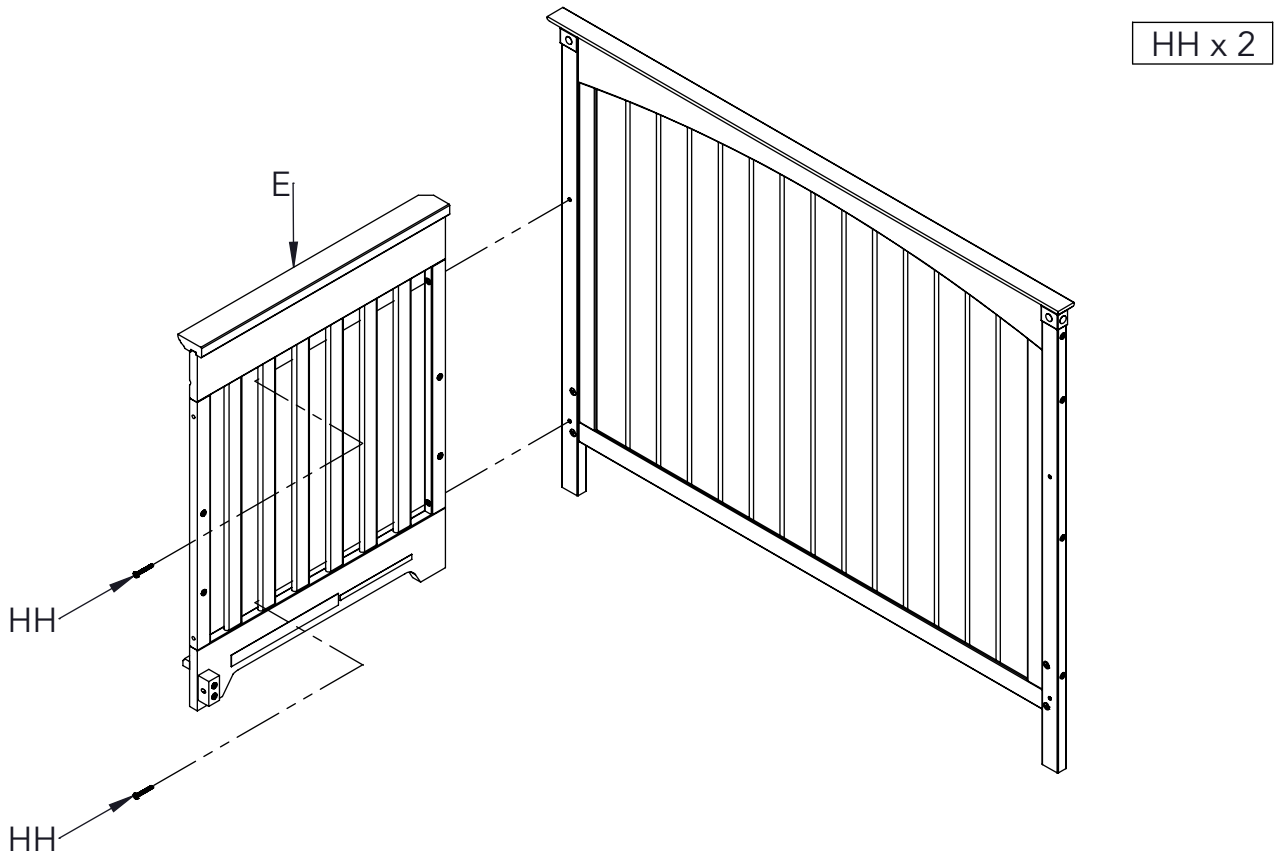
AB20404\_G6

# STEP 3



AB20404\_G7

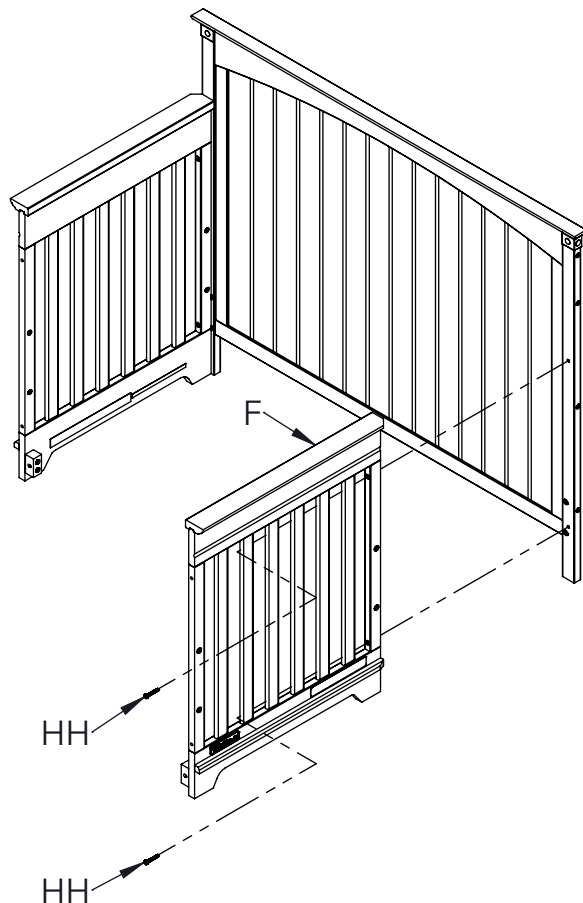
# STEP 4



AB20404\_G8

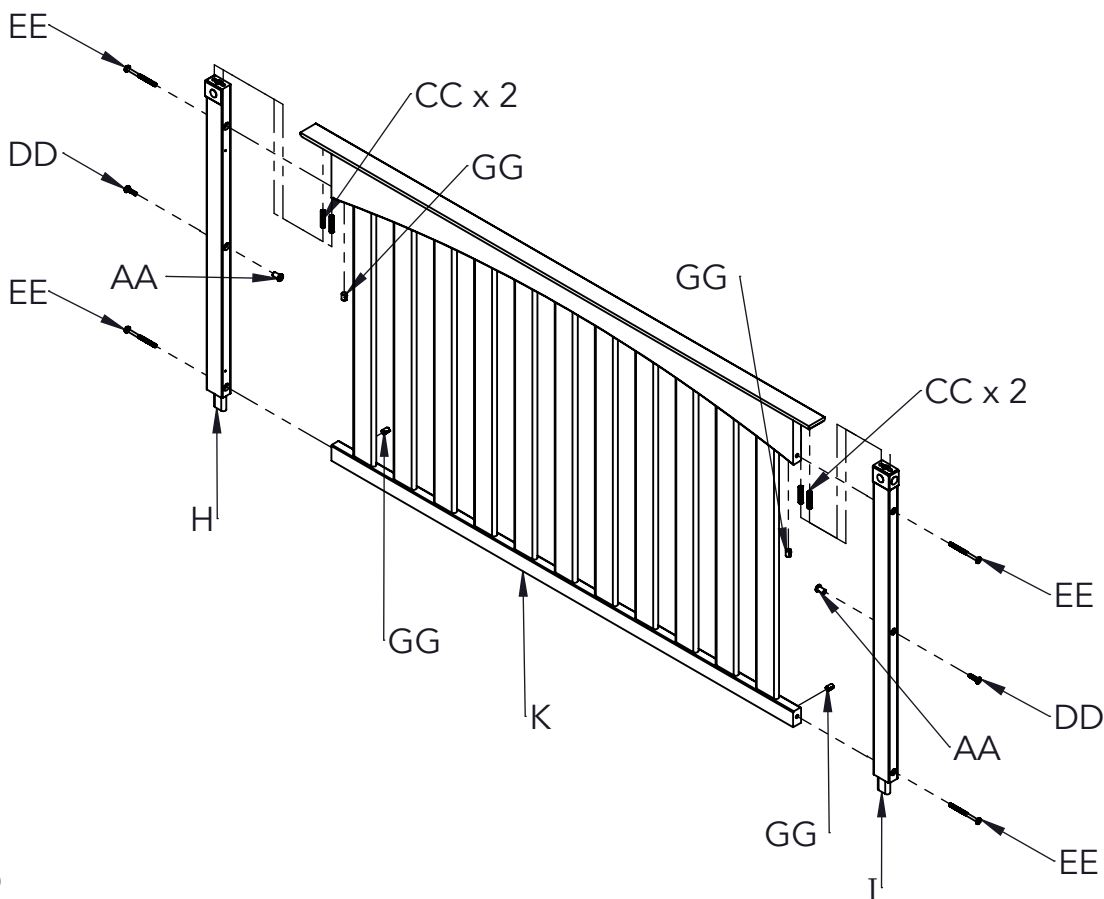
# STEP 5

HH x 2



AB20404\_G8

# STEP 6

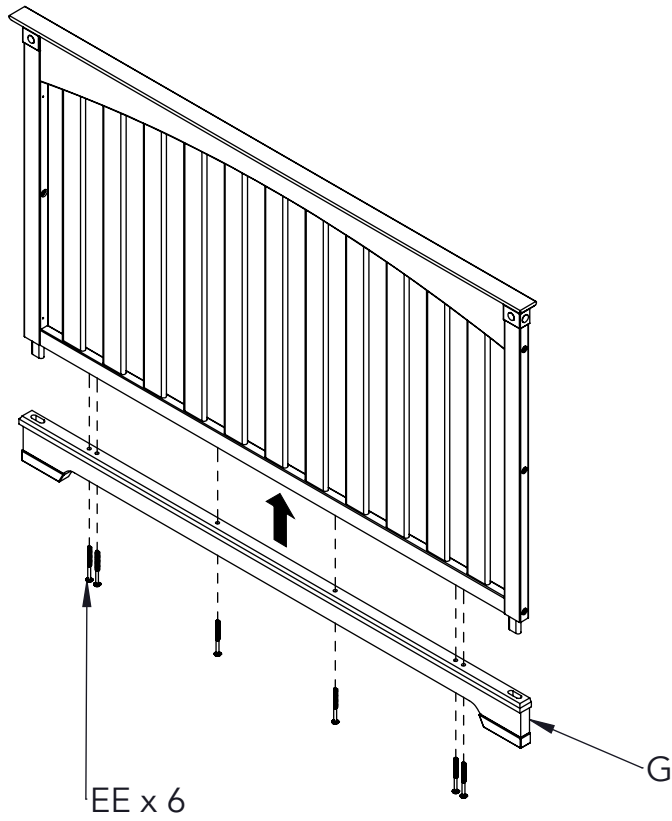


H x 1
I x 1
K x 1
AA x 2
CC x 4
DD x 2
EE x 4
GG x 4

AB20404\_G10

# STEP 7

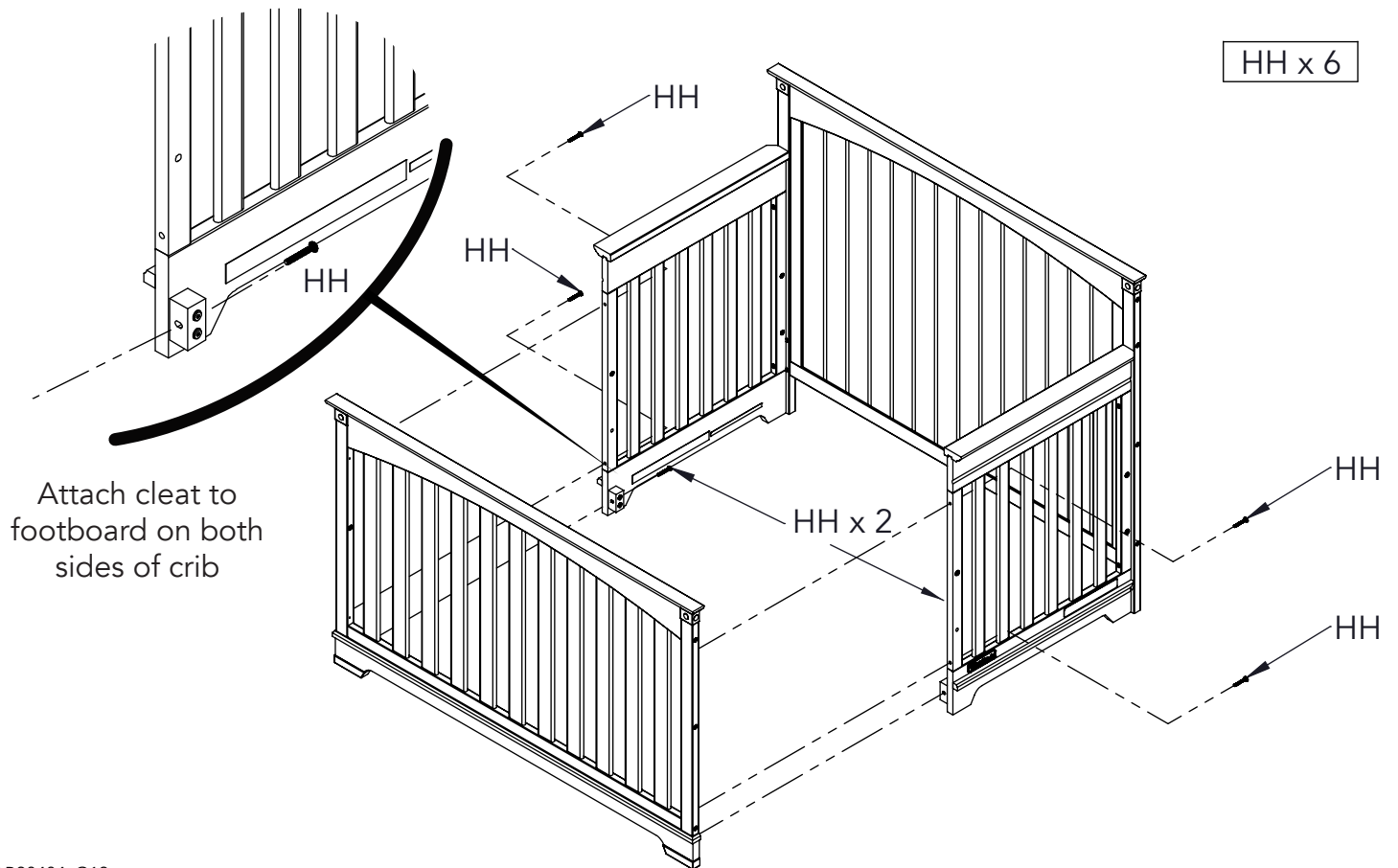
G x 1  
EE x 6



AB20404\_G11

# STEP 8

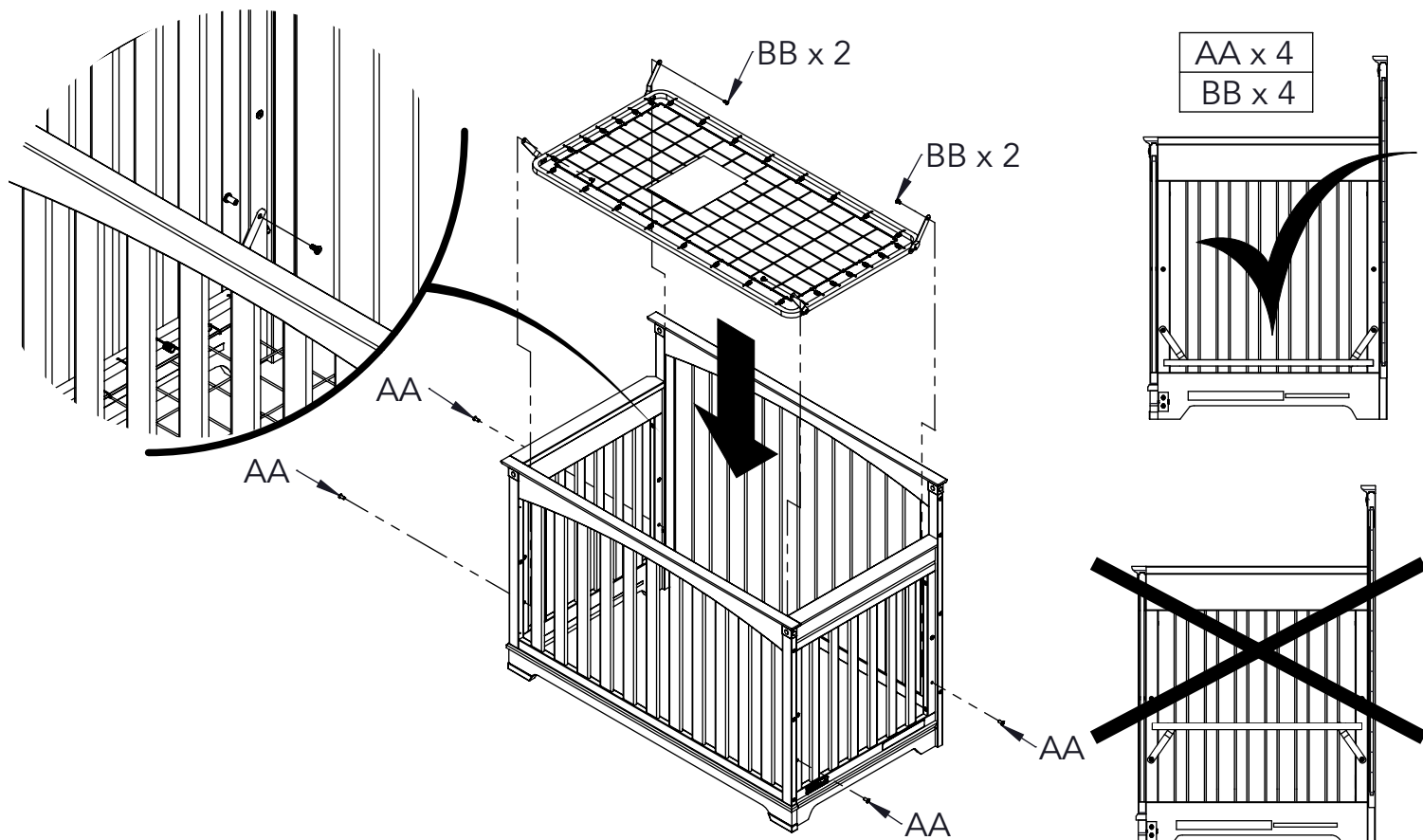
HH x 6



AB20404\_G12



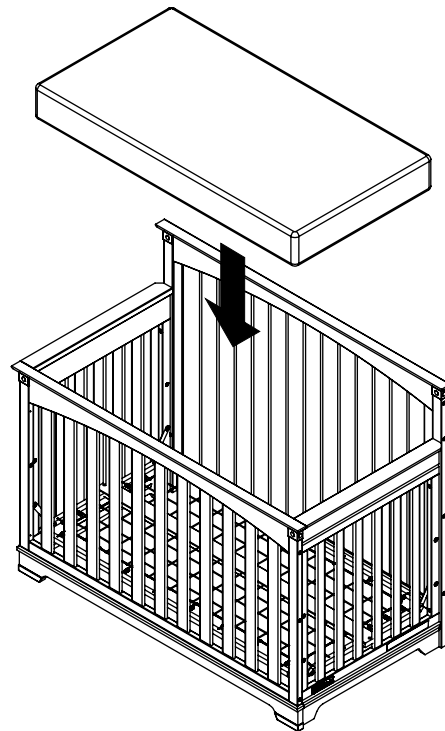
## STEP 9



AB20404\_G13

## FINISHING TOUCHES

Place a purchased full sized mattress on the spring. After completing the crib assembly, and after making yourself aware of **WARNINGS, CAUTIONS, CLEANING, STORAGE, USE and MAINTENANCE** of crib on pages 12 and 13, store the assembly directions in the pouch which was pre-attached to the spring. For future referral to assembly directions you will only need to remove them from the pouch. We caution you not to store excess hardware in pouch as this would be a danger to child if retrieved by him/her.



AB20404\_G14



## WARNINGS (For Toddler Bed)



**WARNING:** INFANTS HAVE DIED IN TODDLER BEDS FROM ENTRAPMENT. Openings in and between bed parts can entrap head and neck of a small child. NEVER use bed with children younger than 15 months. ALWAYS follow assembly instructions.



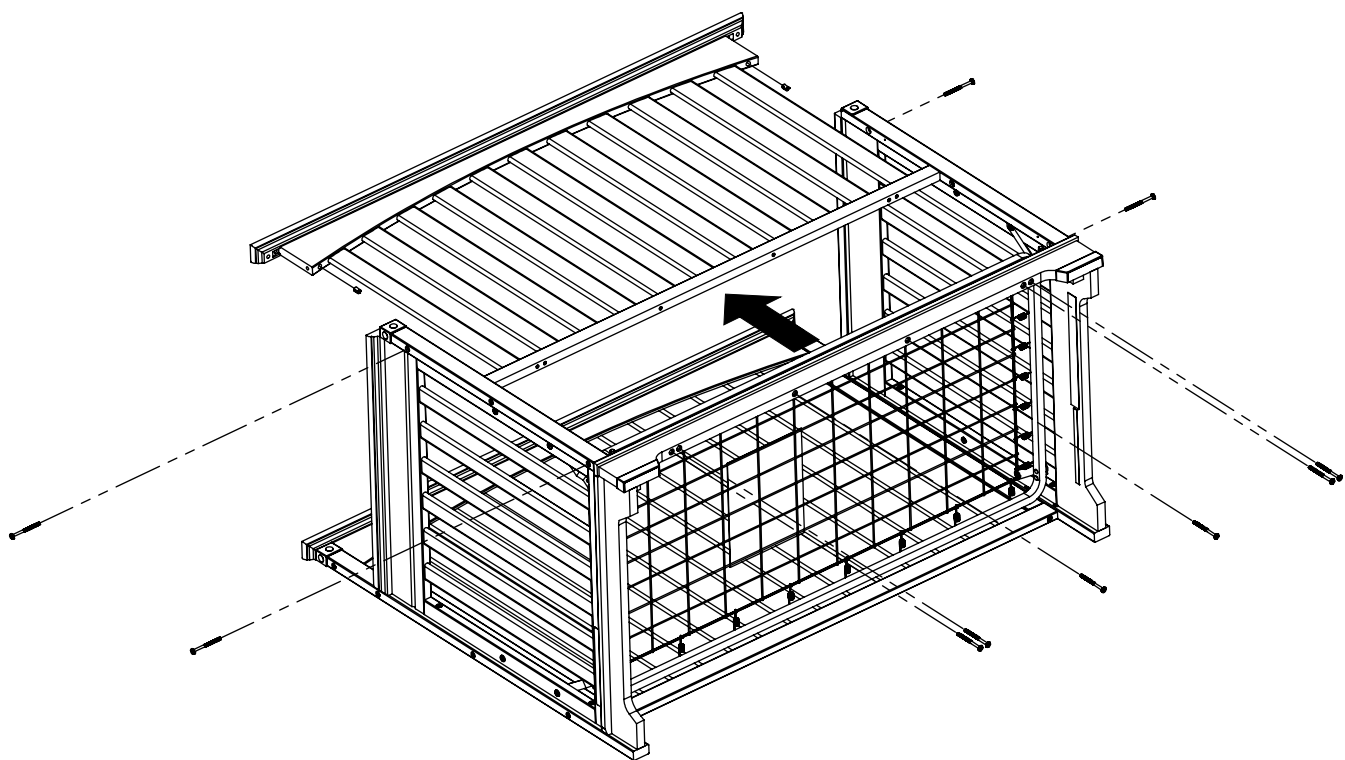
**WARNING:** STRANGULATION HAZARD: NEVER place bed near windows where cords from blinds or drapes may strangle a child. NEVER suspend strings over bed. NEVER place items with a string, cord or ribbon, such as hood strings or pacifier cords, around a child's neck. These items may catch on bed parts.



**CAUTION:** ENTRAPMENT HAZARD: To avoid dangerous gaps, any mattress used in this bed shall be a full-sized crib mattress at least 51 5/8 in. (1310 mm) in length, 27 1/4 in. (690 mm) in width, and 4 in. (100 mm) in thickness.

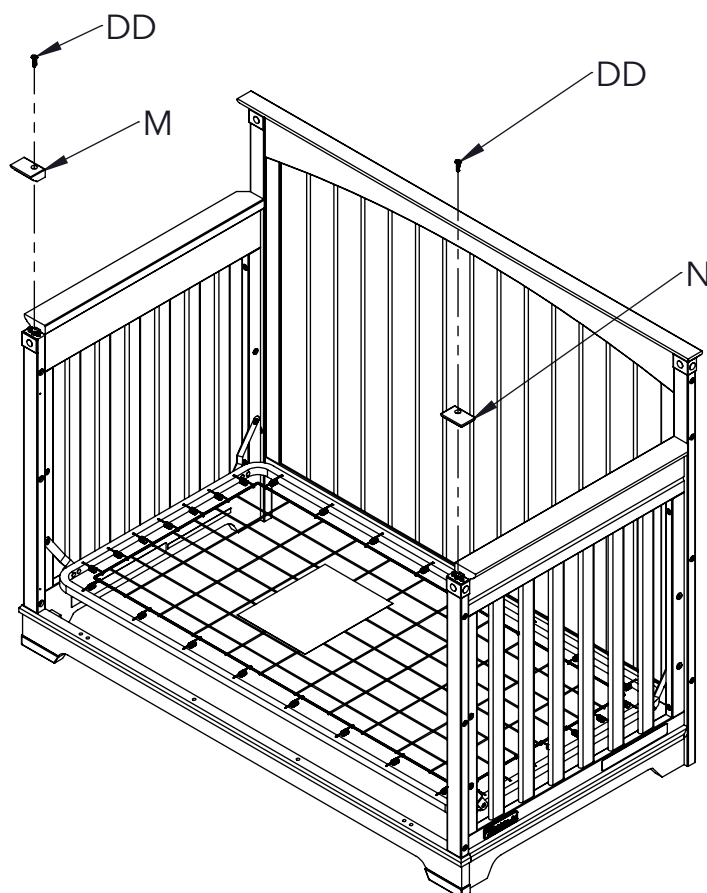
- The users maximum weight shall not be greater than 50 lbs. (22.7 kg).
- Mattress MUST be moved into lowest position for proper positioning.
- This crib contains all components necessary to convert to a toddler bed. However, a guardrail may be available for purchase to provide additional security. Contact Foundations® for assistance. Refer to maintenance section for contact information.

# TODDLER BED 1



AB20404\_GTB1

# TODDLER BED 2

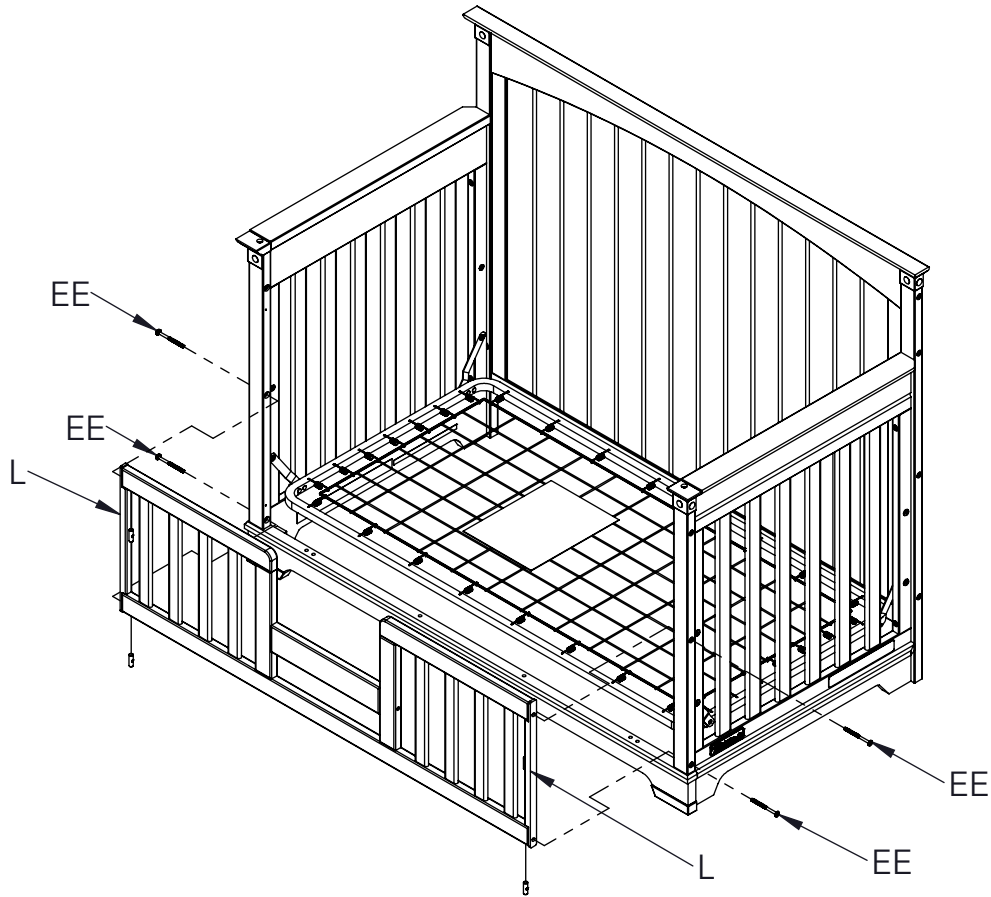


M x 1
N x 1
DD x 2

AB20404\_GTB2

# GUARD RAIL OPTION

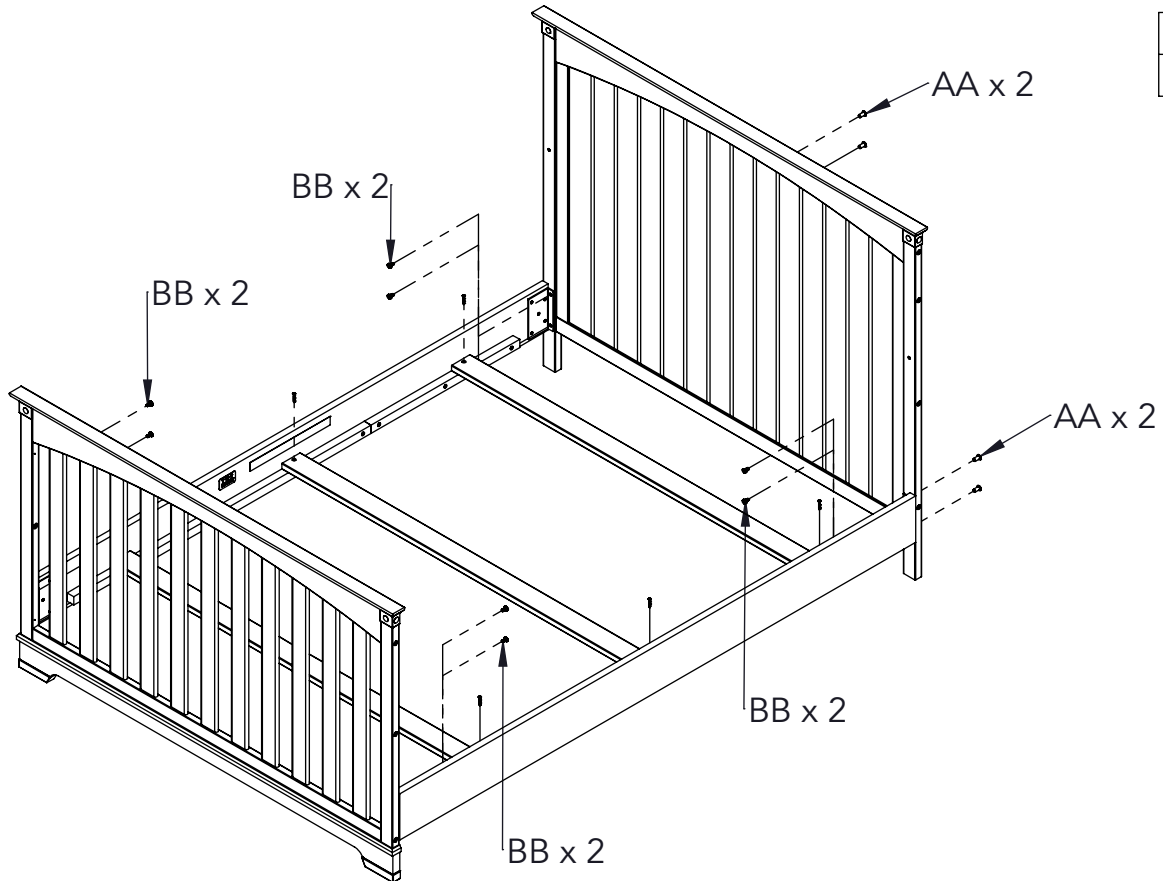
L x 2
EE x 4



AB20404\_GGR

# FULL SIZE BED CONFIGURATION

AA x 4
BB x 8



AB20404\_GFB

**Reference bed and guard rail assembly instructions.**

Guard Rail and Full Bed Options are complete kits that can be purchased separately from your Child Craft dealer.

# CAUTION

- ANY MATTRESS USED IN THIS CRIB SHALL BE AT LEAST 27 1/4 BY 51 5/8 IN. WITH A THICKNESS NOT EXCEEDING 6 IN. IF YOUR CRIB IS DESIGNED TO CONVERT TO A TODDLER BED, THE MATTRESS MUST BE AT LEAST 4 IN. (100 MM ) THICK.
- UPON COMPLETION OF ASSEMBLY BE SURE ALL SCREWS, BOLTS AND FASTENING DEVICES HAVE BEEN TIGHTENED SECURELY. A FREQUENT CHECK SHOULD BE MADE OF ALL SCREWS, BOLTS AND FASTENING DEVICES AND TIGHTEN IF NEEDED.

## ***MAINTENANCE, CLEANING, AND STORAGE***

### **MAINTENANCE:**

Upon completion of the assembly, check to make sure all screws, bolts and connectors are tightened and secure.

Periodically check crib for damaged hardware, loose joints, missing parts or sharp edges before and after assembly and frequently during use.

DO NOT use crib if any parts are missing or broken.

If any parts are missing, broken or you need assistance DO NOT return crib to your dealer.

Call Foundations at 330.722.5033 and include model identification numbers recorded on page 1.

DO NOT substitute parts.

### **CLEANING:**

Mix a mild solution of gentle dishwashing soap and water, apply to surface using a clean cloth lightly dampened in the solution. Rinse well with clear water using a soft clean cloth, then dry all surfaces with a soft dry cloth.

**DO NOT use abrasive cleaners or any cleaners with harsh chemicals that would contact a child's skin, scouring pads, steel wool or coarse rags. This crib should be treated the same as any fine furniture.**

### **STORAGE:**

**When storing crib use caution as extreme temperature or humidity changes could be harmful.**

**Use caution when a vaporizer is in use. Always aim vapor stream away from crib as well as away from any wood furniture item.**

**After completing the assembly the user is advised to read and be aware of**

**ALL WARNINGS, CAUTIONS, CLEANING, STORAGE, USE, AND MAINTENANCE notices in these directions and printed on the storage pouch on the crib spring. A printed pouch is attached to the crib spring for the permanent storage of the assembly directions. Please place the complete set of assembly directions into the pouch for future referral. We caution the user to not place excess hardware in the pouches as it could present danger to the child if retrieved.**



# WARNING

FAILURE TO FOLLOW THESE WARNINGS AND THE ASSEMBLY INSTRUCTIONS COULD RESULT IN SERIOUS INJURY OR DEATH.

**⚠ WARNING:** Infants can suffocate on soft bedding. **NEVER** add a pillow or comforter. **NEVER** place additional padding under an infant.

- Read all instructions before assembling crib. Keep instructions for future use. A pouch is attached to the crib for permanent storage of the instructional literature.
- To reduce the risk of SIDS, pediatricians recommend healthy infants be placed on their backs to sleep, unless otherwise advised by your physician.
- Strings can cause strangulation! **DO NOT** place items with a string around a child's neck, such as hood strings or pacifier cords. **DO NOT** suspend strings over a crib or attach strings to toys.
- To help prevent strangulation, tighten all fasteners. A child can trap parts of the body or clothing on loose fasteners.
- **DO NOT** place crib near window where cords from blinds or drapes may strangle a child.
- When child is able to pull to standing position, set mattress to lowest position and remove bumper pads, large toys and other objects that could serve as steps for climbing out.
- Stop using crib when child begins to climb out or reaches the height of 35 in. (89 cm).
- After raising side, make sure latches are secure (if your unit has a movable side).
- **DO NOT** leave child in crib with side lowered. Be sure side is in raised and locked position whenever child is in crib (if your crib has a moveable side).
- Check this product for damaged hardware, loose joints, loose bolts or other fasteners, missing parts or sharp edges before and after assembly and frequently during use. Securely tighten bolts and other fasteners. **DO NOT** use the crib if any parts are missing, damaged or broken. If any parts are missing or broken or you need assistance with assembly, **DO NOT** return the product to your dealer. Call Foundations for assistance at 1 877.716.2757 (U.S. Only) or +1 330.722.5033 for replacement parts and instructional literature if needed. Include model identification numbers recorded on page 1 with your request. **DO NOT** substitute parts.
- Replace teething rail(s) if damaged, cracked or loose (if equipped with teething rails).
- If refinishing use a non-toxic finish specified for children's products.
- Follow warnings on all products in a crib.
- **NEVER** use plastic shipping bags or other plastic film as mattress covers because they can cause suffocation.
- Infants can suffocate in gaps between crib sides and a mattress that is too small.
- **DO NOT** use a water mattress with this crib.
- When disassembling this crib, **DO NOT** remove any item attached with wood screws.



5216 Portside Dr.  
Medina, Ohio 44256 USA  
Telephone: 330.722.5033  
Fax: 330.722.5037  
www.childcraftbaby.com

**Meets CPSC  
Safety Requirements**