



Foundations Worldwide, Inc.

5216 Portside Dr., Medina, OH 44256 USA • PH: 1 330.722.5033 • FAX: 1 330.722.5037

www.childcraftbaby.com

Soho™ 4-in-1 Convertible Crib

Models Covered: F34001

KEEP INSTRUCTIONS FOR FUTURE USE.

THIS IS THE ASSEMBLY INSTRUCTIONS FOR CRIBS SOLD IN THE UNITED STATES

**FOR CUSTOMER SERVICE CALL
1-877-716-2757
(outside of U.S. 330-722-5033). DO NOT CALL
RETAILER OR RESELLER FOR SERVICE
AS THEY ARE NOT AUTHORIZED TO
RESOLVE ANY SERVICE ISSUES.**

**FOR WARRANTY AND FEDERAL SAFETY STANDARD
COMPLIANCE CERTIFICATES,
PLEASE VISIT OUR WEBSITE AT
www.childcraftbaby.com**

ASSEMBLY ASSISTANCE

IMPORTANT: retain for future reference read carefully.

Foundations strives for the highest quality in our products but occasionally a missing part or problem can occur during assembly.

If any parts are missing or broken or you need assistance with assembly, DO NOT return the product to your dealer. Go to our website at www.childcraftbaby.com or call Foundations for assistance at 1-877-716-2757 (U.S. Only) or 1-330-722-5033 (Monday through Friday, 9:00 a.m.–4:00 p.m. Eastern Time). Please have the model number and manufacture date available when you call or write us at:

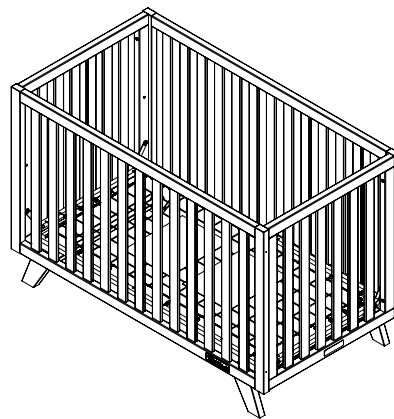
Foundations, 5216 Portside Dr., Medina, OH. 44256

ASSEMBLY INSTRUCTIONS

- Adult assembly required.
- Read all instructions BEFORE assembly and USE of product.
- Unpack carton, remove packing materials, including poly bag. Identify and check all parts.

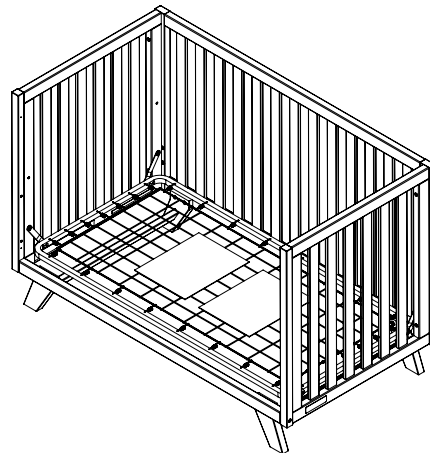
SUGGESTED TOOLS

#2 Medium Straight Screwdriver



AB20064_G3

Assembled as Crib



AB20064_G4

Assembled as Toddler Bed

Record the information for your product here:

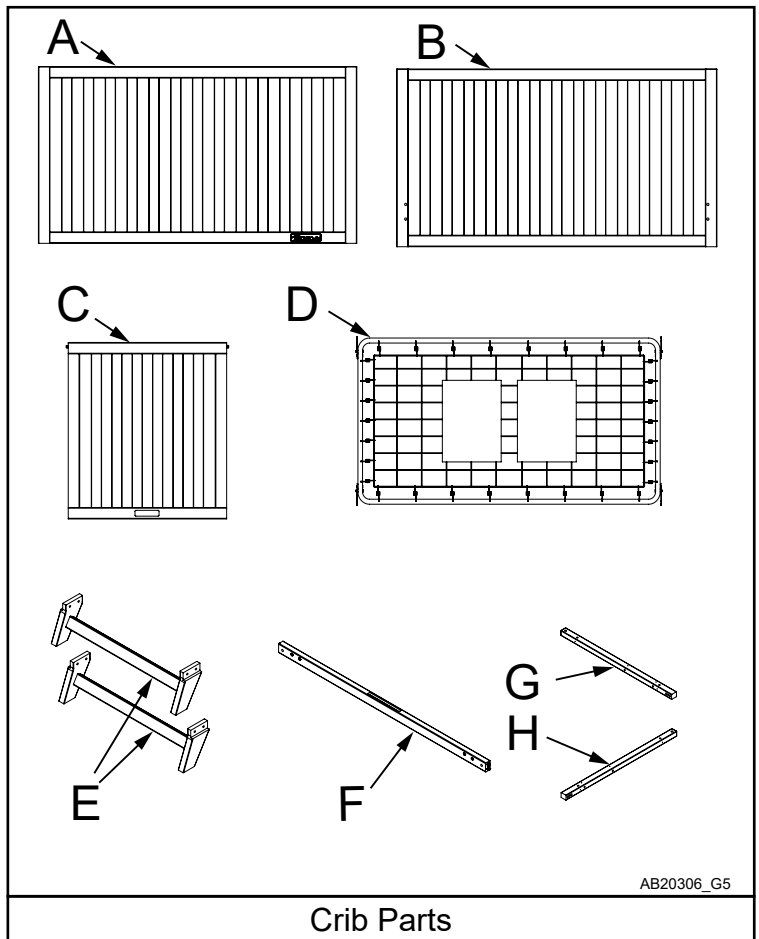
Model number: _____

Manufacture date: _____

PO number: _____

PARTS LIST

Part Description	Part Number	Quantity
A. Long Side Assembly	22303067	1
B. Long Headboard Assembly	22303068	1
C. Head - Foot Assembly	22303046	2
D. Spring	11201023	1
E. Leg Assembly	22303049	2
F. Toddler Bed Rail	22303056	1
G. Toddler Post Headboard	22303063	1
H. Toddler Post Footboard	22303065	1
I. Allen Head Bolt 6mm x 70 mm	11200916	2
J. Allen head Bolt 6mm x 57mm	11200911	8
K. Allen Head Bolt 6mm x 32mm	11200912	8
L. Allen Head Bolt 6mm x 16mm	11200913	8
M. Allen Head Bolt 6mm x 45mm	11200915	4
N. Connector Nut 6mm	11201001	4
P. Joint Connector Nut 6mm	11200970	2
Q. Allen Wrench 4mm	11200978	2



Crib Parts

PREPARATION

Carefully remove and lay out all hardware and parts. Check quantities and match the parts list.

Construct crib on an even flat floor.

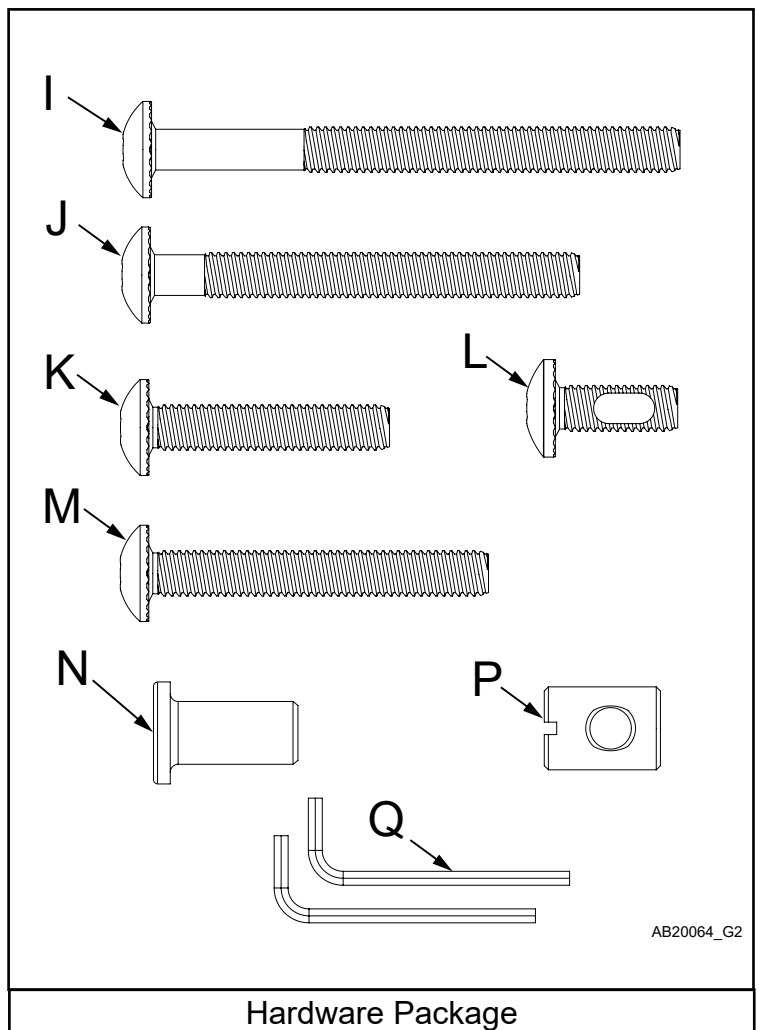
Note: during the assembly process whenever using screws or bolts, check each with the parts list by letter and size identification. Place each screw or bolt on the diagram of the item which is sketched actual size. Be sure to use the proper size specified in the assembly directions. If any parts are missing or broken or you need assistance with assembly.

DO NOT return your product to the dealer.

Please identify the crib by the model number identification stamped on the inside face of the Short Head Assembly or Short Foot Assembly when you call or write to Foundations. Make note of all identification numbers and include this information with your request.

The Allen Head Bolt (L) has a friction enhancing patch on the thread which may cause resistance during tightening

DO NOT Substitute Parts!



Hardware Package

STEP 1

Construct Long Headboard Assembly to Head-Foot Assembly:

Fill unused holes in Long Headboard Assembly with Connector Nuts (N) and Allen Head Bolts (L).

Align Long Headboard Assembly (B) with Head-Foot Assembly (C) making sure the suffocation label on bottom rail of (C) is facing out. Insert Allen Head Bolts (J) into Head-Foot Assembly (C). Snug bolts into Long Headboard Assembly (B).

Tighten all Bolts securely.

See Figure 1.

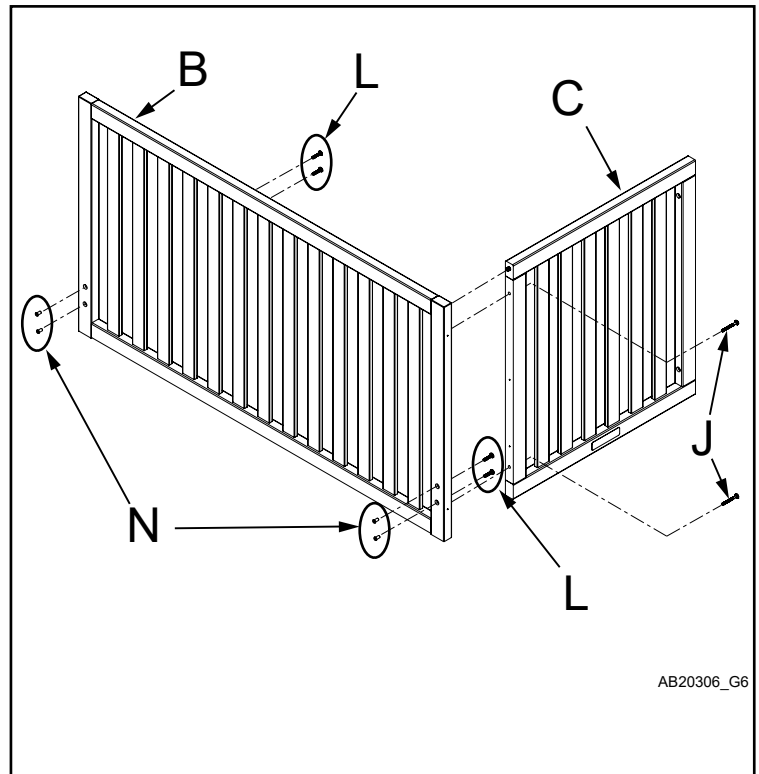


Figure 1

STEP 2

Construct Long Headboard Assembly to Head-Foot Assembly:

Align Long Headboard Assembly (B) with Head-Foot Assembly (C) making sure that suffocation label on bottom rail of (C) is facing out. Insert Allen Head Bolts (J) into Head-Foot Assembly (C). Snug bolts into Long Headboard Assembly (B).

Tighten all Bolts securely.

See Figure 2.

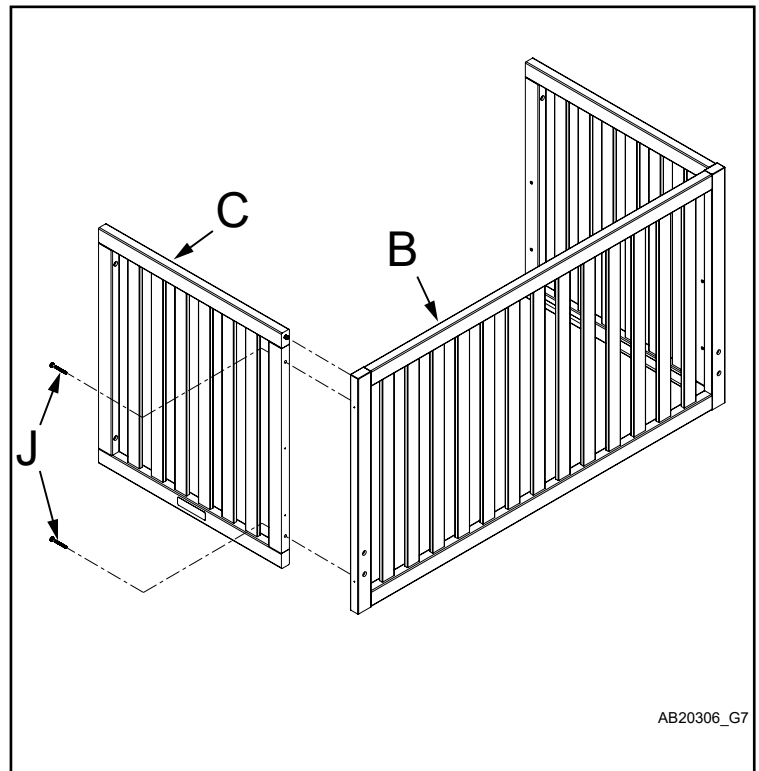


Figure 2

STEP 3

Add Mattress Spring to crib.

There are 3 positions for the Spring (D) shown as (1), (2) and (3). Refer to warning section to determine appropriate height for the intended child. The position must be the same as for all the brackets attached to the crib.

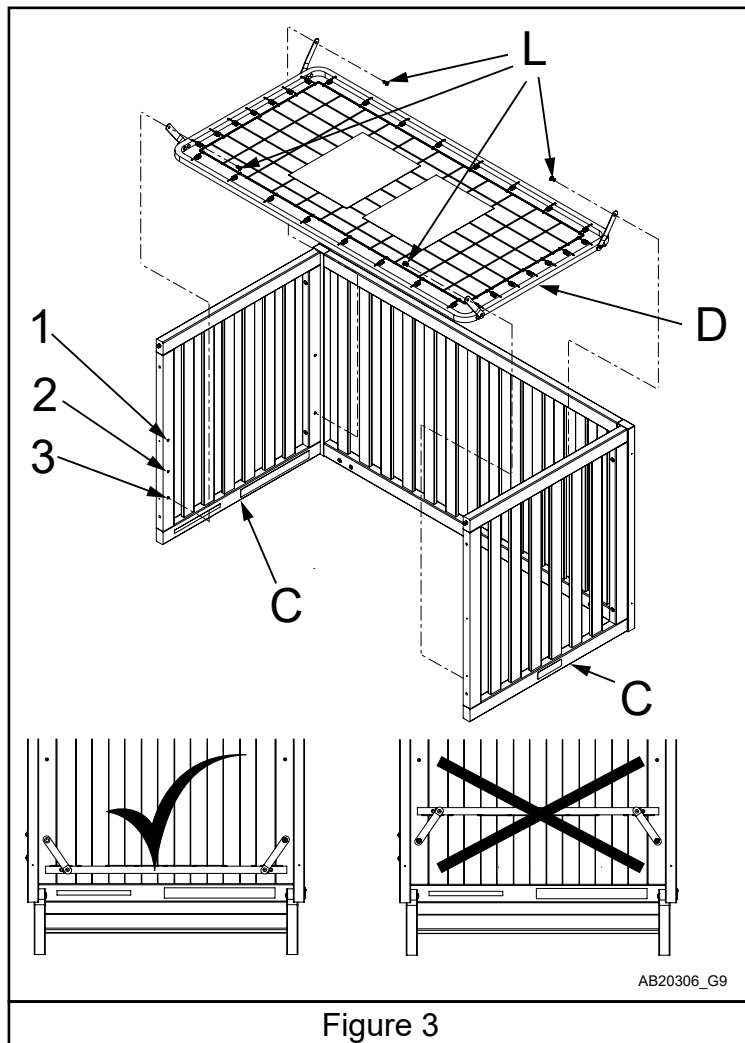
Note: Pouches containing warnings and instructions face up on top surface of spring.

Position tabs on spring at approximately a 45 degree angle. The Spring (D) is lowered into the crib. Take care not to scratch the wood with the metal spring. Align the spring brackets with the holes in the crib at the desired height. Insert Allen Bolt (L) into hole in spring brackets from inside of crib then into threaded insert at correct height hole in the crib.

Tighten all bolts securely with Allen Wrenches.

To Adjust height of Spring (D) remove Bolts (L). Then relocate Spring (D) to new height adjustment level and install Bolts (L) as described in previous paragraph.

See Figure 3.



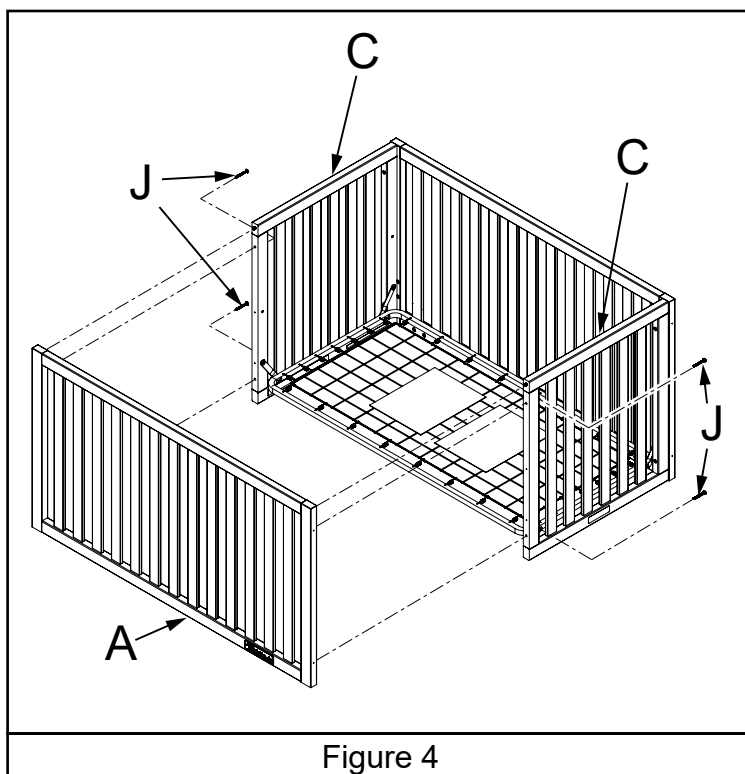
STEP 4

Assemble Long Side Assembly to crib.

Align Long Side Assembly (A) with both Head-Foot Assemblies (C). Insert Allen Head Bolts (J) through Head-Foot Assemblies and snug into the Long Side Assembly (A).

Tighten all bolts securely.

See Figure 4.



STEP 5

Assemble Leg Assembly to crib.

Align Leg Assemblies (E) with holes in bottom of Long Side Assembly (A) and Long Headboard Assembly (B). Insert Allen Head Bolts (K) through Leg Assemblies (E) into Long Side Assembly (A) and Long Headboard Assembly (B).

Tighten all Bolts securely.

See Figure 5.

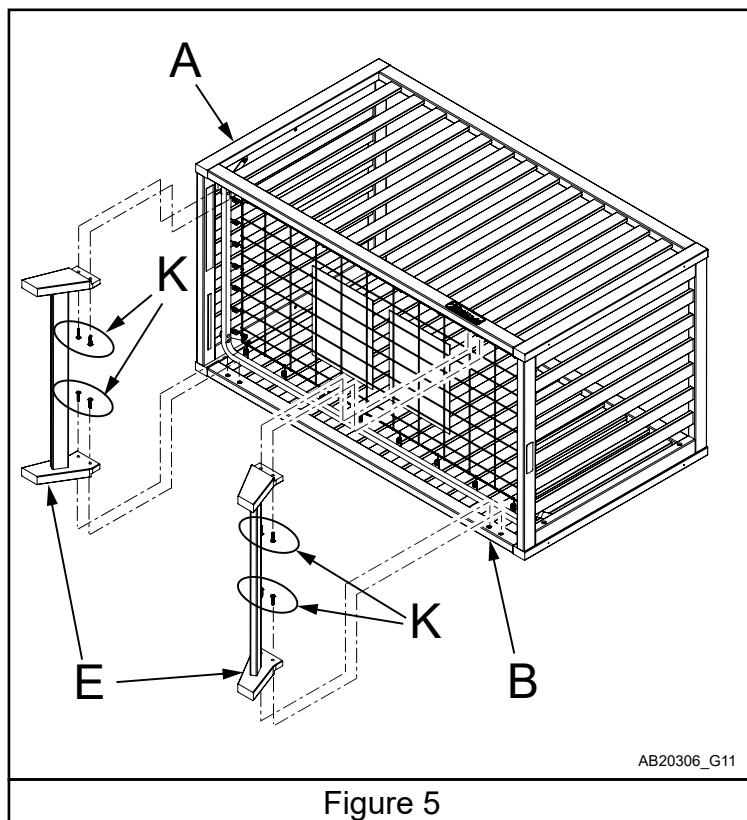
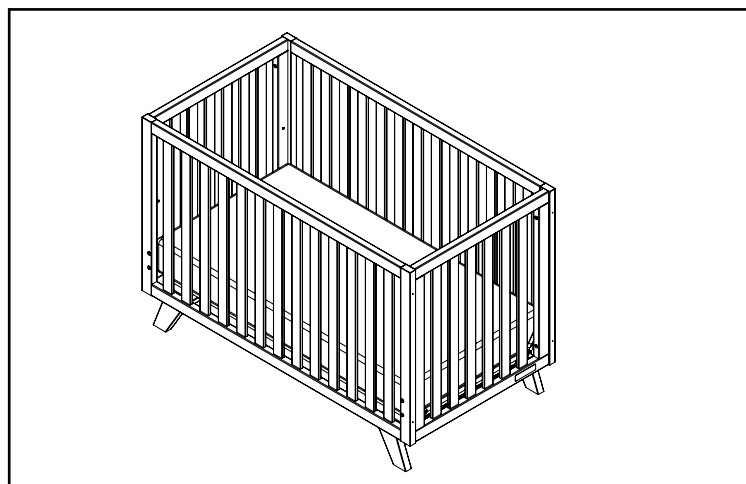


Figure 5

Finishing Touches

Place a purchased full sized mattress on the spring. After completing the crib assembly, and after making yourself aware of **WARNINGS, CAUTIONS, CLEANING, STORAGE, USE** and **MAINTENANCE** of crib on pages 9 and 10, store the assembly directions in the pouch which was preattached to the spring. For future referral to assembly directions you will only need to remove them from the pouch. We caution you not to store excess hardware in pouch as this would be a danger to child if retrieved by him/her.



Toddler Bed

Toddler bed conversion:

Follow assembly instructions up to and including Step 3. Spring (D) should be assembled and installed in the lowest position as shown in Step 3.

If the Long Side Assembly (A) is in place it must be removed. Save the hardware and assembly for future possible use.

Align Toddler Post Footboard (H) with Head-Foot Assembly (C). Insert Allen Head Bolts (J) into Head-Foot Assembly (C) and snug into Toddler Post Footboard (H).

Repeat assembly with Toddler Post Headboard (G) and Head-Foot Assembly (C).

Tighten all Bolts securely.

See Figure 6.

Align Toddler Bed Rail (F) between (G) and (H) by inserting dowels in ends of (F) into receiving holes in (G) and (H). Place joint Connector Nuts (P) in back of Toddler Bed Rail (F). Align the Nuts with screwdriver to accept the Allen Head Bolts (I).

Snug Allen Head Bolts (I) into Toddler Bed Rail (F). Attach leg assemblies (E) to (F) and (B) as shown in Figure 7.

Snug Allen Head Bolts (K) through Leg Assemblies (E) into Toddler Bed Rail (F) and Long Headboard Assemblies (B).

Tighten all Bolts securely.

See Figure 7.

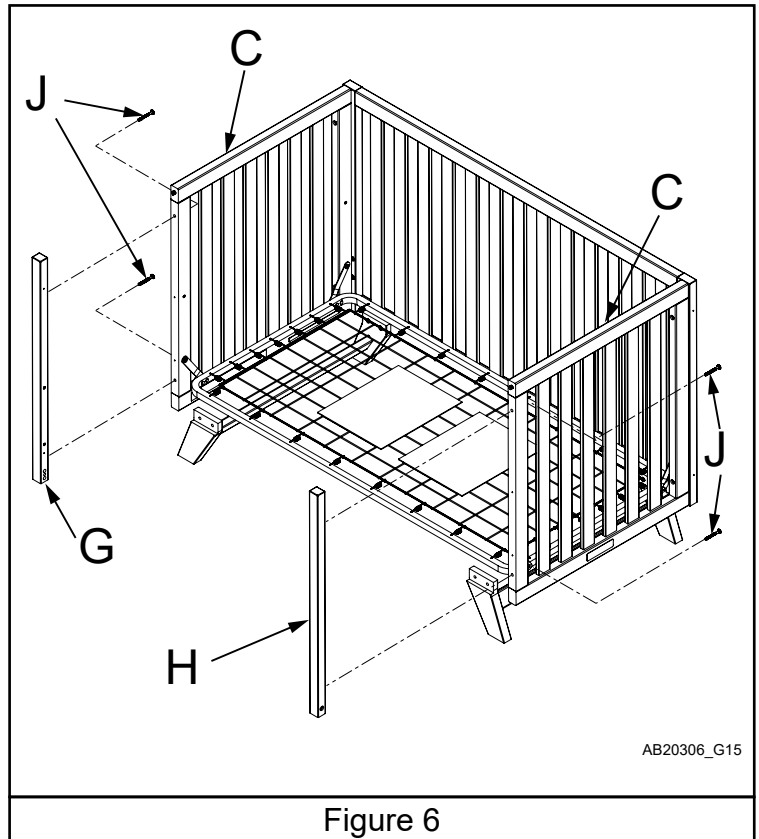


Figure 6

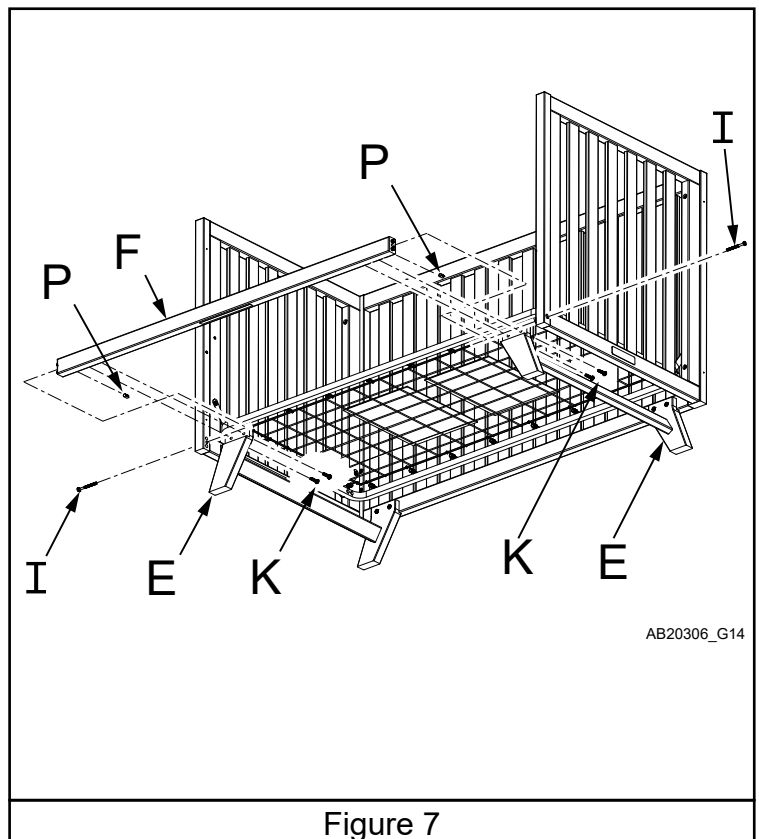




Figure 7

WARNINGS (For Toddler Bed)

 **WARNING:** INFANTS HAVE DIED IN TODDLER BEDS FROM ENTRAPMENT. Openings in and between bed parts can entrap head and neck of a small child. NEVER use bed with children younger than 15 months. ALWAYS follow assembly instructions.

 **WARNING:** STRANGULATION HAZARD: NEVER place bed near windows where cords from blinds or drapes may strangle a child. NEVER suspend strings over bed. NEVER place items with a string, cord or ribbon, such as hood strings or pacifier cords, around a child's neck. These items may catch on bed parts.

 **CAUTION:** ENTRAPMENT HAZARD: To avoid dangerous gaps, any mattress used in this bed shall be a full-sized crib mattress at least 51 5/8 in. (1310 mm) in length, 27 1/4 in. (690 mm) in width, and 4 in. (100 mm) in thickness.

- The users maximum weight shall not be greater than 50 lbs. (22.7 kg).
- Mattress **MUST** be moved into lowest position for proper positioning.
- This crib contains all components necessary to convert to a toddler bed. However, a guardrail may be available for purchase to provide additional security. Contact Foundations for assistance. Refer to maintenance section for contact information.

Toddler Bed Guard Rail Option and Installation

For added security, a guard rail can be purchased for this crib. Contact Foundations or your dealer.

Follow the directions supplied with the purchased guard rail.

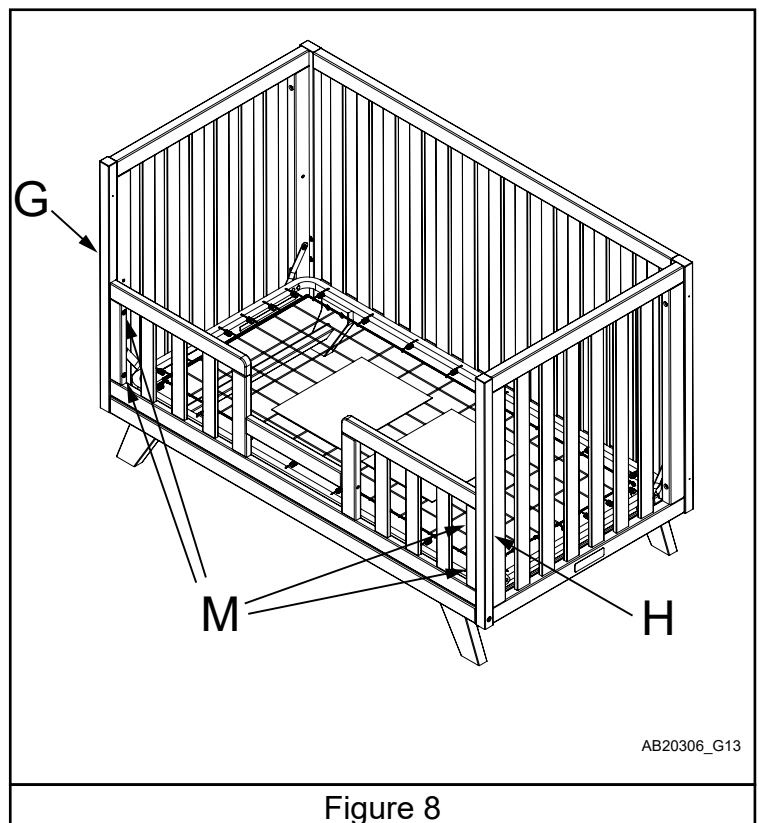
Note: 4 of the Allen Head Bolts (M) and (2) Toddler Posts (G and H) will be needed to attach the guard rail. First, convert crib to toddler bed as described earlier.

Guard rail must be installed between Toddler Posts (G) and (H) for this crib. Save the hardware and assemblies for future possible use.

General guard rail instructions will be included in the guard rail kit.

Note: Allen Head Bolts (M) will thread into metal inserts in Toddler Posts (G and H). Align holes in ends of guard rail with inserts. Carefully thread in Bolts (M) and tighten securely.

See Figure 8.



Full Size Bed Configuration

This Crib is designed to convert into a full size bed headboard.

The following parts needed are not provided by Foundations but may be purchased from a furniture/ bedding store and hardware store.

S. Full size Hollywood style Bed Frame.

T. 1/4" x 20 x 1 1/2" Long Bolts.

U. 1/4" x 20 Nuts.

Align Hollywood Bed Frame with holes in Long Headboard Assembly (B). Insert Bolts (T) Through Long Headboard Assembly (B) and frame.

Tighten Nuts and Bolts securely

See Figure 9

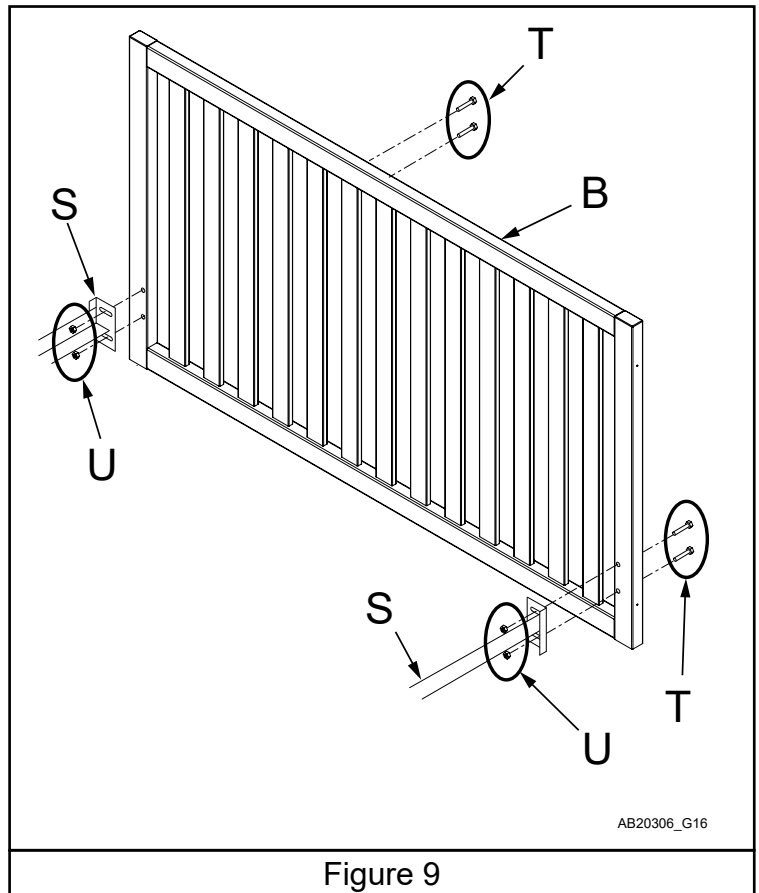


Figure 9

CAUTION

- ANY MATTRESS USED IN THIS CRIB SHALL BE AT LEAST 27 1/4 BY 51 5/8 IN. WITH A THICKNESS NOT EXCEEDING 6 IN. IF YOUR CRIB IS DESIGNED TO CONVERT TO A TODDLER BED, THE MATTRESS MUST BE AT LEAST 4 IN. (100 MM) THICK.
- UPON COMPLETION OF ASSEMBLY BE SURE ALL SCREWS, BOLTS AND FASTENING DEVICES HAVE BEEN TIGHTENED SECURELY. A FREQUENT CHECK SHOULD BE MADE OF ALL SCREWS, BOLTS AND FASTENING DEVICES AND TIGHTEN IF NEEDED.

Maintenance Cleaning and Storage

MAINTENANCE:

Upon completion of the assembly, check to make sure all screws, bolts and connectors are tightened and secure.

Periodically check crib for damaged hardware, loose joints, missing parts or sharp edges before and after assembly and frequently during use.

DO NOT use crib if any parts are missing or broken.

If any parts are missing, broken or you need Assistance DO NOT return crib to your dealer.

Call Foundations at 330.722.5033 and include model identification numbers recorded on page 1.

DO NOT substitute parts.

CLEANING:

Mix a mild solution of gentle dishwashing soap and water, apply to surface using a clean cloth lightly dampened in the solution. Rinse well with clear water using a soft clean cloth, then dry all surfaces with a soft dry cloth.

DO NOT use abrasive cleaners or any cleaners with harsh chemicals that would contact a child's skin, scouring pads, steel wool or coarse rags. This crib should be treated the same as any fine furniture.

STORAGE:

When storing crib use caution as extreme temperature or humidity changes could be harmful. Use caution when a vaporizer is in use. Always aim vapor stream away from crib as well as away from any wood furniture item.

After completing the assembly the user is advised to read and be aware of **ALL WARNINGS, CAUTIONS, CLEANING, STORAGE USE AND MAINTENANCE** notices in these directions and printed on the storage pouch on the crib spring. A printed pouch is attached to the crib spring for the permanent storage of the assembly directions. Please place the complete set of assembly directions into the pouch for future referral. We caution the user to not place excess hardware in the pouches as it could present danger to the child if retrieved.



WARNING

FAILURE TO FOLLOW THESE WARNINGS AND THE ASSEMBLY INSTRUCTIONS COULD RESULT IN SERIOUS INJURY OR DEATH.

⚠ WARNING: Infants can suffocate on soft bedding. **NEVER** add a pillow or comforter. **NEVER** place additional padding under an infant.

- Read all instructions before assembling crib. Keep instructions for future use. A pouch is attached to the crib for permanent storage of the instructional literature.
- To reduce the risk of SIDS, pediatricians recommend healthy infants be placed on their backs to sleep, unless otherwise advised by your physician.
- Strings can cause strangulation! **DO NOT** place items with a string around a child's neck, such as hood strings or pacifier cords. **DO NOT** suspend strings over a crib or attach strings to toys.
- To help prevent strangulation, tighten all fasteners. A child can trap parts of the body or clothing on loose fasteners.
- **DO NOT** place crib near window where cords from blinds or drapes may strangle a child.
- When child is able to pull to standing position, set mattress to lowest position and remove bumper pads, large toys and other objects that could serve as steps for climbing out.
- Stop using crib when child begins to climb out or reaches the height of 35 in. (89 cm).
- After raising side, make sure latches are secure (if your unit has a movable side).
- **DO NOT** leave child in crib with side lowered. Be sure side is in raised and locked position whenever child is in crib (if your crib has a moveable side).
- Check this product for damaged hardware, loose joints, loose bolts or other fasteners, missing parts or sharp edges before and after assembly and frequently during use. Securely tighten bolts and other fasteners. **DO NOT** use the crib if any parts are missing, damaged or broken. If any parts are missing or broken or you need assistance with assembly, **DO NOT** return the product to your dealer. Call Foundations for assistance at 1 877.716.2757 (U.S. Only) or +1 330.722.5033 for replacement parts and instructional literature if needed. Include model identification numbers recorded on page 1 with your request. **DO NOT** substitute parts.
- Replace teething rail(s) if damaged, cracked or loose (if equipped with teething rails).
- If refinishing use a non-toxic finish specified for children's products.
- Follow warnings on all products in a crib.
- **NEVER** use plastic shipping bags or other plastic film as mattress covers because they can cause suffocation.
- Infants can suffocate in gaps between crib sides and a mattress that is too small.
- **DO NOT** use a water mattress with this crib.
- When disassembling this crib, **DO NOT** remove any item attached with wood screws.



5216 Portside Dr.
Medina, Ohio 44256 USA
Telephone: 330.722.5033
Fax: 330.722.5037
www.childcraftbaby.com

**Meets CPSC
Safety Requirements**