

CRIB'N'DOUBLE BED

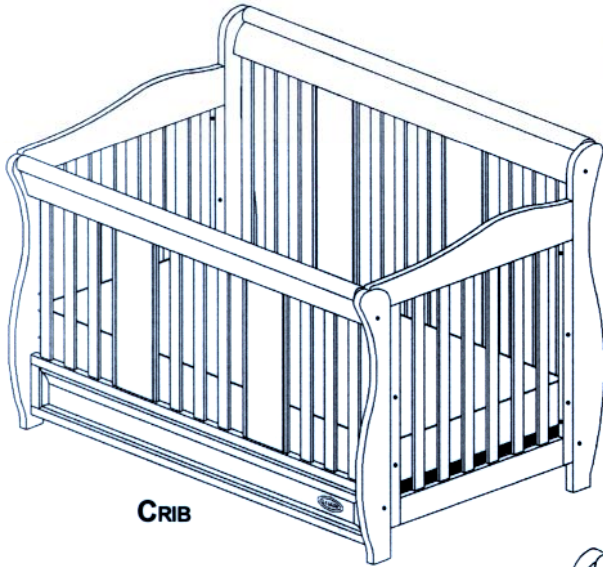


CONVERTS TO TODDLER BED  
AND FULL SIZE HEADBOARD AND FOOTBOARD  
37651

CHILD CRAFT INDUSTRIES, INC.  
P.O. Box 335, New Salisbury, IN USA 47161-0335 PH: 812-206-2200 FAX: 812-206-2250  
www.childcraftindustries.com

# ASSEMBLY DIRECTIONS AND PARTS LIST

Directions for Maintenance, Cleaning, Storage, and Use of your Crib'n'Double Bed are also included.

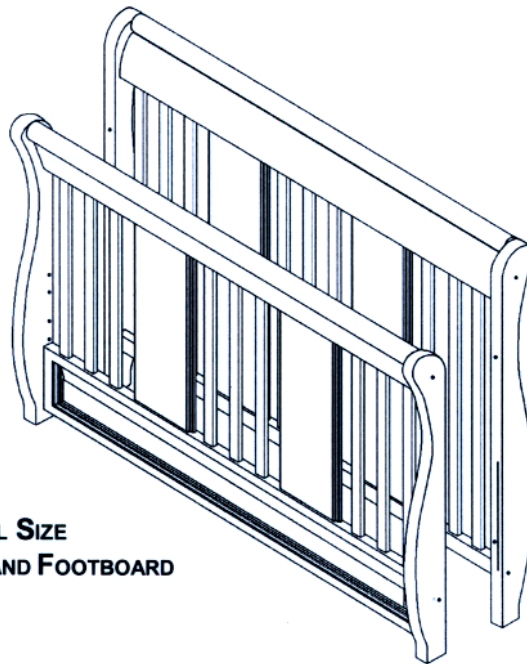


CRIB

(STYLE MAY VARY)



TODDLER BED



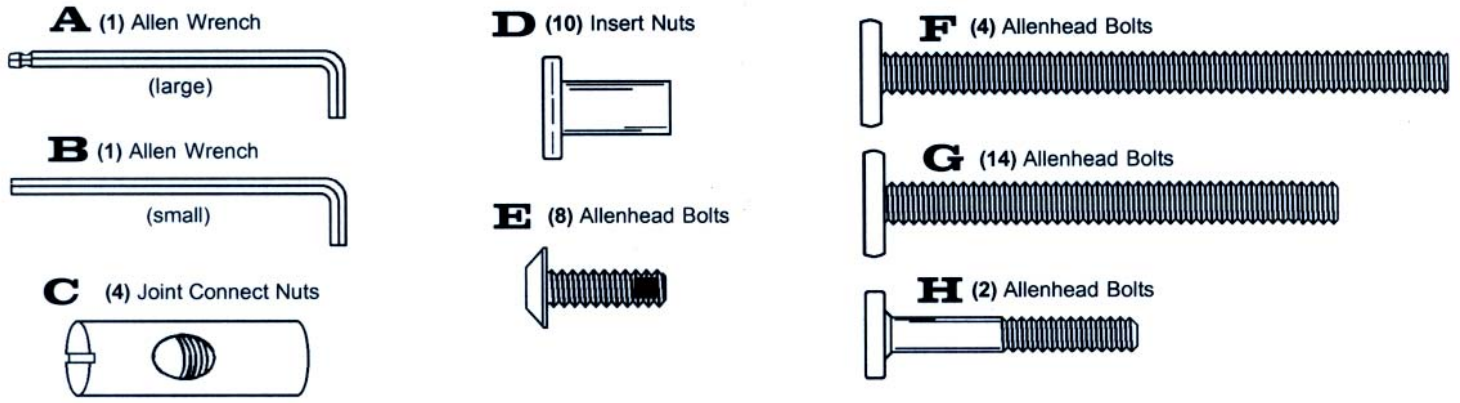
FULL SIZE  
HEADBOARD AND FOOTBOARD

- BEFORE STARTING THE ASSEMBLY PROCEDURE, READ ALL DIRECTIONS WITH CARE.
- YOU WILL NEED THE FOLLOWING FOR THE ASSEMBLY OF YOUR LEGACY BED:

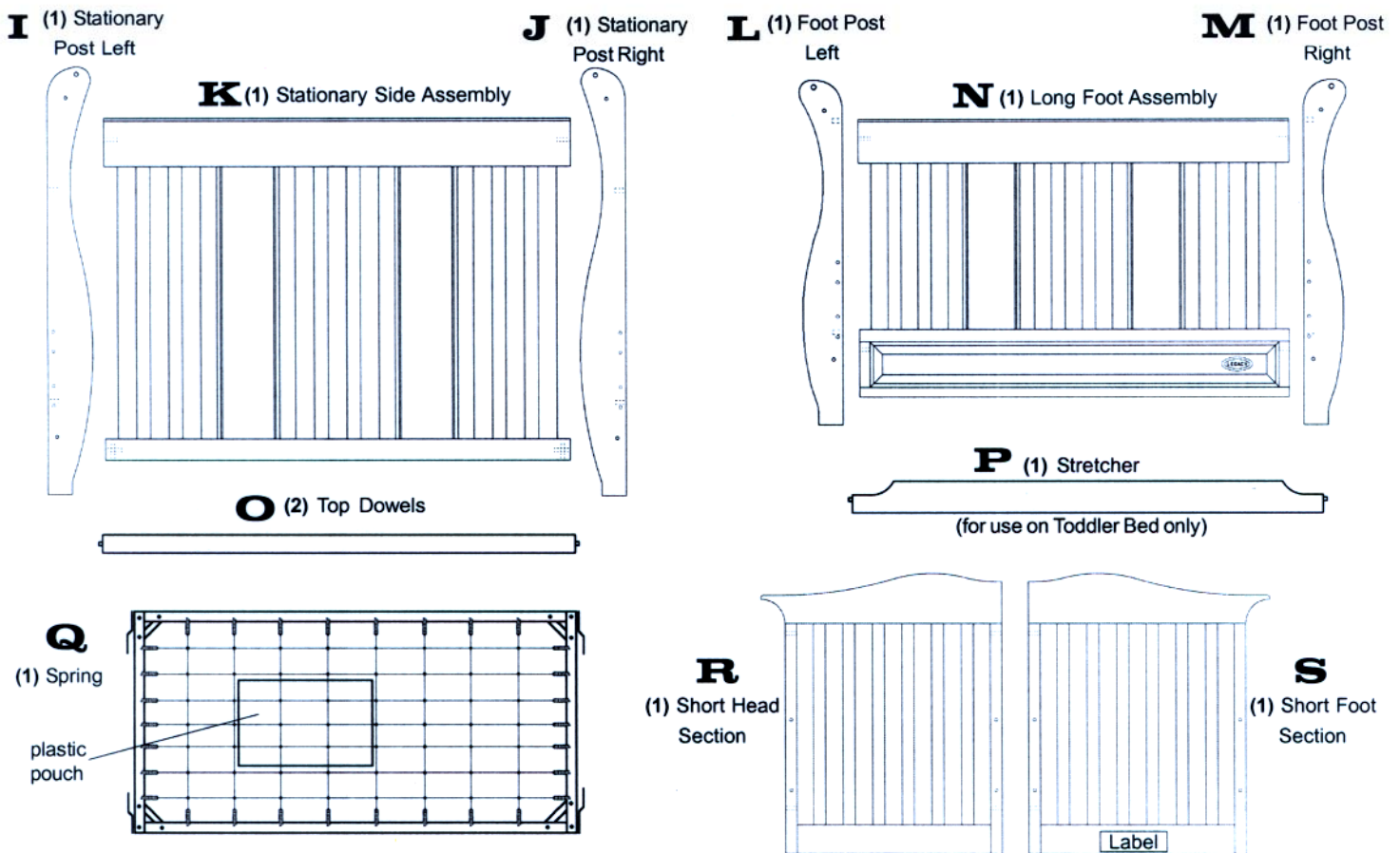
✓ slotted screwdriver    ✓ enclosed Allen Wrenches **A & B**



**PARTS ENCLOSED IN HARDWARE BAG (NOTED WHEN SHOWN ACTUAL SIZE)**



**PARTS ENCLOSED IN CARTON**



**PREPARATION**

Carefully remove and lay out all hardware and parts. Check quantities and match the Hardware List and the Parts List. **NOTE:** During the assembly process, when using screws or bolts, check each with the PARTS ENCLOSED IN HARDWARE BAG list by letter and size identification. Place each screw or bolt on the diagram of the item which is sketched actual size. Be sure to use the proper size specified in the assembly directions. If a part is missing or broken contact your Legacy dealer or Child Craft, P.O. Box 335, New Salisbury, IN 47161-0335 USA, 812-206-2200, <http://www.childcraftindustries.com> for replacement part(s) or instructional literature. Before making this contact identify your Crib'n'Double Bed by the model identification number stamped on the label attached to the inside face of Short Foot Section **S** bottom rail. Make note of all identification numbers and include this information with your request. **DO NOT SUBSTITUTE PARTS!** Record your model identification number here for future identification:

Model # \_\_\_\_\_

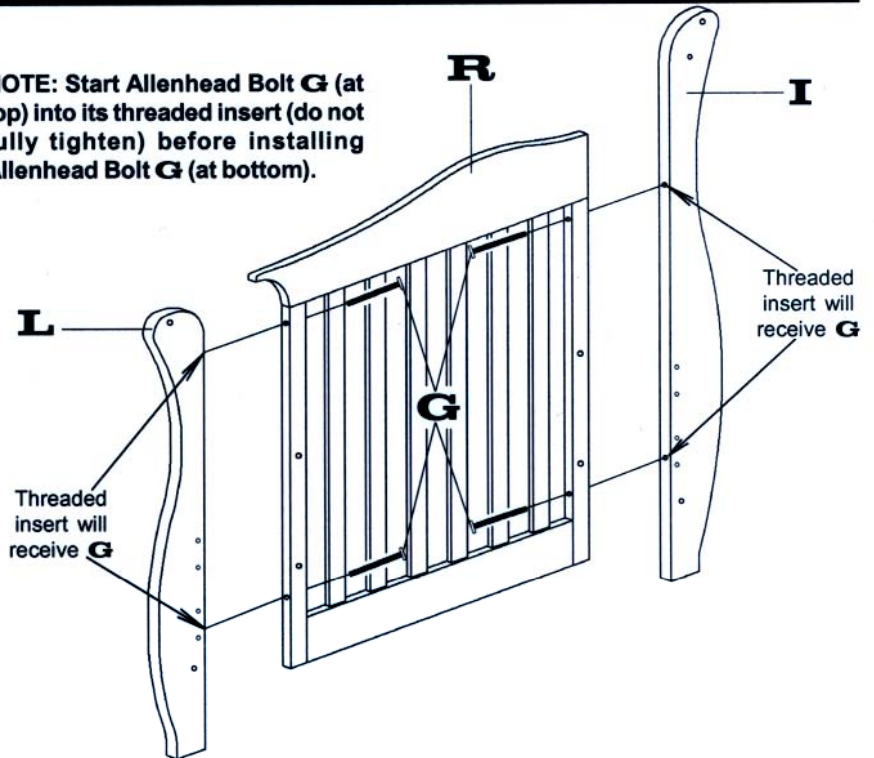


**STEP 1 - DIAGRAM 1: ATTACH POSTS TO SHORT FOOT AND HEAD SECTION**

Attach Foot Post Left **L** and Stationary Post Left **I** to Short Head Section **R** as shown. Lay all three pieces horizontal on a soft surface (carpet) and start by inserting Allenhead Bolt **G** through its upper receiving hole in the corner post of Short Head Section **R** and into the factory installed threaded insert in Foot Post Left **L** and Stationary Post Left **I**. Start threads three or four turns using Allen Wrench **A**. Do not fully tighten at this time.

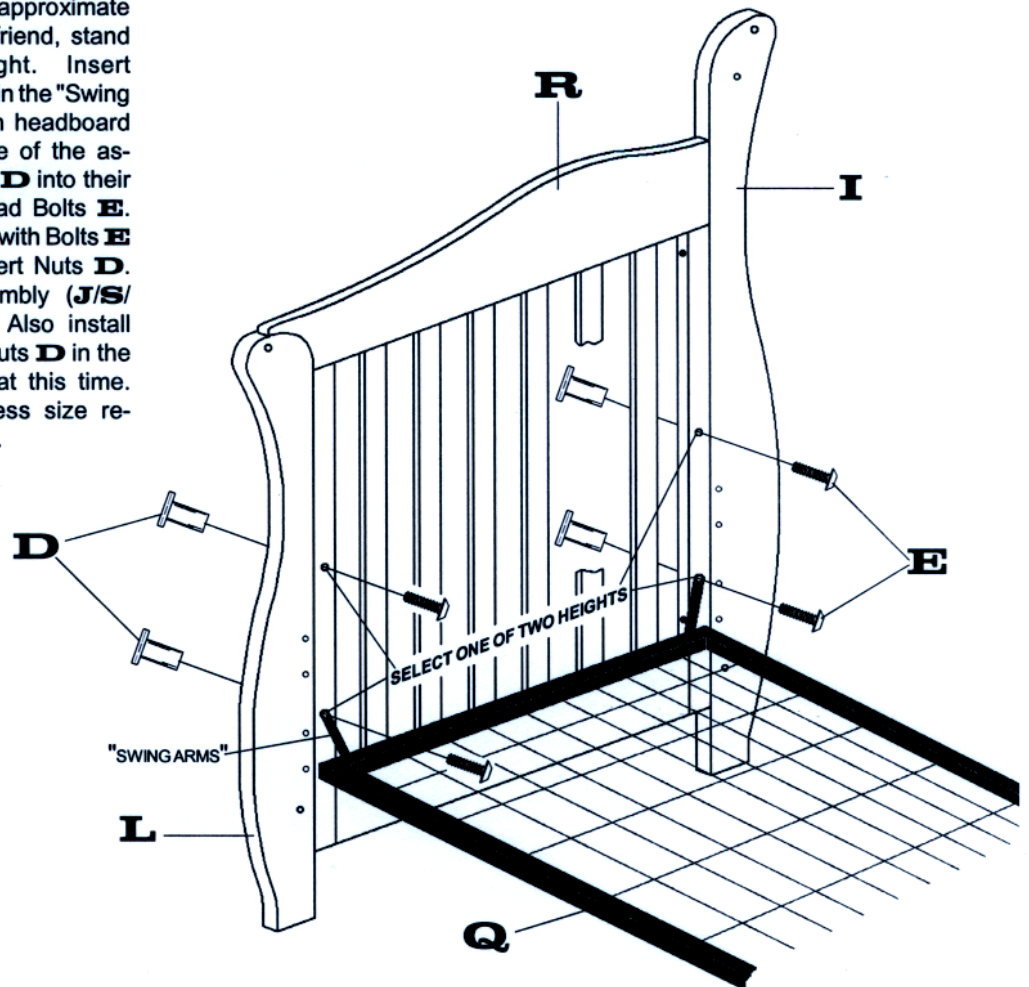
Insert Allenhead Bolt **G** through the lower receiving hole located in the corner post of Short Head Section **R** and into the threaded insert in Foot Post Left **L** and Stationary Post Left **I**. Once Allenhead Bolts **G** are properly aligned and both are started into their threaded inserts, tighten both securely using Allen Wrench **A**. Follow the same procedure for attaching Foot Post Right **M** and Stationary Post Right **J** to Short Foot Section **S**. Insure all Allenhead Bolts are tightened securely before continuing with next step.

**NOTE: Start Allenhead Bolt G (at top) into its threaded insert (do not fully tighten) before installing Allenhead Bolt G (at bottom).**



**STEP 2 - DIAGRAM 2: INSTALL SPRING**

Before installing Spring **Q**, determine the height for installation. Pull out "Swing Arms" to the approximate angle as shown. With the help of a friend, stand headboard assembly (**L/R/I**) upright. Insert Allenhead Bolts **E** into the locator holes in the "Swing Arms" and through the locator holes in headboard assembly (**L/R/I**). From the outside of the assembled crib, insert Bronze Insert Nuts **D** into their locator holes and thread onto Allenhead Bolts **E**. Tighten securely using Allen Wrench **A** with Bolts **E** and Allen Wrench **B** with Bronze Insert Nuts **D**. Attach Spring **Q** to the footboard assembly (**J/S/M**) following the same procedure. Also install Allenhead Bolts **E** and Bronze Insert Nuts **D** in the spring height locator holes not used at this time. Before installing mattress, see mattress size requirements under **CAUTION** on page 6.

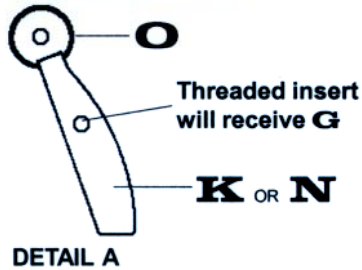




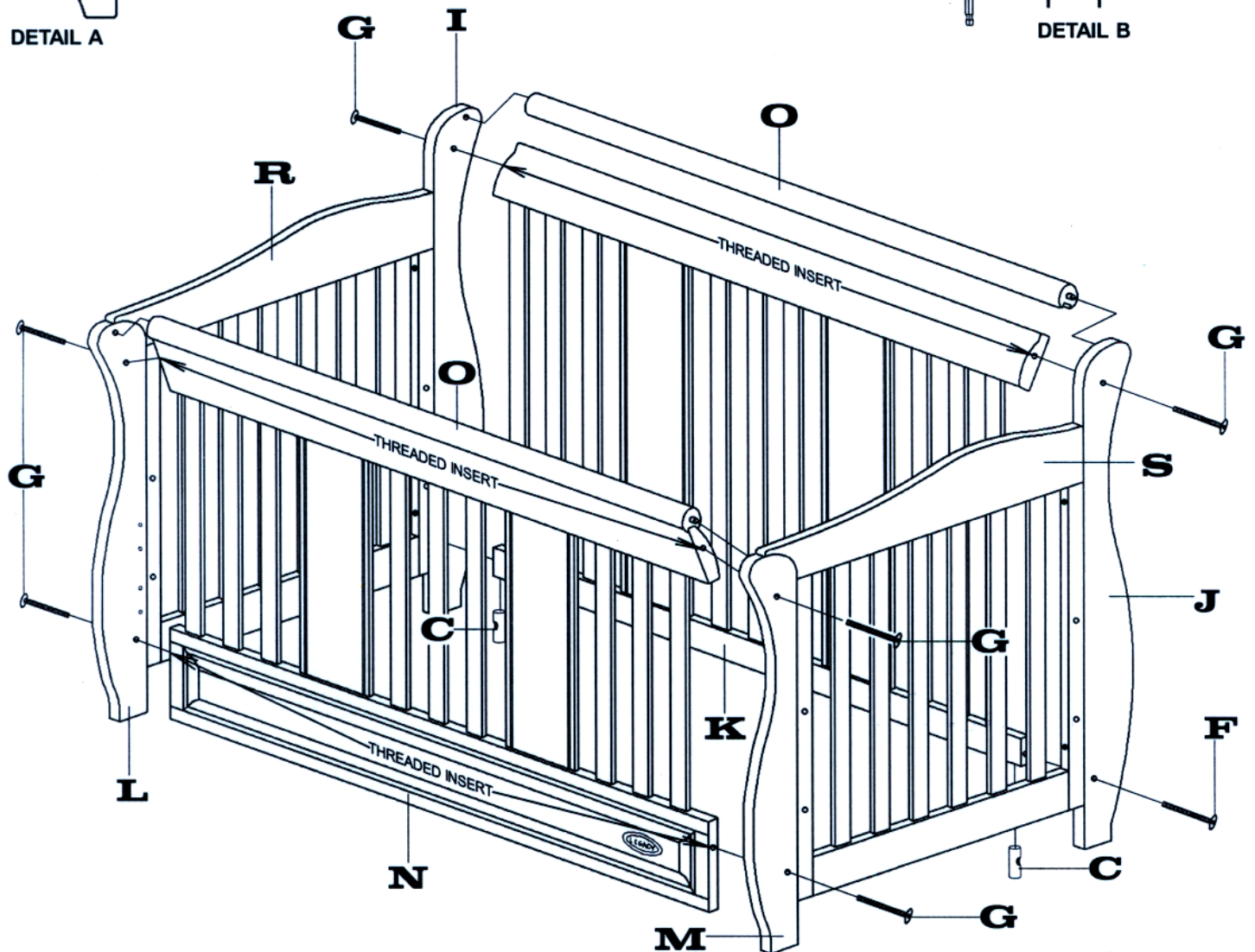
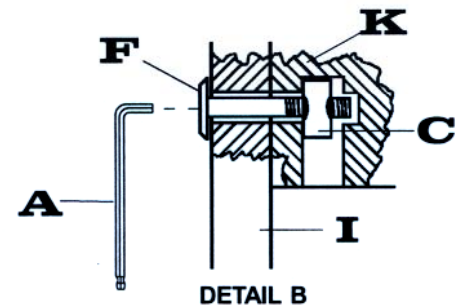
### STEP 3 - DIAGRAM 3: ATTACH STATIONARY SIDE AND LONG FOOT ASSEMBLIES

**NOTE:** It may be necessary to loosen Insert Nuts **D** and Allenhead Bolts **E** attaching Spring **Q**. Locate Top Dowel **O** on top of Long Foot Assembly **N**. See **DETAIL A**. Spread Foot Posts **L** & **M** just enough to allow Wood Dowels to fit into their receiving holes in Foot Posts **L** & **M**. Insert an Allenhead Bolt **G** through the hole near the top of Foot Posts **L** & **M** and into the threaded insert in the top rail of Long Foot Assembly **N**. Tighten four or five revolutions but do not fully tighten at this time. Insert an Allenhead Bolt **G** through the hole near the bottom of Foot Posts **L** & **M** and into the threaded insert in the bottom rail of Long Foot Assembly **N**. Locate Top Dowel **O** on top of Stationary Side Assembly **K**. See **DETAIL A**. The wood dowels in the ends of Top Dowels **O** will locate into their receiving holes (top hole) in Stationary Posts **I** & **J**. Insert an Allenhead Bolt **G** through the hole near the top of Stationary Posts **I** & **J** and into the threaded inserts in Stationary Side Assembly **K**. Using Allen Wrench **A** tighten four or five revolutions but **do not fully tighten at this time**. Insert an Allenhead Bolt **F** through the receiving hole near the bottom of Stationary Posts **I** & **J** and into the receiving holes in Stationary Side Assembly **K**. Insert a Joint Connect Nut **C** into holes in the bottom rail of Stationary Side Assembly **K**. Using a slotted screwdriver, align their threaded hole with the threads on Allenhead Bolts **F**. See **DETAIL B**. Hold Joint Connect Nuts **C** in position with a slotted screwdriver and tighten Allenhead Bolts **F** using Allen Wrench **A**. Using Allen Wrench **A** **fully tighten the (4) Allenhead Bolts **F** & **G** at this time**. Using Allen Wrench **A**, tighten the (4) Allenhead Bolts **G** at this time. Retighten all Insert Nuts **D** and Allenhead Bolts **E** attaching Spring **Q** which you may have loosened.

Locate Top Dowel **O** on **K** and **N** as shown



**NOTE: SPRING INSTALLED IN STEP 2 IS DELETED FROM DIAGRAM FOR CLARITY & DETAIL.**





## CONVERSION TO A TODDLER BED

When use as a crib has been completed, you have the option to convert to a Toddler Bed for years of additional use in your child's room. Refer to **STEP 2 - DIAGRAM 2** to move Spring **Q** to lowest position. Remove Long Foot Assembly **N** and Top Dowel **O** that is attached to Foot Posts **L** & **M**. Install Crib Stretcher **P** as shown in **Sketch A**. Dowel on Stretcher **P** locates in top hole at bottom of Foot Posts **L** & **M**, then secure with Allenhead Bolt **F** and Joint Connect Nut **C** shown installed. Install Insert Nut **D** and Allenhead Bolt **H** in holes near top of Foot Posts **L** & **M** as shown. Tighten Allenhead Bolt **H** with Allen Wrench **A** and Insert Nut **D** with Allen Wrench **B**. Spring **Q** must be installed in lowest position. Store the removed parts and hardware in the event you wish to convert your toddler bed back to a crib.

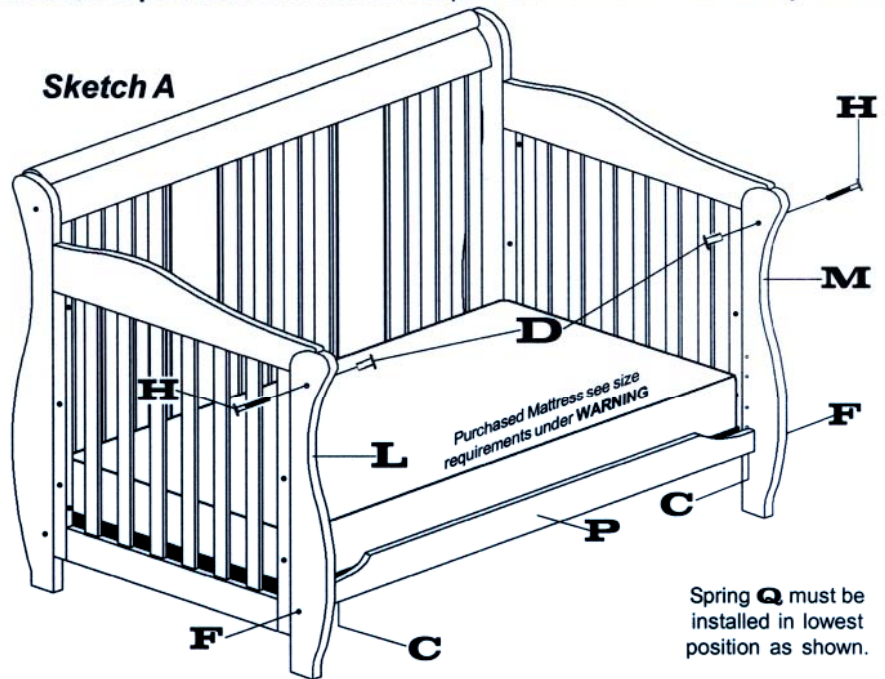
### **WARNING**

**NOTE:** When using as a Toddler Bed the mattress must have minimum dimensions of 51-5/8 in. (1310mm) in length and 27-1/4 in. (690mm) in width and 4 in. (100mm) in thickness but not to exceed 6 in.

It is very important that Stretcher **P** is used when converting to a Toddler Bed. Failure to install this part could result in serious injury or death.

When using as a Toddler Bed, the minimum age shall not be less than 15 months and the maximum weight shall not be greater than 50 lb (22.7 kg).

*Sketch A*

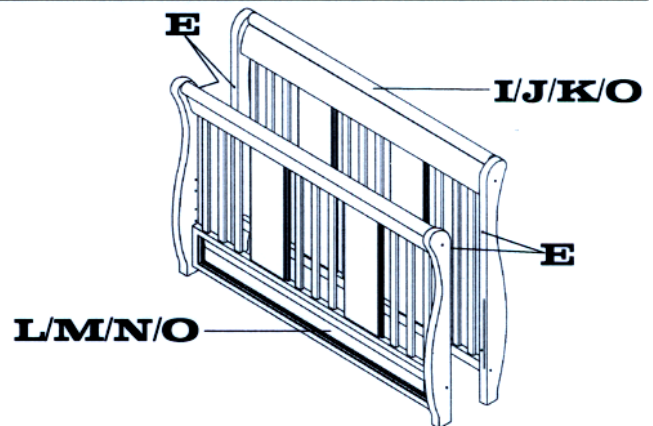


Spring **Q** must be installed in lowest position as shown.

## CONVERSION TO A FULL SIZE HEADBOARD & FOOTBOARD

Disassemble crib by removing Spring **Q**. Also remove Short Head Section **R** and Short Foot Section **S** from Foot Posts **L** & **M** and Stationary Posts **I** & **J**. Attach the Stationary Side Assembly **I/J/K/O** and the Long Foot Assembly **L/M/N/O** to "Hook-End" style full size bed rails (Model #6444) at the desired height. The "Hooks" on the bed rails locate over the factory installed pins in the slots in Foot Posts **L** & **M** and Stationary Posts **I** & **J**. Fill empty holes (threaded inserts) in the top of posts **I/J/L/M** with Allenhead Bolts **E**.

Bed rails sold separately.  
Contact your Legacy dealer to order.



**MAINTENANCE OF YOUR LEGACY CRIB/TODDLER BED/FULL SIZE HEADBOARD & FOOTBOARD:** Upon completion of assembly be sure all screws, bolts and fastening devices have been tightened securely. A frequent check should be made of all screws, bolts and fastening devices and tightened if needed. Before each usage or assembly, inspect crib for damaged hardware, loose joints, missing parts or sharp edges. **DO NOT** use crib if parts are missing or broken. Contact your Legacy Dealer or Legacy at 812-206-2200, or <http://www.childcraftindustries.com>, for a replacement part or instructional literature if needed. Include Model Identification Number with your request which you recorded on Page 2 of these instructions. **DO NOT SUBSTITUTE PARTS. DO NOT MAKE ANY ALTERATIONS NOT DESCRIBED IN THESE ASSEMBLY DIRECTIONS.**

**CLEANING INSTRUCTIONS FOR YOUR LEGACY CRIB/TODDLER BED/FULL SIZE HEADBOARD & FOOTBOARD:** Mix together a mild solution of gentle dishwashing liquid and water, apply to surface using a soft clean cloth lightly dampened in the solution. Rinse with clear water again using a soft clean cloth, then dry all surfaces thoroughly with a soft dry cloth. **NO ABRASIVE CLEANERS, SCOURING PADS, STEEL WOOL, OR COARSE RAGS SHOULD BE USED TO CLEAN THIS FINE FURNITURE.**

**STORAGE AND USE OF YOUR LEGACY CRIB/TODDLER BED/FULL SIZE HEADBOARD & FOOTBOARD:** A printed plastic pouch is attached to the crib spring for the permanent storage of the assembly directions. After completing the assembly process you are advised to read and be aware of all **WARNINGS, CAUTIONS, CLEANING, STORAGE, USE AND MAINTENANCE** notices contained in this set of directions and printed on the plastic pouch located on the underneath side of the crib spring. You will then place the complete set of assembly directions into the plastic pouch for future referral. We caution you not to place excess hardware in the plastic pouch as it could present danger to a child if retrieved. When storing crib use **CAUTION** as extreme temperature or humidity changes could be harmful. Use **CAUTION** when a vaporizer is in use, always aim vapor stream away from crib as well as away from any wood furniture item.



# WARNING

▲FAILURE TO FOLLOW THESE WARNINGS AND ASSEMBLY INSTRUCTIONS COULD RESULT IN SERIOUS INJURY OR DEATH.

▲READ ALL INSTRUCTIONS BEFORE ASSEMBLING CRIB. KEEP INSTRUCTIONS FOR FUTURE USE. A PLASTIC POUCH IS ATTACHED TO CRIB FOR PERMANENT STORAGE OF THE INSTRUCTIONAL LITERATURE.

▲BEFORE EACH USAGE OR ASSEMBLY, INSPECT CRIB FOR DAMAGED HARDWARE, LOOSE JOINTS, MISSING PARTS OR SHARP EDGES. DO NOT USE CRIB IF ANY PARTS ARE MISSING OR BROKEN. ASK YOUR DEALER OR WRITE TO LEGACY, P.O. Box 335, New Salisbury, IN 47161-0335 USA 812-206-2200 FOR REPLACEMENT PARTS AND INSTRUCTIONAL LITERATURE IF NEEDED. INCLUDE MODEL IDENTIFICATION NUMBERS WITH YOUR REQUEST WHICH YOU RECORDED ON PAGE THREE. DO NOT SUBSTITUTE PARTS.

▲AFTER RAISING SIDE, MAKE SURE LATCHES ARE SECURE. IF YOUR UNIT HAS A DROP SIDE.

▲WHEN CHILD IS ABLE TO CLIMB OUT OR REACHES THE HEIGHT OF 35 INCHES (90 CENTIMETERS) THE CRIB SHALL NO LONGER BE USED.

▲DO NOT PLACE CRIB NEAR WINDOW WHERE CORDS FROM BLINDS OR DRAPES MAY STRANGLE A CHILD.

▲IF REFINISHING, USE A NON-TOXIC FINISH SPECIFIED FOR CHILDREN'S PRODUCTS.

▲DO NOT LEAVE CHILD IN CRIB WITH SIDE LOWERED. BE SURE SIDE IS IN RAISED AND LOCKED POSITION WHENEVER CHILD IS IN CRIB.

▲WHEN CHILD IS ABLE TO PULL TO STANDING POSITION, SET MATTRESS TO LOWEST POSITION AND REMOVE BUMPER PADS, LARGE TOYS AND OTHER OBJECTS THAT COULD SERVE AS STEPS FOR CLIMBING OUT.

▲NEVER USE PLASTIC SHIPPING BAGS OR OTHER PLASTIC FILM AS MATTRESS COVERS BECAUSE THEY CAN CAUSE SUFFOCATION.

▲DO NOT USE A WATER MATTRESS WITH THIS CRIB.

▲REPLACE TEETHING RAIL(S) IF DAMAGED OR LOOSE. (IF EQUIPPED WITH TEETHING RAILS.)

▲STRINGS CAN CAUSE STRANGULATION! DO NOT PLACE ITEMS WITH A STRING AROUND A CHILD'S NECK, SUCH AS HOOD STRINGS OR PACIFIER CORDS. DO NOT SUSPEND STRINGS OVER A CRIB OR ATTACH STRINGS TO TOYS.

▲REMOVE ALL CRIB TOYS WHICH ARE STRUNG ACROSS CRIB AREA WHEN YOUR CHILD IS BEGINNING TO PUSH UP ON HANDS AND KNEES OR IS 5 MONTHS OF AGE, WHICHEVER OCCURS EARLIEST. THESE TOYS CAN CAUSE STRANGULATION.

▲WHEN DISASSEMBLING THIS CRIB, DO NOT REMOVE ANY ITEM ATTACHED WITH WOOD SCREWS.

▲ALWAYS ENSURE A SAFE ENVIRONMENT FOR THE CHILD BY CHECKING REGULARLY, BEFORE PLACING THE CHILD IN THE CRIB, THAT EVERY COMPONENT IS PROPERLY AND SECURELY IN PLACE.

# CAUTION

▲ANY MATTRESS USED IN THIS CRIB MUST BE AT LEAST 27-1/4 INCHES (69 CENTIMETERS), BY 51-5/8 INCHES (131 CENTIMETERS), WITH A THICKNESS NOT EXCEEDING 6 INCHES (15 CENTIMETERS).

THE DIMENSIONS OF THE MATTRESS SHALL BE TAKEN FROM SEAM TO SEAM OR EDGE TO EDGE WHERE APPROPRIATE.

▲UPON COMPLETION OF ASSEMBLY BE SURE ALL SCREWS, BOLTS AND FASTENING DEVICES HAVE BEEN TIGHTENED SECURELY. A FREQUENT CHECK SHOULD BE MADE OF ALL SCREWS, BOLTS AND FASTENING DEVICES AND TIGHTEN IF NEEDED.



CHILD CRAFT INDUSTRIES, INC.  
P.O. BOX 335  
New Salisbury, IN 47161-0335 USA  
PH:812-206-2200  
FAX:812-206-2250  
<http://www.childcraftindustries.com>