



5216 Portside Dr., Medina, OH 44256 USA • PH: 1.330.723.0599 • FAX: 1.330.722.5037
www.childcraftbaby.com

Bristol™ Compact Stationary Side Crib

Model Covered: F99040

**Read all instructions BEFORE assembly and USE of product.
KEEP INSTRUCTIONS FOR FUTURE USE.**

THIS IS THE ASSEMBLY INSTRUCTIONS FOR CRIBS SOLD IN THE UNITED STATES.

**FOR CUSTOMER SERVICE CALL
1-330-723-0599. DO NOT CALL RETAILER
OR RESELLER FOR SERVICE AS THEY
ARE NOT AUTHORIZED TO
RESOLVE ANY SERVICE ISSUES.**

**FOR WARRANTY AND FEDERAL SAFETY
STANDARD COMPLIANCE CERTIFICATES,
PLEASE VISIT OUR WEBSITE AT
www.childcraftbaby.com**

ASSEMBLY ASSISTANCE

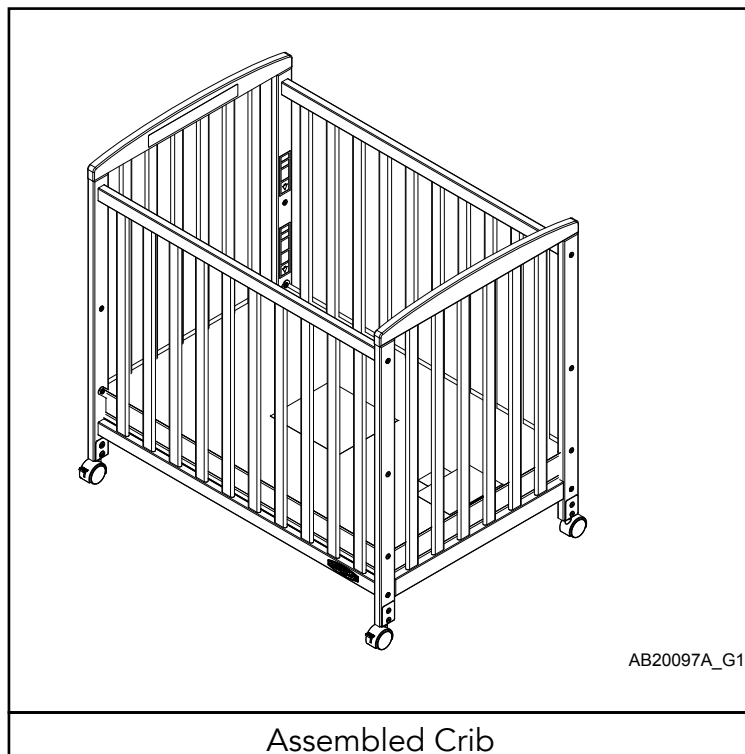
**IMPORTANT: Retain for future reference and
read carefully.**

Child Craft strives for the highest quality in our products but occasionally a missing part or problem can occur during assembly.

If any parts are missing or broken or you need assistance with assembly, DO NOT return the product to your dealer. Go to our website at www.childcraftbaby.com or call Child Craft for assistance at 1-330-723-0599 (Monday through Friday, 9:00 a.m.– 4:00 p.m. Eastern Time). Please have the model number and manufacture date available when you call or write us at:
Child Craft, 5216 Portside Dr., Medina, OH. 44256

ASSEMBLY INSTRUCTIONS

- Adult assembly required.
- Read all instructions BEFORE assembly and USE of product.
- Unpack carton, remove packing materials, including polybag. Identify and check all parts.



Record the information for your product here:

Model Number: _____

Manufacture Date: _____

PO Number: _____

PARTS LIST

Part Description	Part Number	Qty.
A. 4mm Allen Wrench	11200451	2
B. 6mm x 60mm Allen Head Bolt	11200452	8
C. 6mm x 14mm Allen Head Bolt	11200453	8
D. 6mm x 20mm Allen Head Bolt	11200454	8
E. 6mm Connector Nut	11200455	16
F. Joint Connector 6mm Thread	11200456	8
G. Locking Caster	12100050	2
H. Non-Locking Caster	12100051	2
I. Slatted End Panel	22301345	2
J. Stationary Side (Without Logo)	22301274	1
K. Stationary Side (With Logo)	22301346	1
L. Spring	11200420	1
M. Mattress	21100291	1

PREPARATION

Carefully remove and lay out all hardware and parts. Check quantities and match the parts list. Construct crib on an even flat floor.

Note: During the assembly process whenever using screws or bolts, check each with the parts list by letter and size identification. Place each screw or bolt on the diagram of the item which is sketched actual size. Be sure to use the proper size specified in the assembly directions. If any parts are missing or broken or you need assistance with assembly,

DO NOT return your product to the dealer.

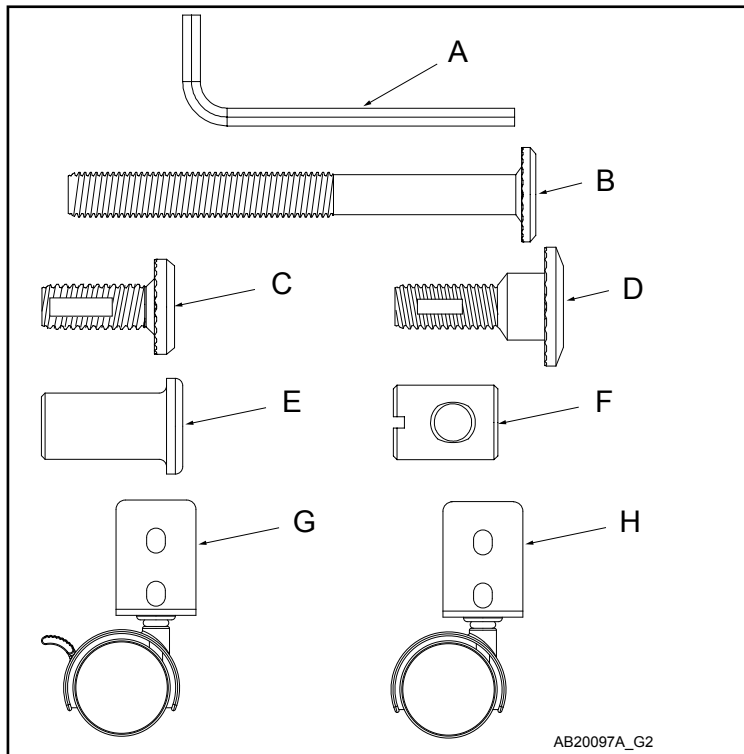
Please identify the crib by the model number identification and manufacture date, located on the End Panel bottom rail, when you call or write to Foundations. Make note of all identification numbers and include this information with your request.

The Allen Head Bolts (C and D) have a friction enhancing patch on the thread which may cause resistance during tightening.

DO NOT Substitute Parts!

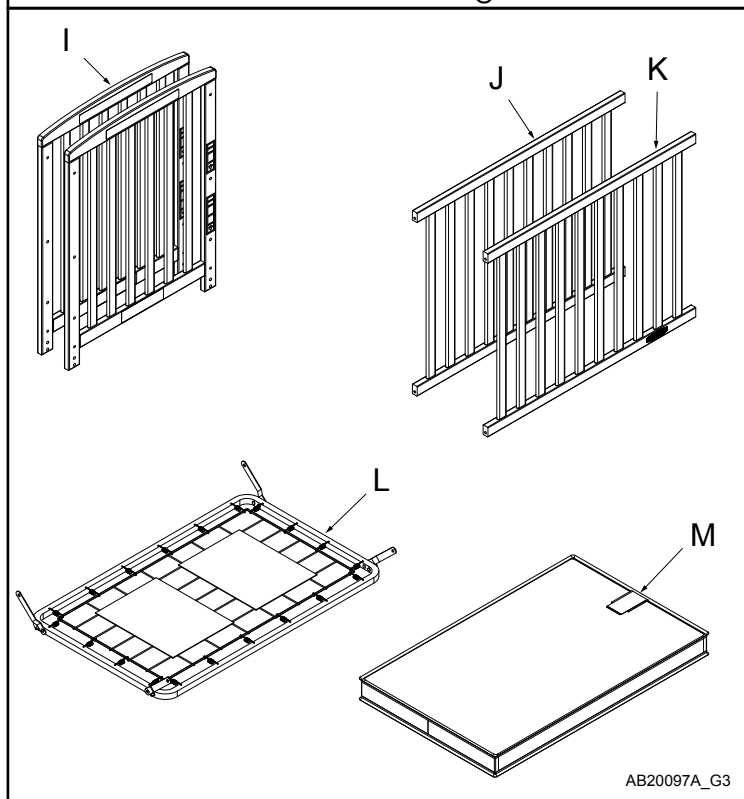
SUGGESTED TOOLS

#2 Medium Straight Screwdriver



AB20097A_G2

Hardware Package



AB20097A_G3

Crib Parts

Note: Do not discard spare parts as they may be used for other configurations.

STEP 1

Construct Back Assembly:

IMPORTANT SAFETY NOTICE: When assembling the crib, labels on the End Panels (I) MUST face toward the inside of the crib. If crib is assembled incorrectly, it could create an entrapment hazard between the mattress and the End Panels (I). Observe labeling to identify the inside face.

Align receiving holes in End Panel (I) with holes on Stationary Side (J). Place Joint Connector Nut (F) into hole in bottom of (J) at top and bottom rails. Insert Allen Bolt (B) into top and bottom holes. Rotate (F) as needed with straight screwdriver to align threads with bolt (B). Snug all bolts with Allen Wrench (A).

Repeat this step to attach opposite End Panel (I).

Tighten all bolts securely.

See Figure 1.

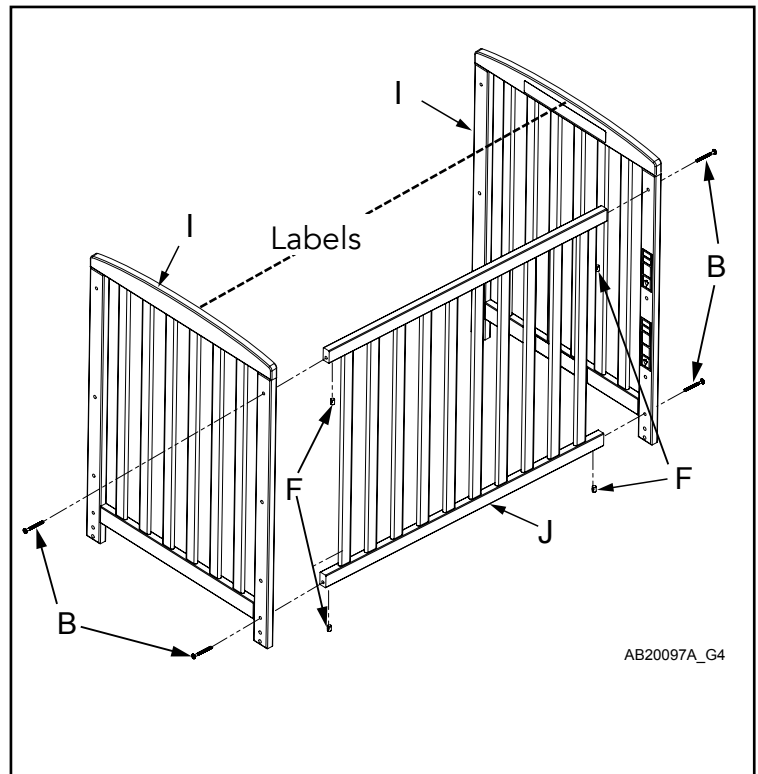


Figure 1

STEP 2

Install Spring assembly:

Rotate mounting arms on metal Spring (L) to approximately 45° angle (as shown).

Determine which mattress height will be used in the crib.

Note: If child is able to push up on hands and knees, set mattress to lowest position (Toddler Position 2).

Place Spring (L) with storage pouches on top into crib at height appropriate for intended child (1, 2). Secure mounting arms to End Panel (I) using Allen Bolts (C) and Connector Nuts (E) into all corner posts at same height holes. **Note:** Each Allen Head Bolt (C) has a friction enhancing patch applied to the threads which will cause some resistance during the tightening process.

Tighten all bolts securely with Allen Wrench (A). To adjust the height of the Spring (L), unthread the Allen Bolts (C) and move the Spring (L) to the other height shown in Figure 2. Then follow the above process to attach Spring (L) to the new location.

See Figure 2.

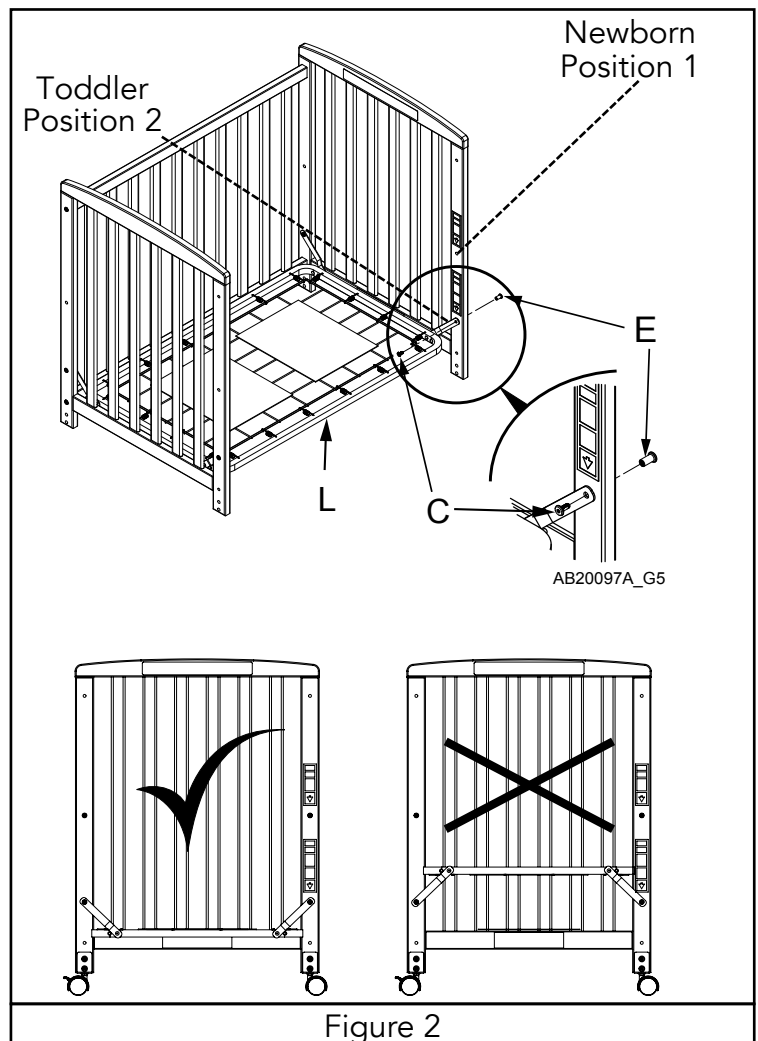


Figure 2

STEP 3

Construct Front Assembly:

Attach the remaining Stationary Side (K) to the opposite side of End Panels (I) using the same process described in Step 1. Refer to Figure 1 diagram.

STEP 4

Filling Empty Holes In End Panels:

Additional Allen Head Bolts (C) and Connector Nuts (E) are supplied to fill open holes in the End Panels to prevent possible finger entrapment of a child. There are 2 empty holes (one in each post) in each of End Panels (I) which can be used as a second possible height adjustment of the Mattress Support Assembly.

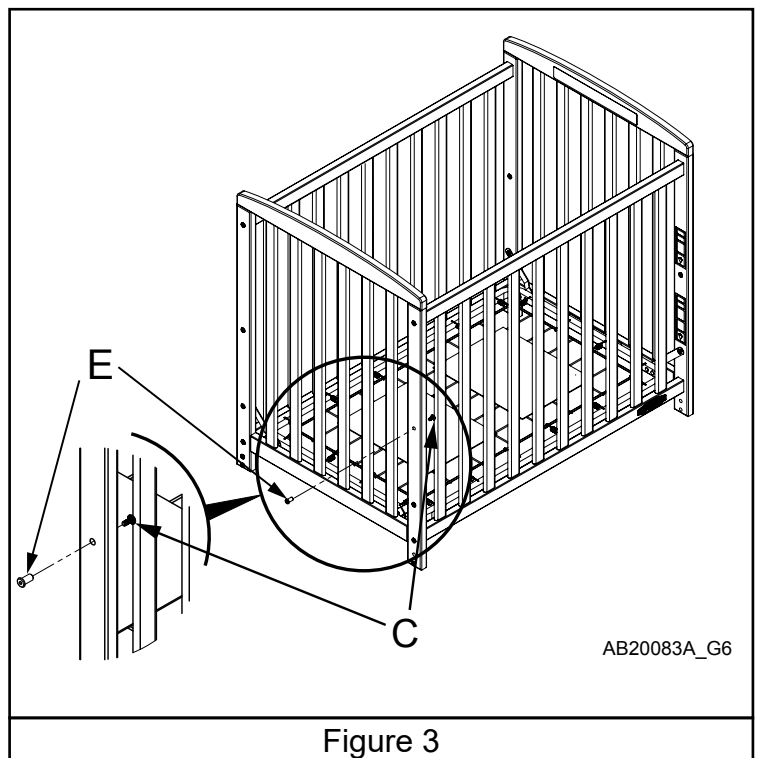
Use 1 Allen Head Bolt (C) and 1 Connector Nut (E) to fill each hole.

Insert Allen Head Bolt (C) from inside face and thread into Connector Nut (E) which will be installed from the outside face as shown.

Thread together and tighten using Allen Wrenches (A).

Insert Allen Head Bolts (C) and Connector Nuts (E) into all 4 empty holes.

See Figure 3.



STEP 5

Install Casters:

(2) Casters (G) which have a built in locking brake and
(2) Casters (H) which do not have a built in locking brake
are supplied with this crib.

Note: Install the (2) Casters with Locking Brake on same side of crib that Childcraft Logo on Stationary Side (K) is on.

Install Casters (G and H) by sliding attached mounting bracket over bottom end of each post on End Panels (I).

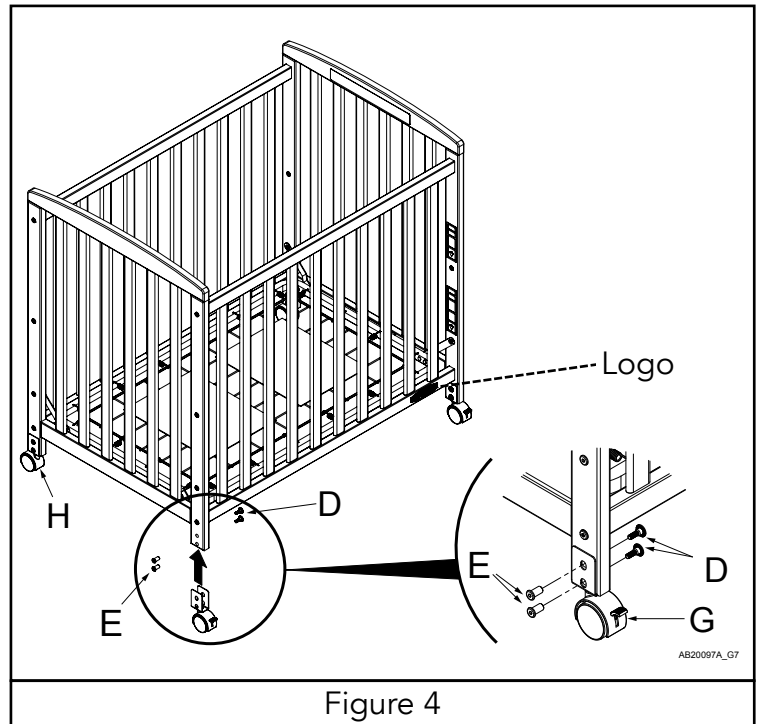
Attach each Caster (G and H) using (2) Allen Head Bolts (D) and (2) Connector Nuts (E) as shown.

Align holes in Caster bracket with hole in post and insert Allen Head Bolts (D) and Connector Nuts (E).

Once in the correct position, hold caster tightly against bottom of post, thread Allen Head Bolts (D) and Connector Nuts (E) together and tighten securely using Allen Wrenches (A).

Note: Each Allen Head Bolt (D) has a friction enhancing patch applied to the threads which will cause some resistance during the tightening process.

See Figure 4.



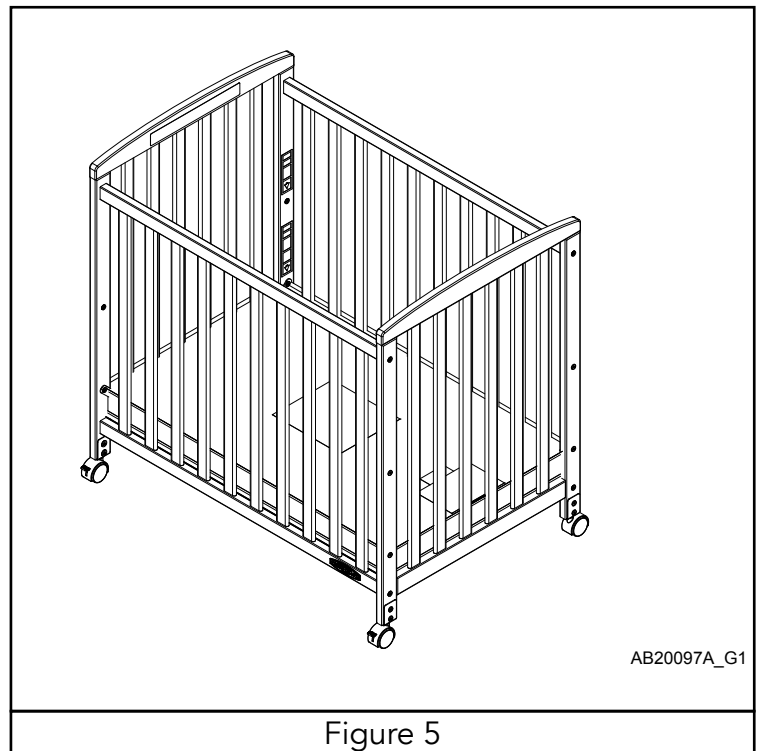
STEP 6

Install Mattress:

Insert Mattress (M) into crib.

This completes the assembly.

Refer to remaining areas on the following pages prior to use.



Maintenance Cleaning and Storage

MAINTENANCE:

Upon completion of the assembly, check to make sure all screws, bolts and connectors are tightened and secure.

Periodically check crib for damaged hardware, loose joints, missing parts or sharp edges before and after assembly and frequently during use.

DO NOT use crib if any parts are missing or broken. If any parts are missing, broken or you need assistance DO NOT return crib to your dealer. Call Child Craft at 330.723.0599 and include model identification numbers recorded on page 1. DO NOT substitute parts.

CLEANING:

Mix a mild solution of gentle dish washing soap and water, apply to surface using a clean cloth lightly dampened in the solution. Rinse well with clear water using a soft clean cloth, then dry all surfaces with a soft dry cloth. DO NOT use abrasive cleaners or any cleaners with harsh chemicals that would contact a child's skin, scouring pads, steel wool or coarse rags. This crib should be treated the same as any fine furniture.

STORAGE:

When storing crib use caution as extreme temperature or humidity changes could be harmful. Use caution when a vaporizer is in use. Always aim vapor stream away from crib as well as away from any wood furniture item.

After completing the assembly the user is advised to read and be aware of ALL WARNINGS, CAUTIONS, CLEANING, STORAGE USE AND MAINTENANCE notices in these directions and printed on the storage pouch on the crib spring. A printed pouch is attached to the crib spring for the permanent storage of the assembly directions. Please place the complete set of assembly directions into the pouch for future referral. We caution the user to not place excess hardware in the pouches as it could present danger to the child if retrieved.

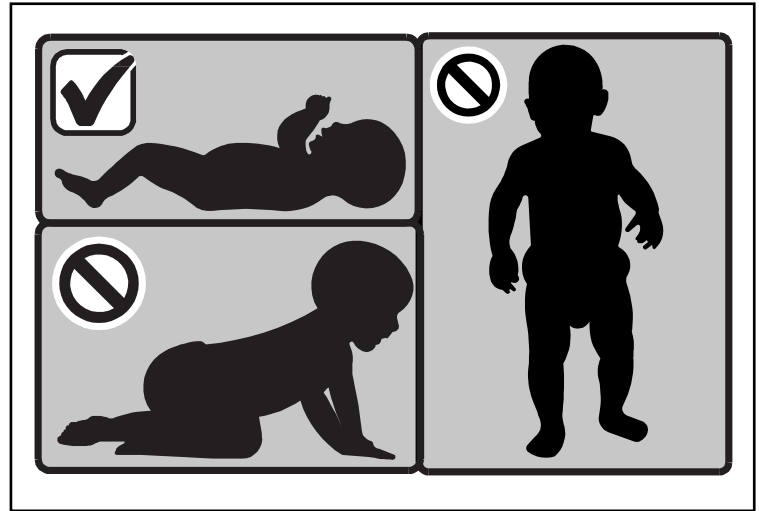
Mattress Support Adjustment

Crib has two (2) mattress height adjustment positions - Newborn Position and Toddler Position.

NEWBORN POSITION 1

WARNINGS

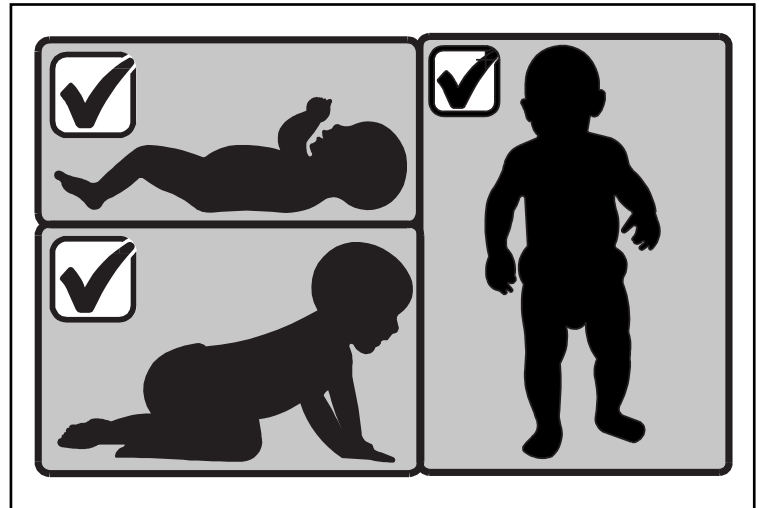
- The Newborn Position 1 is for use only with children that are not able to push up on their hands and knees.
- Set mattress to lowest adjustment position (Toddler Position 2) when child begins to push up on hands and knees or pull to a standing position, whichever occurs first. Remove bumper pads, large toys, and other objects that could serve as steps for climbing out.



TODDLER POSITION 2

WARNINGS

- Crib should not be used once child reaches maximum height allowed (refer to next page for maximum height of child).
- When child is able to push up on hands and knees remove bumper pads, large toys, and other objects that could serve as steps for climbing out.



WARNINGS

Failure to follow these warnings and the instructions could result in serious injury or death!

WARNING: Infants can suffocate.

- In gaps between a mattress too small or too thick and sides of crib.
- On soft bedding.
- NEVER add a mattress, pillow, comforter or padding.
- The crib, including side rails, must be fully erected prior to use.
- Strings can cause strangulation! NEVER place items with a string around a child's neck such as hood strings or pacifier cords. NEVER suspend strings over crib or attach strings to toys.
- Discontinue use of the crib when child is able to climb out or reaches the height of 35 inches (89 cm).
- Child can become entrapped and die when improvised netting or covers are placed on top of product. NEVER add such items to confine child in product.
- Set mattress to lowest adjustment position (Toddler Position 2) when child begins to push up on hands and knees or pull to a standing position, whichever occurs first. Remove bumper pads, large \ toys, and other objects that could serve as steps for climbing out.
- NEVER place crib near window where cords from blinds or drapes can strangle a child.
- Replace teething rail if damaged, cracked or loose (if equipped with teething rails).
- Use ONLY the mattress provided by the manufacturer (which must be at least 37-3/4 inches (96 cm) long by 23-3/4 inches (60.4 cm) wide and not more than 3 inches (7.6 cm) thick.
- Always provide the supervision necessary for the continued safety of your child. When used for playing, NEVER leave child unattended.
- To reduce the risk of SIDS, pediatricians recommend healthy infants be placed on their back to sleep, unless otherwise advised by your physician.
- NEVER use this product if there are any loose or missing fasteners, loose joints, broken parts, or torn mesh/fabric. Check before assembly and periodically during use. Contact Child Craft for replacement parts. Never substitute parts.
- NEVER use plastic shipping bags or other plastic film as mattress covers not sold and intended for that purpose. They can cause suffocation.
- NEVER use a water mattress with this crib.
- If refinishing, use a non-toxic finish specified for children's products.
- DO NOT use crib near objects that child could reach or pull into crib and cause injury such as lamps, heaters, fireplaces, or ironing boards.
- To avoid injuries, do not allow children to climb or play on or under the crib.

**Meets CPSC
Safety Requirements**